



US00D736011S

(12) **United States Design Patent**
Fresonke et al.

(10) **Patent No.:** **US D736,011 S**

(45) **Date of Patent:** **** Aug. 11, 2015**

(54) **BODY PILLOW AND PILLOWCASE**

FOREIGN PATENT DOCUMENTS

(71) Applicant: **FA Invent, LLC**, Oklahoma City, OK
(US)

WO WO 2010/083117 7/2010

* cited by examiner

(72) Inventors: **Anna Christine Fresonke**, Oklahoma City, OK (US); **Fred Jay Donley**, Oklahoma City, OK (US)

Primary Examiner — Janice Seeger

(74) *Attorney, Agent, or Firm* — Dunlap Coddling, P.C.

(73) Assignee: **FA Invent, LLC**, Oklahoma City, OK
(US)

(57) **CLAIM**

The ornamental design for a body pillow and pillowcase, as shown and described.

(**) Term: **14 Years**

(21) Appl. No.: **29/449,183**

DESCRIPTION

(22) Filed: **Mar. 14, 2013**

(51) **LOC (10) Cl.** **06-09**

(52) **U.S. Cl.**
USPC **D6/601**

(58) **Field of Classification Search**
USPC D6/595, 596, 601, 489-491; 5/630,
5/636-638, 643, 633, 652, 652.1,
5/653-655, 655.9, 656, 657
See application file for complete search history.

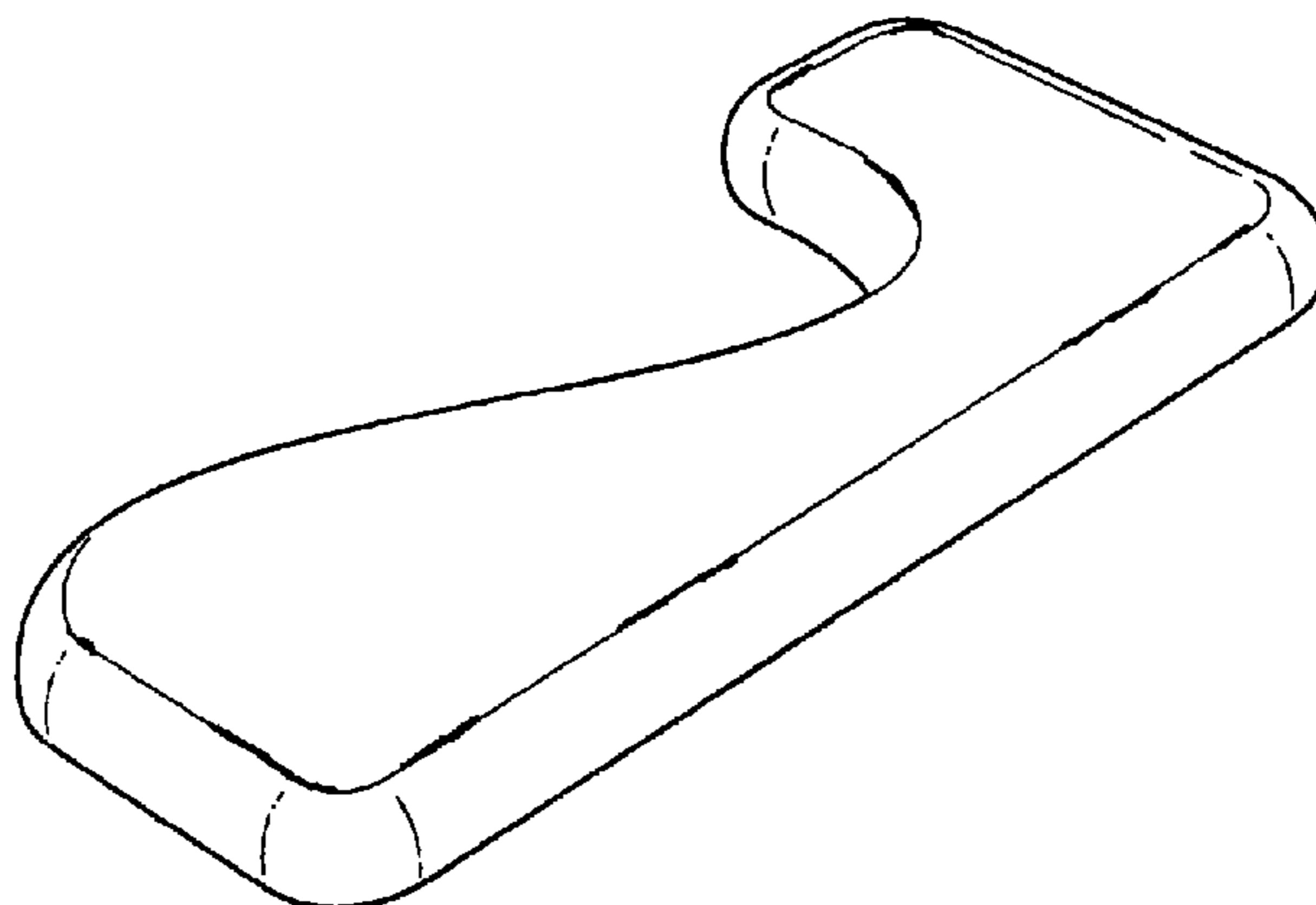
(56) **References Cited**

U.S. PATENT DOCUMENTS

| | | | | | | |
|--------------|----|---|---------|------------------------|-------|--------|
| D192,558 | S | * | 4/1962 | Barker | | D6/601 |
| D201,492 | S | * | 6/1965 | Jacobson | | D6/601 |
| 5,097,551 | A | | 3/1992 | Smith | | |
| D382,435 | S | | 8/1997 | Schaffner et al. | | |
| 5,987,674 | A | | 11/1999 | Schaffner et al. | | |
| D419,819 | S | * | 2/2000 | Bartoli | | D6/601 |
| 6,095,894 | A | | 8/2000 | Stevens | | |
| D431,745 | S | * | 10/2000 | Jackson | | D6/601 |
| D453,653 | S | * | 2/2002 | Tunnell | | D6/601 |
| 6,751,817 | B1 | | 6/2004 | Leach | | |
| D493,324 | S | * | 7/2004 | Rodgers | | D6/601 |
| 6,874,183 | B1 | | 4/2005 | Taylor | | |
| 7,000,273 | B2 | | 2/2006 | Rivera-Wienhold et al. | | |
| 7,089,614 | B1 | | 8/2006 | Clapp | | |
| 7,472,443 | B2 | | 1/2009 | Littlehorn et al. | | |
| 7,793,371 | B1 | | 9/2010 | Leach | | |
| D666,861 | S | * | 9/2012 | Phillips | | D6/601 |
| 2006/0174413 | A1 | | 8/2006 | Takehashi | | |

FIG. 1 is a perspective view of a body pillow and pillowcase, showing our new design;
 FIG. 2 is a perspective view thereof;
 FIG. 3 is a top plan view thereof;
 FIG. 4 is a front elevational view thereof;
 FIG. 5 is a right side elevational view, the left side being a mirror image thereof;
 FIG. 6 is a rear elevational view thereof;
 FIG. 7 is a bottom plan view thereof;
 FIG. 8 is a perspective view showing a second embodiment of the pillowcase;
 FIG. 9 is a top plan view thereof;
 FIG. 10 is a front elevational view thereof;
 FIG. 11 is a right side elevational view, the left side being a mirror image thereof;
 FIG. 12 is a rear elevational view thereof;
 FIG. 13 is a bottom plan view thereof;
 FIG. 14 is a perspective view showing a third embodiment of the pillowcase;
 FIG. 15 is a top plan view thereof;
 FIG. 16 is a front elevational view thereof;
 FIG. 17 is a right side elevational view, the left side being a mirror image thereof;
 FIG. 18 is a rear elevational view thereof; and,
 FIG. 19 is a bottom plan view thereof.
 The broken lines showing the human are for environmental purposes only and form no part of the claimed design.

1 Claim, 7 Drawing Sheets



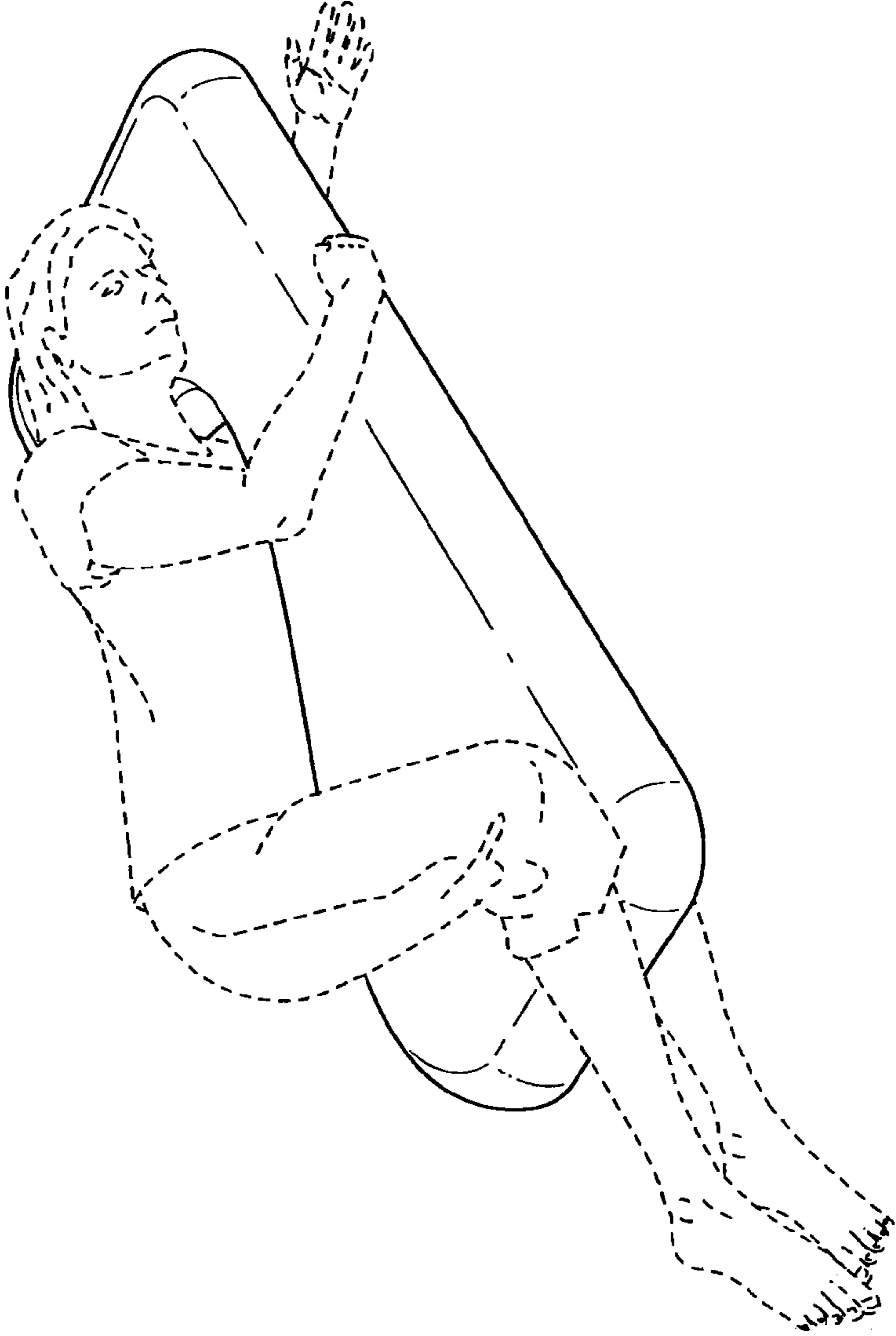


FIG. 1

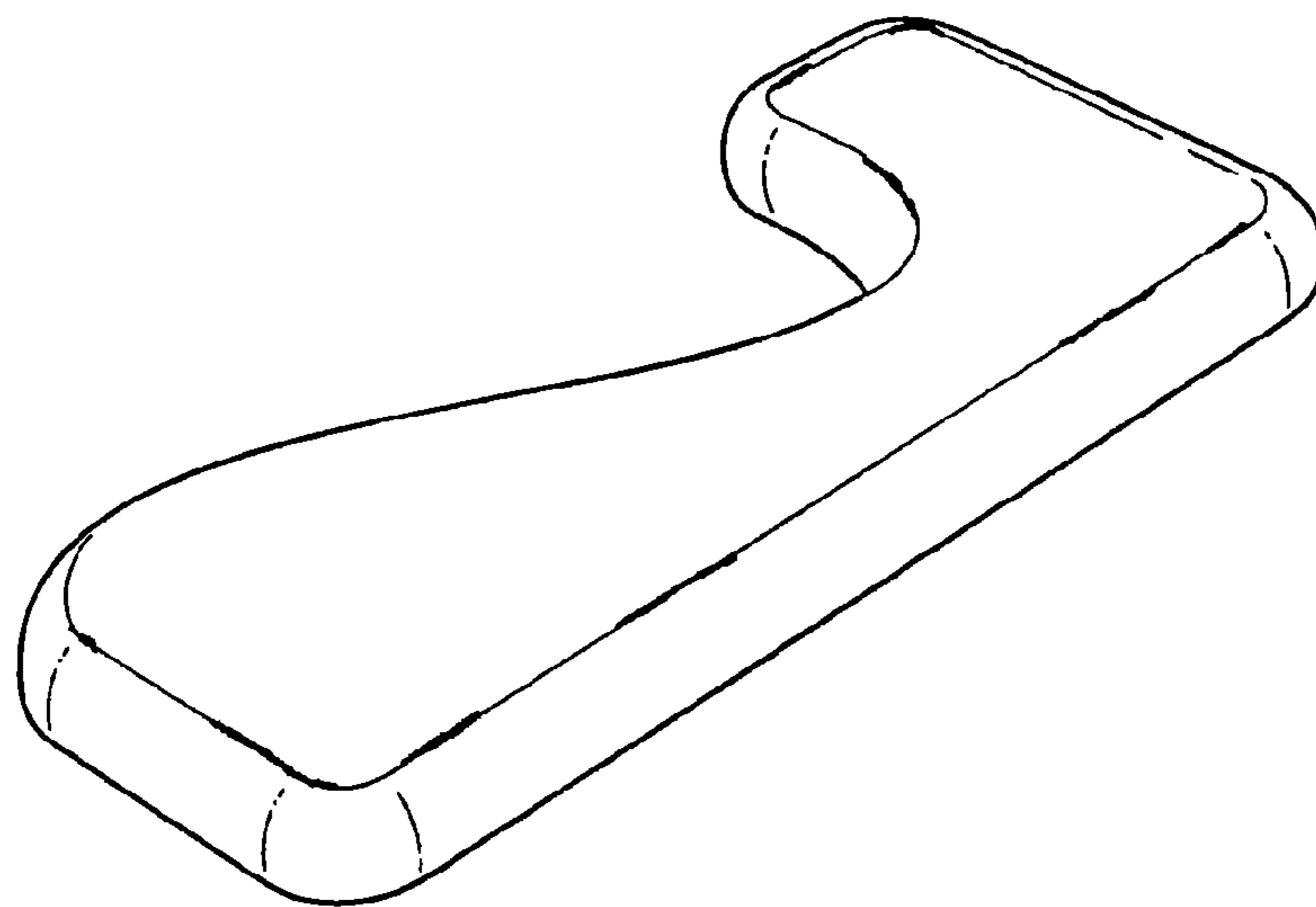


FIG. 2

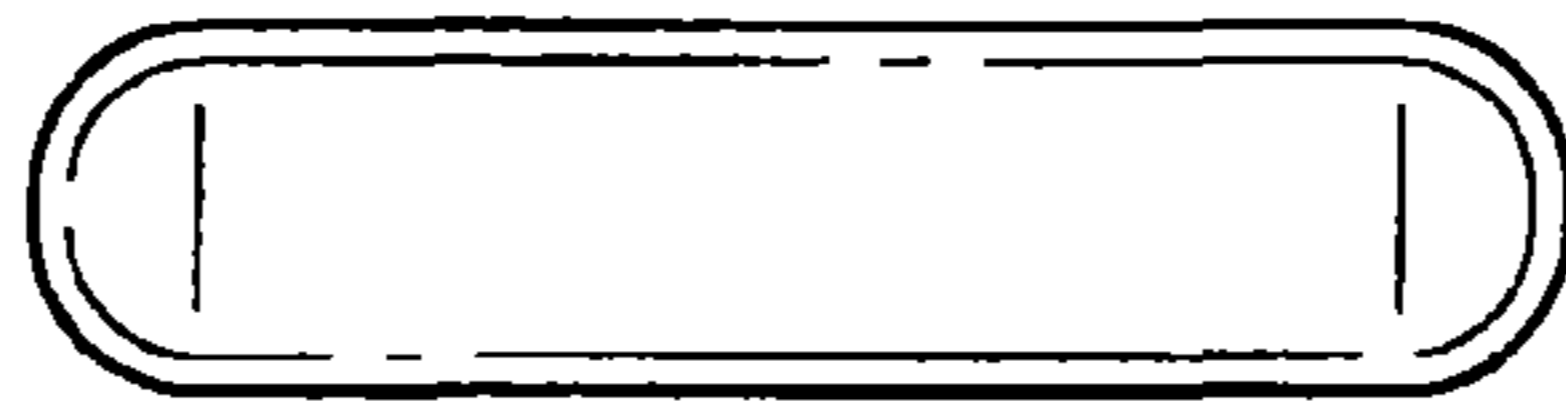


FIG. 3

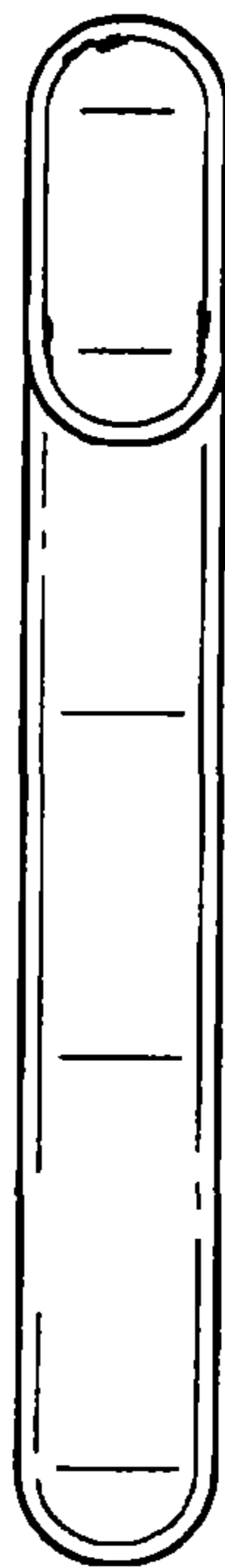


FIG. 4

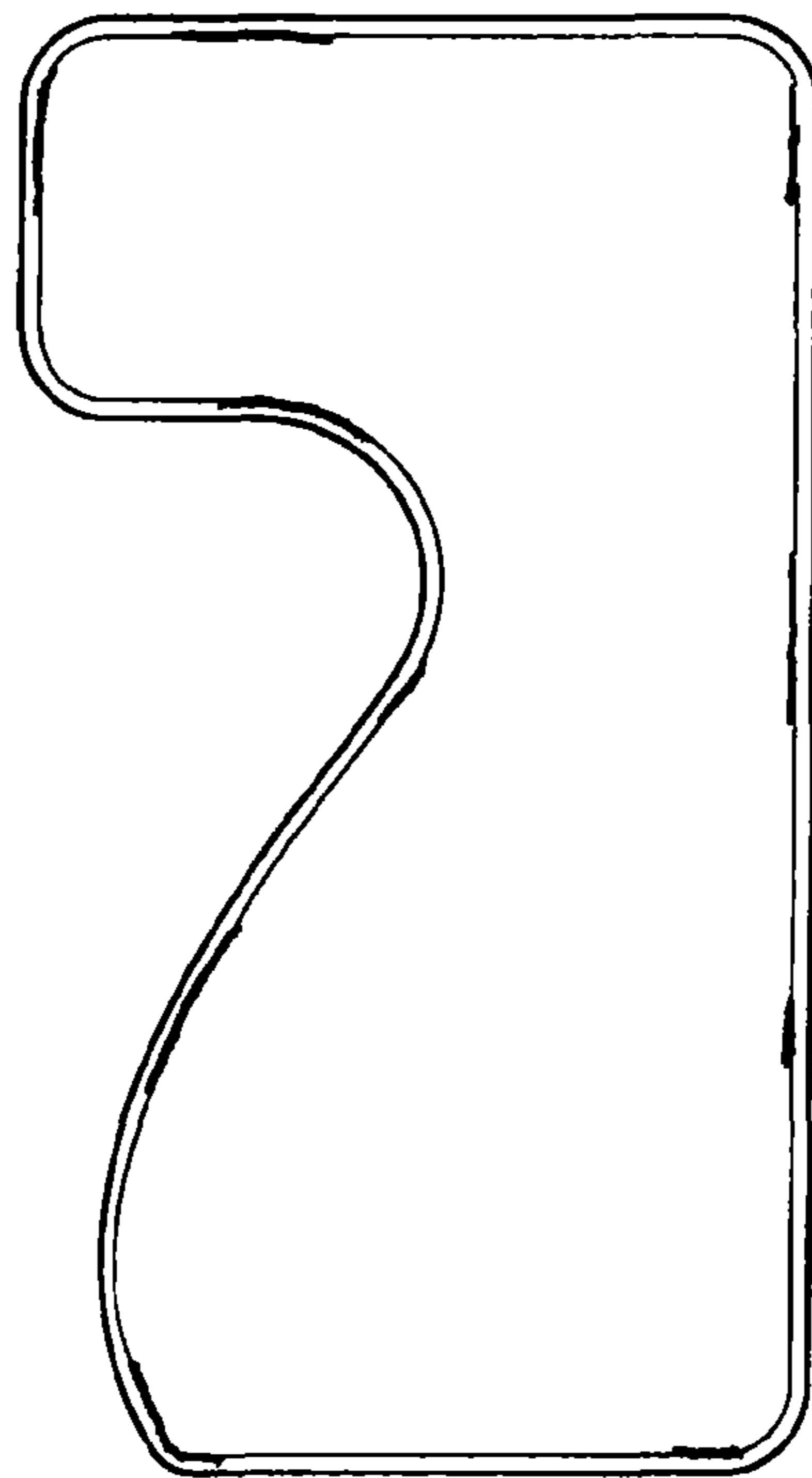


FIG. 5

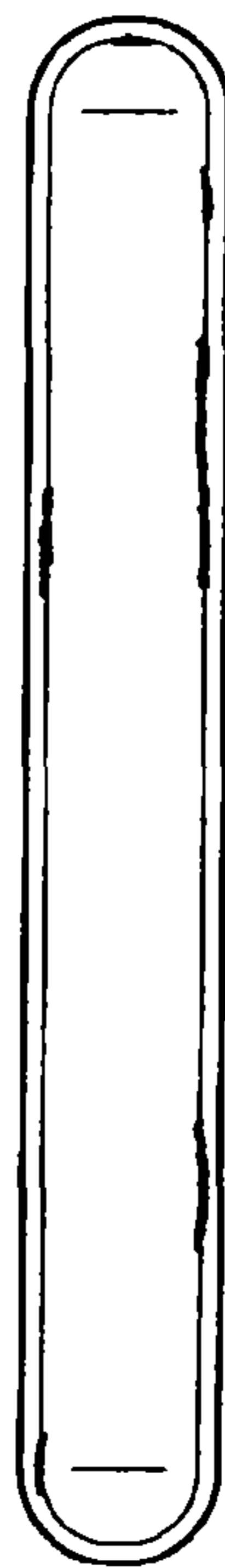


FIG. 6

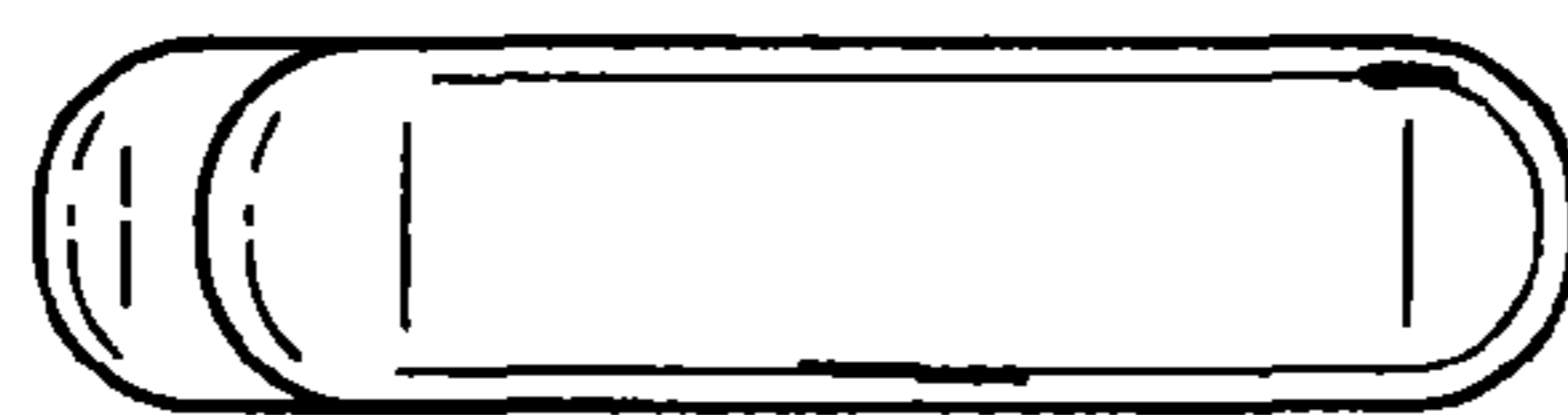


FIG. 7

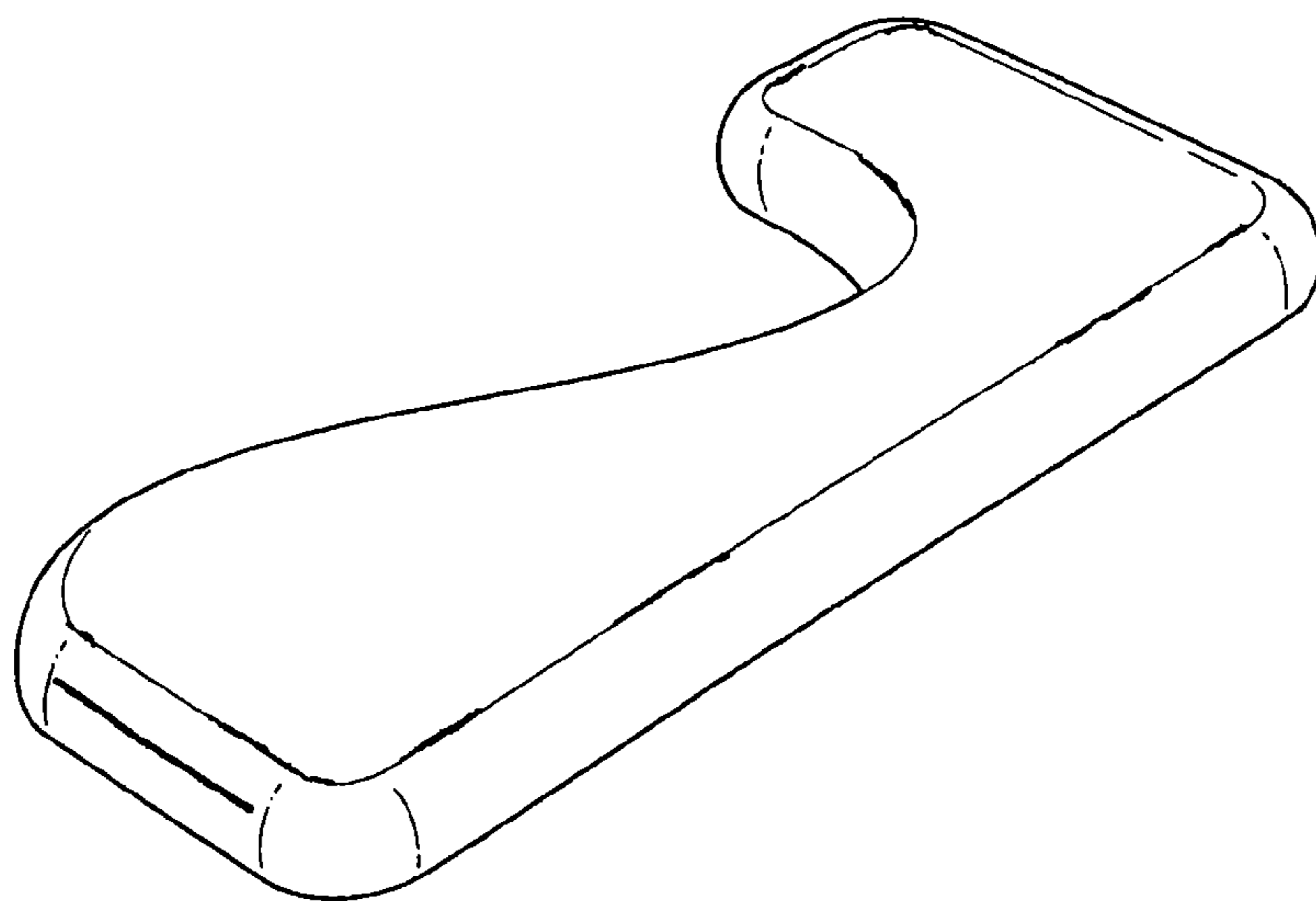


Fig. 8

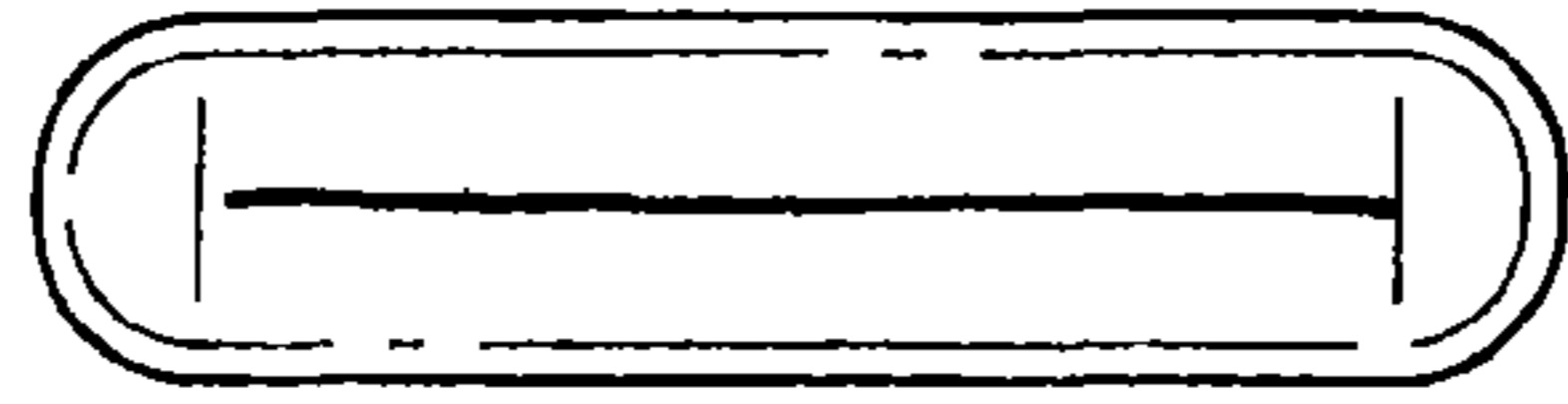


Fig. 9

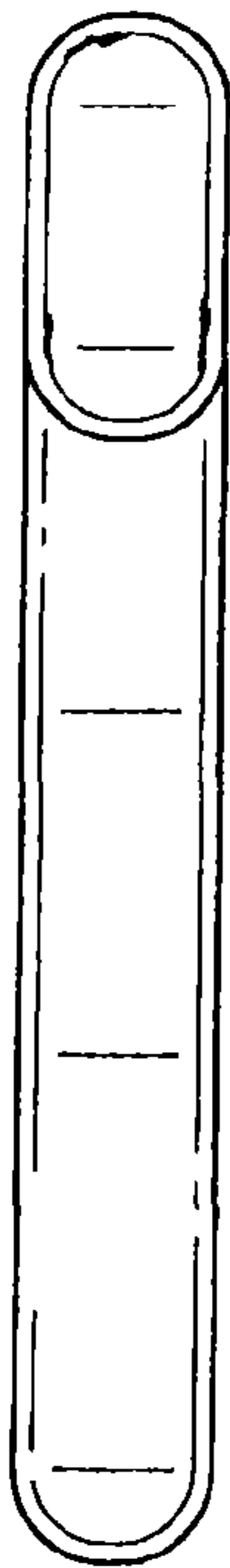


Fig. 10

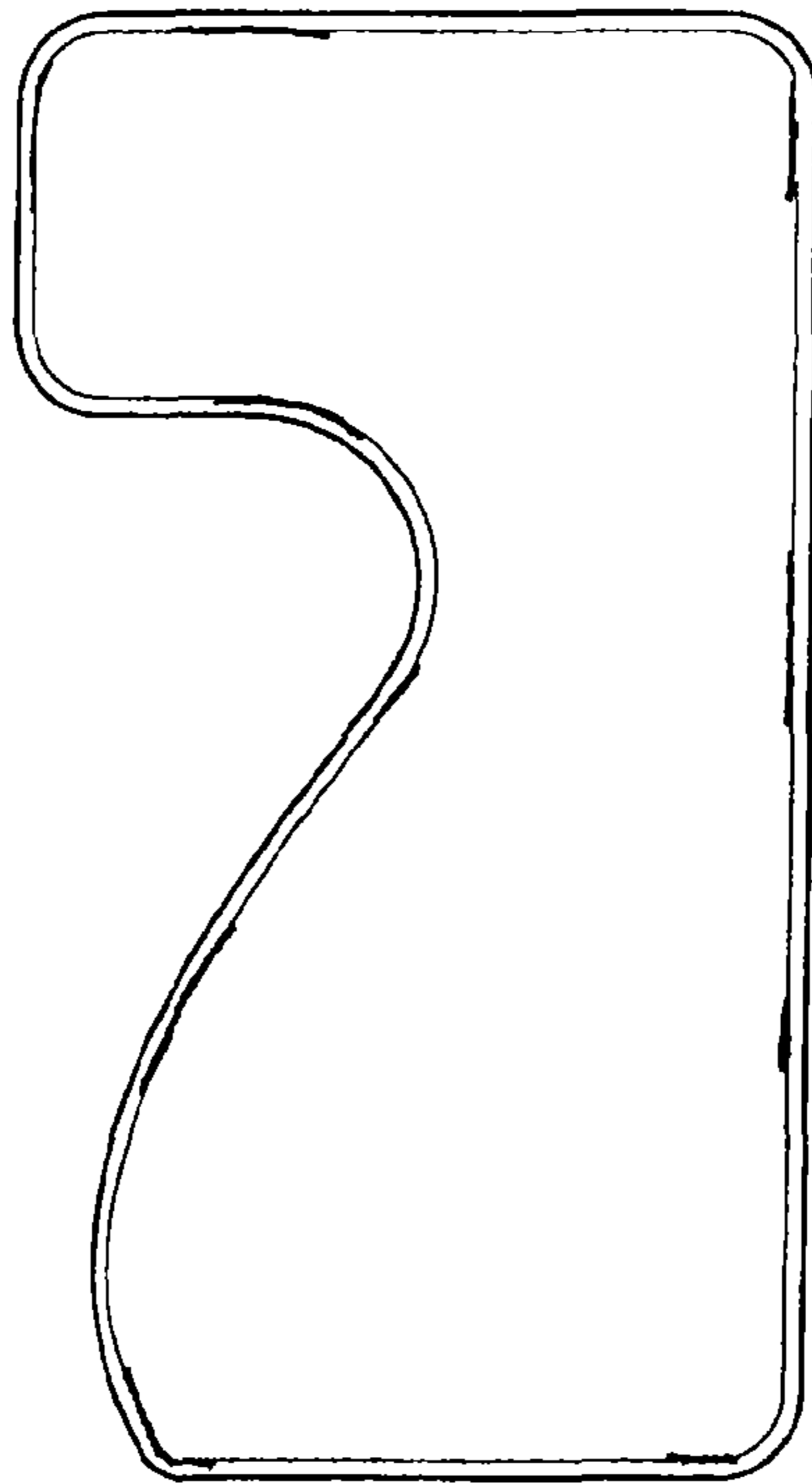


Fig. 11

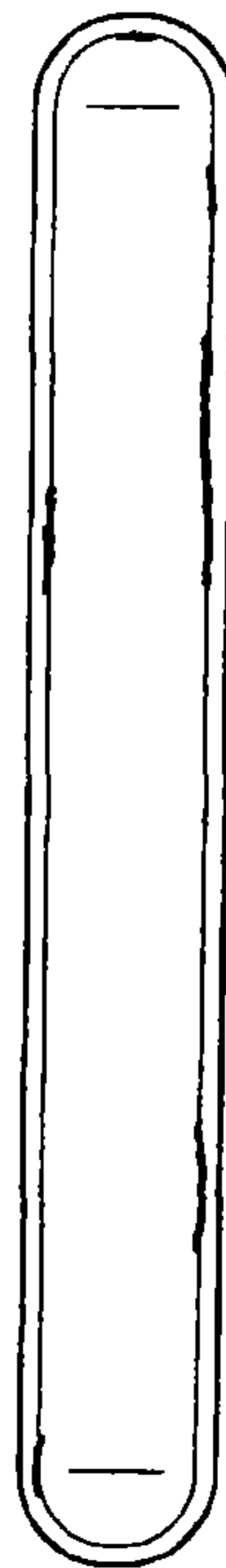


Fig. 12

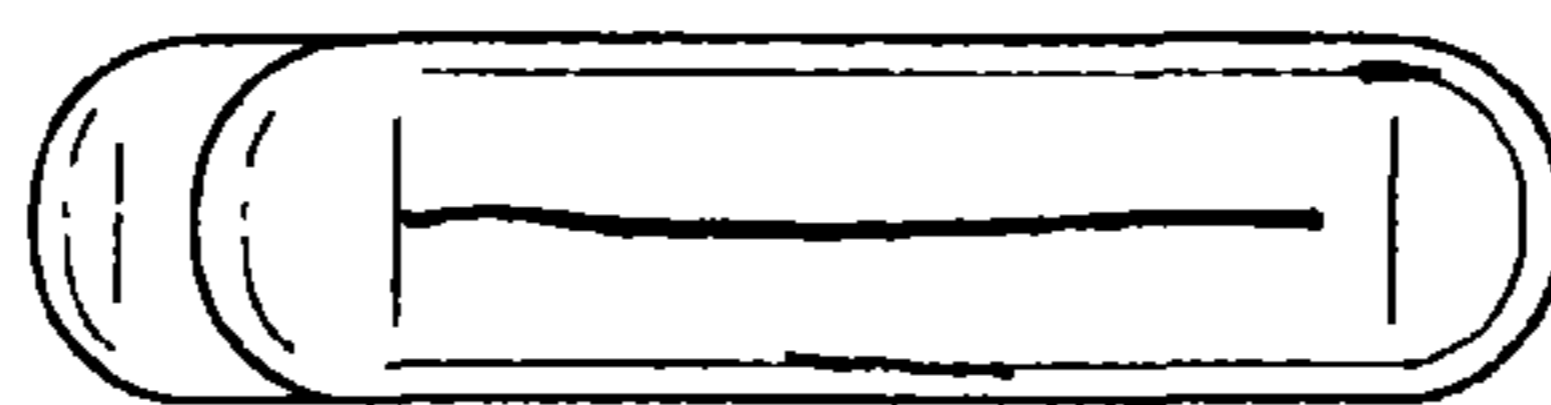


Fig. 13

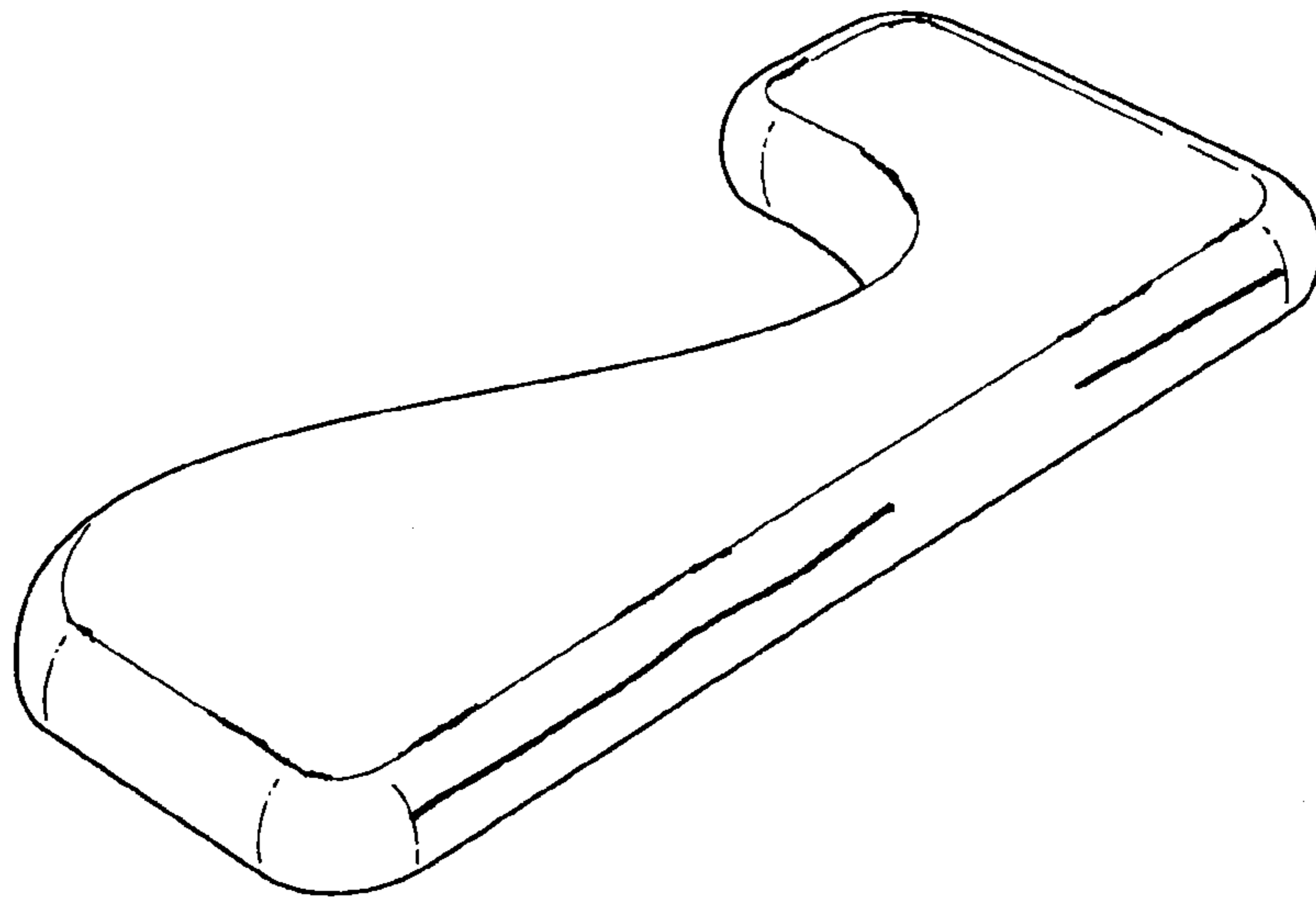


Fig. 14

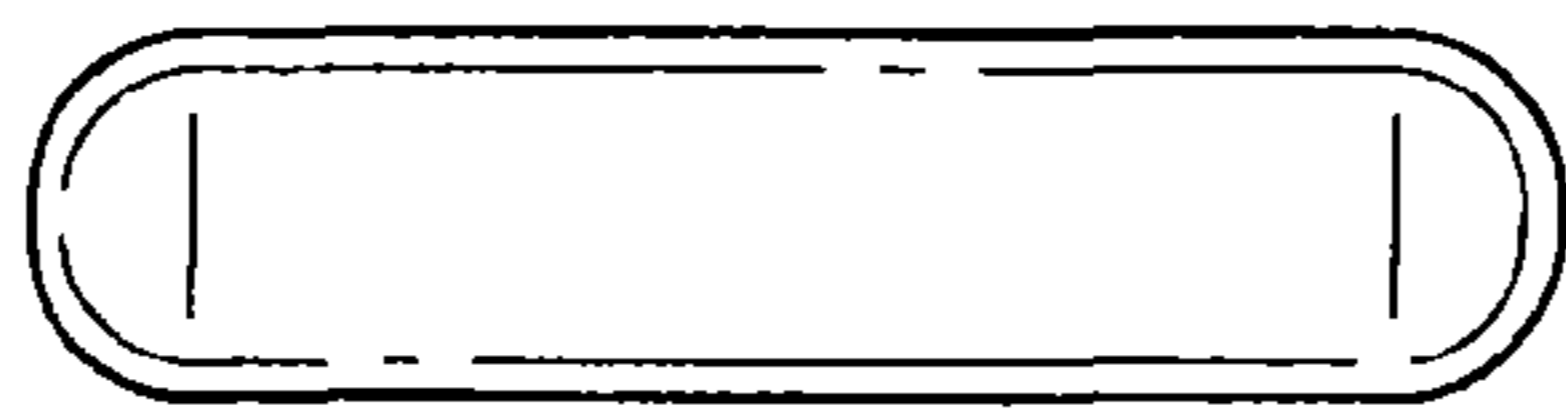


Fig. 15

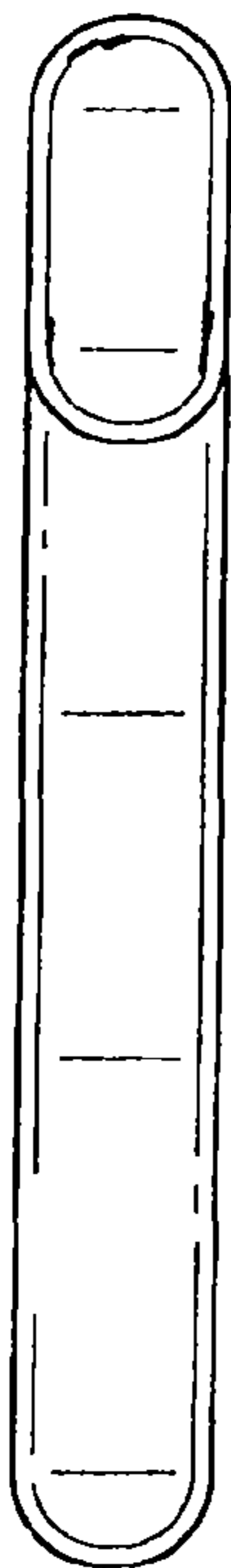


Fig. 16

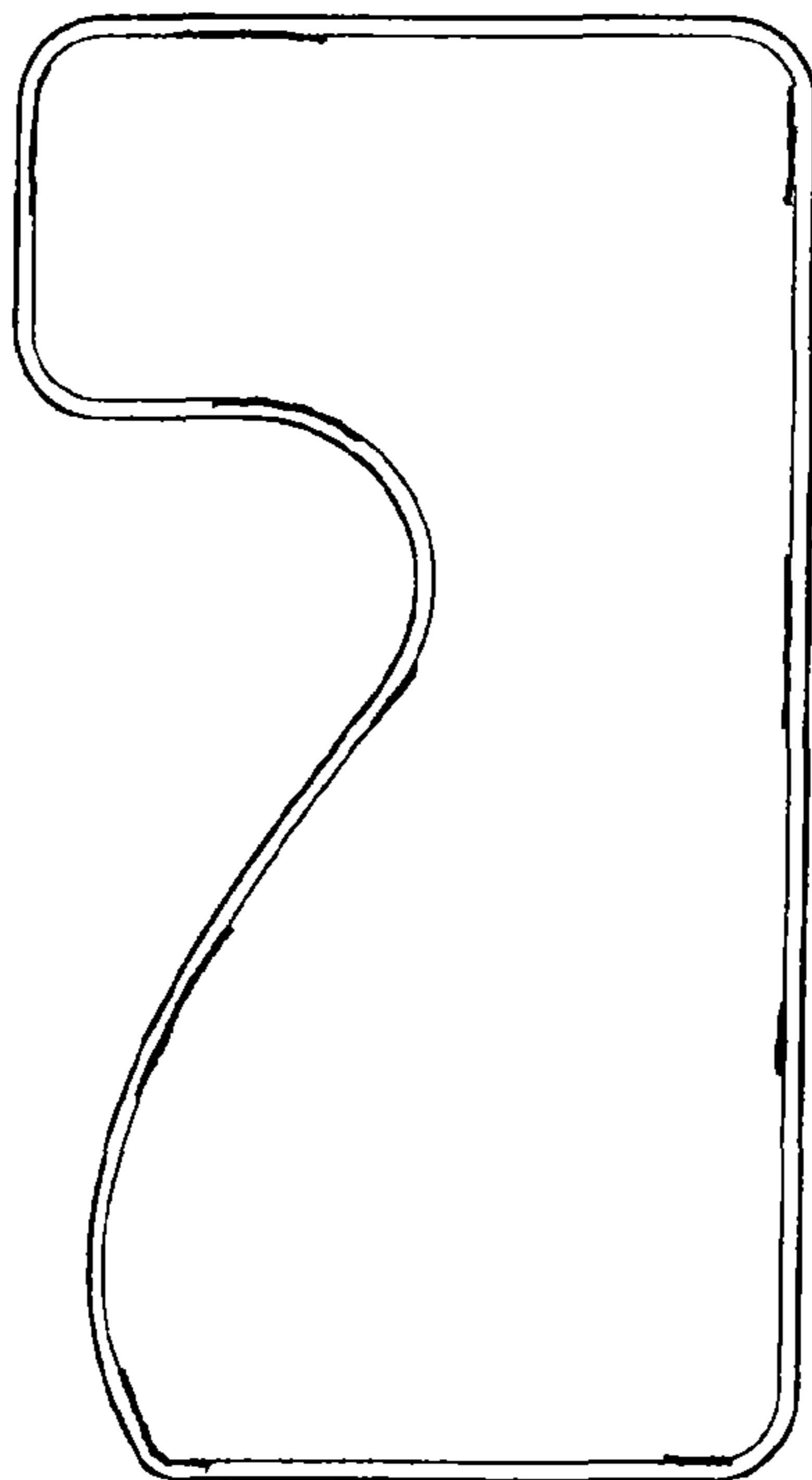


Fig. 17

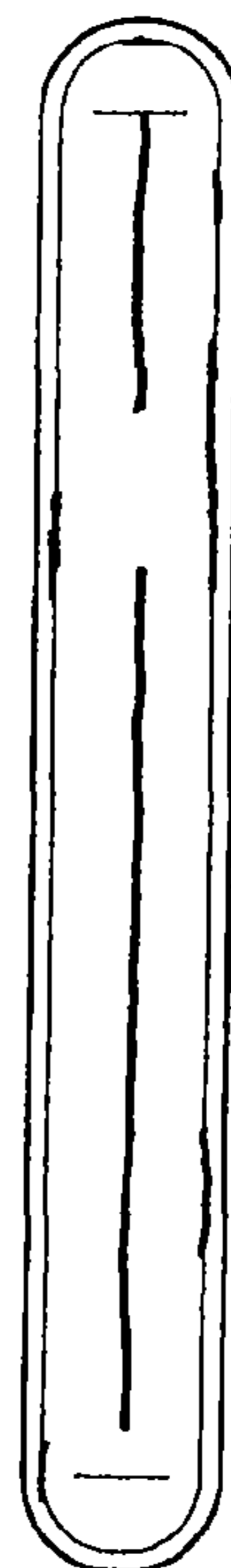


Fig. 18

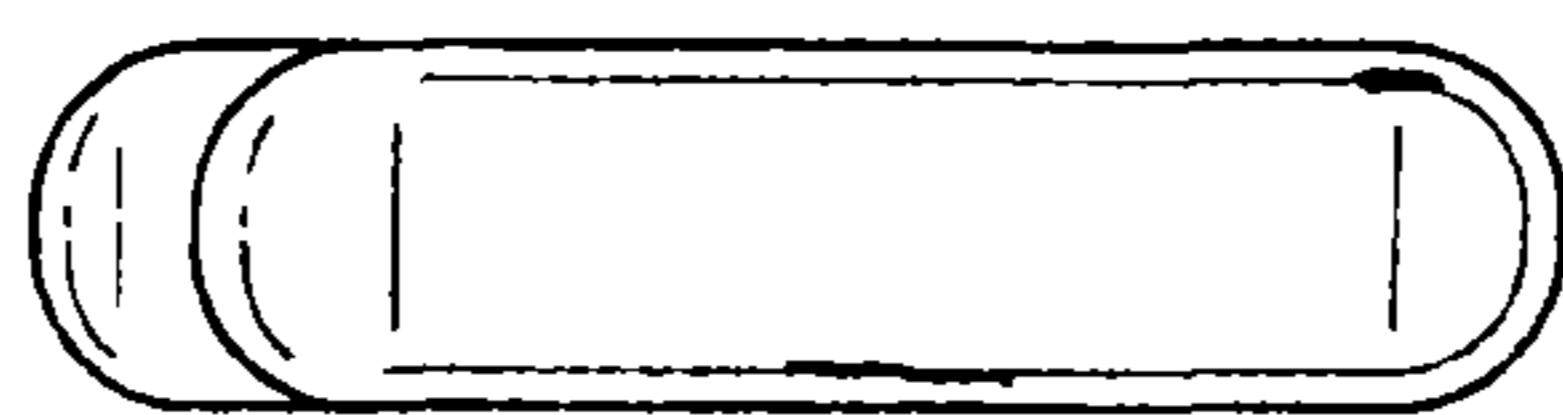


Fig. 19