

US00D736009S

(12) **United States Design Patent**
Berry et al.

(10) **Patent No.:** **US D736,009 S**
(45) **Date of Patent:** **** Aug. 11, 2015**

(54) **SEATING FOR A TRANSPORT VEHICLE**

(71) Applicant: **Etihad Airways**, Abu Dhabi (AE)

(72) Inventors: **Adrian Berry**, London (GB); **Adam White**, London (GB); **Matthew Fiddimore**, London (GB); **Nigel Lawson**, Sevenoaks (GB); **Anthony Harcup**, Surrey (GB)

(73) Assignee: **Etihad Airways**, Abu Dhabi (AE)

(**) Term: **14 Years**

(21) Appl. No.: **29/469,792**

(22) Filed: **Oct. 15, 2013**

(30) **Foreign Application Priority Data**

Apr. 15, 2013 (EM) 002220285

(51) **LOC (10) Cl.** **06-01**

(52) **U.S. Cl.**
USPC **D6/381; D6/356**

(58) **Field of Classification Search**
USPC D6/335, 336, 337, 338, 640, 643, 643.1,
D6/644, 406.1, 406.2, 406.3, 356, 334,
D6/381; D12/318, 345; D25/16
CPC A47C 17/00; A47C 17/02; A47C 17/12;
A47C 17/18; A47C 7/021; A47C 31/00;
A47C 3/16
See application file for complete search history.

(56) **References Cited**

U.S. PATENT DOCUMENTS

D244,069 S * 4/1977 Summer D6/371
D260,823 S * 9/1981 Stulik, Jr. D6/335
D401,078 S * 11/1998 Relling D6/381
6,089,660 A * 7/2000 Sproule 297/232
D485,687 S * 1/2004 Natuzzi D6/334
D499,261 S * 12/2004 Ricci D6/381
D515,334 S * 2/2006 Natuzzi D6/381

D527,541 S * 9/2006 Natuzzi D6/381
D541,064 S * 4/2007 Miller et al. D6/367
D551,869 S * 10/2007 Zambelli D6/367
D602,704 S * 10/2009 Tierney D6/367
D609,026 S * 2/2010 Griepentrog et al. D6/381
D641,074 S * 7/2011 Wu D23/366

(Continued)

OTHER PUBLICATIONS

<http://www.news.com.au/travel/crystal-cabin-awards-include-a-toilet-for-big-bottoms-on-planes/story-e6frfg74-1226614014188>, Apr. 7, 2013, 4 pgs.

(Continued)

Primary Examiner — Sandra Snapp

(74) *Attorney, Agent, or Firm* — Fredrikson & Byron, P.A.

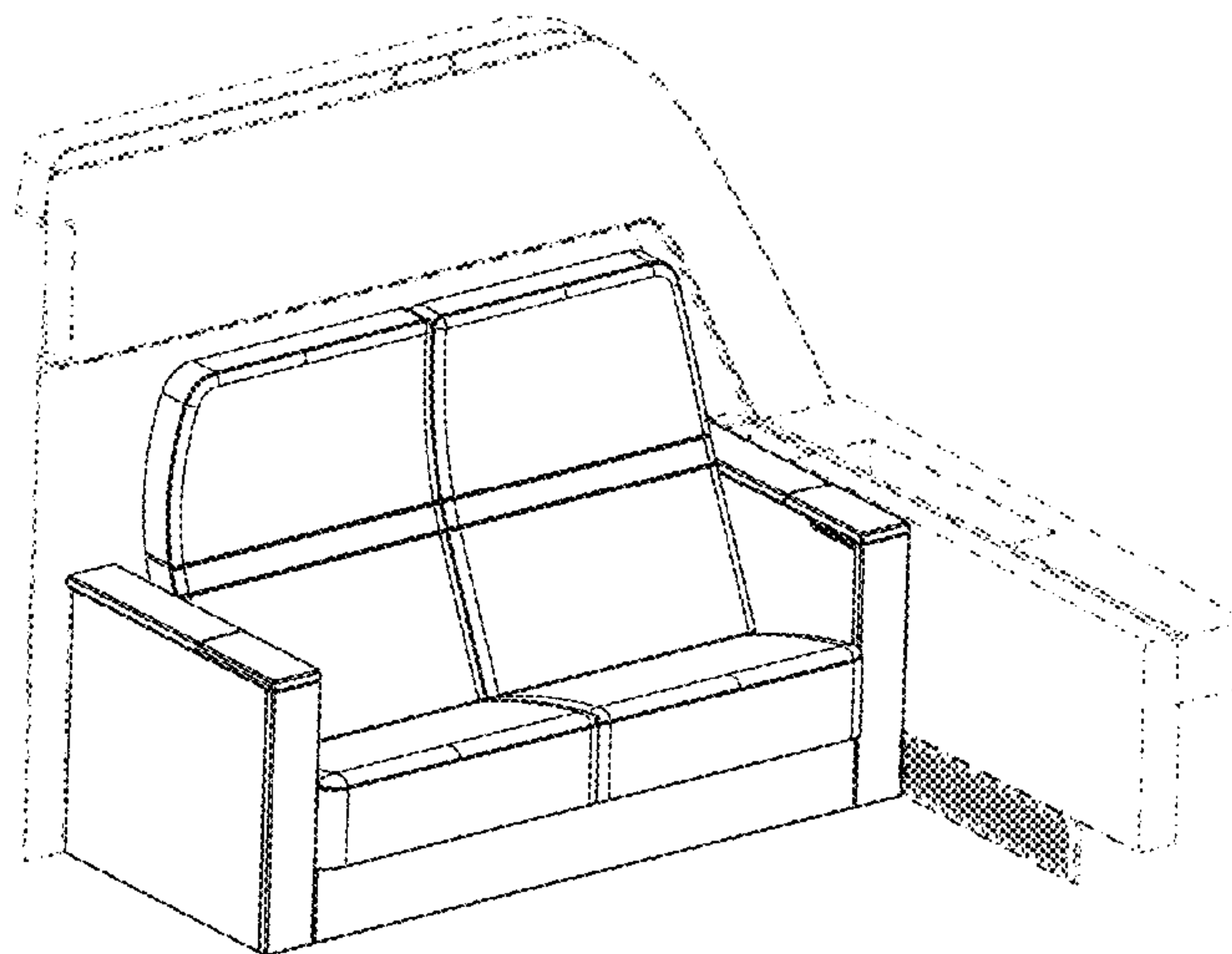
(57) **CLAIM**

We claim the ornamental design for a seating for a transport vehicle, as shown and described.

DESCRIPTION

FIG. 1 is a top perspective of our new design for a seating for a transport vehicle in an upright configuration;
FIG. 2 is another top perspective view thereof;
FIG. 3 is a top view thereof;
FIG. 4 is a bottom view thereof;
FIG. 5 is a front view thereof;
FIG. 6 is a rear view thereof;
FIG. 7 is a side view thereof;
FIG. 8 is an opposite side view thereof;
FIG. 9 is a top perspective of our new design for a seating for a transport vehicle in a reclined configuration;
FIG. 10 is a top view thereof;
FIG. 11 is a bottom view thereof;
FIG. 12 is a front view thereof;
FIG. 13 is a rear view thereof;
FIG. 14 is a side view thereof; and,
FIG. 15 is an opposite side view thereof.
The broken lines form no part of the claimed design.

1 Claim, 15 Drawing Sheets



(56)

References Cited

OTHER PUBLICATIONS

U.S. PATENT DOCUMENTS

D654,708 S *	2/2012	Figueras Mitjans	D6/336
D675,844 S *	2/2013	Cramer et al.	D6/381
D677,494 S *	3/2013	Digirolamo	D6/381
D680,771 S *	4/2013	Spoelhof et al.	D6/381
D680,772 S *	4/2013	Lade	D6/381

<http://acumen-da.com/history/>—see “Jamco concept,” 2004, 2 pgs.

A Sep. 2006 issue of Aircraft Interiors 2006, 1 pg.

* cited by examiner

FIG. 1

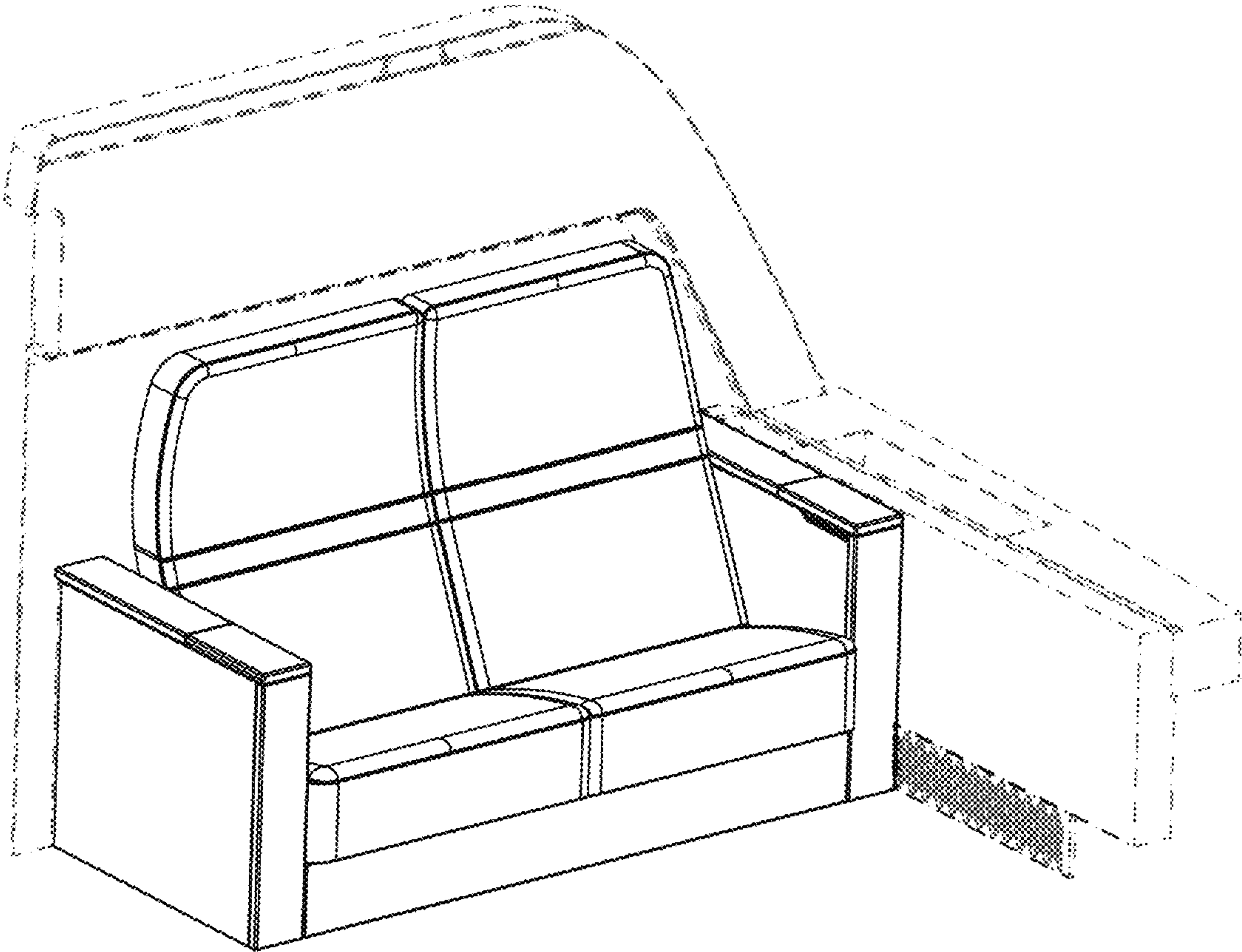


FIG. 2

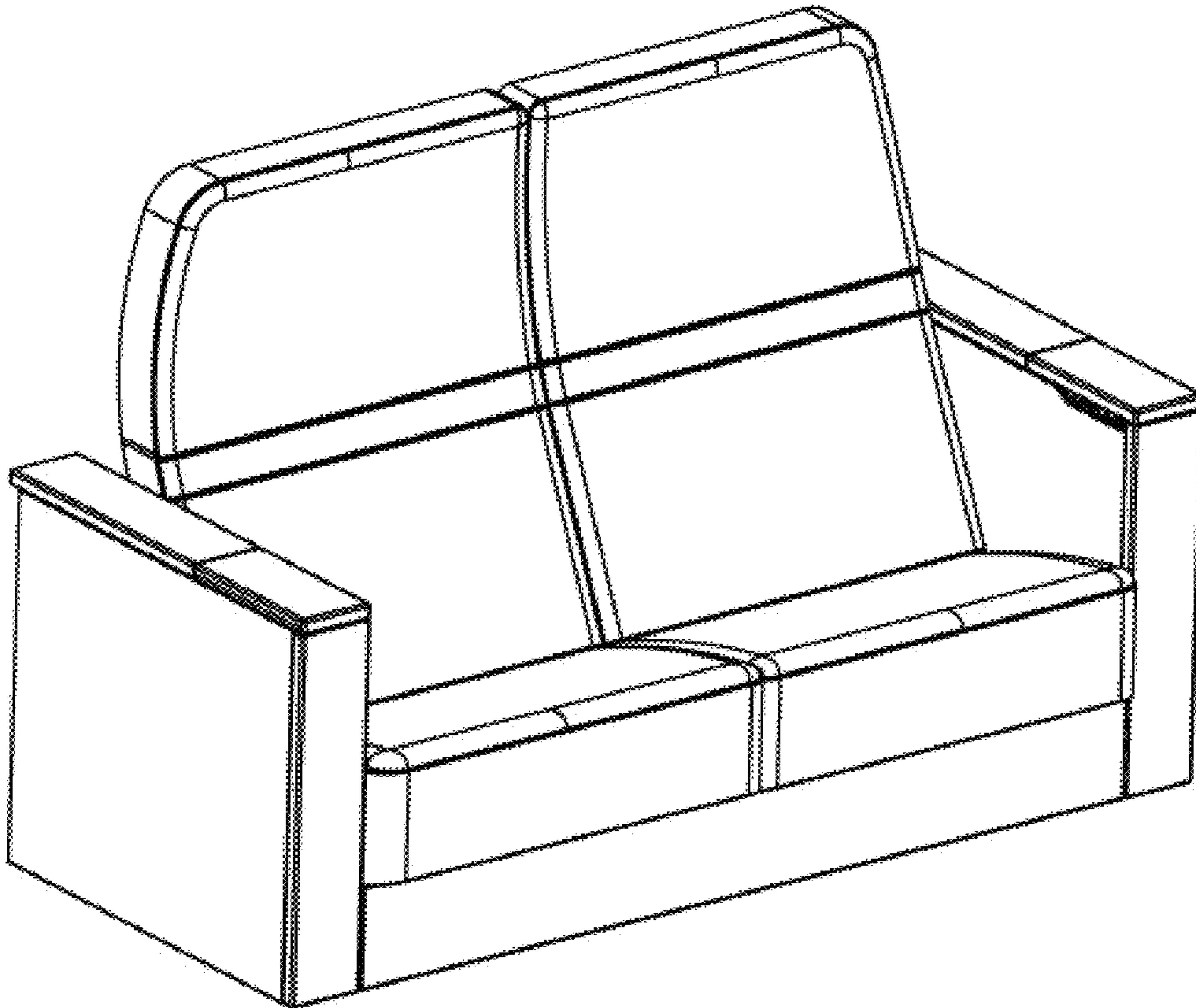


FIG. 3

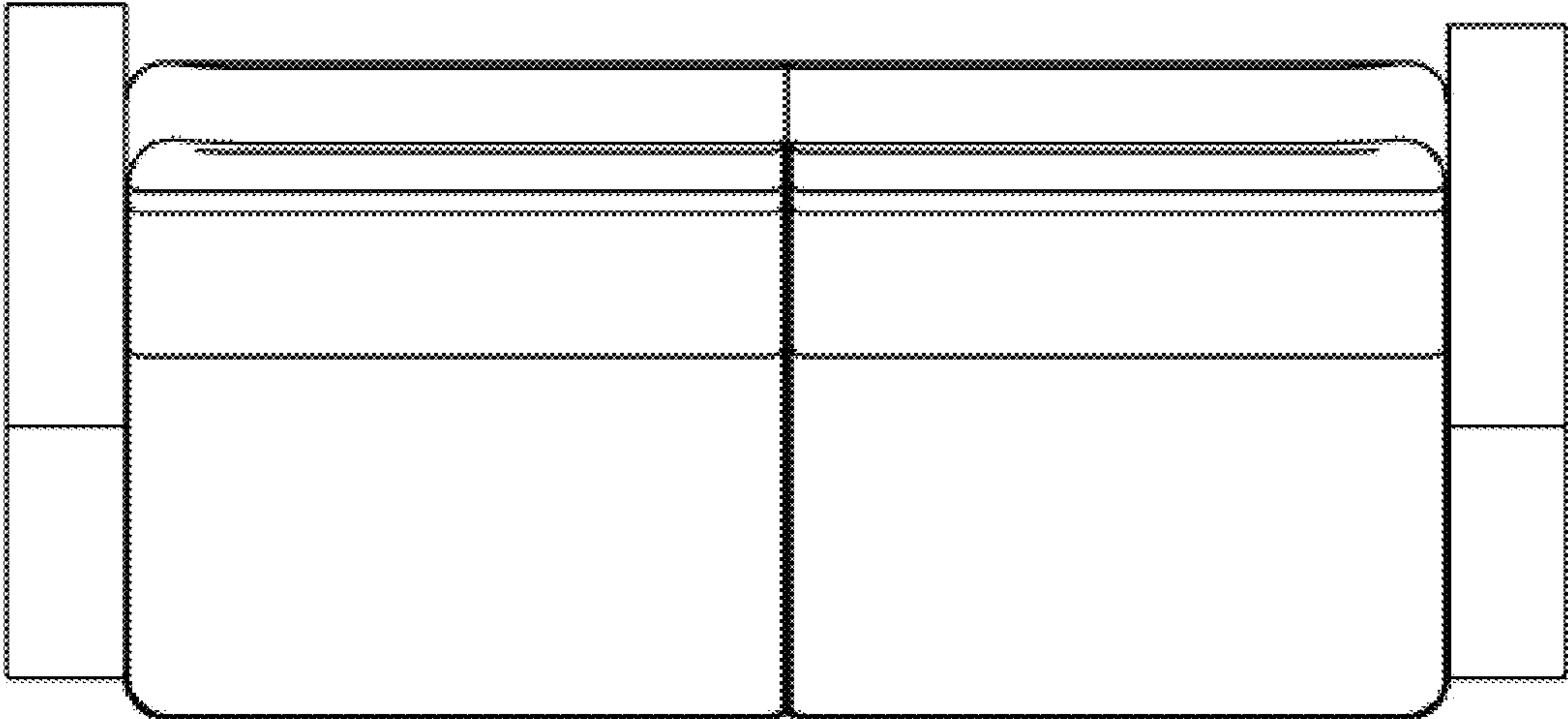


FIG. 4

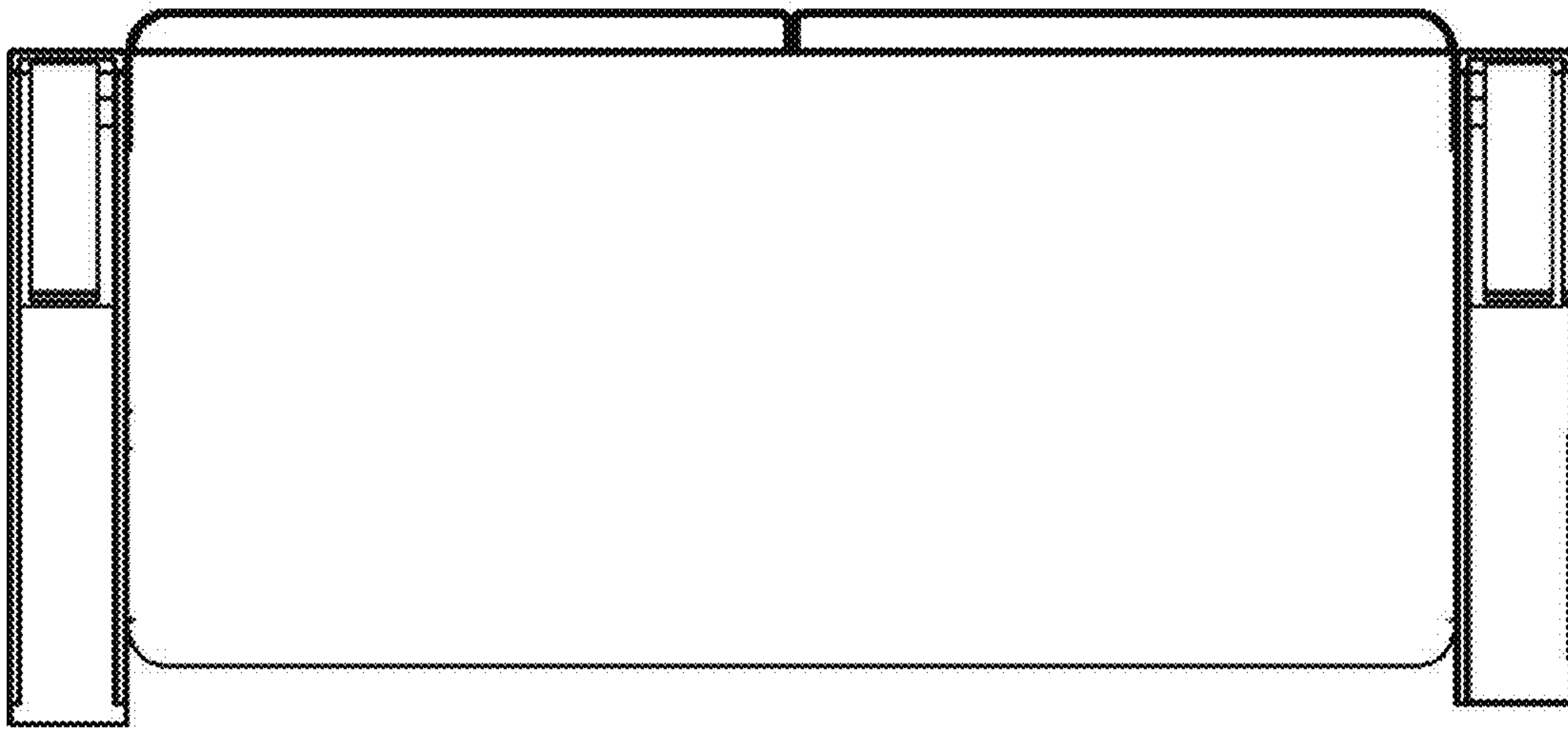


FIG. 5

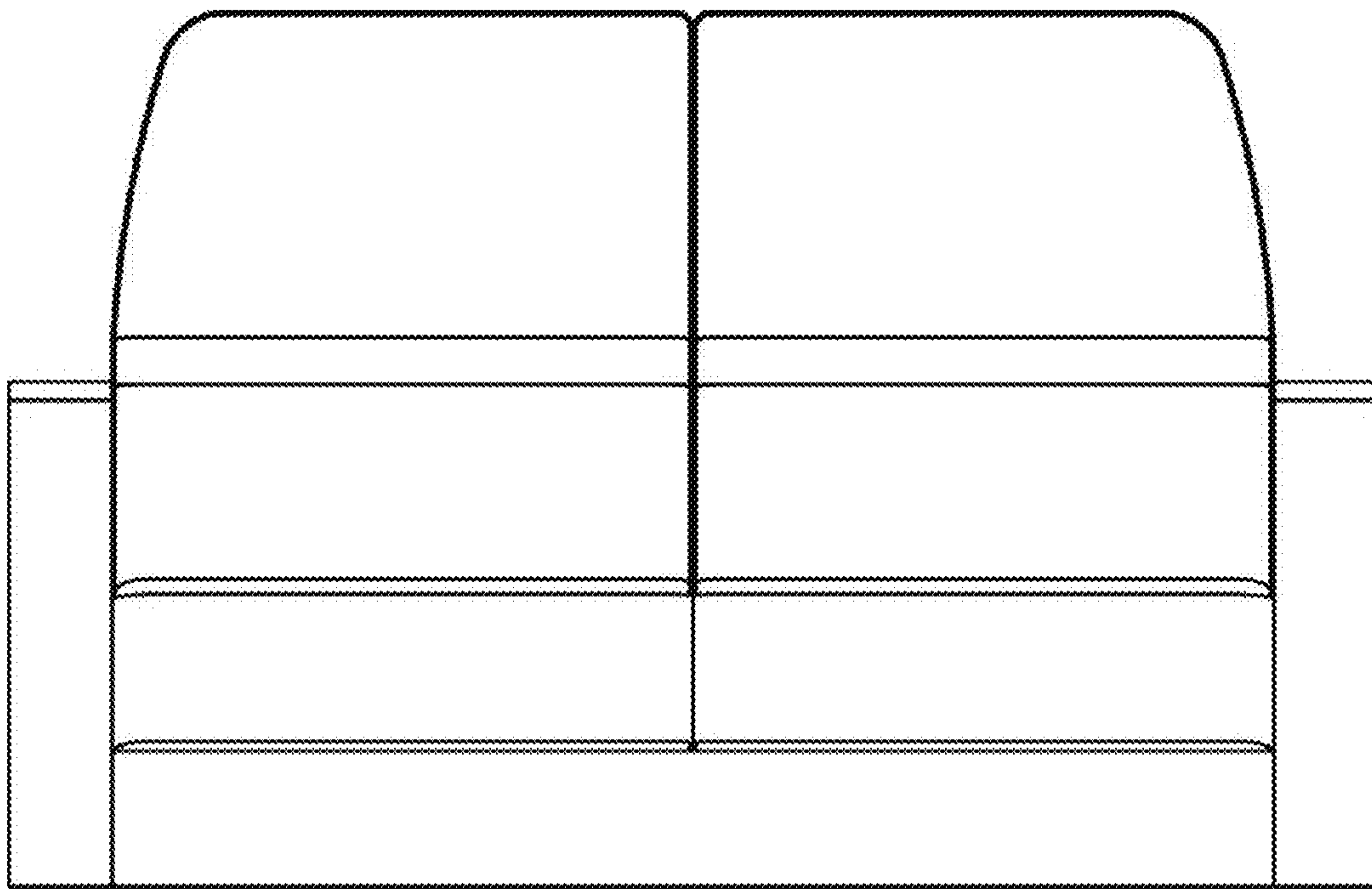


FIG. 6

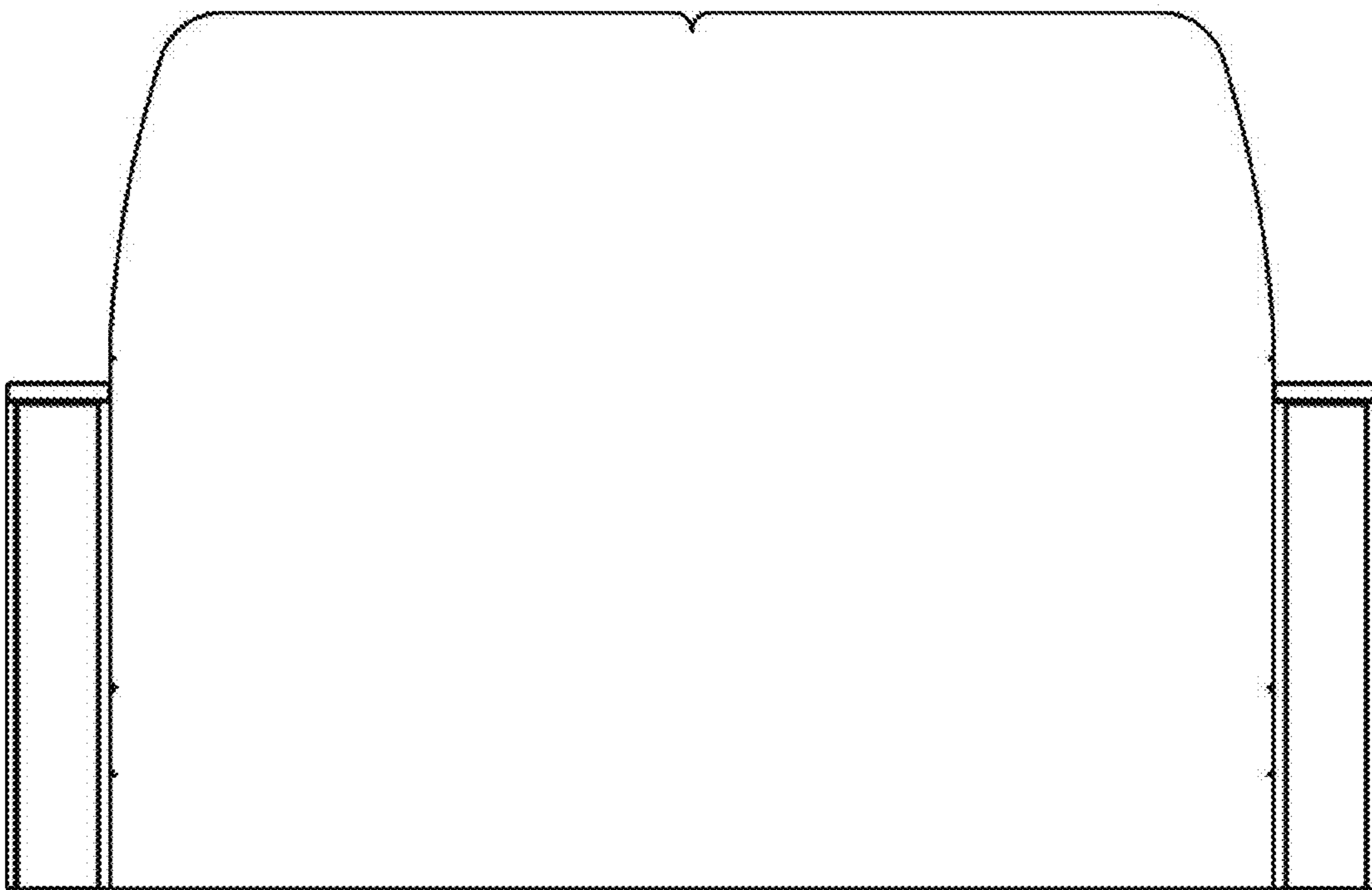


FIG. 7

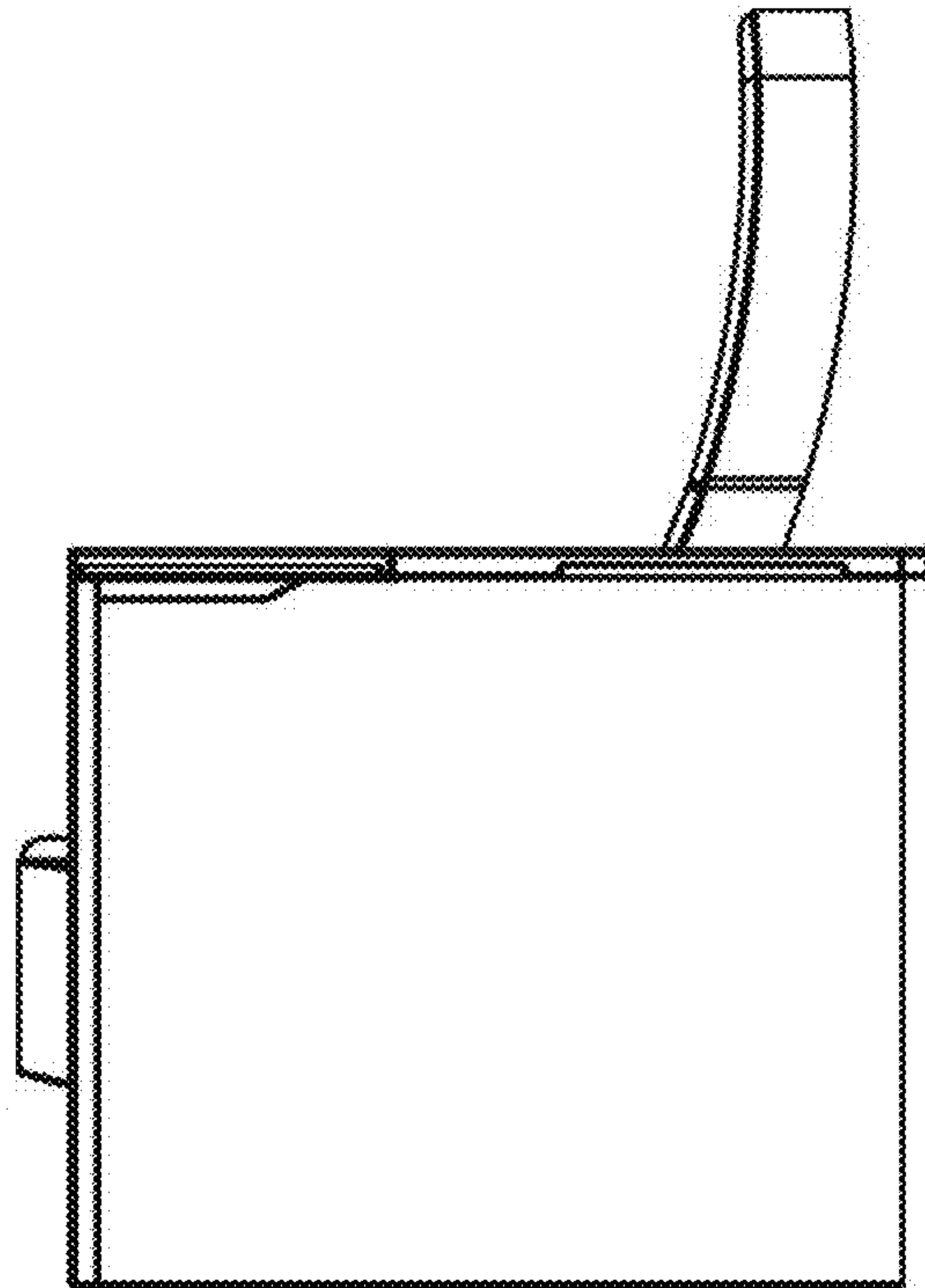


FIG. 8

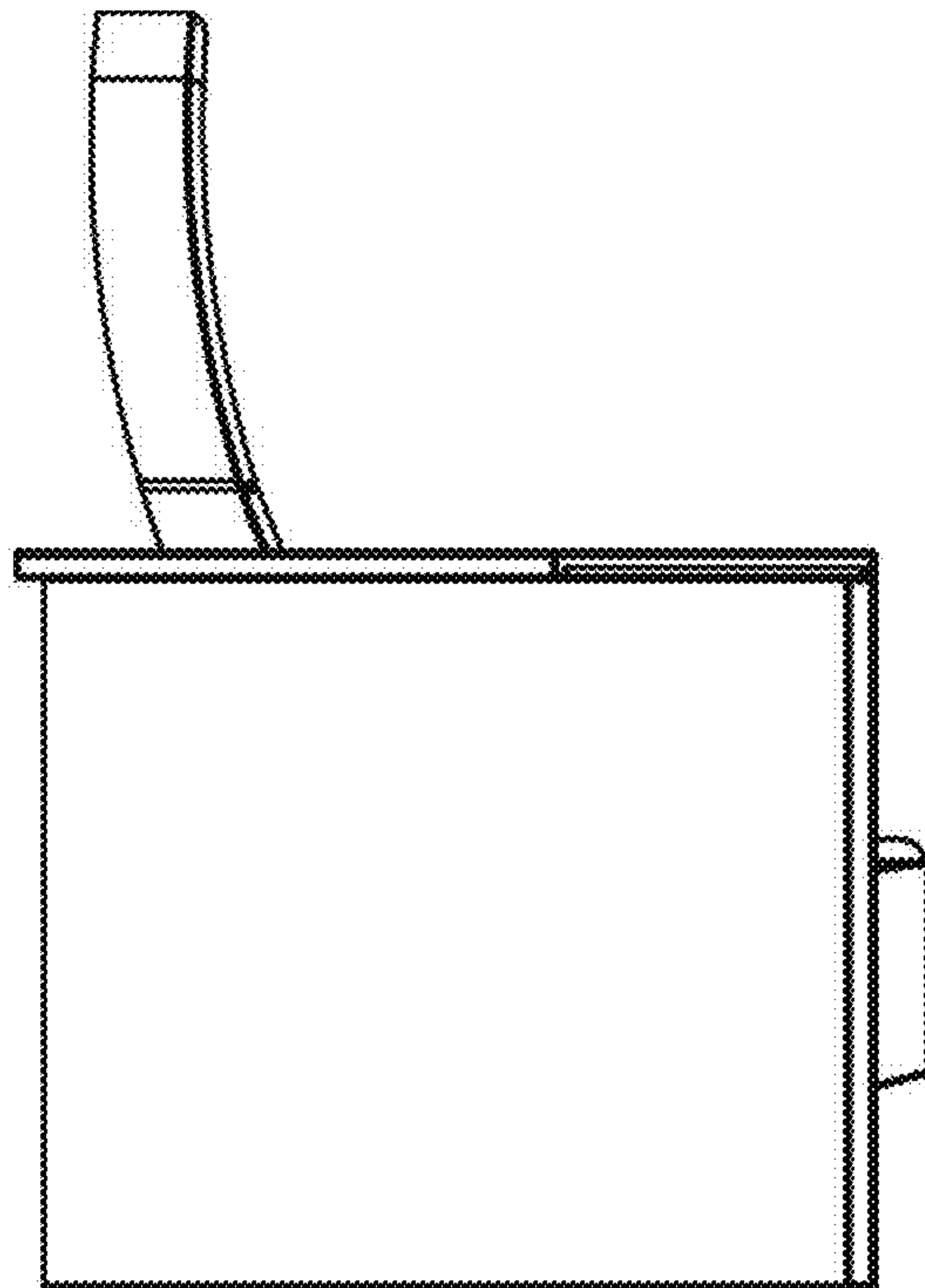


FIG. 9

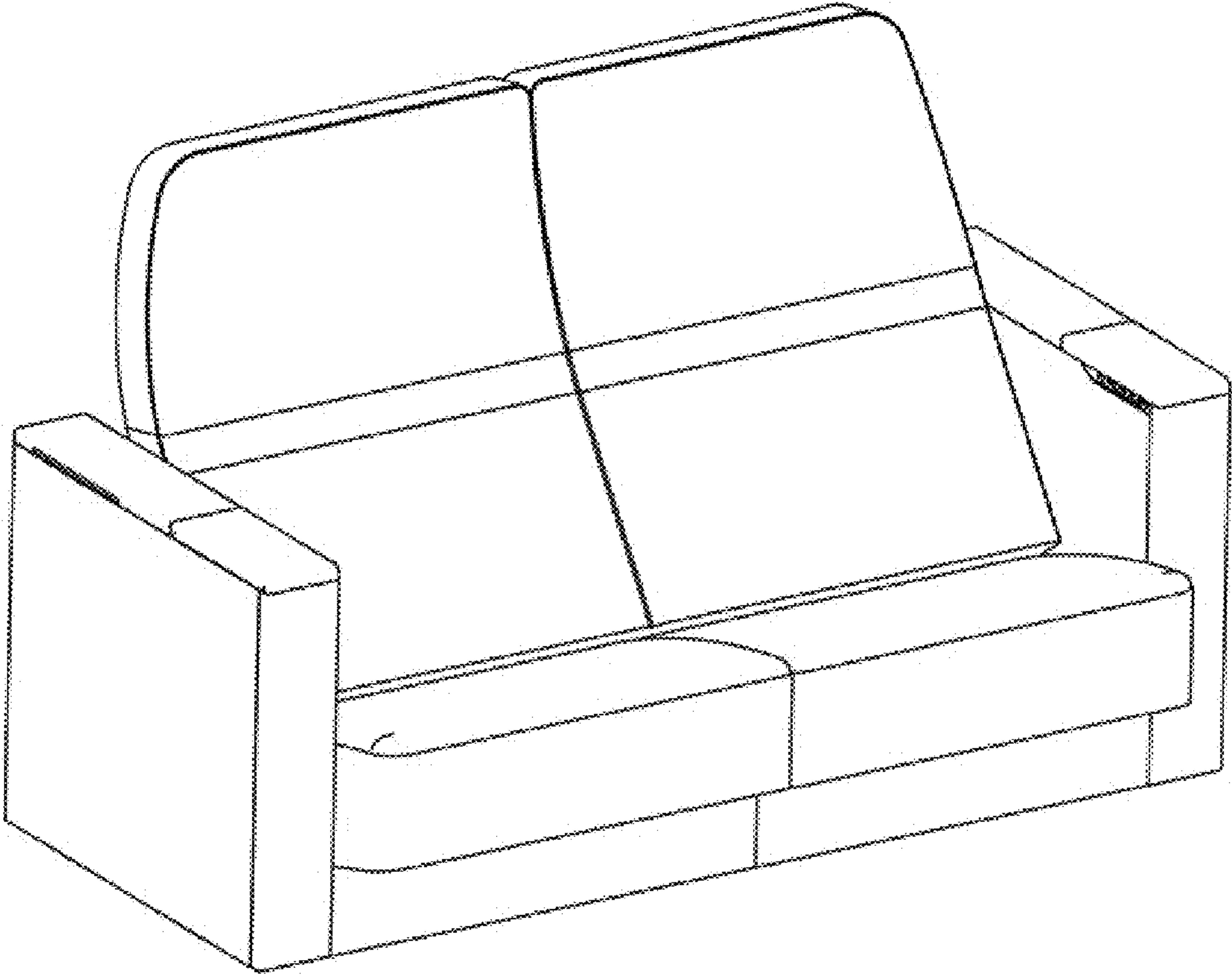


FIG. 10

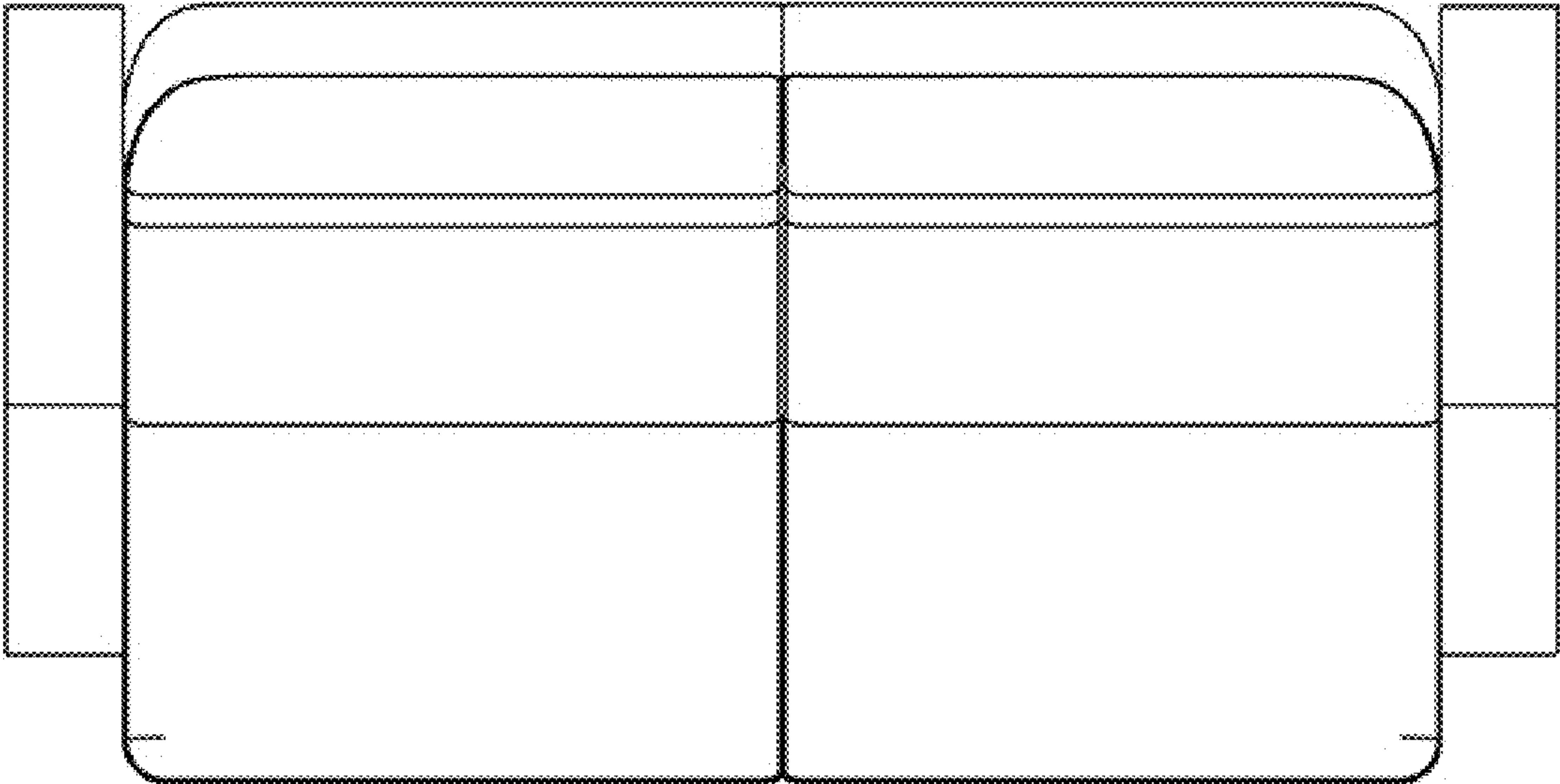


FIG. 11

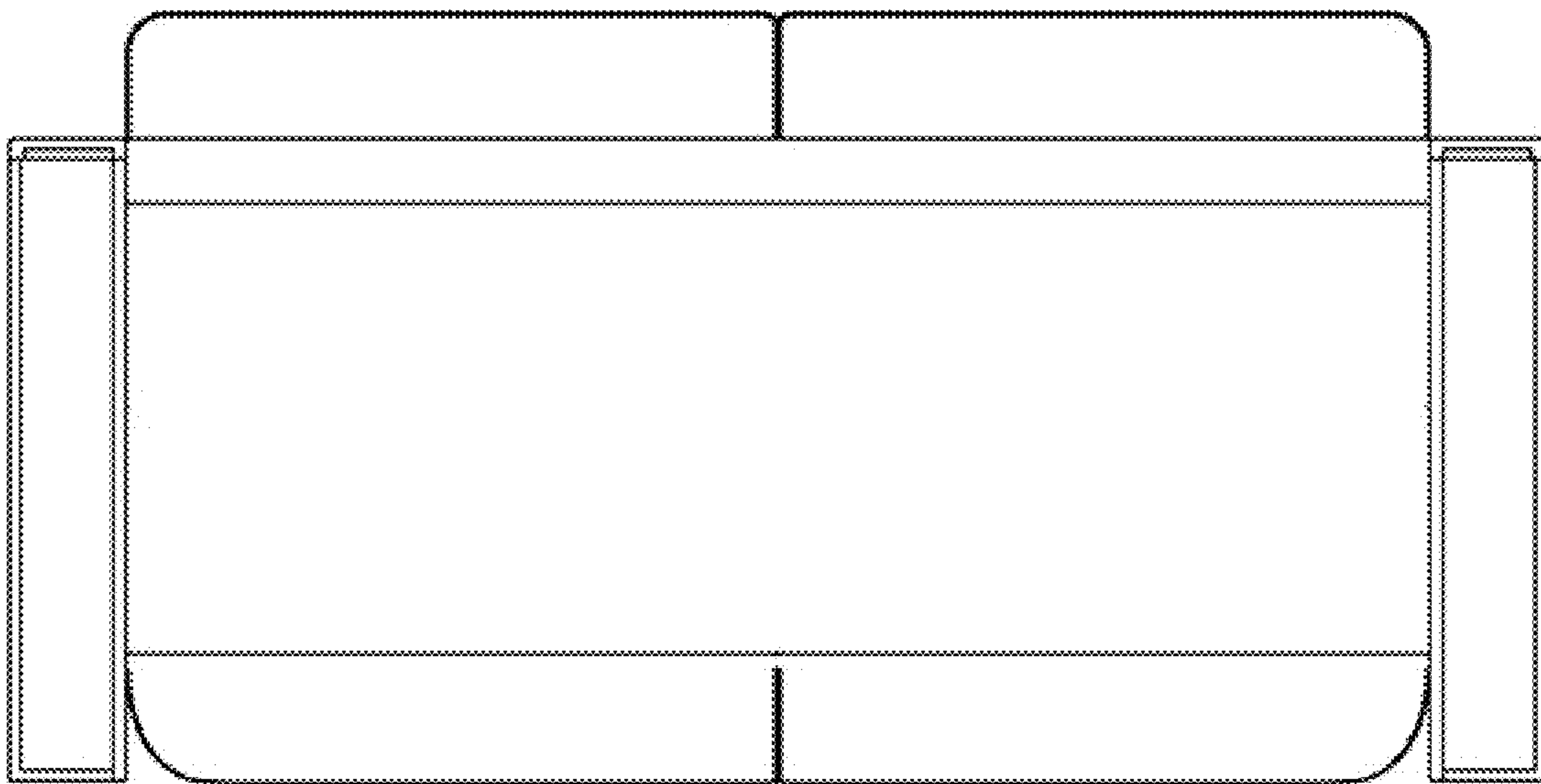


FIG. 12

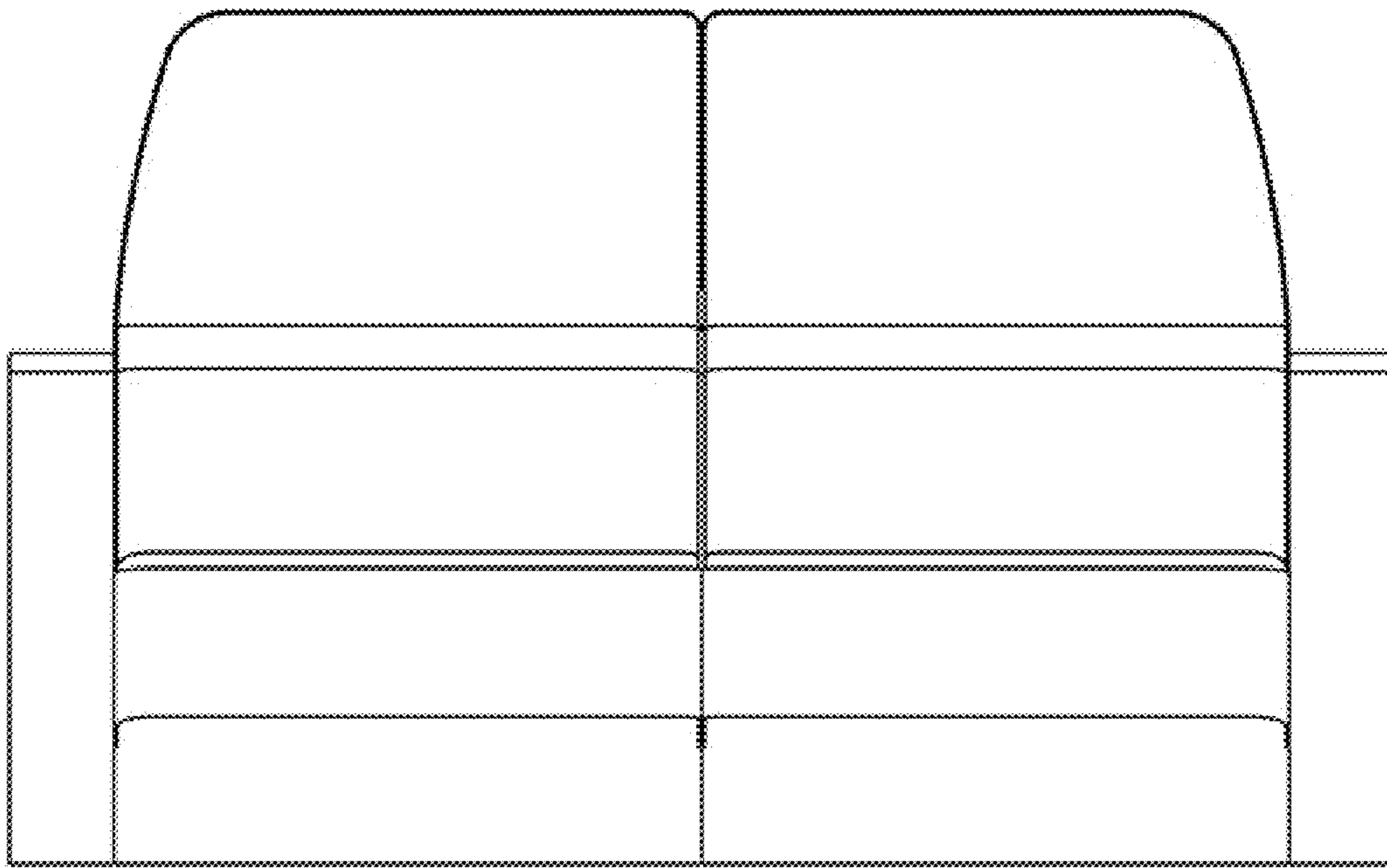


FIG. 13

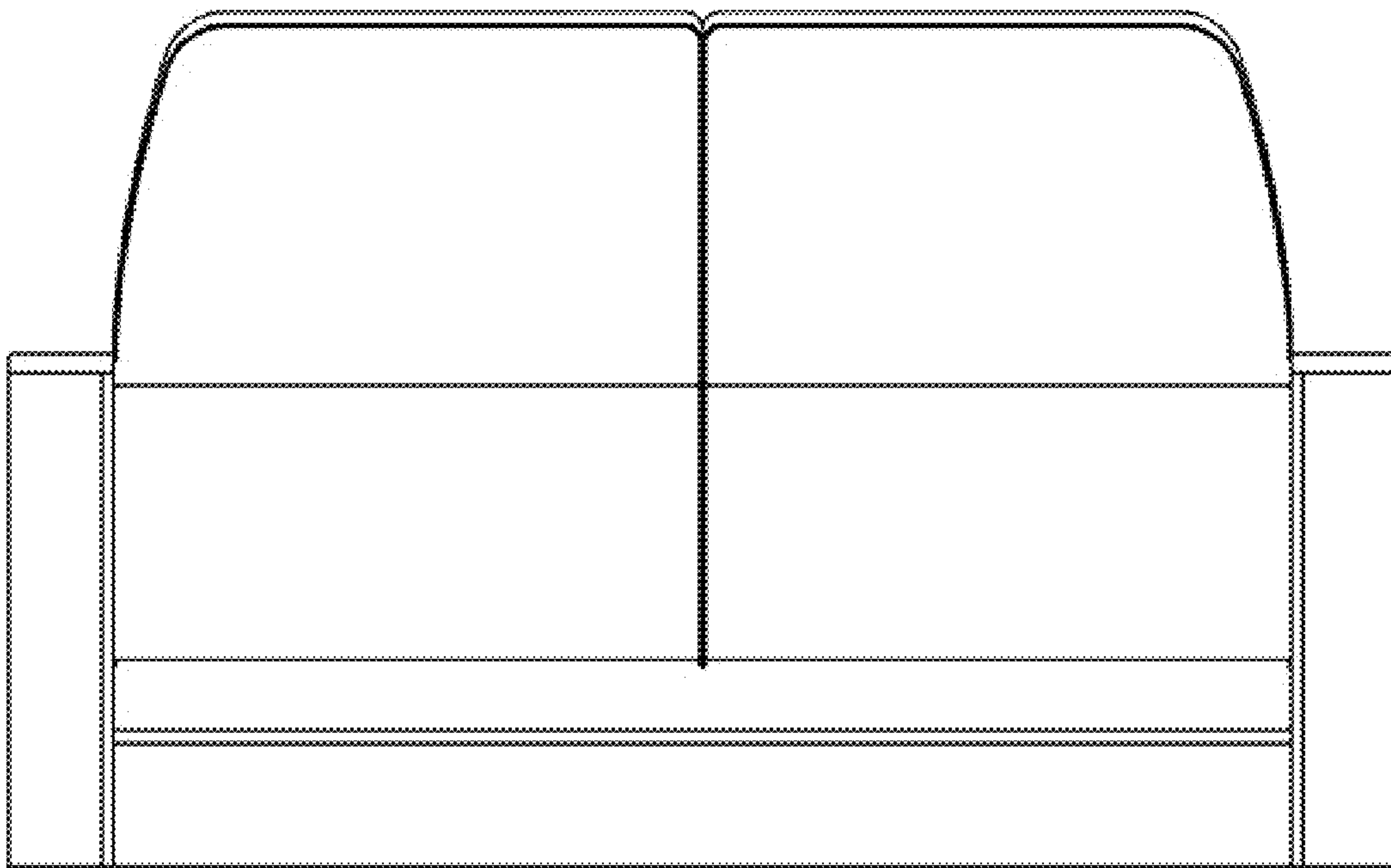


FIG. 14

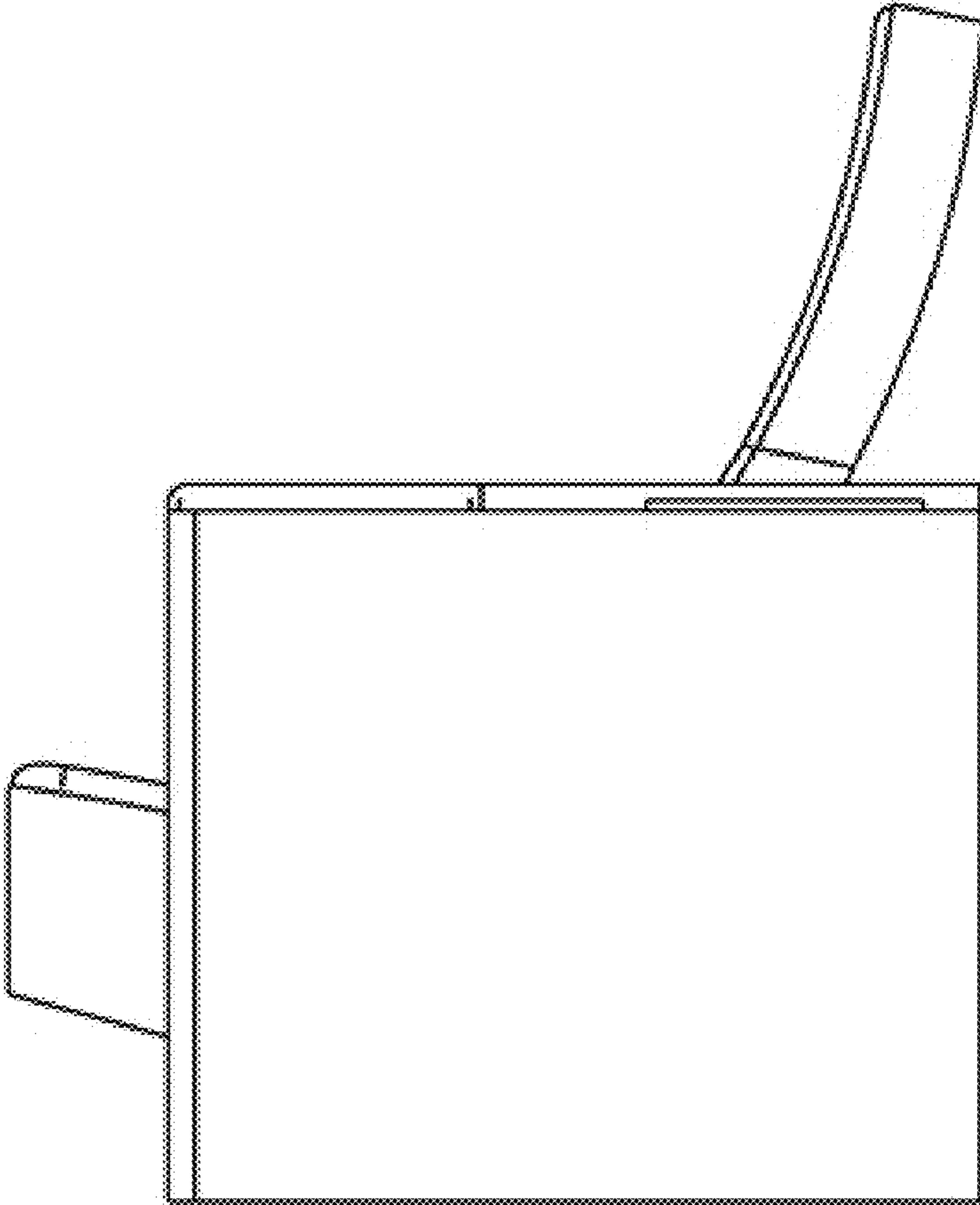


FIG. 15

