

US00D736005S

(12) **United States Design Patent**
Pinkstone et al.

(10) **Patent No.:** **US D736,005 S**

(45) **Date of Patent:** **** Aug. 11, 2015**

(54) **AIRPLANE SEATING UNIT**

(71) Applicant: **Zodiac Seats UK Limited**, Wales
Cwmbran (GB)

(72) Inventors: **Andrew Pinkstone**, Torfaen (GB);
Andrew Peel, Carmathenshire (GB)

(73) Assignee: **Zodiac Seats UK Limited**, Cwmbran,
Wales (GB)

(**) Term: **14 Years**

(21) Appl. No.: **29/487,008**

(22) Filed: **Apr. 4, 2014**

(51) **LOC (10) Cl.** **06-01**

(52) **U.S. Cl.**
USPC **D6/338**

(58) **Field of Classification Search**
USPC D6/334, 335, 336, 379, 381, 369, 349,
D6/370, 337, 338, 640, 643, 643.1, 644,
D6/406.1, 406.2, 406.3; 297/94, 118, 232,
297/445.1, 448.1, DIG. 7
CPC A47C 17/00; A47C 17/02; A47C 17/12;
A47C 17/18; A47C 7/021; A47C 31/00;
A47C 3/16

See application file for complete search history.

(56) **References Cited**

U.S. PATENT DOCUMENTS

D98,628 S *	2/1936	Stark et al.	D6/337
D128,165 S *	7/1941	Jory	D6/337
D260,823 S *	9/1981	Stulik, Jr.	D6/335
D262,165 S *	12/1981	Andries et al.	D6/335
D467,754 S *	12/2002	Chen	D6/429
D563,114 S *	3/2008	Pegg	D6/406.1
D565,848 S *	4/2008	Newhouse	D6/338
D565,849 S *	4/2008	Newhouse	D6/338
D565,850 S *	4/2008	Newhouse	D6/338
D588,829 S *	3/2009	Rheault et al.	D6/406.1
D616,209 S *	5/2010	Singler et al.	D6/338
D720,160 S *	12/2014	Lloyd et al.	D6/643

* cited by examiner

Primary Examiner — Sandra Snapp

(74) *Attorney, Agent, or Firm* — Kilpatrick Townsend &
Stockton LLP; Dean W. Russell; Tiffany L. Williams

(57) **CLAIM**

The ornamental design for an airplane seating unit, as shown
and described.

DESCRIPTION

FIG. 1 is an isometric view of an airplane seating unit in a first
configuration, showing the airplane seating unit in context
with an airplane seat.

FIG. 2 is an isometric view of the airplane seating unit of FIG.
1, shown in a configuration in which a table of the airplane
seating unit is stowed beneath an ottoman and a console of the
airplane seating unit is lowered, and the chair has been
removed for ease of illustration.

FIG. 3 is a top view of the airplane seating unit of FIG. 2.

FIG. 4 is an end view of the airplane seating unit of FIG. 2.

FIG. 5 is another end view of the airplane seating unit of FIG.
2, opposite the end view of FIG. 4.

FIG. 6 is a side view of the airplane seating unit of FIG. 2.

FIG. 7 is another side view of the airplane seating unit of FIG.
2, opposite the side view of FIG. 6.

FIG. 8 is another isometric view of the airplane seating unit of
FIG. 2.

FIG. 9 is another isometric view of the airplane seating unit of
FIG. 2.

FIG. 10 is another isometric view of the airplane seating unit
of FIG. 2.

FIG. 11 is an isometric view of the airplane seating unit of
FIG. 1, shown in a configuration in which a table of the
airplane seating unit is stowed beneath an ottoman and a
console of the airplane seating unit is raised, and the chair has
been removed for ease of illustration.

FIG. 12 is a top view of the airplane seating unit of FIG. 11.

FIG. 13 is an end view of the airplane seating unit of FIG. 11.

FIG. 14 is another end view of the airplane seating unit of
FIG. 11, opposite the end view of FIG. 13.

FIG. 15 is a side view of the airplane seating unit of FIG. 11.

FIG. 16 is another side view of the airplane seating unit of
FIG. 11, opposite the side view of FIG. 15.

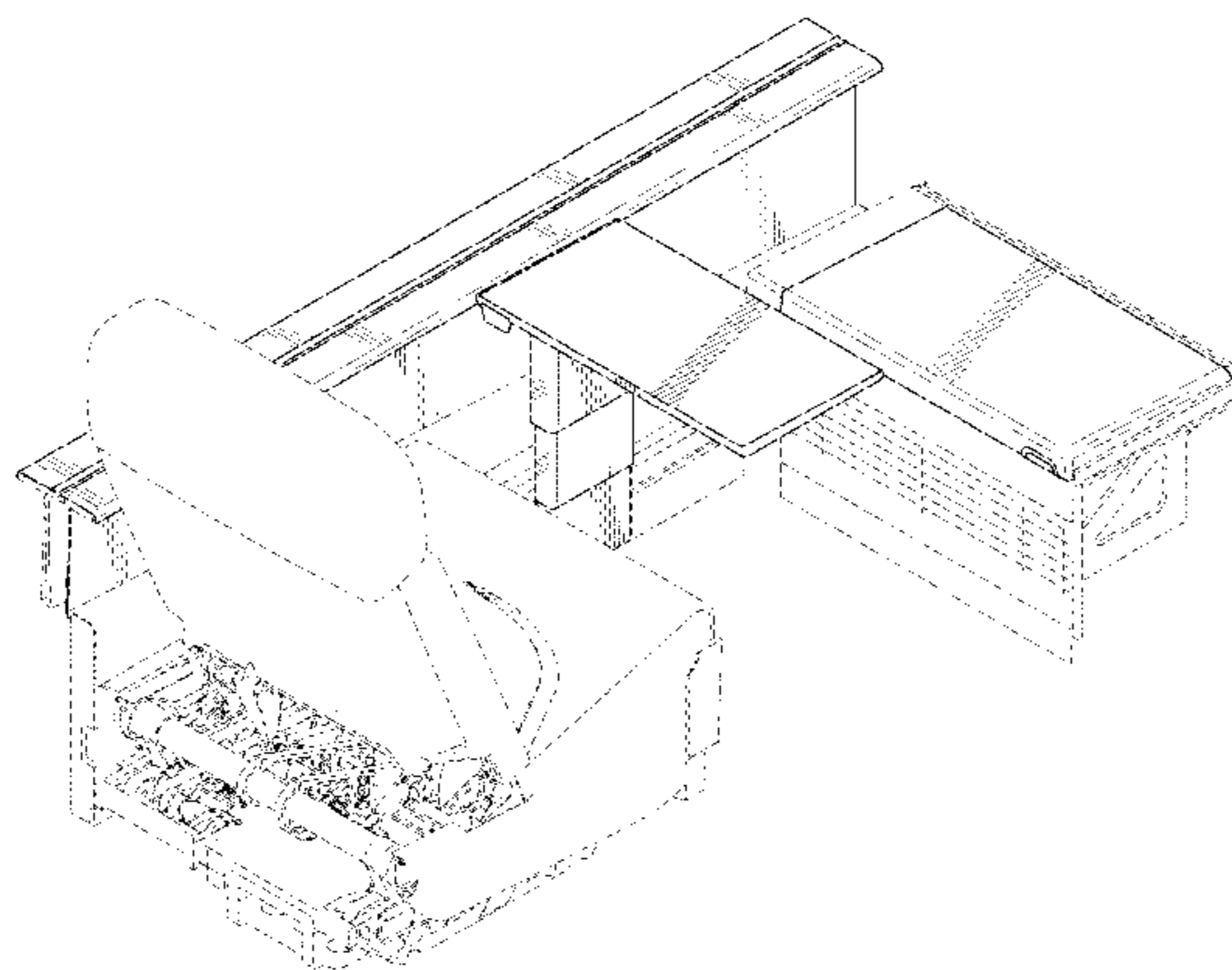


FIG. 17 is another isometric view of the airplane seating unit of FIG. 11.

FIG. 18 is another isometric view of the airplane seating unit of FIG. 11.

FIG. 19 is another isometric view of the airplane seating unit of FIG. 11.

FIG. 20 is an isometric view of the airplane seating unit of FIG. 1, shown in a configuration in which a table top of the airplane seating unit is raised, a lid of the ottoman is open, and the console of the airplane seating unit is raised, and the chair has been removed for ease of illustration.

FIG. 21 is a top view of the airplane seating unit of FIG. 20.

FIG. 22 is an end view of the airplane seating unit of FIG. 20.

FIG. 23 is another end view of the airplane seating unit of FIG. 20, opposite the end view of FIG. 22.

FIG. 24 is a side view of the airplane seating unit of FIG. 20.

FIG. 25 is another side view of the airplane seating unit of FIG. 20, opposite the side view of FIG. 24.

FIG. 26 is another isometric view of the airplane seating unit of FIG. 20.

FIG. 27 is another isometric view of the airplane seating unit of FIG. 20.

FIG. 28 is another isometric view of the airplane seating unit of FIG. 20.

FIG. 29 is an isometric view of the airplane seating unit of FIG. 1, shown in a configuration in which the table of the airplane seating unit is deployed and the console of the airplane seating unit is raised, and the chair has been removed for ease of illustration.

FIG. 30 is a top view of the airplane seating unit of FIG. 29.

FIG. 31 is an end view of the airplane seating unit of FIG. 29.

FIG. 32 is another end view of the airplane seating unit of FIG. 29, opposite the end view of FIG. 31.

FIG. 33 is a side view of the airplane seating unit of FIG. 29.

FIG. 34 is another side view of the airplane seating unit of FIG. 29, opposite the side view of FIG. 33.

FIG. 35 is another isometric view of the airplane seating unit of FIG. 29.

FIG. 36 is another isometric view of the airplane seating unit of FIG. 29; and,

FIG. 37 is another isometric view of the airplane seating unit of FIG. 29.

The broken lines form no part of the claimed design.

1 Claim, 27 Drawing Sheets

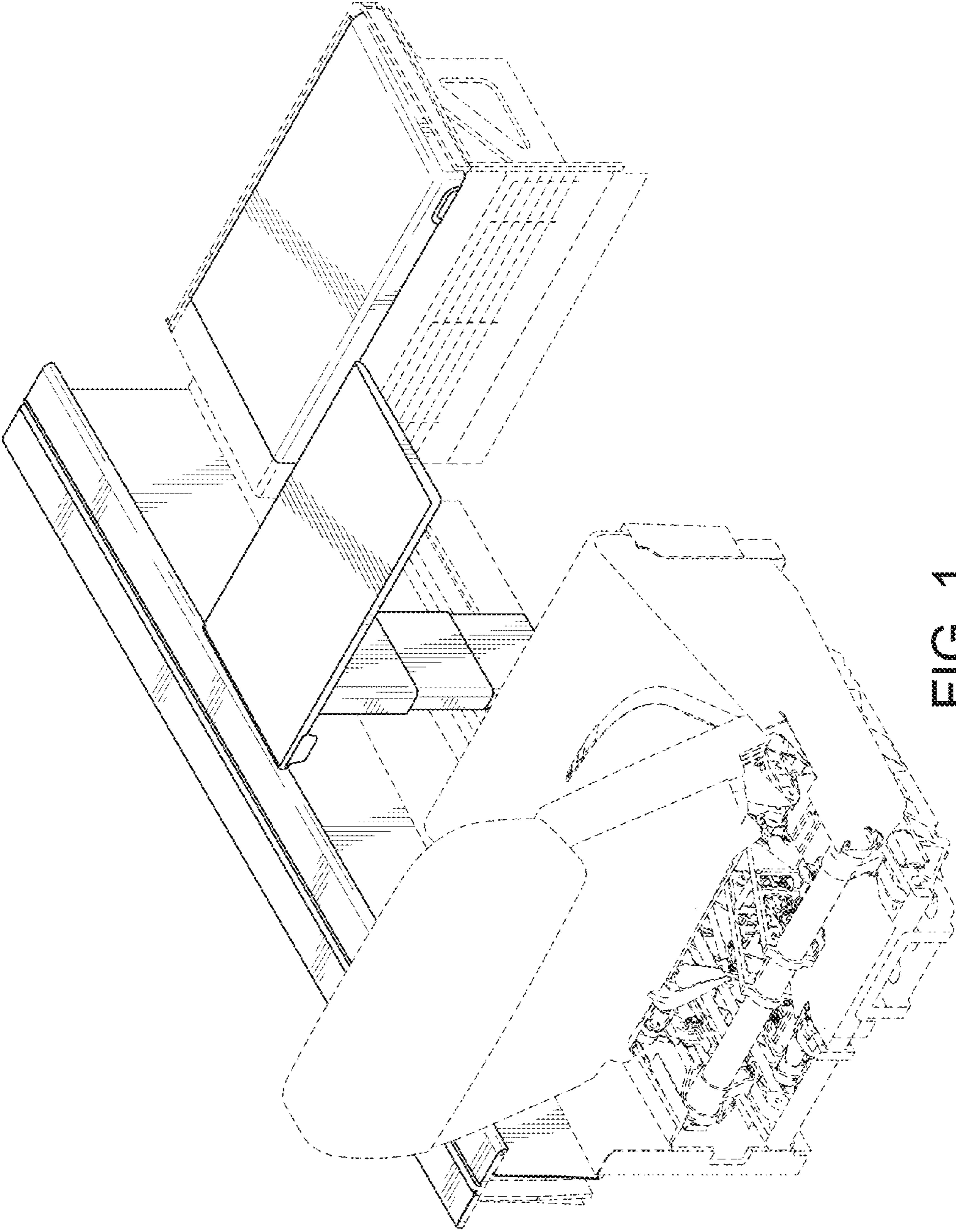


FIG. 1

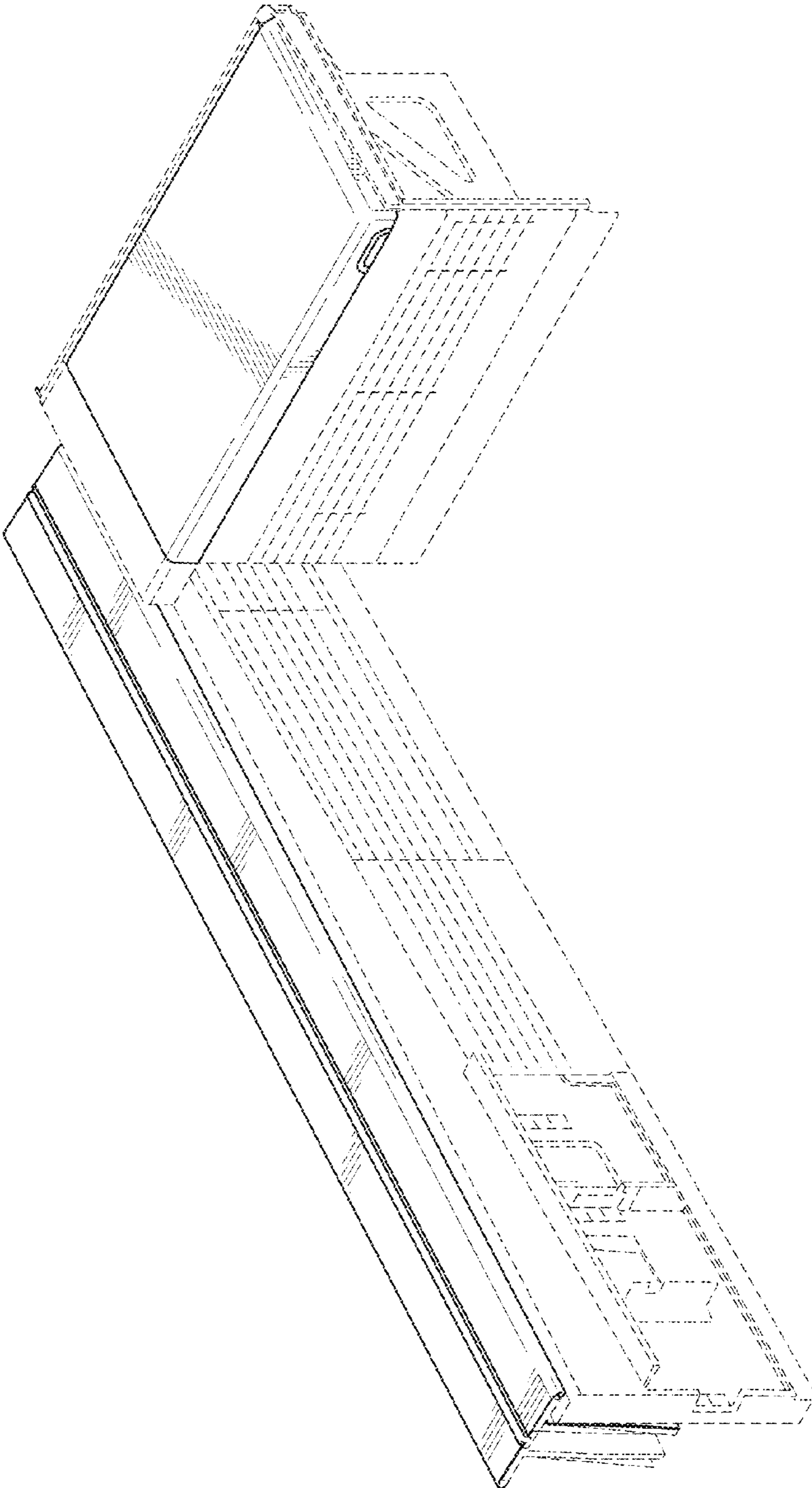


FIG. 2

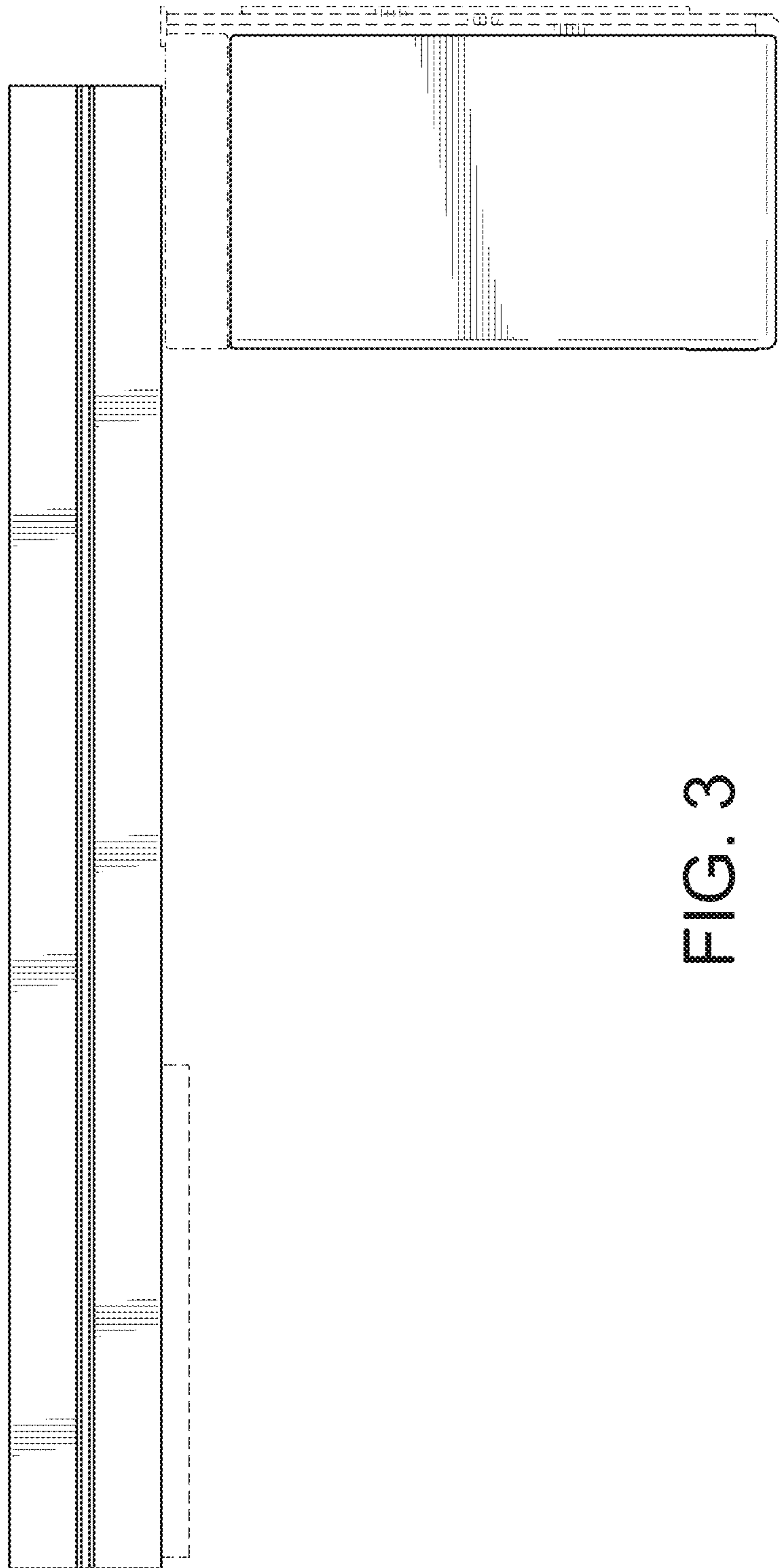


FIG. 3

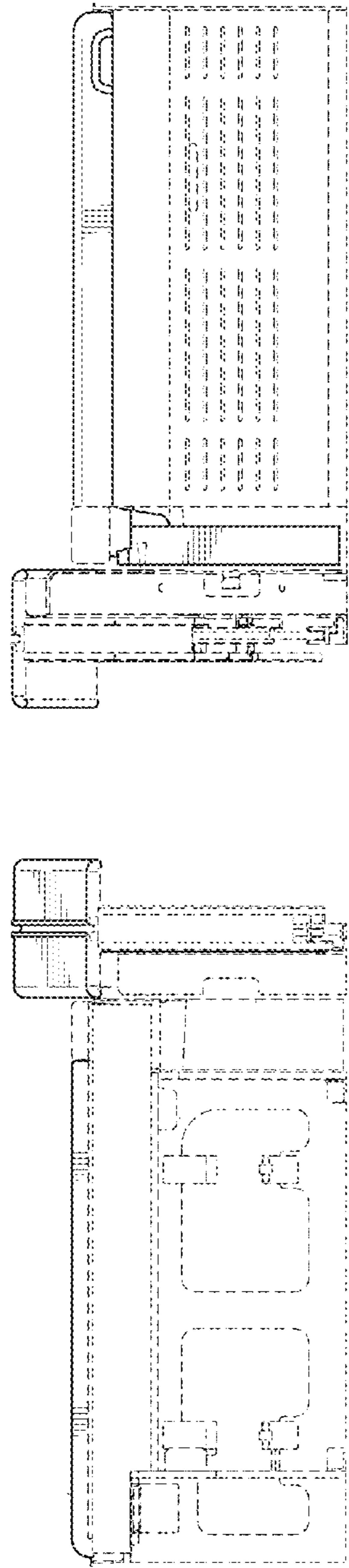


FIG. 4

FIG. 5

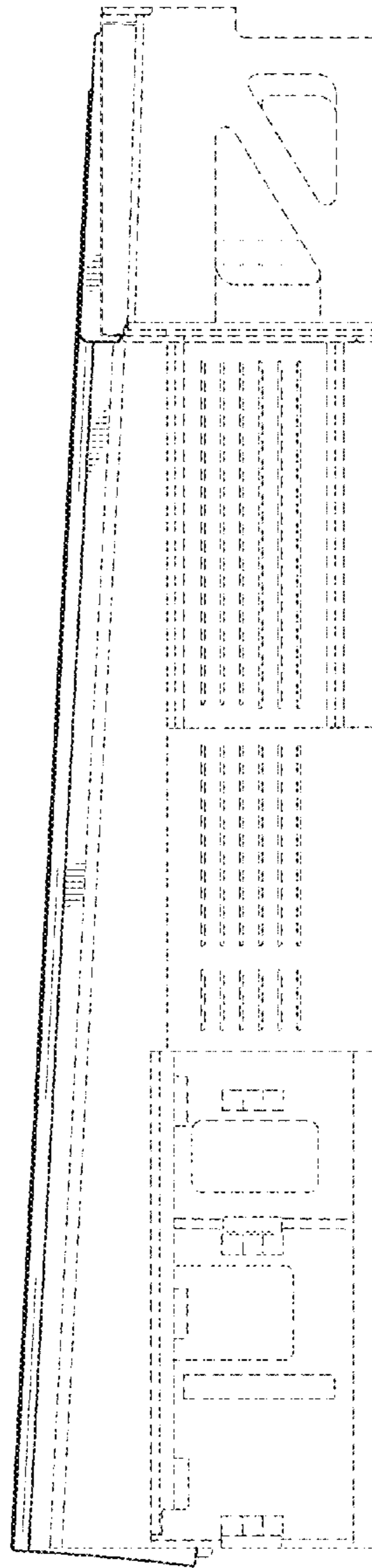


FIG. 6

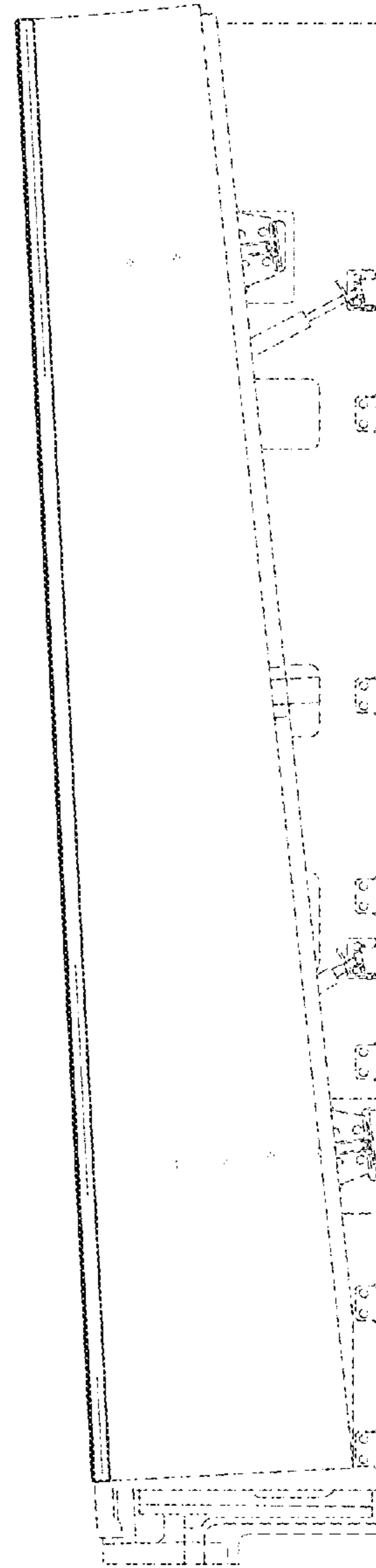


FIG. 7

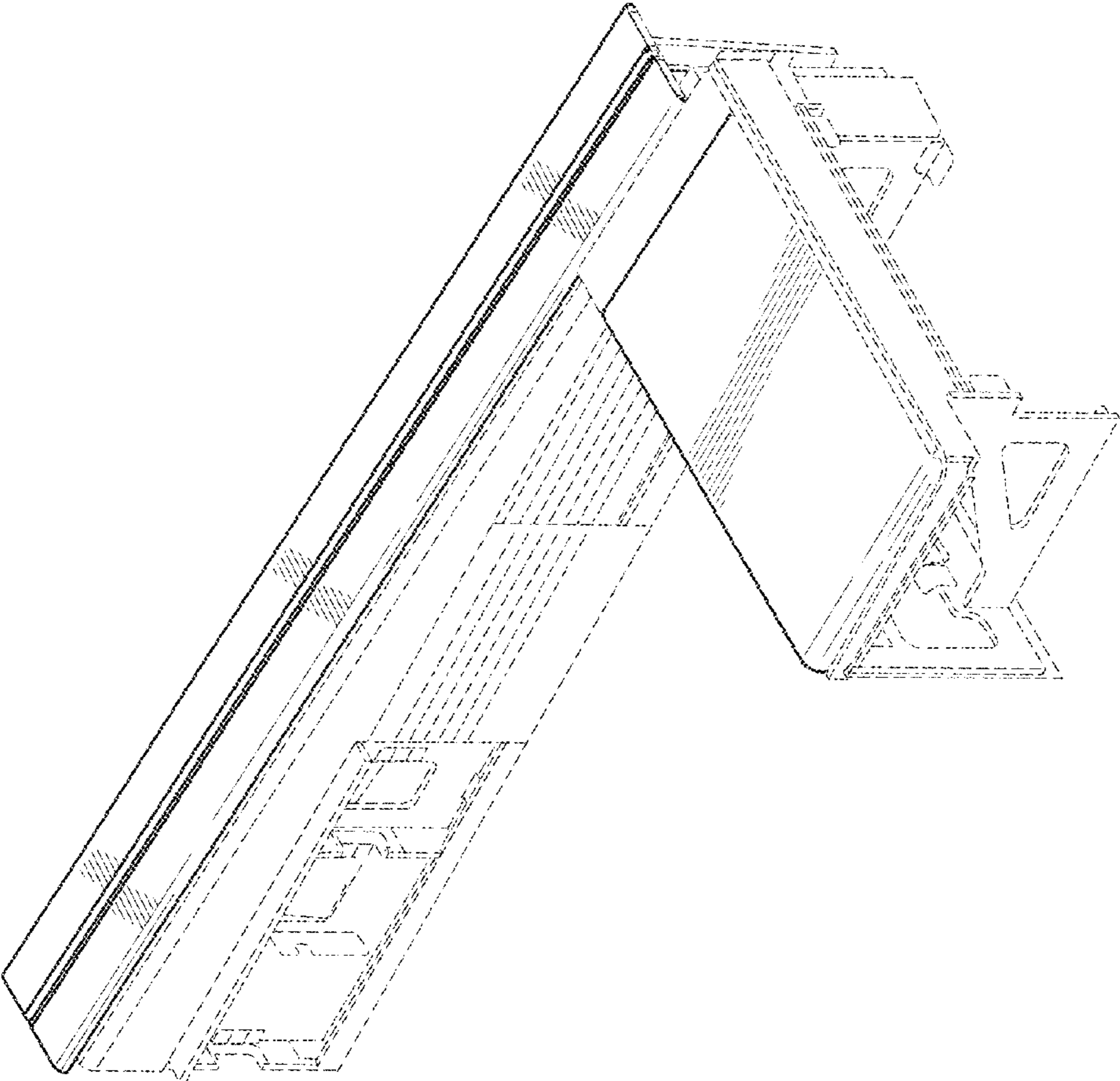


FIG. 8

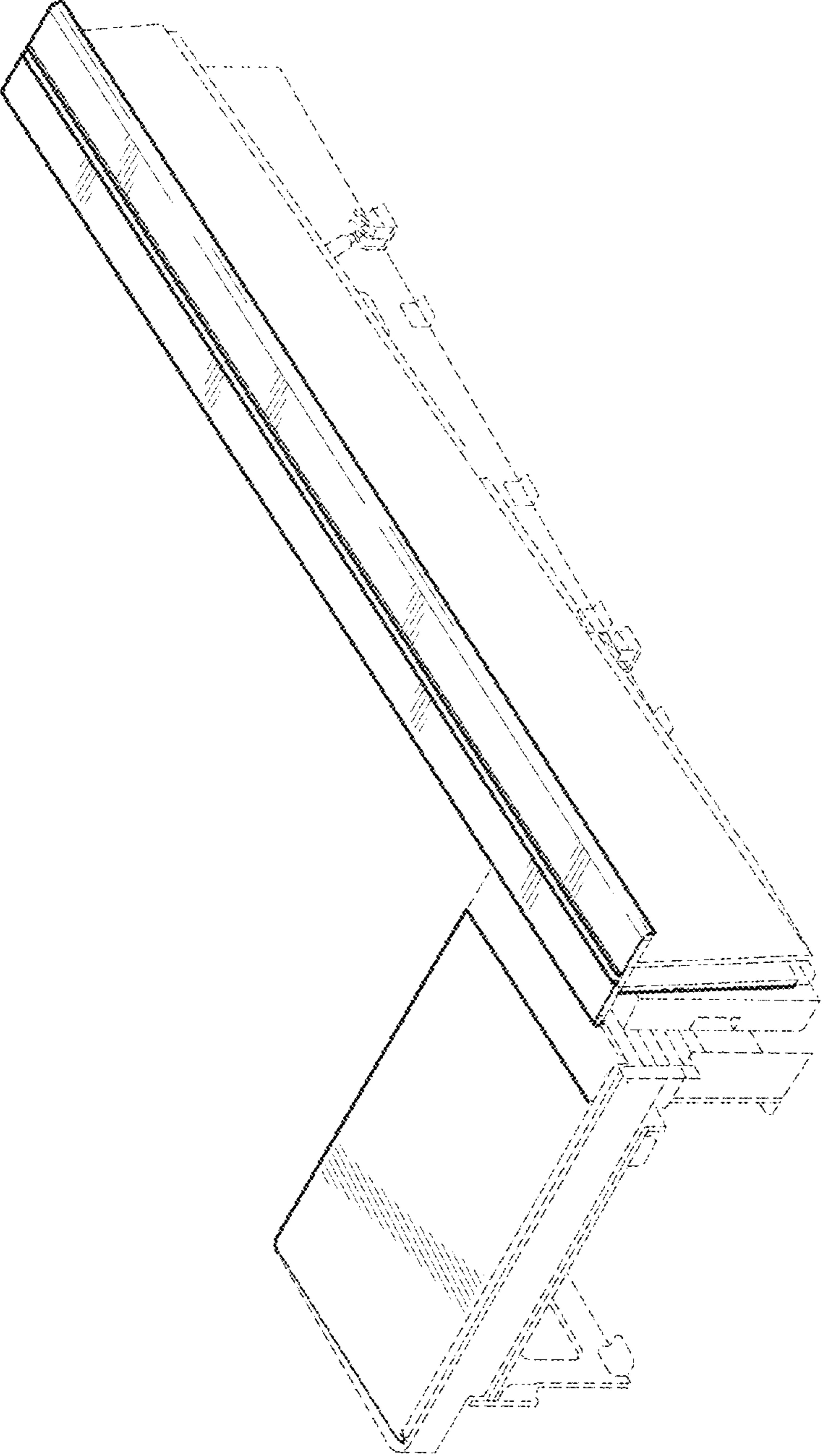


FIG. 9

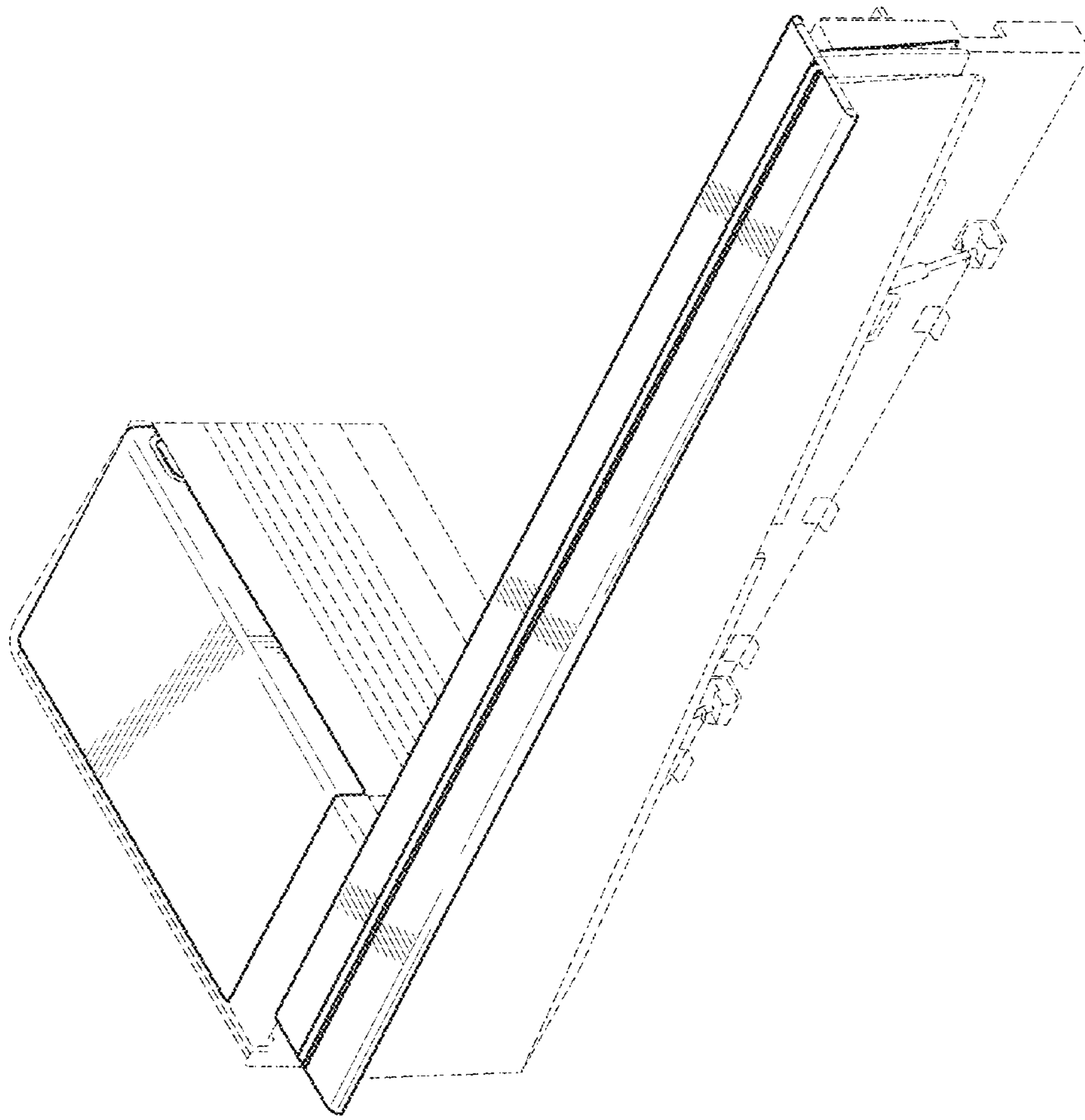


FIG. 10

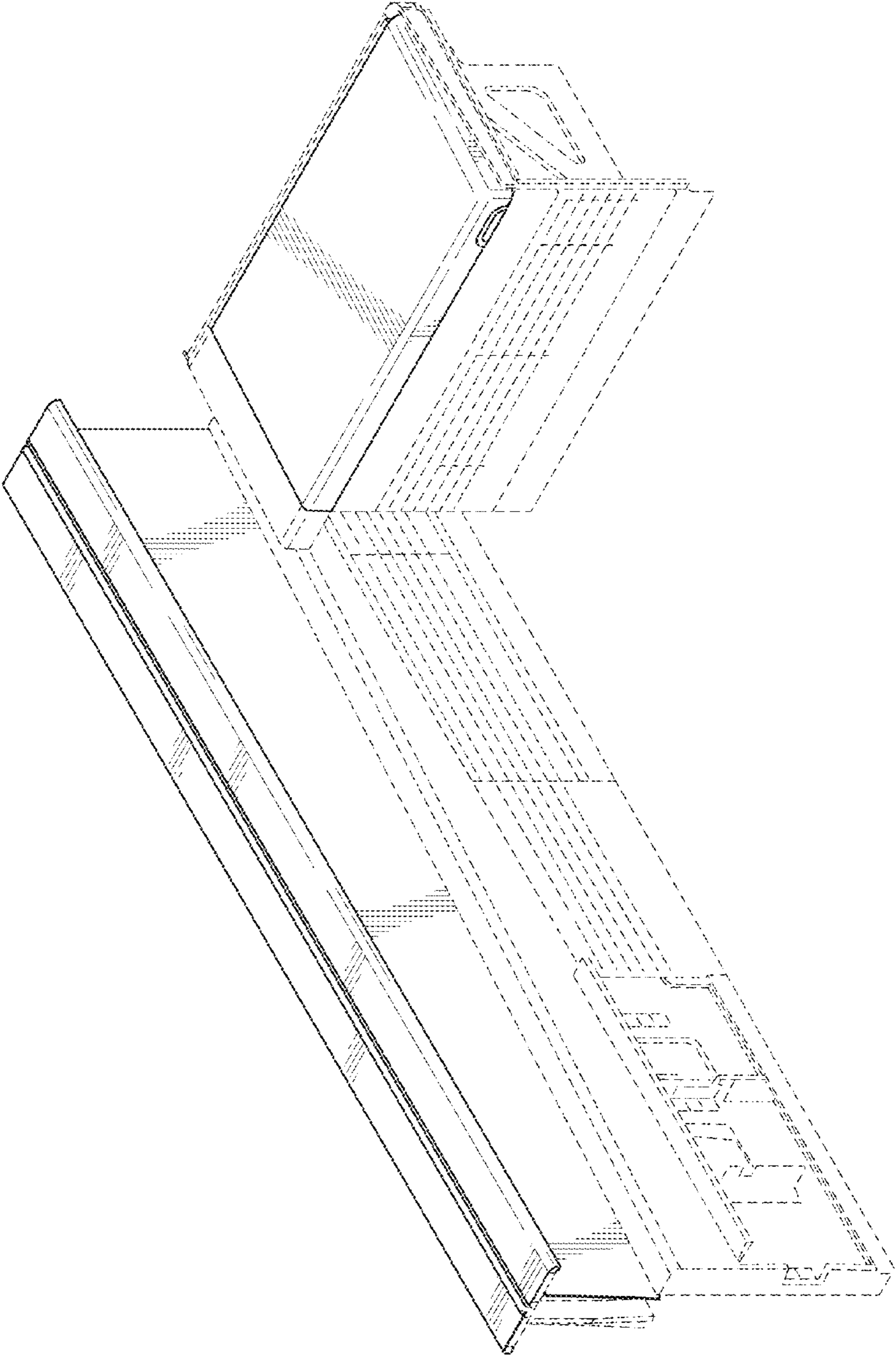


FIG. 11

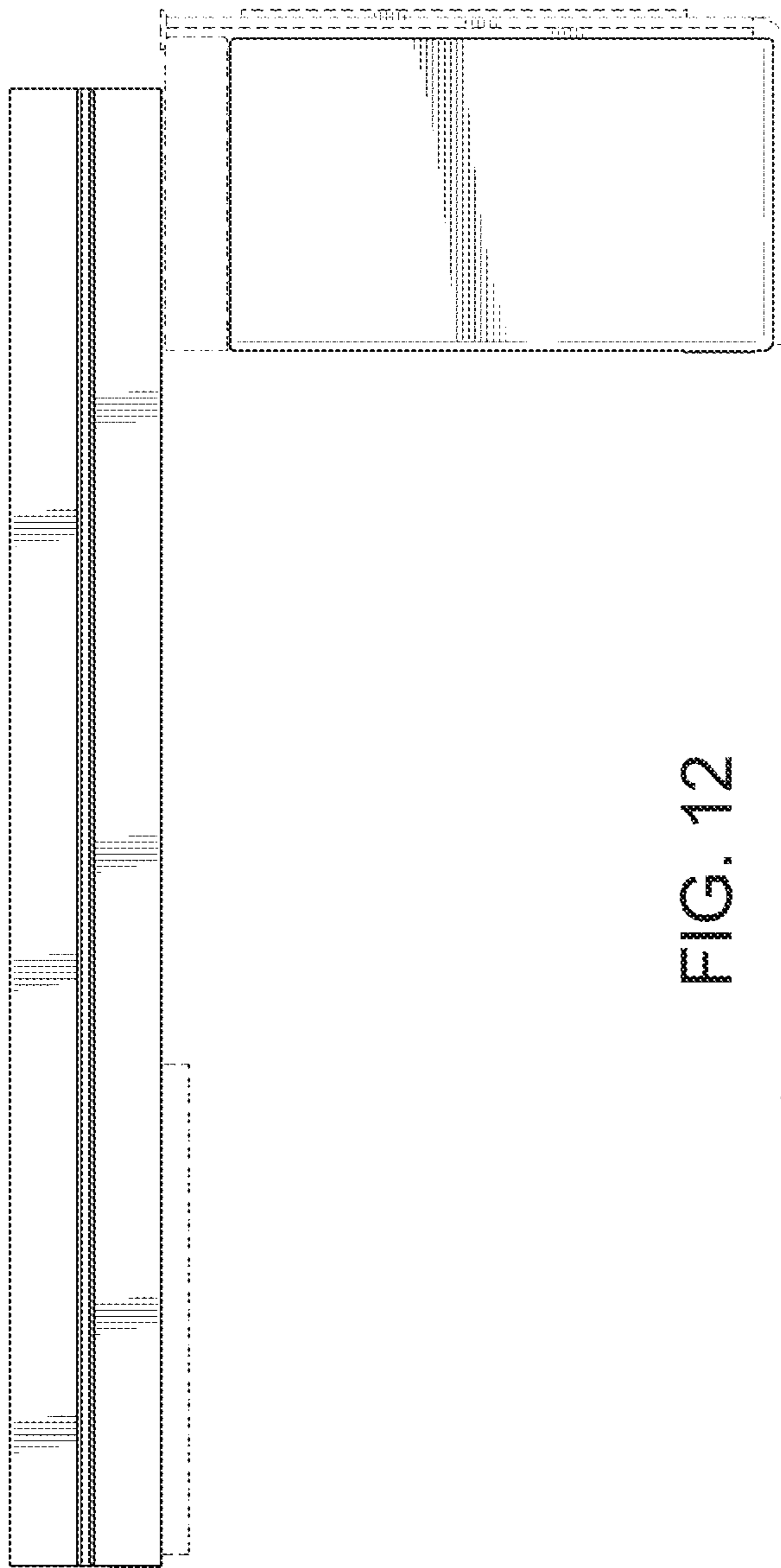


FIG. 12

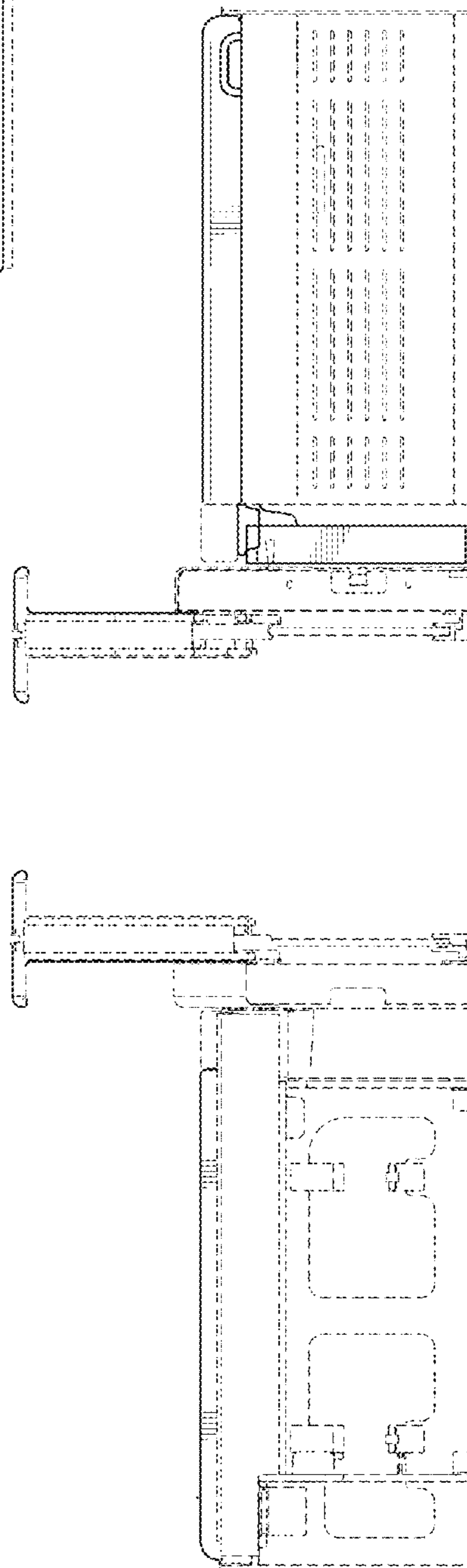


FIG. 13

FIG. 14

FIG. 15

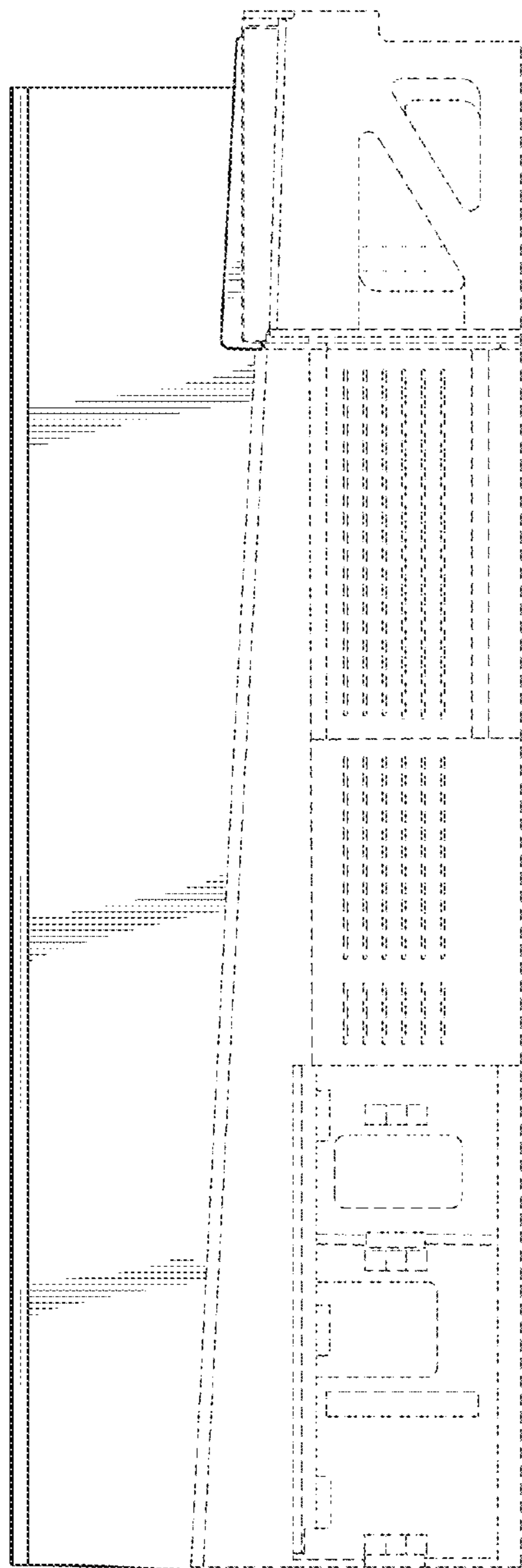
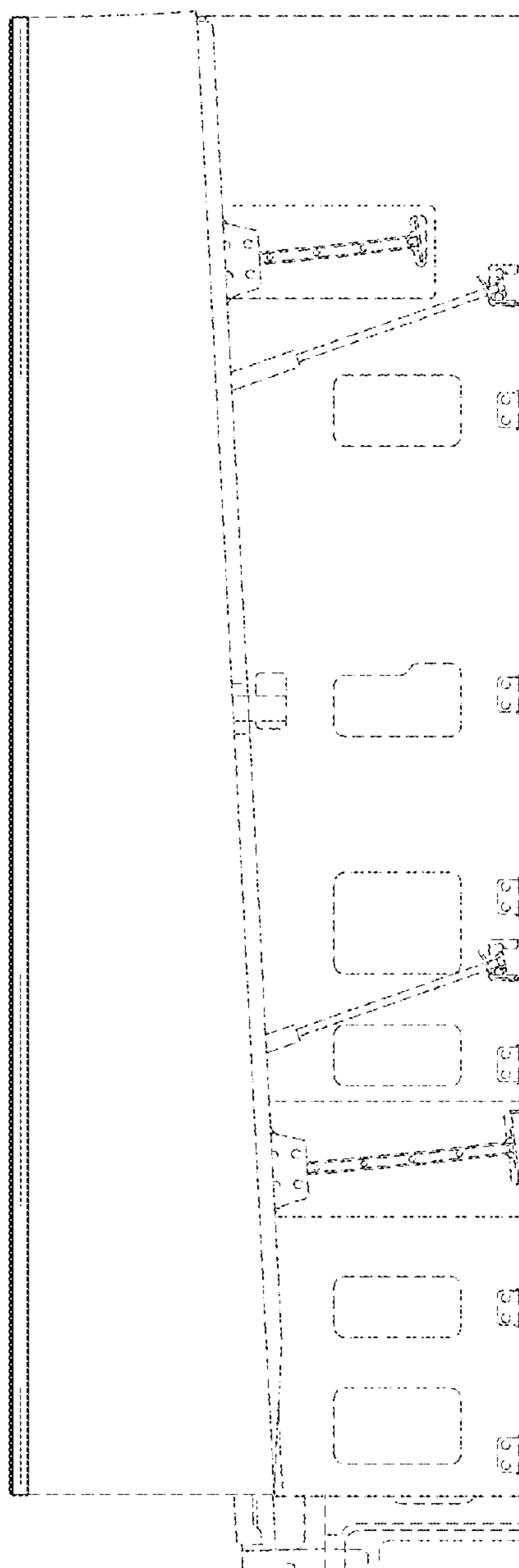


FIG. 16



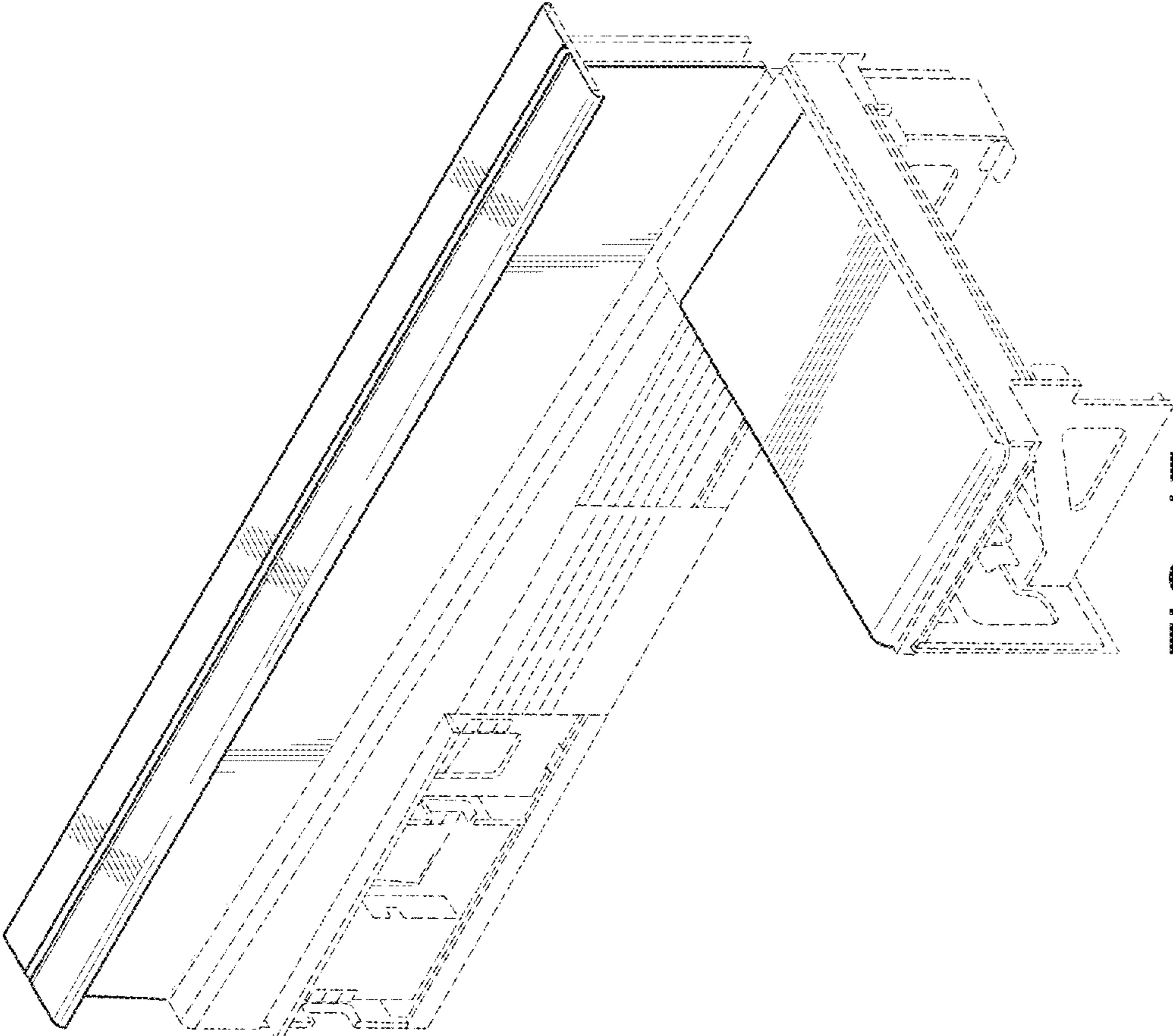


FIG. 17

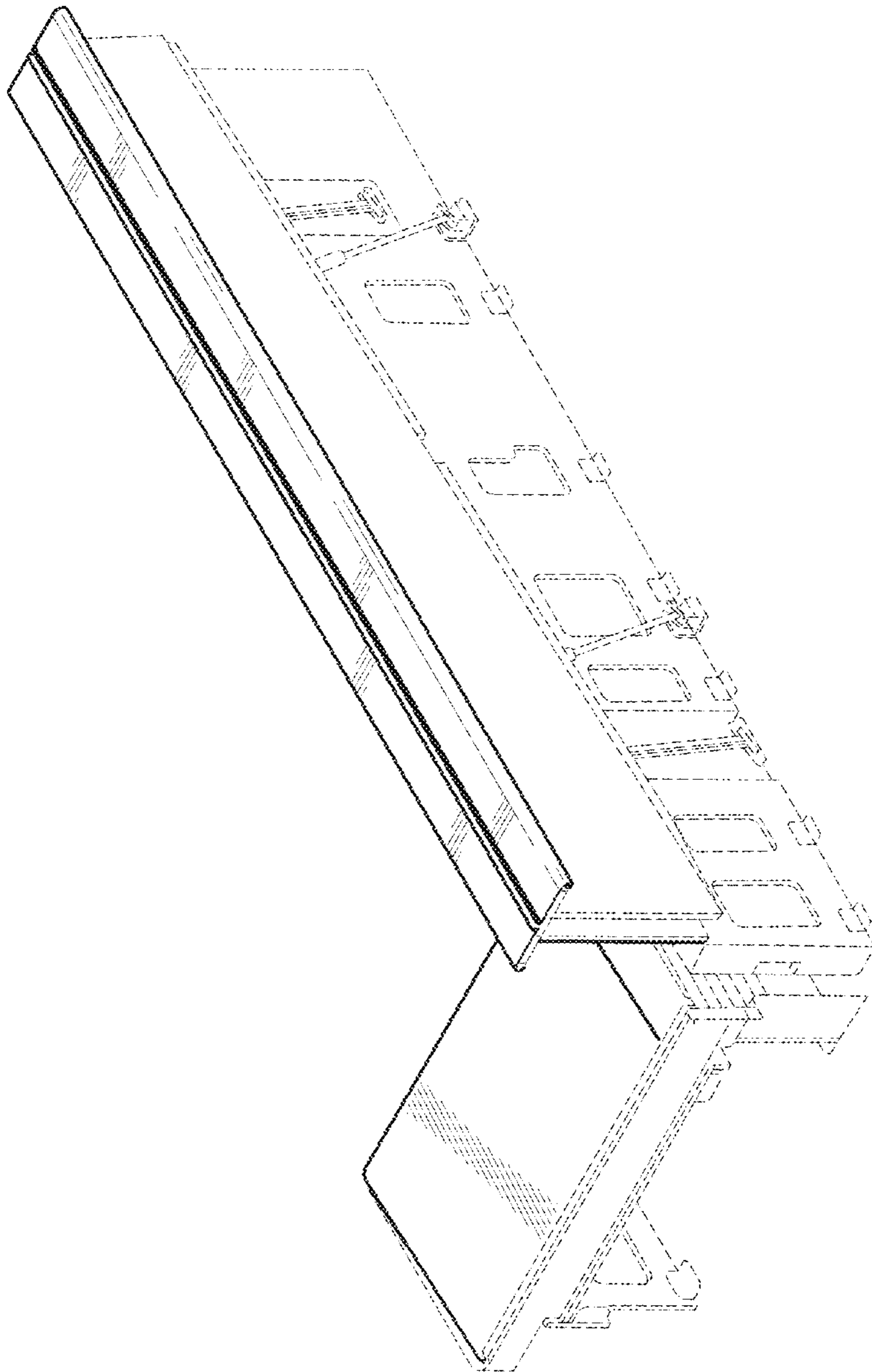


FIG. 18

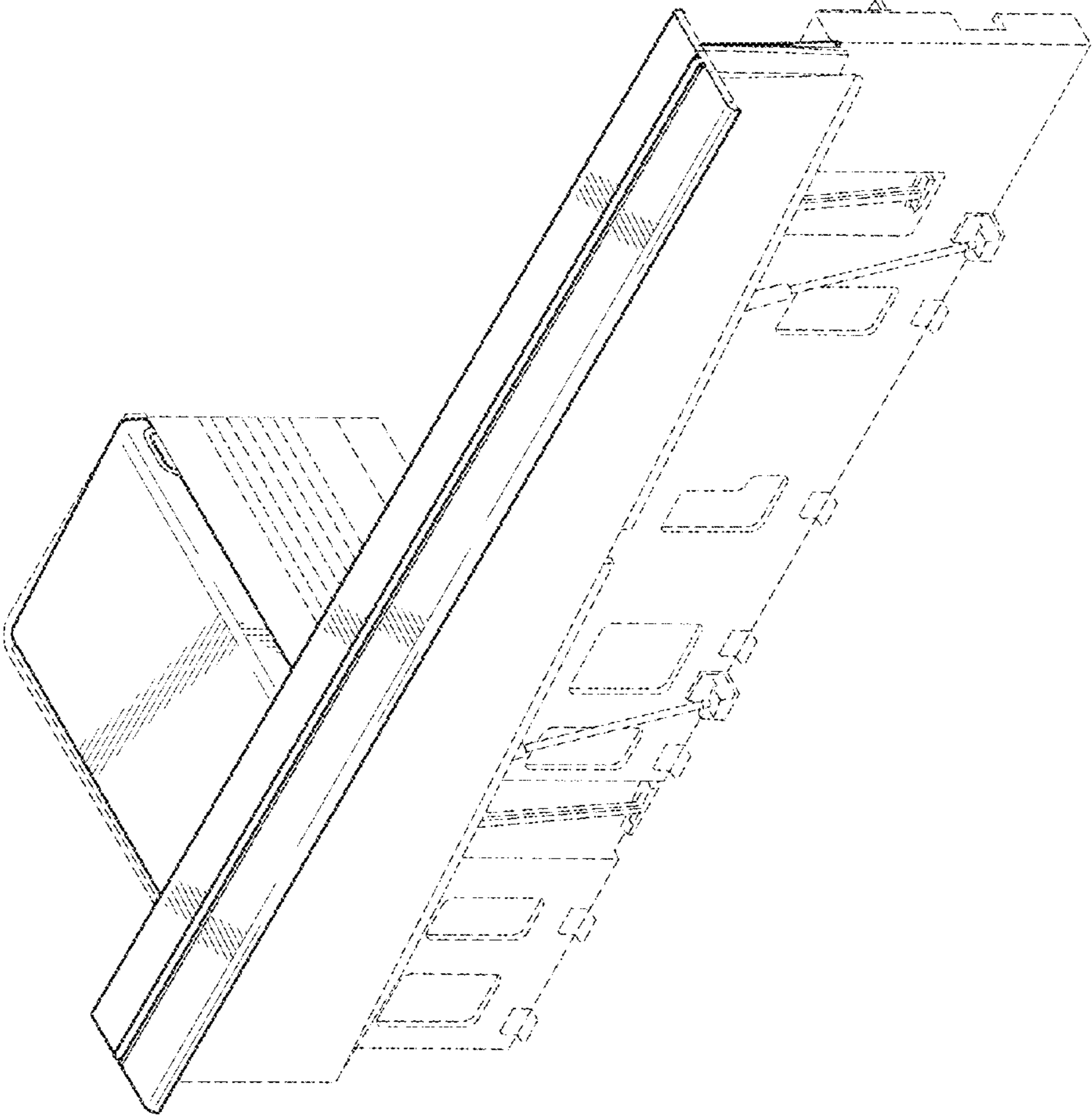


FIG. 19

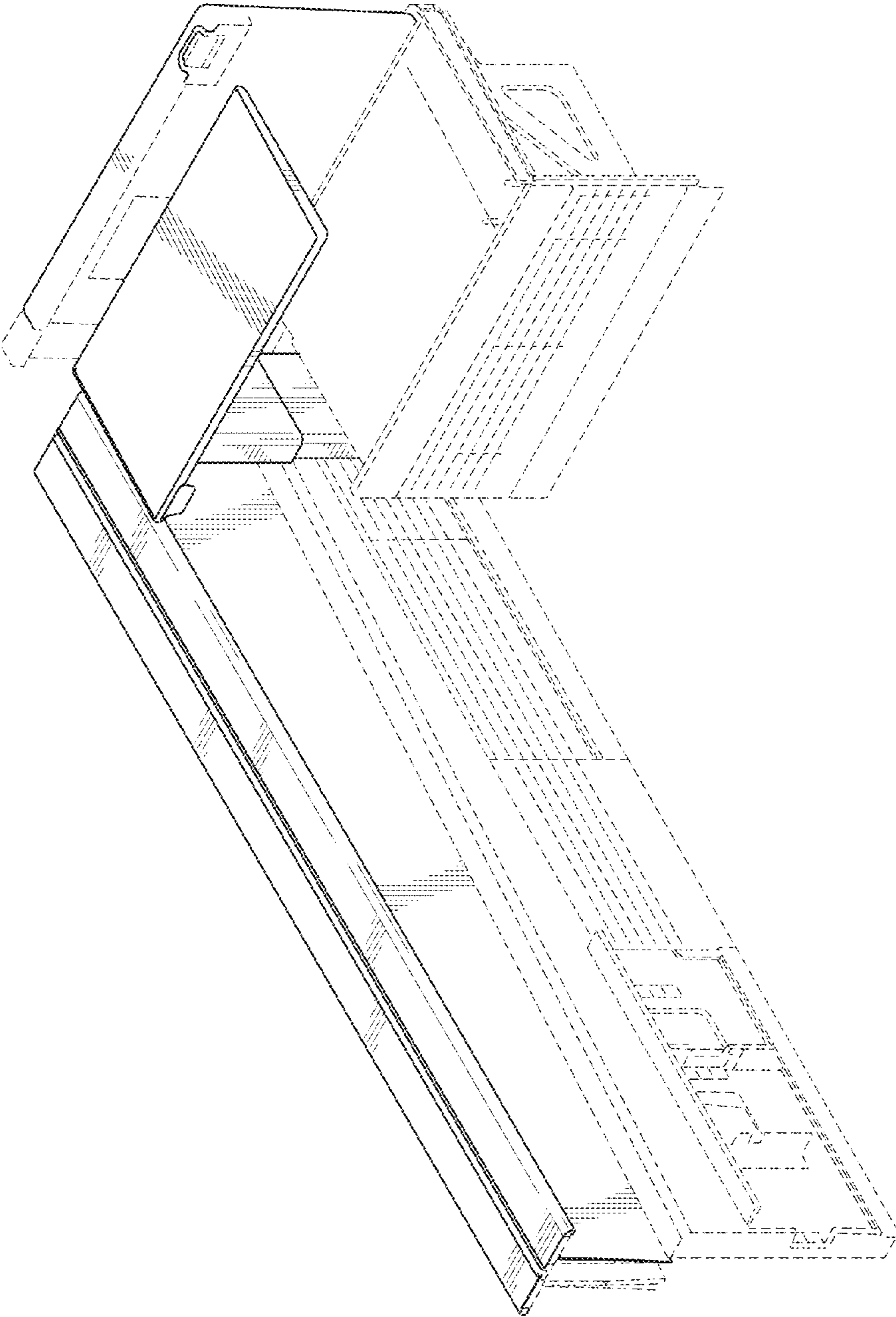


FIG. 20

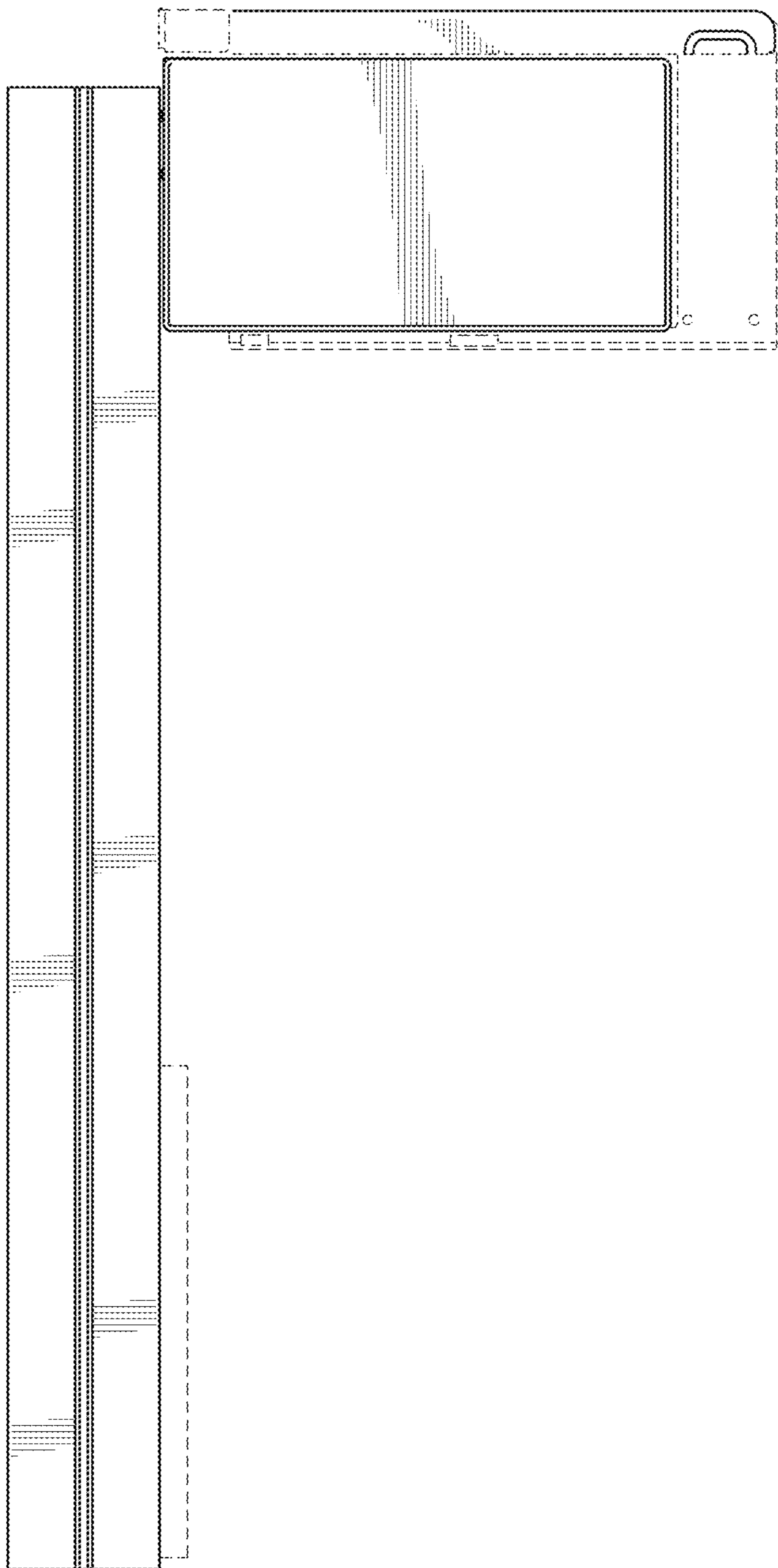


FIG. 21

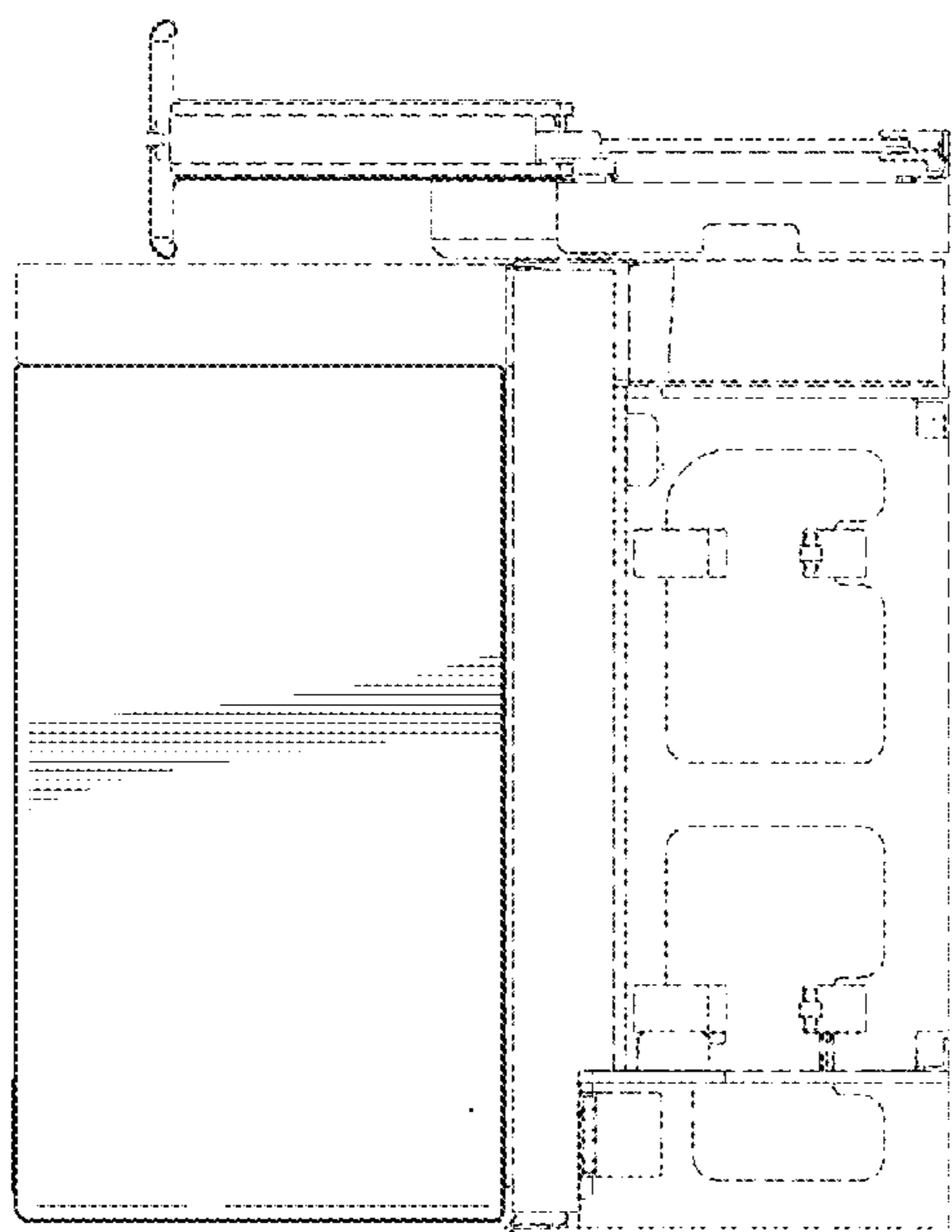


FIG. 22

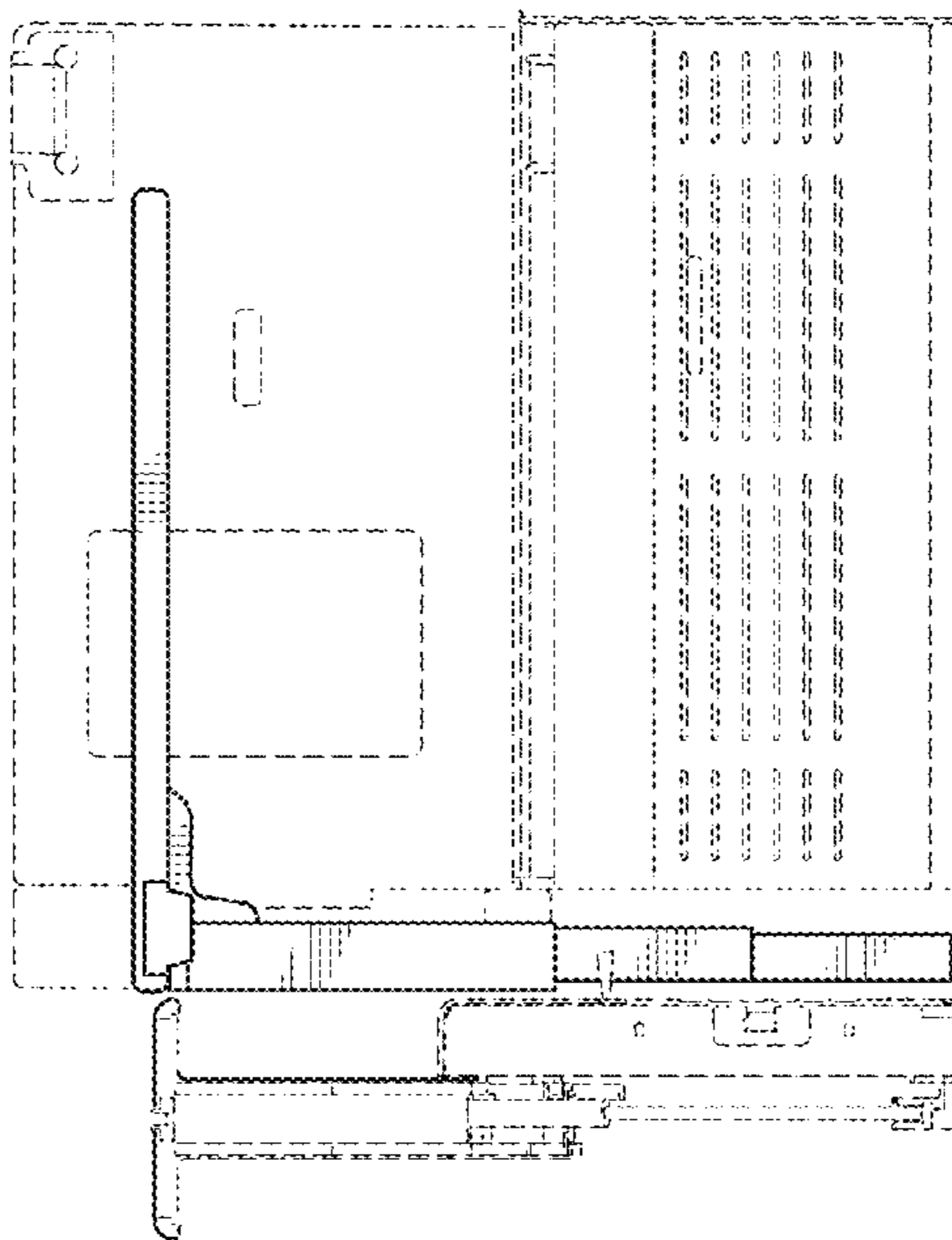


FIG. 23

FIG. 24

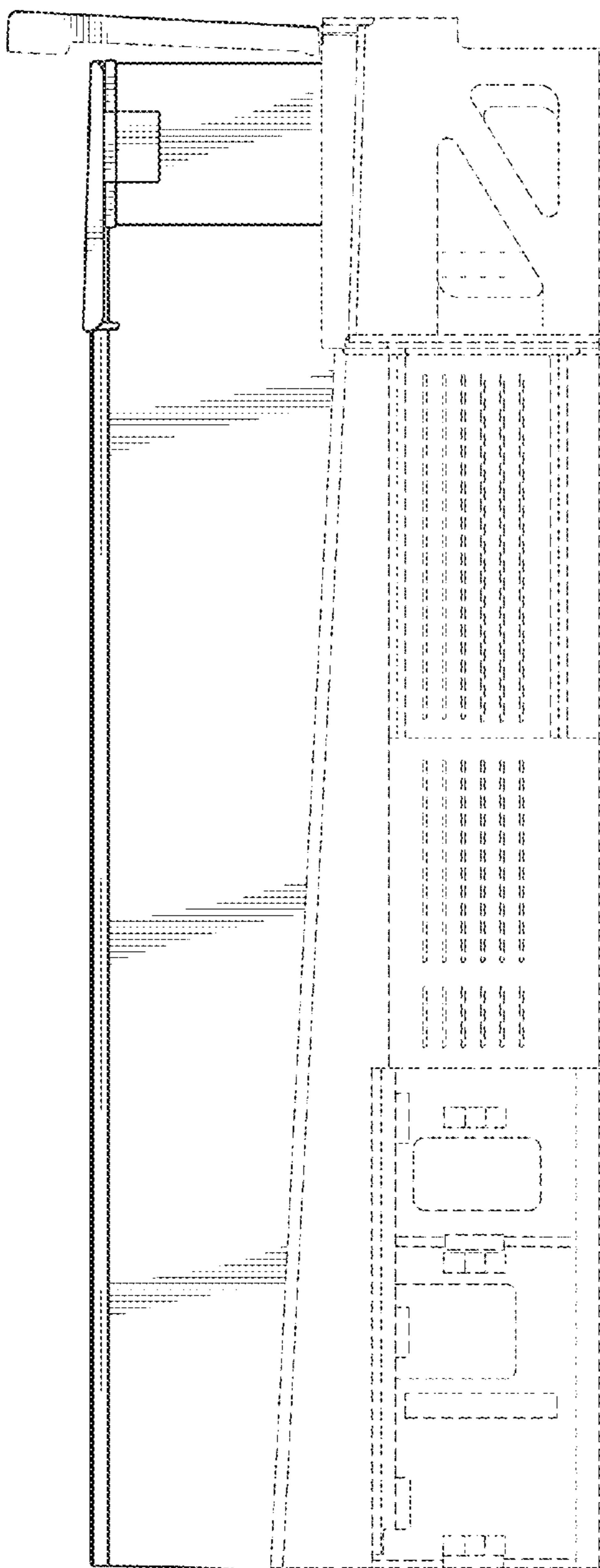
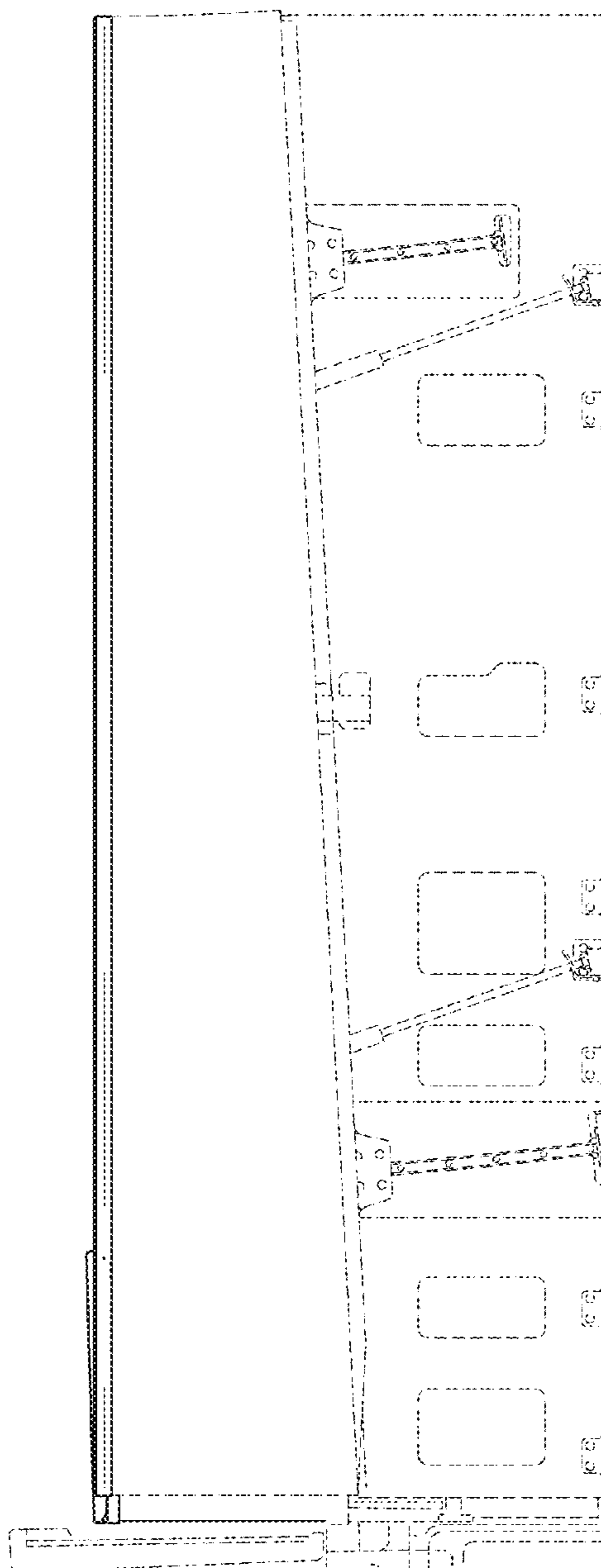


FIG. 25



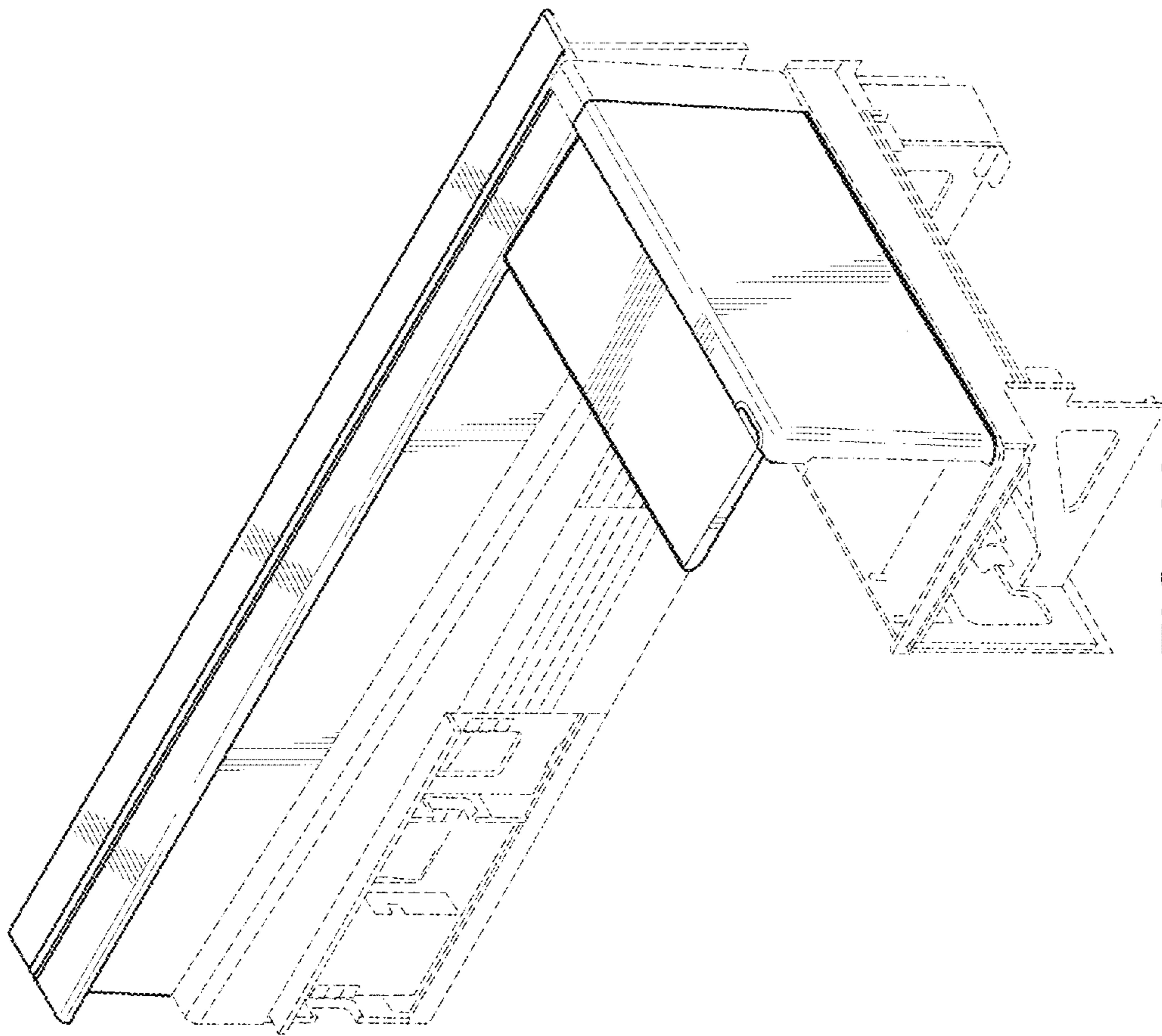


FIG. 26

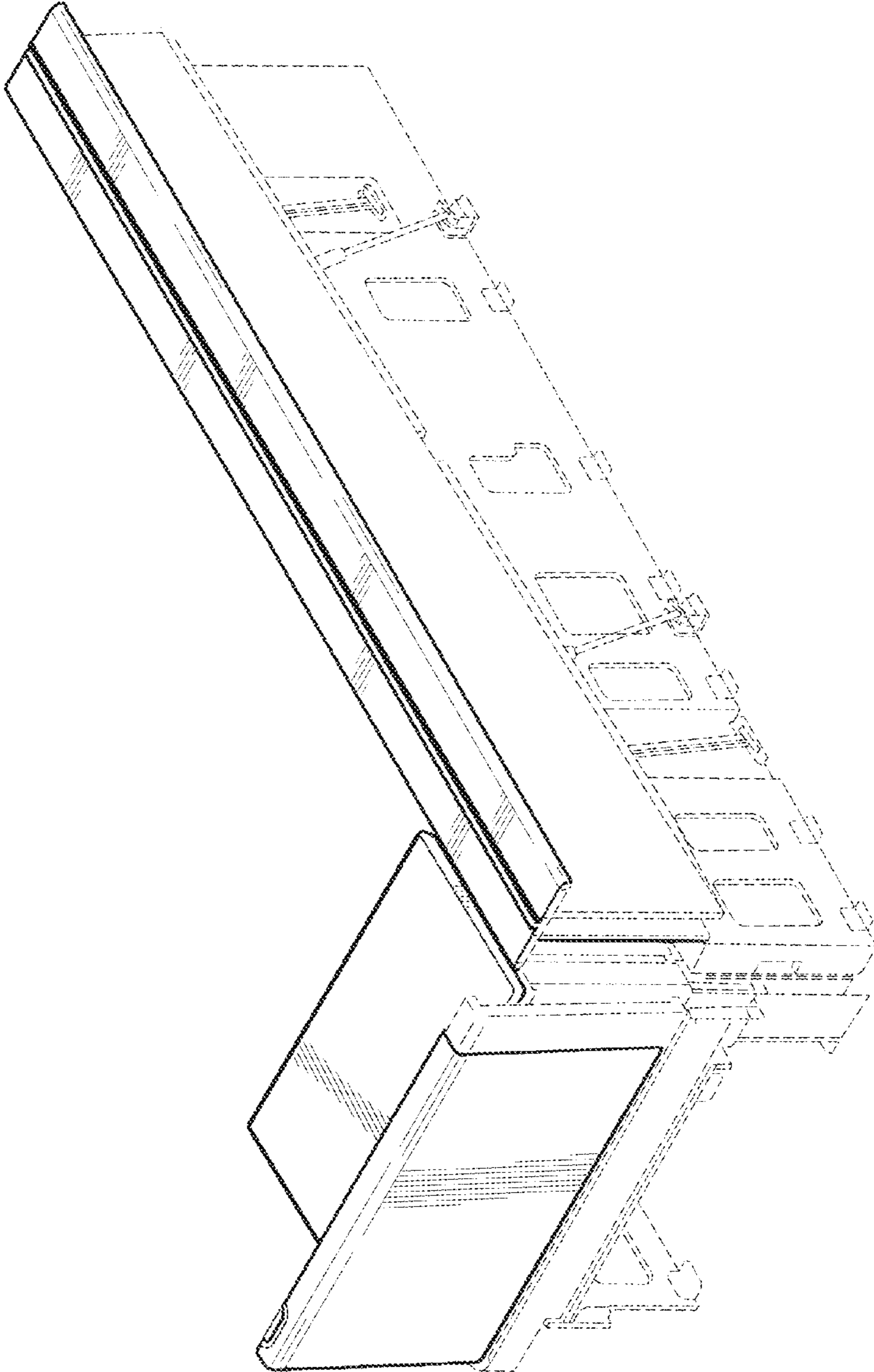


FIG. 27

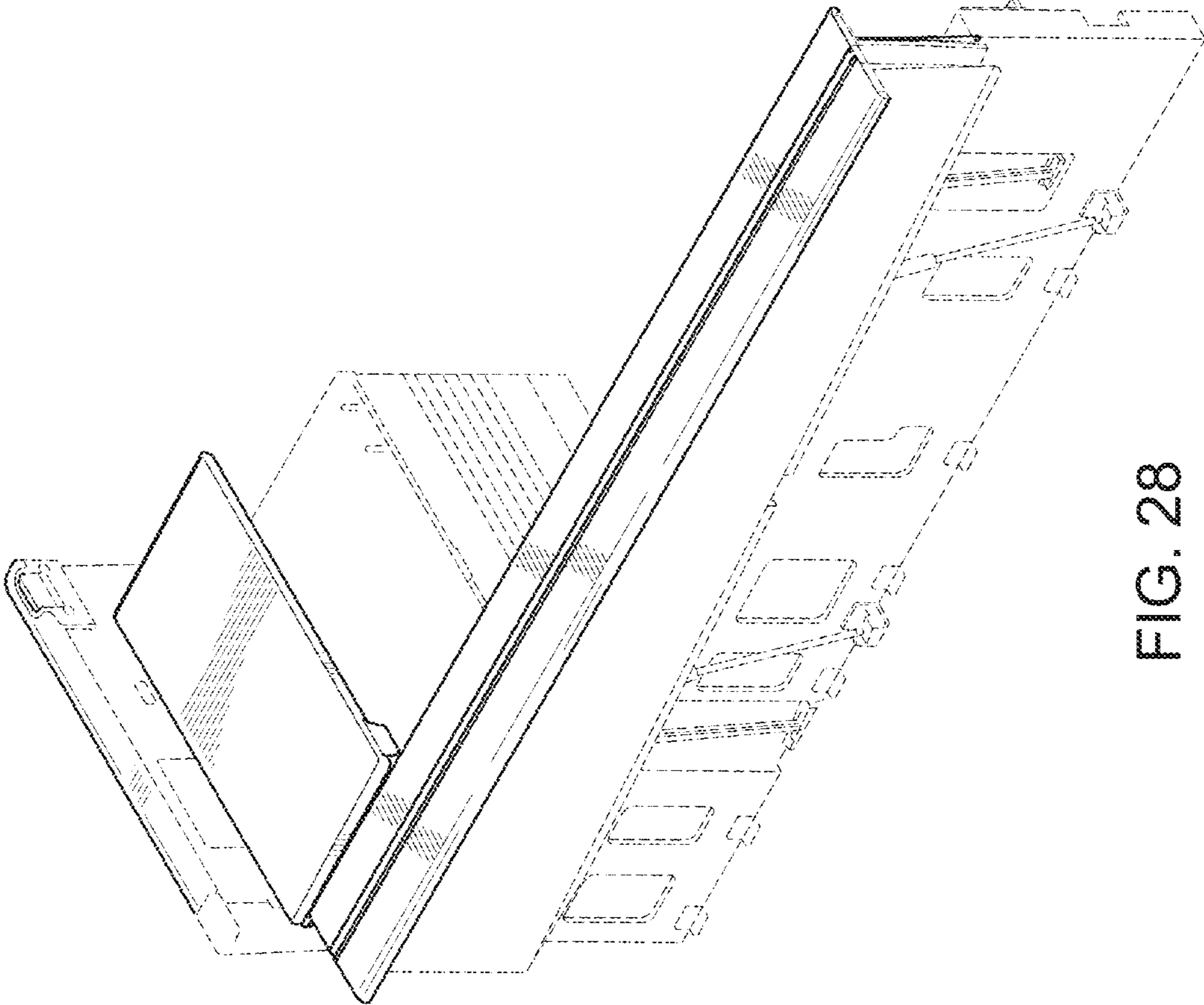


FIG. 28

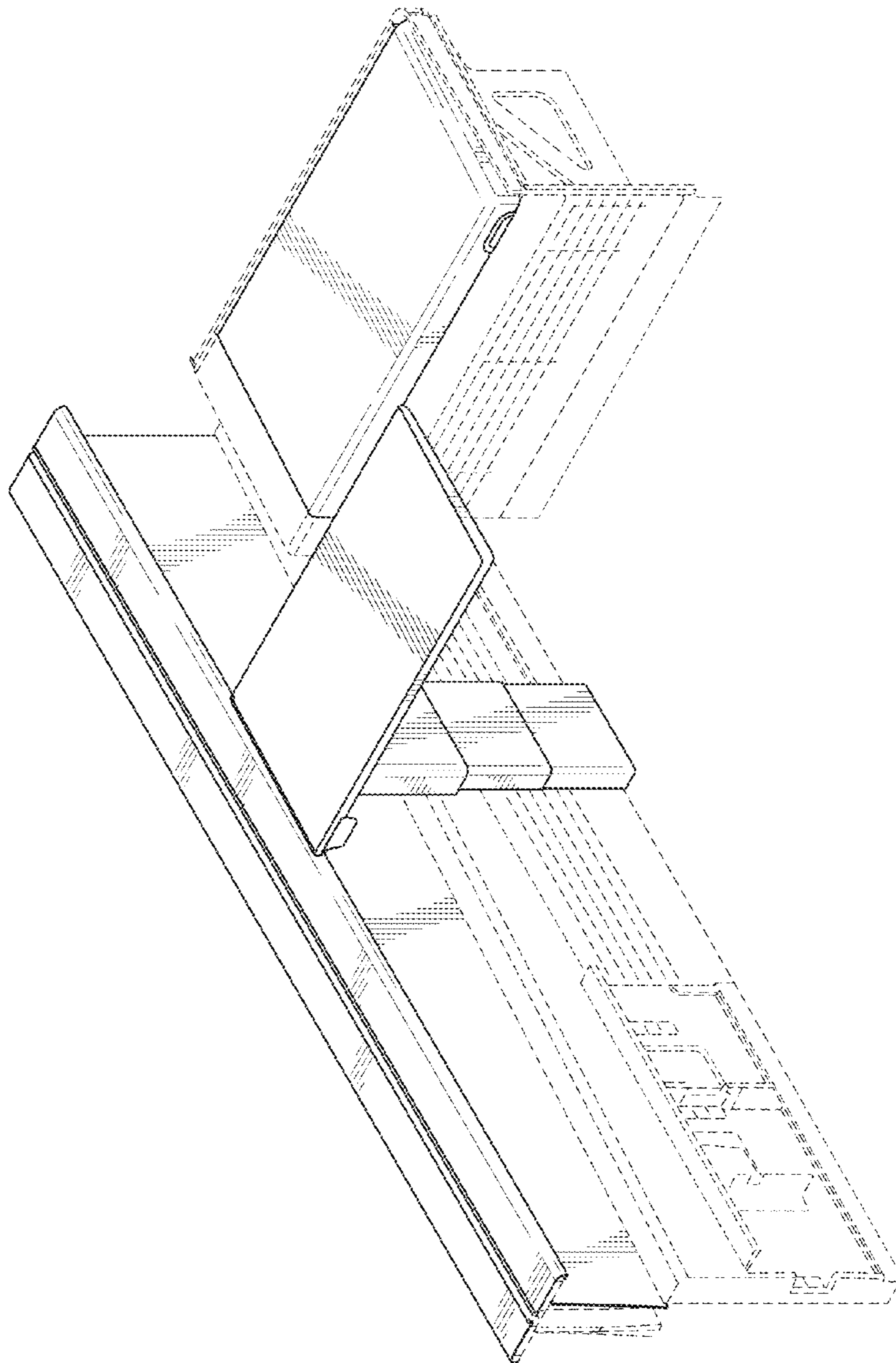


FIG. 29

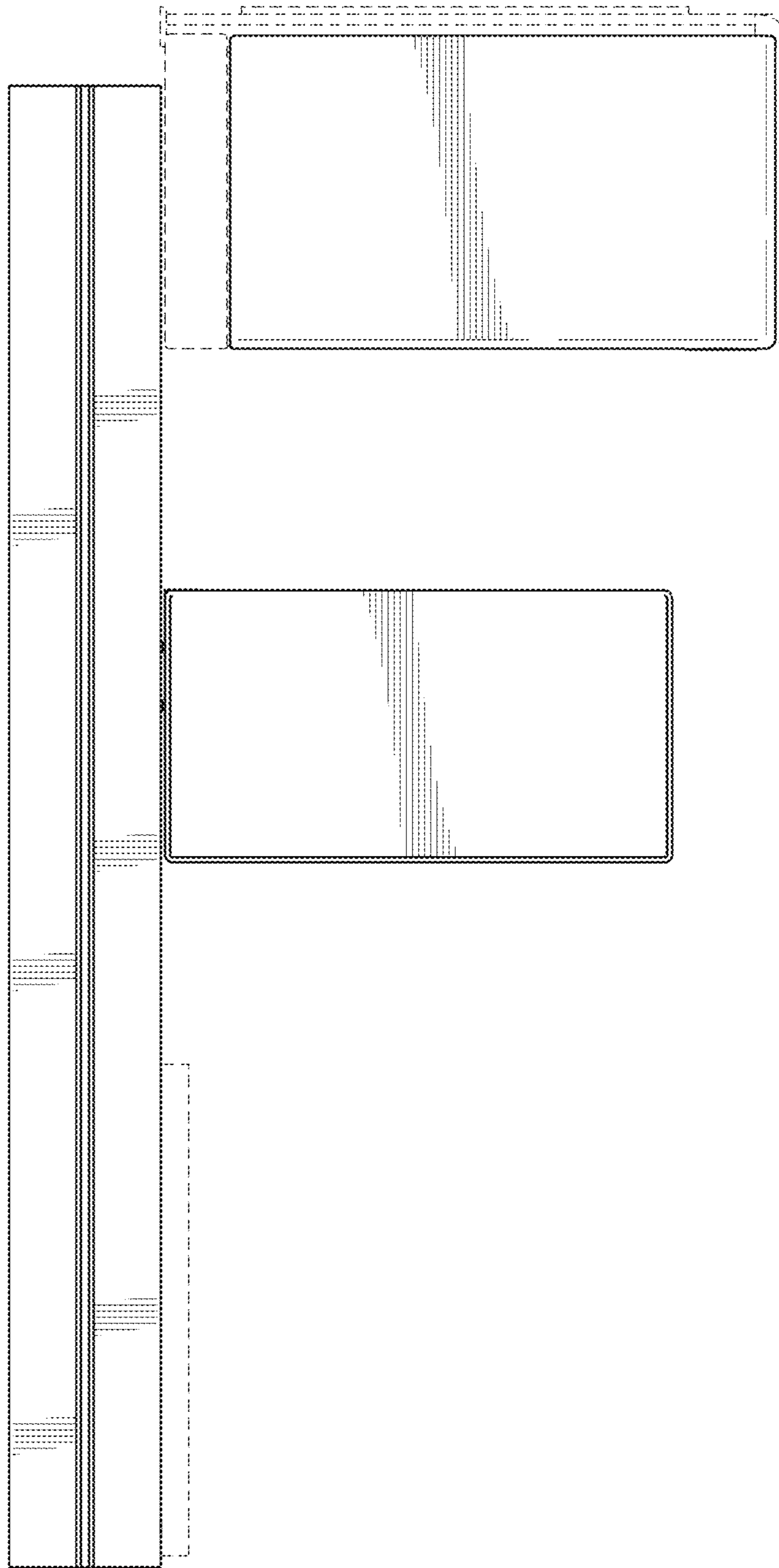


FIG. 30

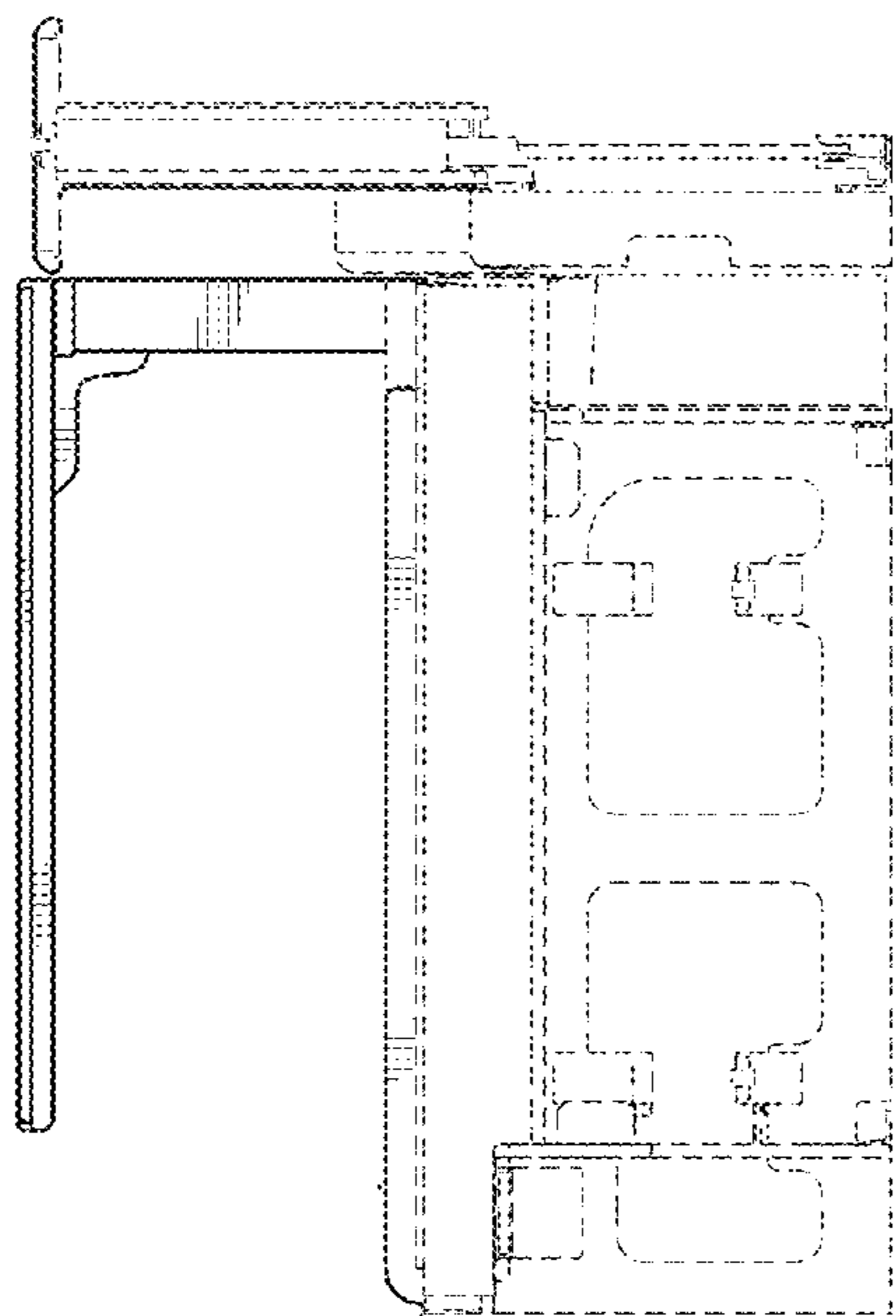


FIG. 31

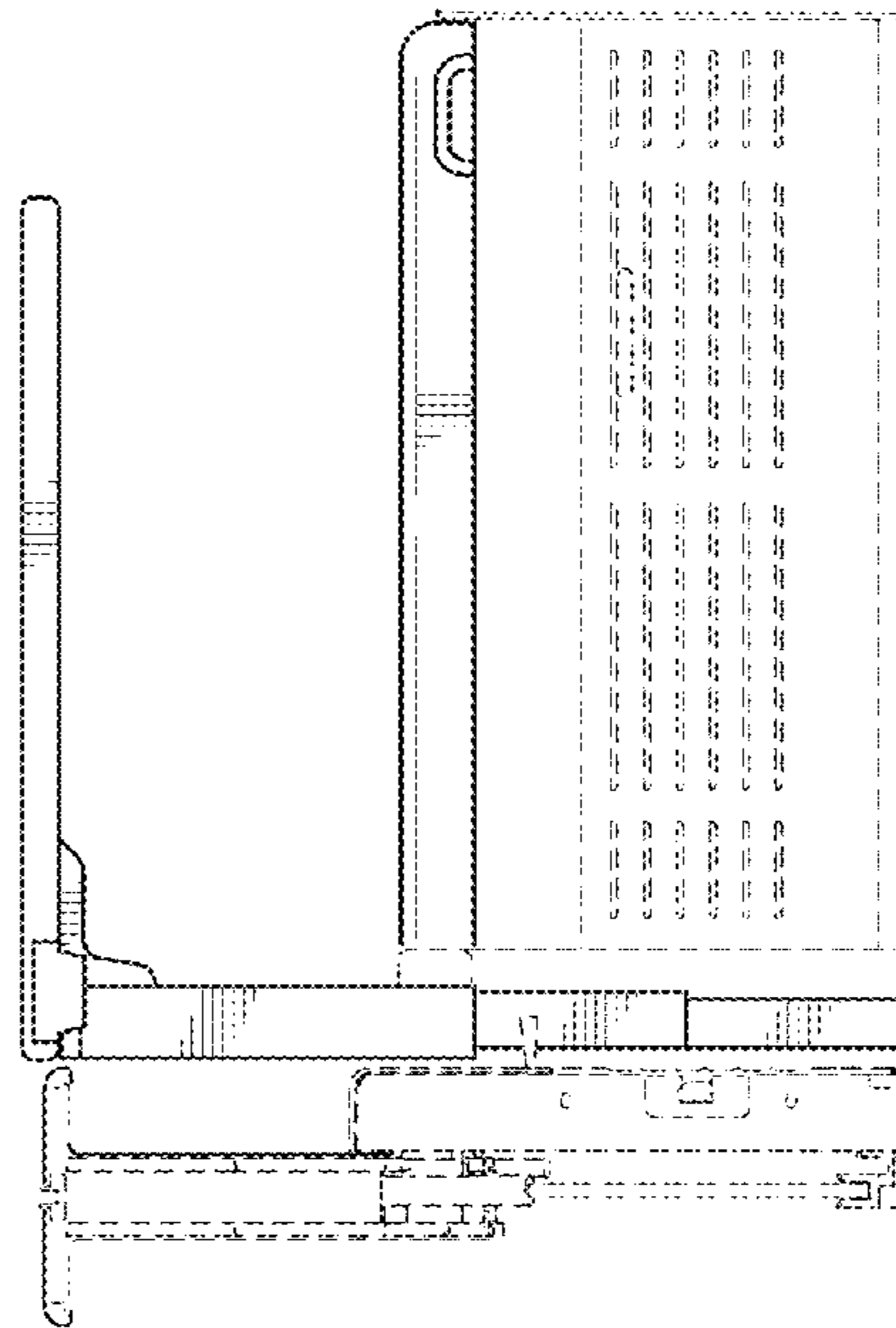


FIG. 32

FIG. 33

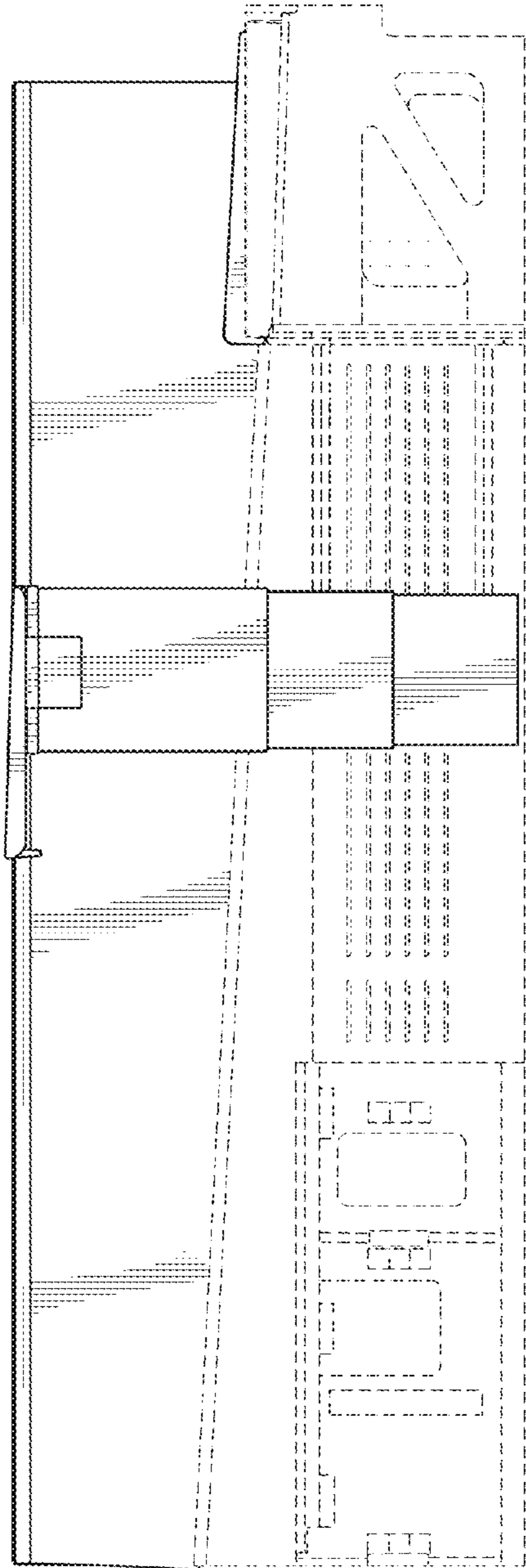
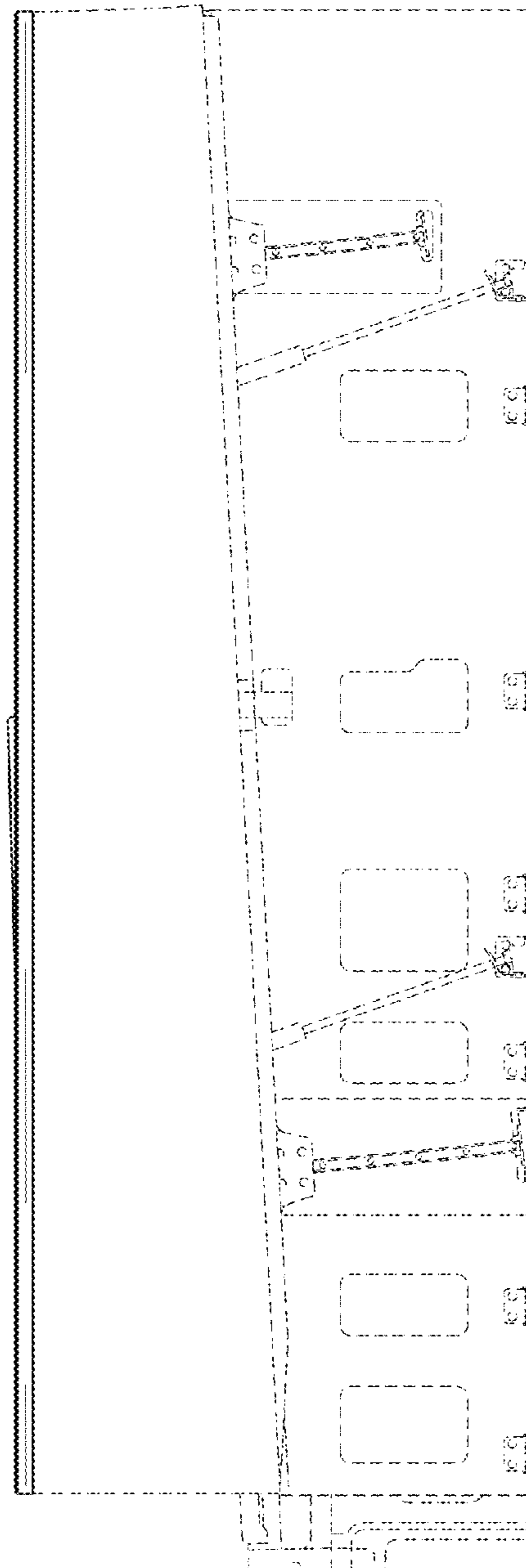


FIG. 34



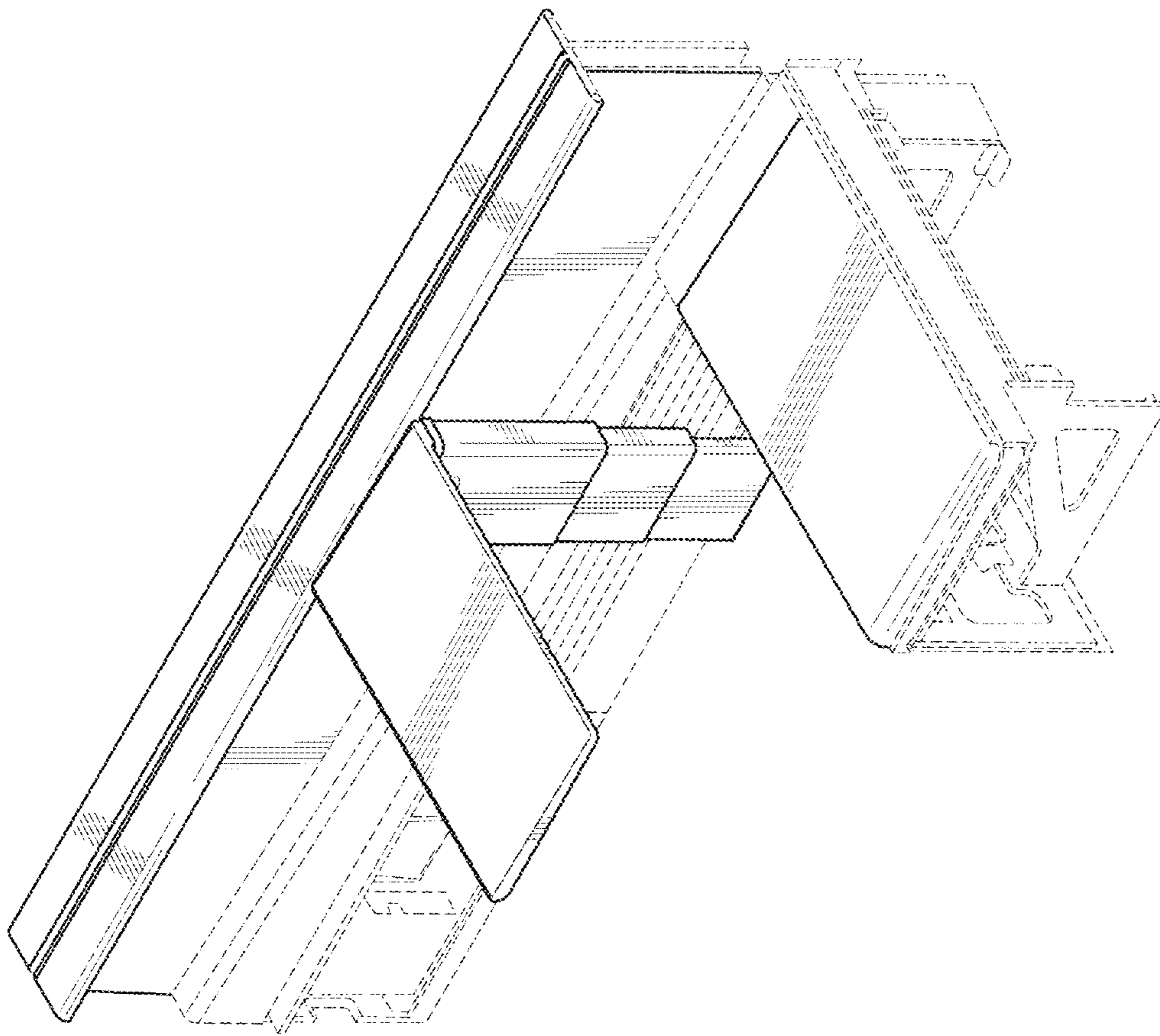


FIG. 35

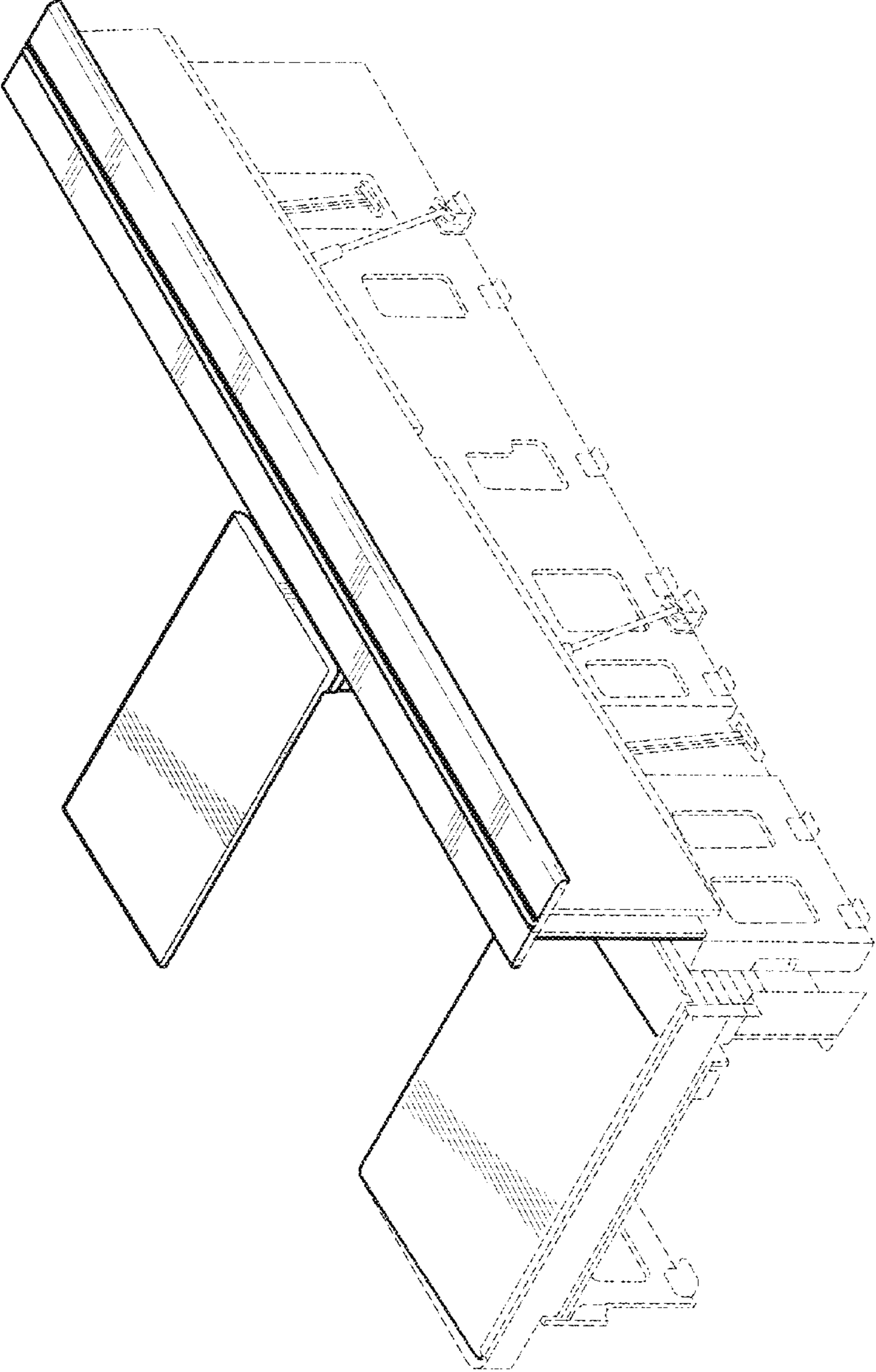


FIG. 36

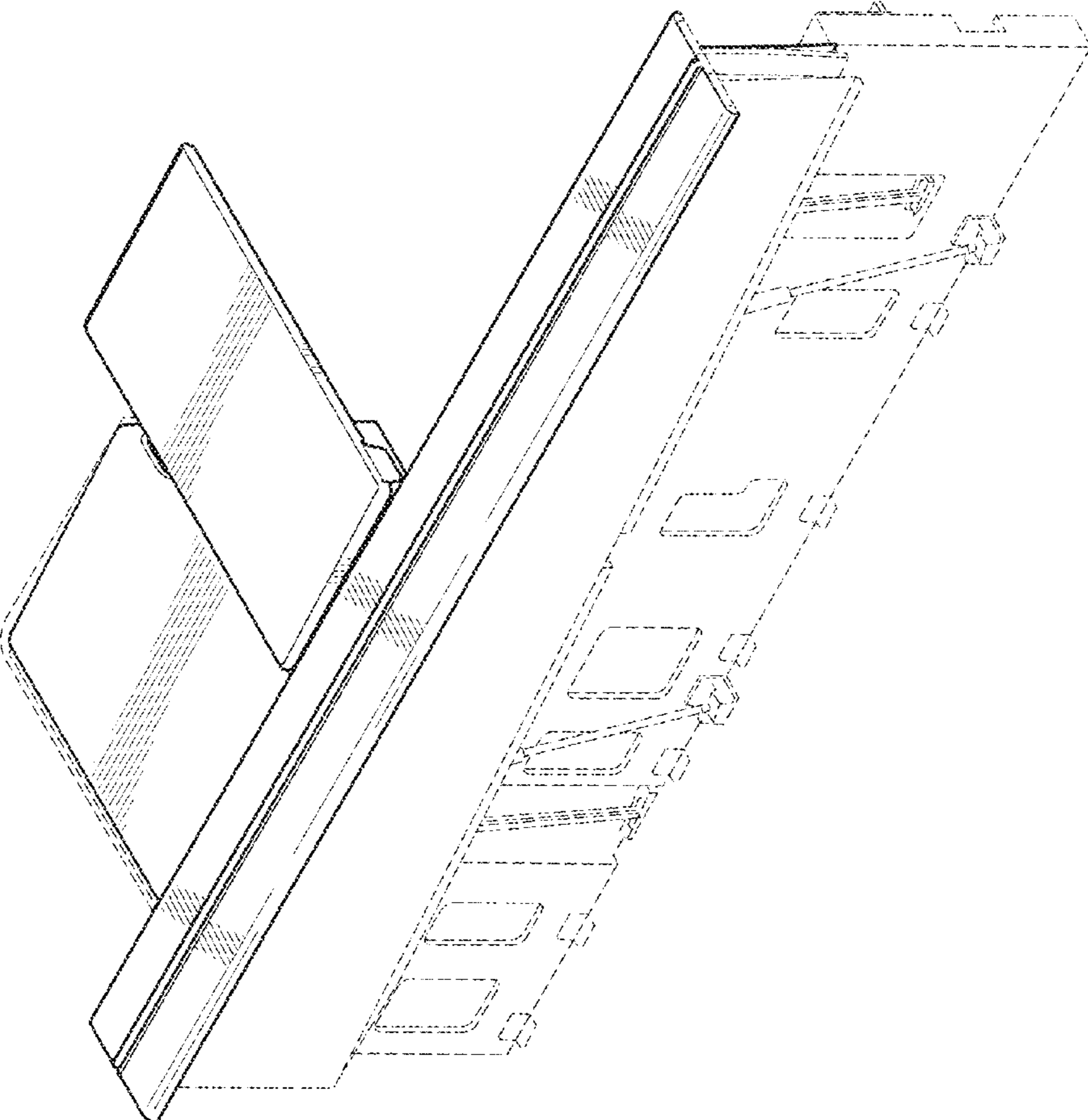


FIG. 37