



US00D736001S

(12) **United States Design Patent**
Yang et al.

(10) **Patent No.:** **US D736,001 S**
(45) **Date of Patent:** **** Aug. 11, 2015**

- (54) **VANITY MIRROR**
- (71) Applicant: **simplehuman, LLC**, Torrance, CA (US)
- (72) Inventors: **Frank Yang**, Rancho Palos Verdes, CA (US); **Tzu-Hao Wei**, Hacienda Heights, CA (US); **Daniel Ballou**, Long Beach, CA (US)
- (73) Assignee: **simplehuman, LLC**, Torrance, CA (US)

D425,313 S 5/2000 Zadro
 D426,182 S 6/2000 Brown
 D431,375 S 10/2000 Zadro

(Continued)

FOREIGN PATENT DOCUMENTS

AU 356220 7/2014
 AU 358072 10/2014

(Continued)

OTHER PUBLICATIONS

Simplehuman Sensor Mirror, available Dec. 31, 2014, [online], [site visited Jan. 8, 2015]. Available from internet, <URL: <http://www.amazon.com/simplehuman-Sensor-Sensor-Activated-Lighted-Magnification/dp/B00M8MC5H4#customerReviews>>.*

(Continued)

Primary Examiner — Cathron Brooks
Assistant Examiner — Teddy Falloway

(74) *Attorney, Agent, or Firm* — Knobbe, Martens, Olson & Bear, LLP

(57) **CLAIM**

The ornamental design for a vanity mirror, as shown and described.

DESCRIPTION

FIG. 1 is a top, front, left-side perspective view of a vanity mirror embodying our design;
 FIG. 2 is a front elevation view thereof;
 FIG. 3 is a rear elevation view thereof;
 FIG. 4 is a right-side elevation view thereof;
 FIG. 5 is a left-side elevation view thereof;
 FIG. 6 is a top plan view thereof; and,
 FIG. 7 is a bottom plan view thereof.
 The broken lines shown are included for the purpose of illustrating portions of the vanity mirror that form no part of the claimed design.

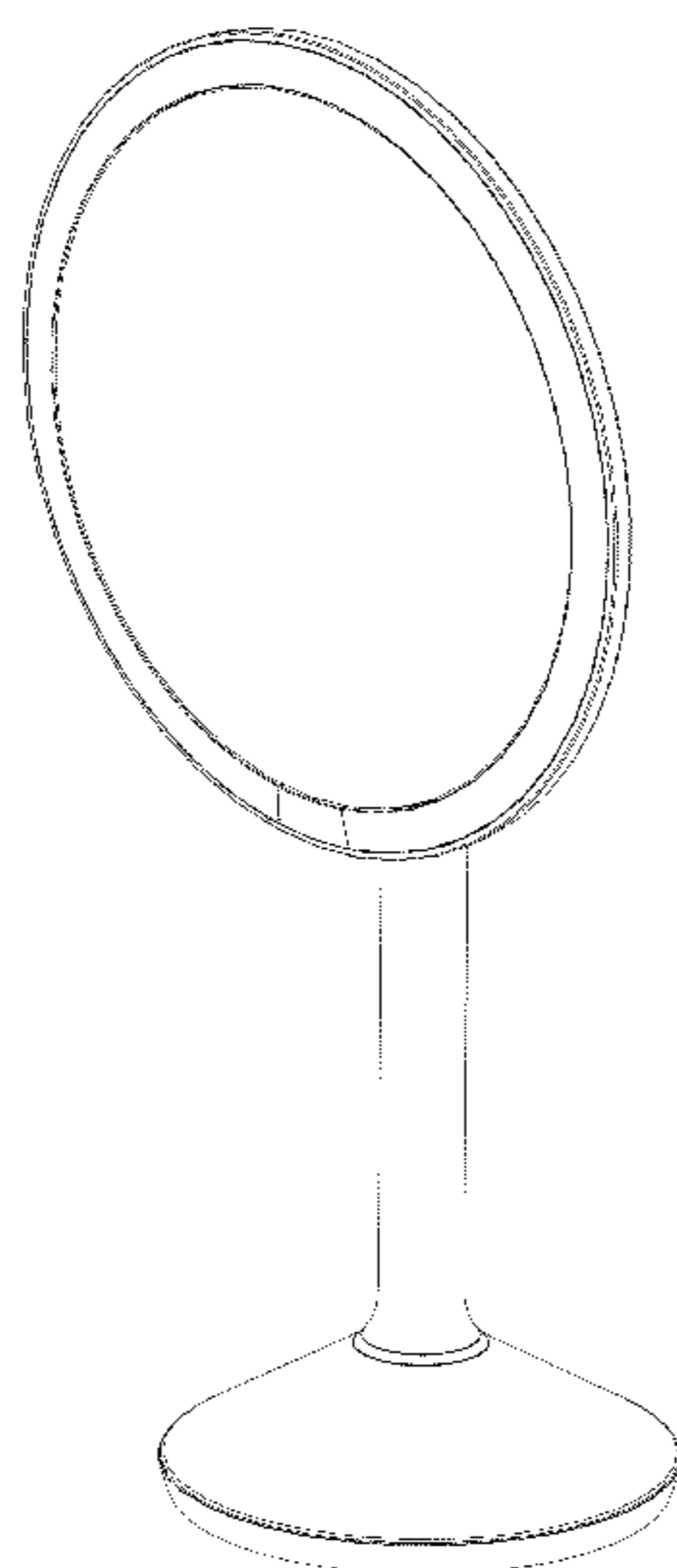
1 Claim, 7 Drawing Sheets

- (**) Term: **14 Years**
- (21) Appl. No.: **29/480,510**
- (22) Filed: **Jan. 27, 2014**
- (51) **LOC (10) Cl.** **06-07**
- (52) **U.S. Cl.**
USPC **D6/309**; D6/312
- (58) **Field of Classification Search**
USPC D6/300–314, 320, 321; D10/122, 123, D10/126; D24/139; D20/10, 21, 29–32; D26/44, 56, 63; D8/352; 359/879; 40/735, 738, 597, 744, 745, 754, 765, 40/768, 769, 790, 798; 248/466–467; D11/131, 133–135
CPC A45D 42/10; A45D 42/16; A45D 42/00; A45D 42/22; F21V 33/004; F21V 21/30; A47G 1/02
See application file for complete search history.

(56) **References Cited**

U.S. PATENT DOCUMENTS

D44,537 S	8/1913	McIsaac	
2,004,166 A *	6/1935	Low	248/346.11
D208,234 S	8/1967	Ely	
3,732,702 A	5/1973	Desch	
D254,208 S *	2/1980	Breslow	D6/309
D309,833 S	8/1990	Wahl	
5,392,162 A	2/1995	Glucksman	
D379,125 S	5/1997	Simjian	
D409,003 S	5/1999	Scavini	



(56)

References Cited

U.S. PATENT DOCUMENTS

6,158,877 A 12/2000 Zadro
 6,241,357 B1 6/2001 Lee
 6,273,585 B1* 8/2001 Wu 362/135
 6,305,809 B1 10/2001 Zadro
 D474,432 S 5/2003 Good
 6,604,836 B2 8/2003 Carlucci et al.
 6,886,351 B2 5/2005 Palfy et al.
 D508,883 S* 8/2005 Falconer D12/189
 D509,369 S* 9/2005 Snell D6/310
 D511,413 S 11/2005 Yue
 7,004,599 B2 2/2006 Mullani
 7,048,406 B1* 5/2006 Shih 362/135
 7,090,378 B1 8/2006 Zadro
 D532,981 S 12/2006 Zadro
 7,341,356 B1 3/2008 Zadro
 D569,671 S* 5/2008 Thompson et al. D6/568
 7,393,115 B2 7/2008 Tokushita et al.
 D574,159 S 8/2008 Howard
 7,513,476 B1* 4/2009 Huang 248/474
 D635,009 S 3/2011 Paterson
 D639,077 S 6/2011 DeBretton Gordon
 D647,444 S* 10/2011 Manukyan et al. D12/187
 D649,790 S* 12/2011 Pitot D6/309
 D652,220 S 1/2012 Pitot
 D656,979 S 4/2012 Yip et al.
 D657,425 S 4/2012 Podd
 D657,576 S* 4/2012 Pitot D6/309
 8,162,502 B1 4/2012 Zadro
 D658,604 S 5/2012 Egawa et al.
 D660,367 S 5/2012 Podd
 D660,368 S 5/2012 Podd
 D660,369 S 5/2012 Podd
 8,194,133 B2 6/2012 DeWind et al.
 D665,030 S* 8/2012 Podd D20/42
 D666,010 S 8/2012 Farley
 8,356,908 B1* 1/2013 Zadro 362/136
 D679,102 S 4/2013 Gilboe et al.
 D689,701 S* 9/2013 Mischel et al. D6/309
 D699,448 S 2/2014 Yang et al.
 D699,952 S 2/2014 Yang et al.
 D701,050 S 3/2014 Yang et al.
 D711,871 S 8/2014 Cope
 D711,874 S* 8/2014 Cope D14/374
 D712,963 S* 9/2014 Fleet D19/113
 2002/0196333 A1 12/2002 Gorischek
 2003/0030063 A1 2/2003 Sosniak et al.
 2003/0031010 A1 2/2003 Sosniak et al.
 2004/0020509 A1 2/2004 Waisman
 2005/0243556 A1 11/2005 Lynch
 2006/0186314 A1* 8/2006 Leung 250/208.1
 2008/0130305 A1 6/2008 Wang et al.
 2008/0258110 A1 10/2008 Oshio
 2008/0298080 A1 12/2008 Wu et al.
 2010/0118520 A1 5/2010 Stern et al.
 2010/0296298 A1 11/2010 Martin, Jr.
 2011/0058269 A1 3/2011 Su
 2011/0211079 A1 9/2011 Rolston
 2013/0026512 A1* 1/2013 Tsai 257/91
 2013/0077292 A1* 3/2013 Zimmerman 362/142
 2013/0235607 A1 9/2013 Yang et al.
 2013/0235610 A1 9/2013 Yang et al.
 2015/0060431 A1 3/2015 Yang et al.

FOREIGN PATENT DOCUMENTS

CA 147356 4/2013
 CA 152609 5/2014
 CN 302432849 5/2013
 CN 302770592 S 3/2014

CN 302984538 S 10/2014
 CN 303091369 S 1/2015
 DE 20014279 U1 2/2001
 DE 102004042929 A1 3/2006
 DE 202009004795 U1 9/2009
 DE 202010000170 U1 7/2010
 EP 1792553 A2 6/2007
 EP 2636336 A1 9/2013
 EP 001403620-0001 5/2014
 EP 001403620-0002 5/2014
 EP 001403620-0003 5/2014
 EP 001403620-0004 5/2014
 EP 001417034-0001 7/2014
 EP 001420517-0001 9/2014
 EP 2845522 A1 3/2015
 JP 2008-073174 A 4/2008

OTHER PUBLICATIONS

Simplehuman Mini Sensor Mirror, available Mar. 11, 2014, [online], [site visited Jan. 8, 2015]. Available from internet, <URL: http://www.amazon.com/gp/product/B00FZ3MFAA/ref=pd_Ipo_sbs_dp_ss_2?pf_rd_p=1944579862&pf_rd_s=Ipo-top-stripe-1&pf_rd_t=201&pf_rd_i=B00M8MC5H4&pf_rd_m=ATVPDKIKX0DER&pf_rd_r=0RHFJEABM9QKSWJKK99N#Ask.*>
 Simple Human Sensor Mirror, available Jan. 27, 2013, [online], [site visited Dec. 2, 2014]. Available from internet, <URL: <http://www.tuvie.com/stainless-steel-sensor-mirror-by-simplehuman/>>.*
 Simple Human Vanity Mirror, available from internet at <http://www.bedbathandbeyond.com/store/products/simplehuman-reg-5x-sensor-vanity-mirror/1041483503?categoryId=12028>, available at least as early as Dec. 19, 2013, site visited Dec. 2, 2014.
 Simple Human Sensor Mirror, Internet Archive Wayback Machine webpage capture of <http://www.tuvie.com/stainless-steel-sensor-mirror-by-simplehuman/>, available at least as early as Jan. 27, 2013, site visited Dec. 2, 2014.
 Brookstone Shower Mirror, available from internet at http://www.brookstone.com/9-Lighted-Fogless-Shower-Mirror?bkiid=?SubCategory_Bath_Spa_Mirrors_Lighting_Makeup_Mirrors%7CSubCategoryWidget%7C608364p&catId=n/, available at least as early as Jan. 15, 2013, site visited Dec. 2, 2014.
 U.S. Appl. No. 29/464,995, filed Aug. 22, 2013, Yang et al.
 U.S. Appl. No. 29/484,906, filed Mar. 13, 2014, Yang et al.
 U.S. Appl. No. 14/475,045, filed Sep. 2, 2014, Yang et al.
 U.S. Appl. No. 29/519,719, filed Mar. 6, 2015, Yang et al.
 Simplehuman Wall Mount Mirror, available from internet at <http://www.amazon.com/simplehuman-Wall-Mount-Sensor-Mirror/dp/B00FN92ELG#customerReviews>, earliest customer review on this webpage appears to be dated Jan. 31, 2013, site visited Jan. 8, 2015.
 Jerdon Wall Mounted Mirror, available from internet at http://www.amazon.com/Jerdon-HL1016NL-9-5-Inch-Lighted-Magnification/dp/B00413G9K2/ref=sr_1_26?ie=UTF8&qid=1420579897&sr=8-26&keywords=wall+mounted+mirror#customerReviews, apparently available Feb. 21, 2009, site visited Jan. 8, 2015.
 Jerdon Wall Mounted Mirror, available from internet at http://www.amazon.com/Jerdon-JD7C-9-Inch-Lighted-Magnification/dp/B001DKVC08/ref=sr_1_54?ie=UTF8&qid=1420580127&sr=8-54&keywords=wall+mounted+mirror, apparently available Oct. 6, 2010, site visited Jan. 8, 2015.

* cited by examiner

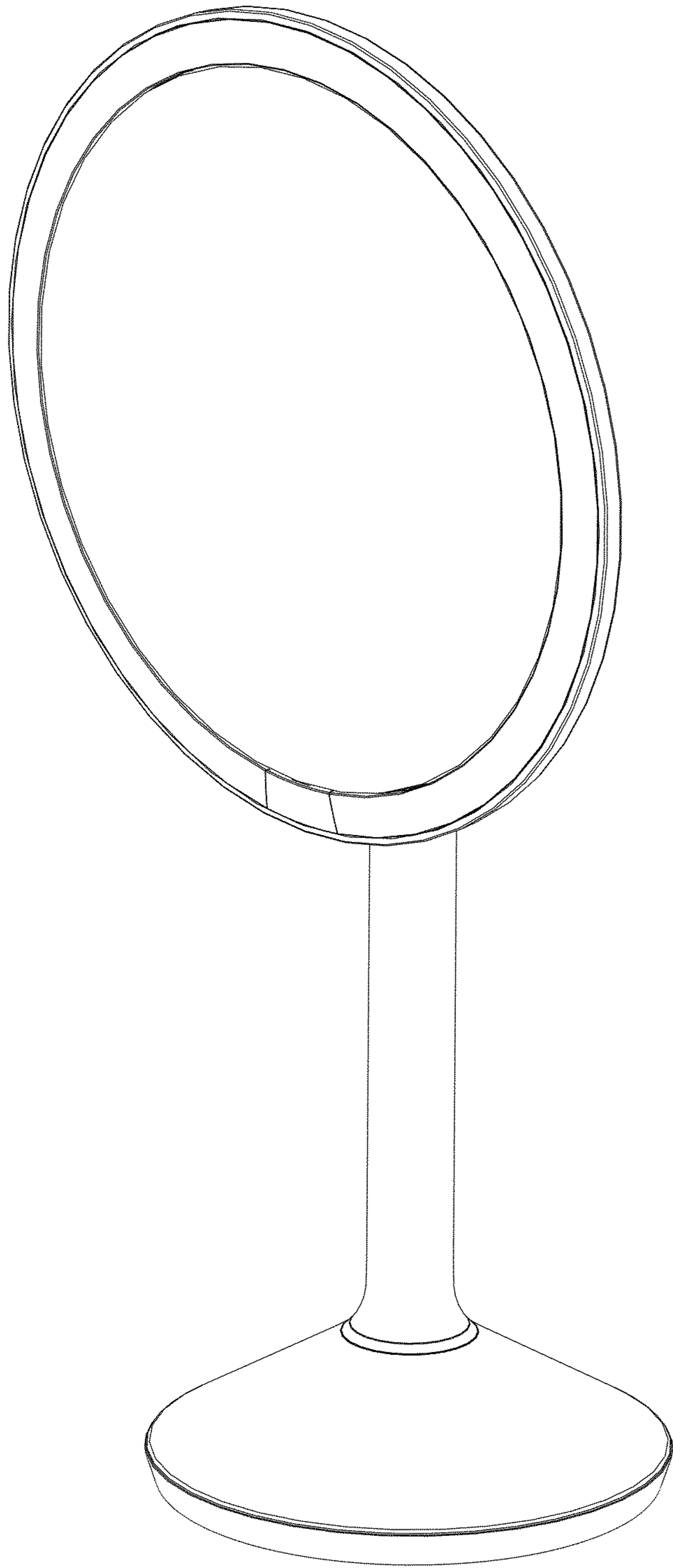


FIG.1

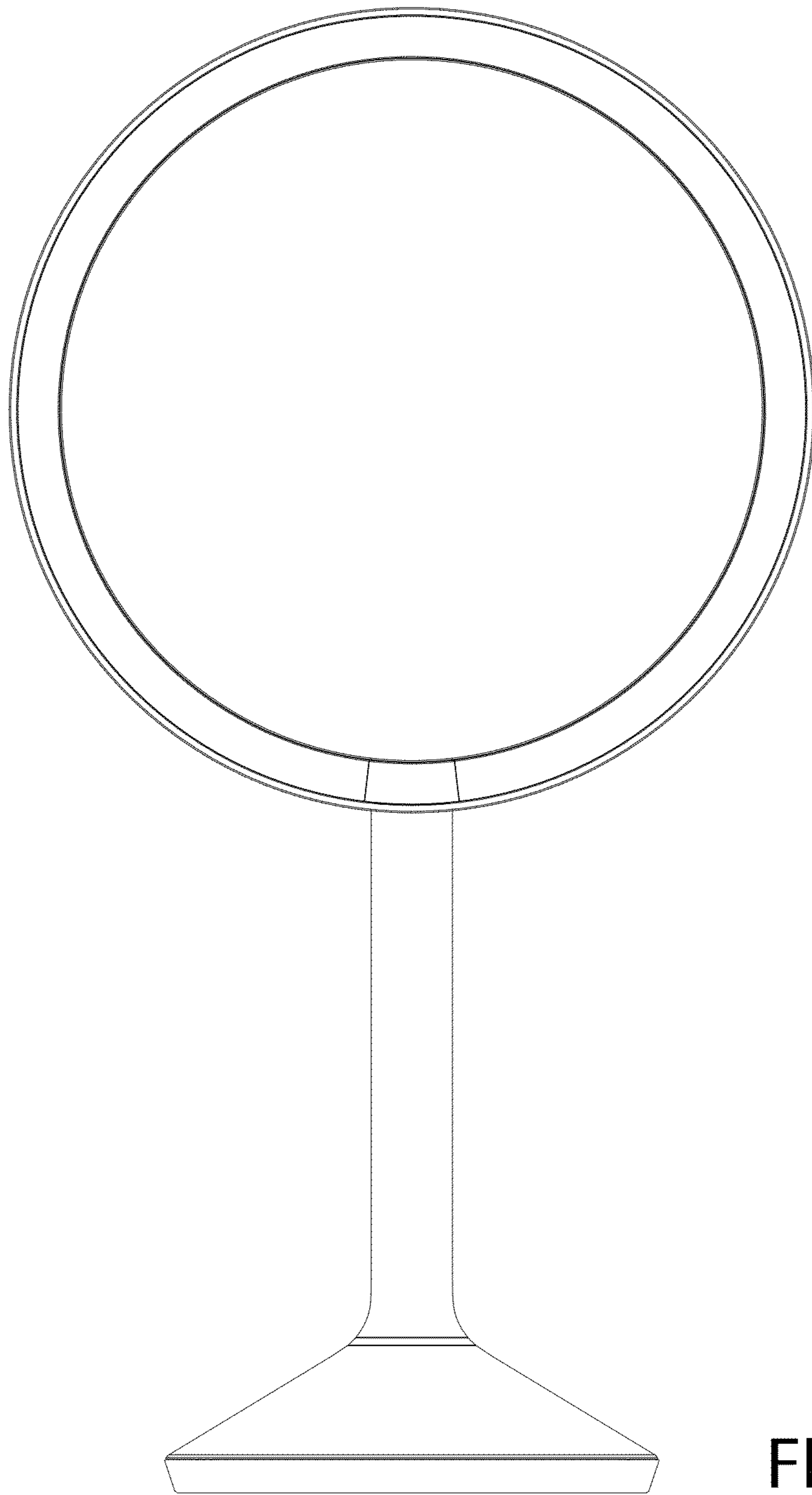


FIG.2

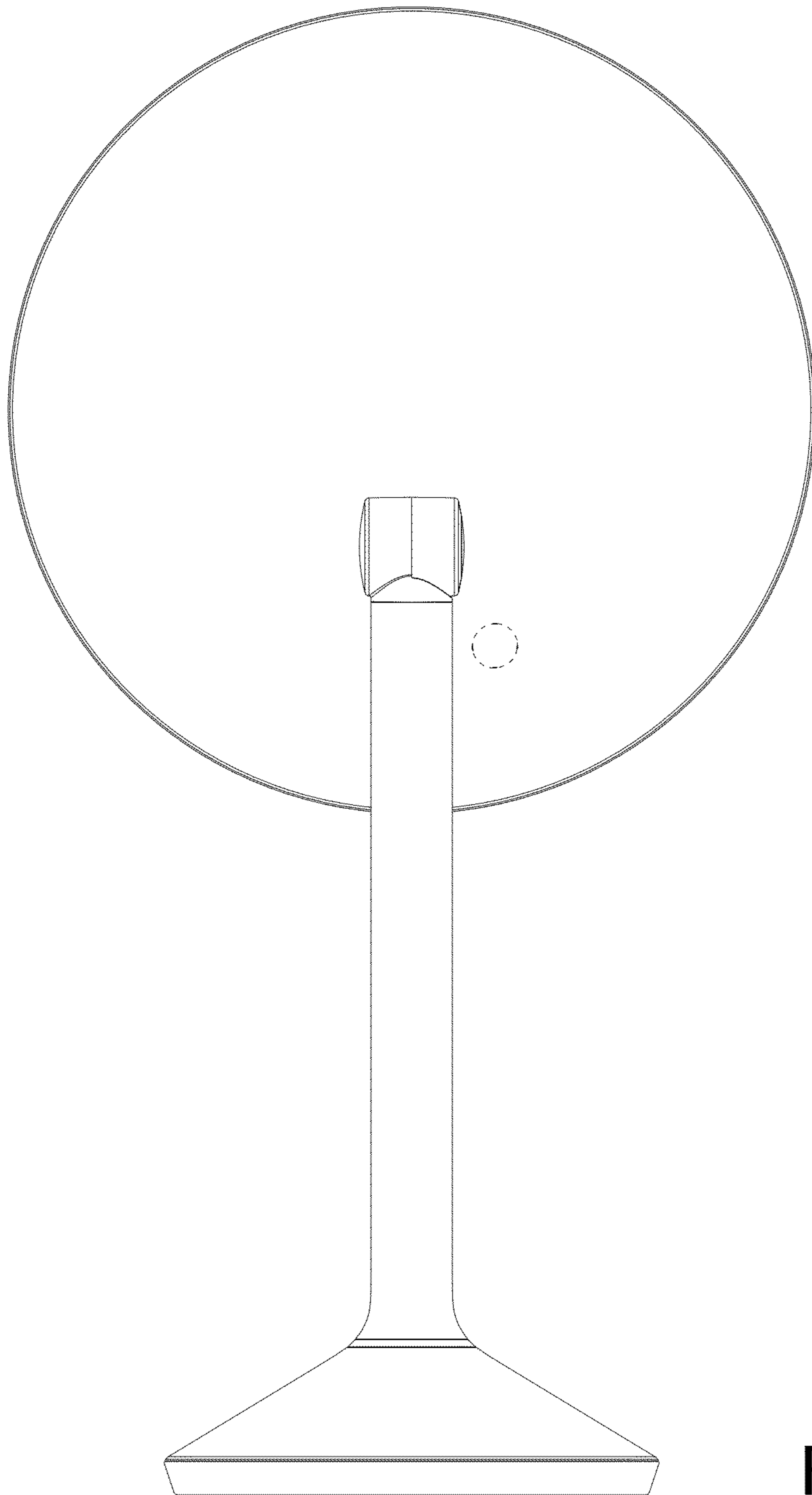


FIG. 3

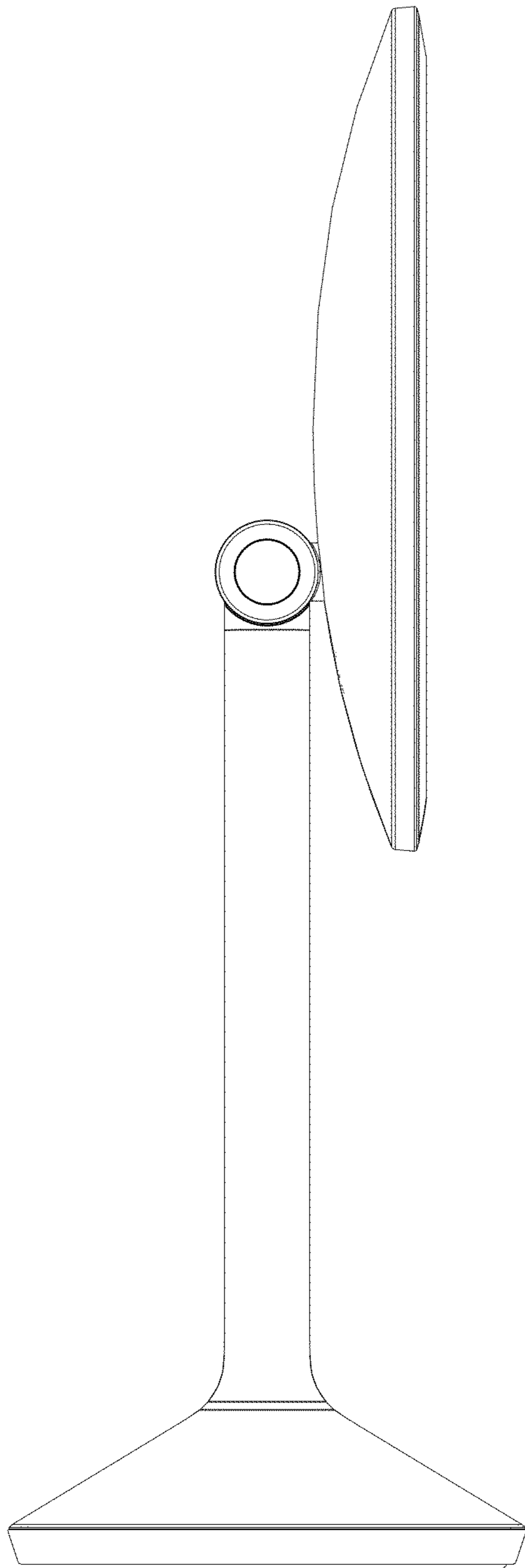


FIG.4

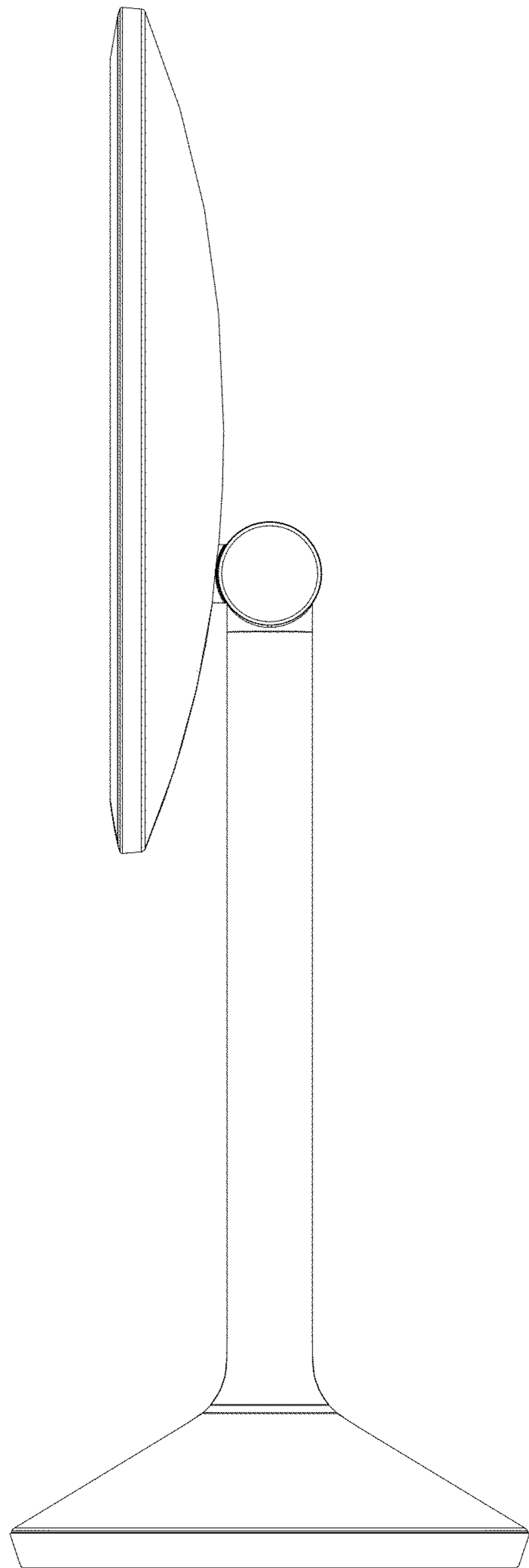


FIG.5

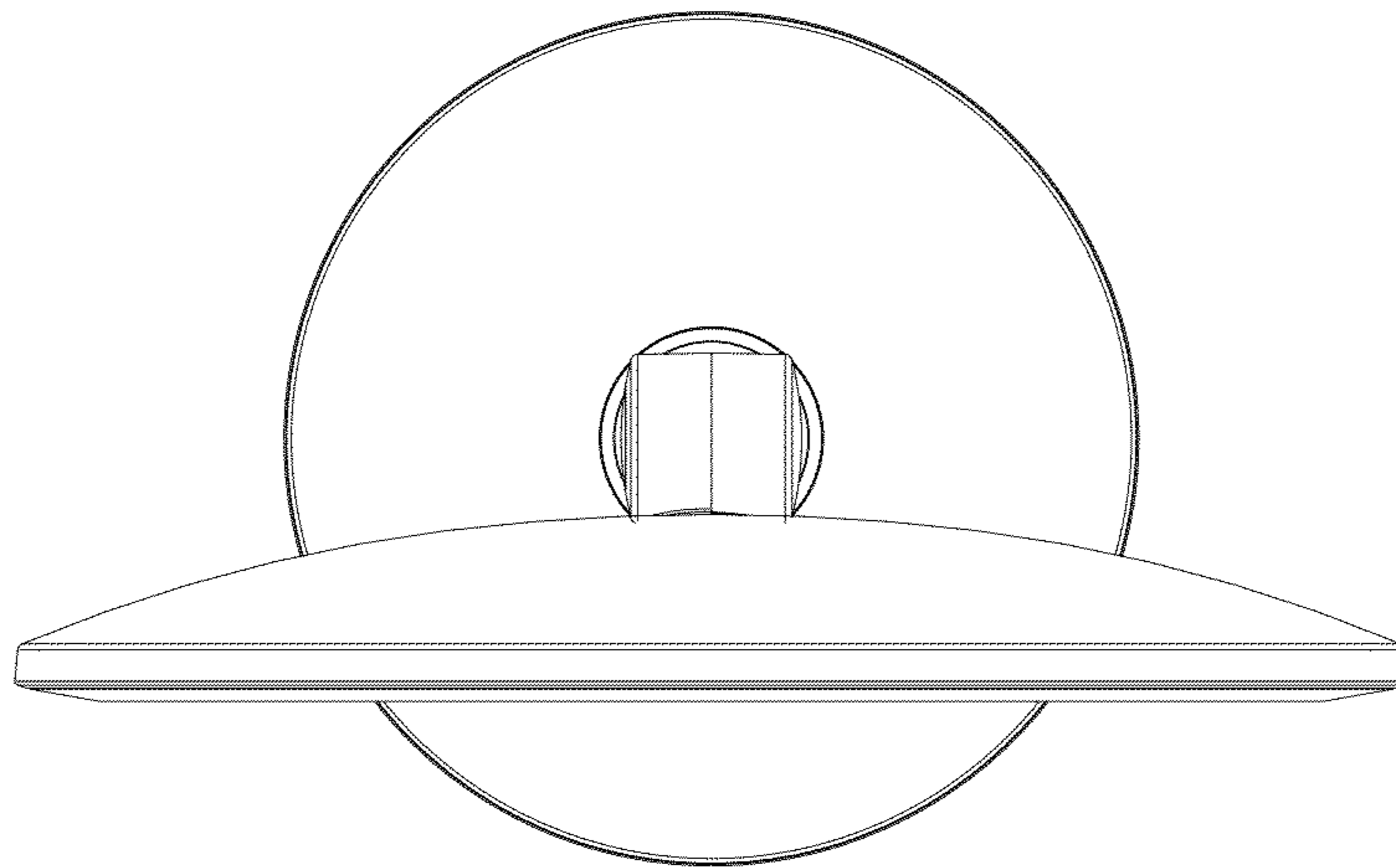


FIG.6

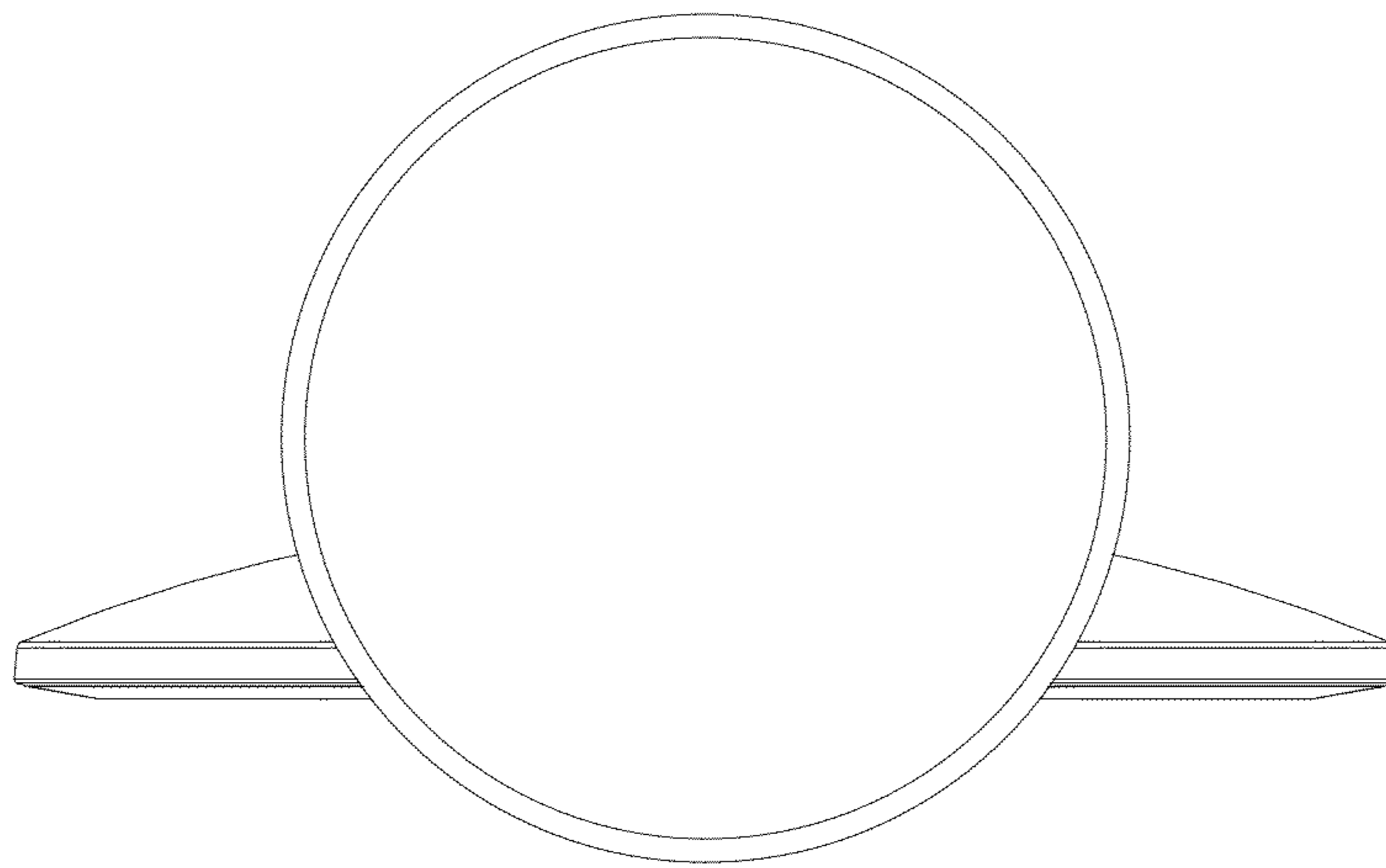


FIG.7