



US00D735994S

(12) **United States Design Patent**  
**Mangano**

(10) **Patent No.:** **US D735,994 S**

(45) **Date of Patent:** **\*\* Aug. 11, 2015**

(54) **BEAUTY CASE**

(71) Applicant: **Joy Mangano**, St. James, NY (US)

(72) Inventor: **Joy Mangano**, St. James, NY (US)

(73) Assignee: **INGENIOUS DESIGNS LLC**,  
Ronkonkoma, NY (US)

(\*\*) Term: **14 Years**

(21) Appl. No.: **29/461,581**

(22) Filed: **Jul. 25, 2013**

(51) **LOC (10) Cl.** ..... **03-01**

(52) **U.S. Cl.**  
USPC ..... **D3/284**; D3/290; D3/299; D3/901

(58) **Field of Classification Search**  
USPC ..... D3/273, 276, 282, 283, 285, 287, 284,  
D3/289, 290, 299, 301, 900, 902, 295, 225,  
D3/215, 901; 224/218; 150/100-126;  
190/100-127, 903  
CPC ..... A45C 5/005; A45C 11/36; A45C 7/0054;  
A45C 11/00; A45C 13/02; A45C 7/0095  
See application file for complete search history.

(56) **References Cited**

**U.S. PATENT DOCUMENTS**

|           |      |         |                |         |
|-----------|------|---------|----------------|---------|
| 4,753,329 | A *  | 6/1988  | Choy           | 190/111 |
| D367,359  | S *  | 2/1996  | Smith          | D3/273  |
| 5,676,253 | A *  | 10/1997 | Hsu            | 206/748 |
| 5,676,274 | A *  | 10/1997 | Green et al.   | 220/520 |
| D429,886  | S *  | 8/2000  | Avent          | D3/303  |
| D463,120  | S *  | 9/2002  | Yoshinaka      | D3/299  |
| D468,535  | S *  | 1/2003  | McCormack      | D3/299  |
| 6,681,936 | B2 * | 1/2004  | Godshaw et al. | 206/581 |
| D588,353  | S *  | 3/2009  | Khubani        | D3/201  |

|          |     |         |                |          |
|----------|-----|---------|----------------|----------|
| D646,485 | S * | 10/2011 | Mason          | D3/299   |
| D658,361 | S * | 5/2012  | Kontos         | D3/203.1 |
| D662,711 | S * | 7/2012  | Raible         | D3/285   |
| D673,769 | S * | 1/2013  | Gorman         | D3/203.3 |
| D721,493 | S * | 1/2015  | Godshaw et al. | D3/301   |

\* cited by examiner

*Primary Examiner* — Jennifer Rivard

*Assistant Examiner* — April Rivas

(74) *Attorney, Agent, or Firm* — Galgano & Associates,  
PLLC; Thomas M. Galgano; Jessica G. Bower

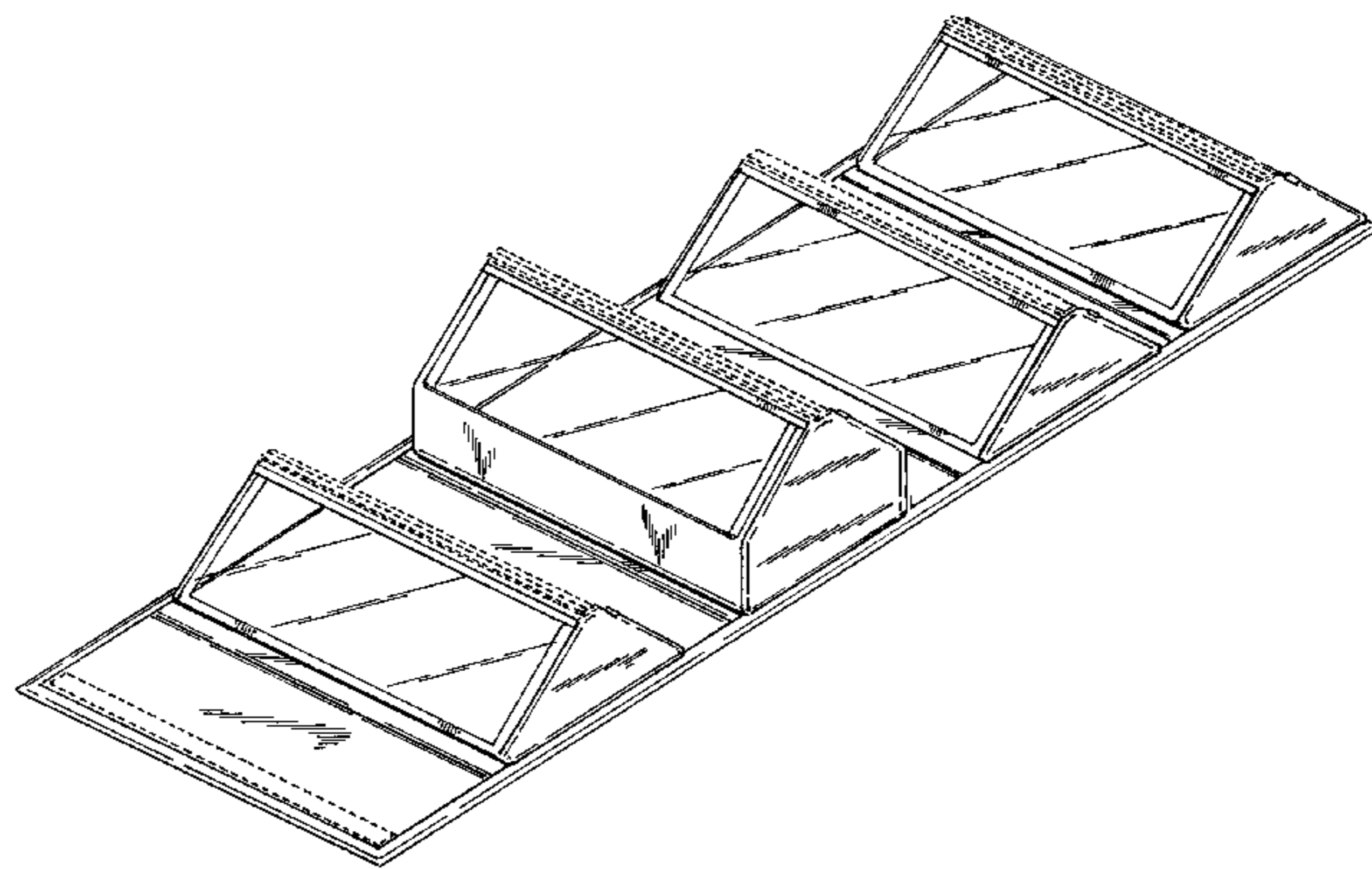
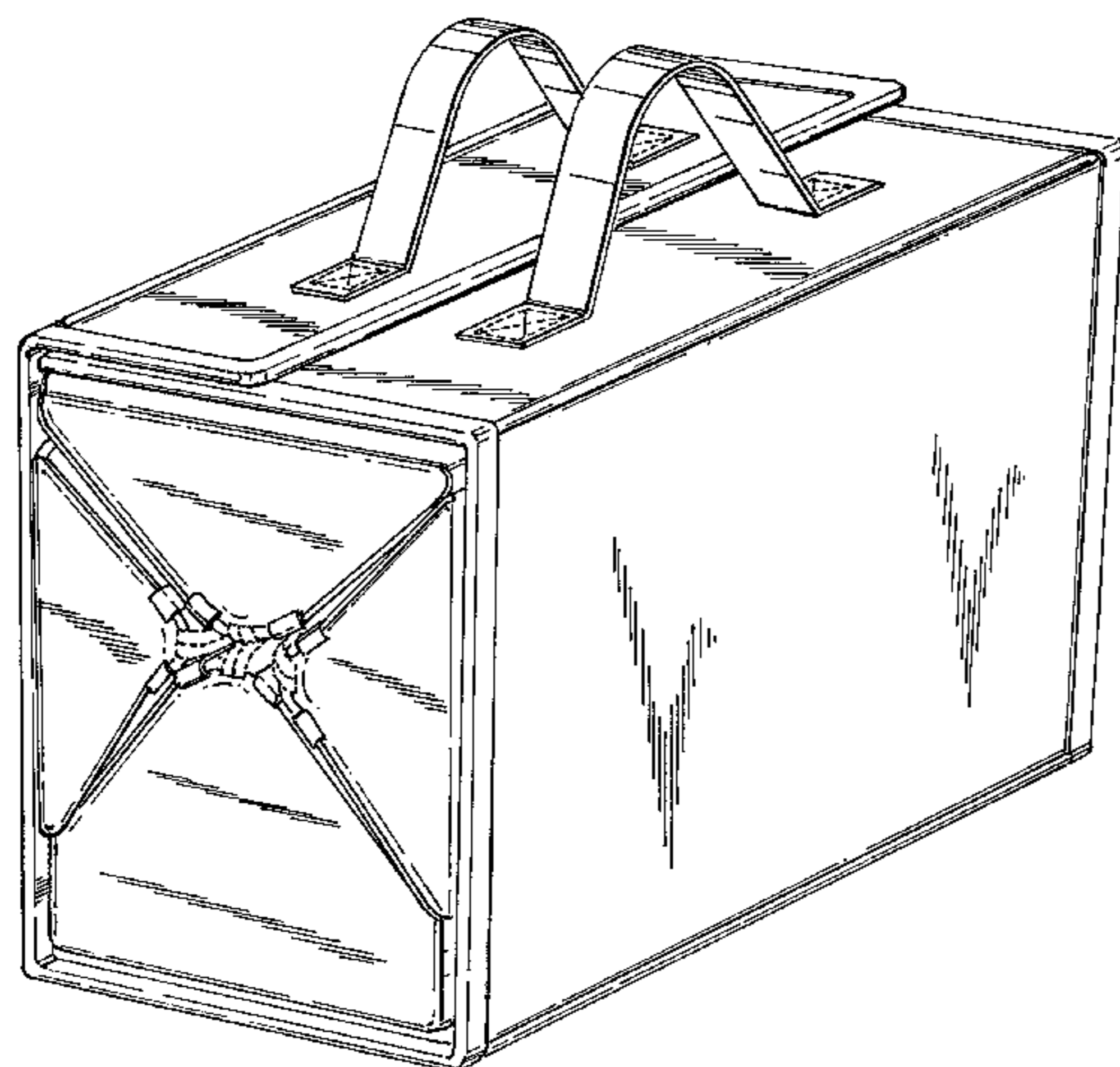
(57) **CLAIM**

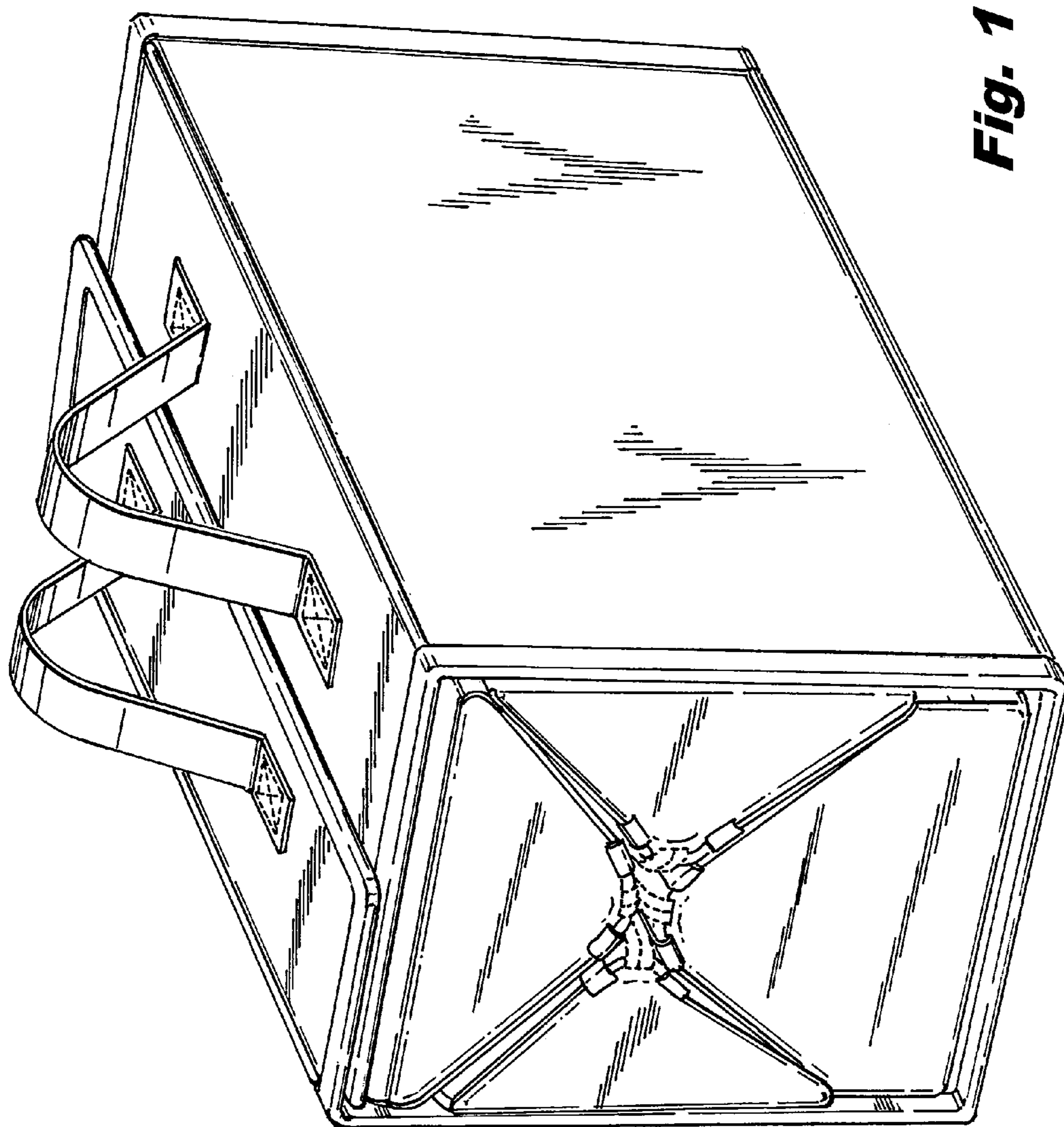
The ornamental design for a beauty case, as shown and described.

**DESCRIPTION**

FIG. 1 is a front and right side perspective view of a beauty case, showing my new design, in its closed configuration; FIG. 2 is a right side elevation view thereof; FIG. 3 is a left side elevational view thereof; FIG. 4 is a top plan view thereof; FIG. 5 is a front elevational view thereof; FIG. 6 is a rear elevational view thereof; FIG. 7 is a bottom plan view thereof; FIG. 8 is a front and right side perspective view of the beauty case, in its open configuration; FIG. 9 is a top plan view thereof; FIG. 10 is a right side elevation view thereof, the left side elevational view being a mirror image thereof; FIG. 11 is a bottom plan view thereof; and, FIG. 12 is a front elevational view thereof, the rear elevational view being a mirror image thereof. The broken lines illustrate portions of the beauty case and form no part of the claimed design.

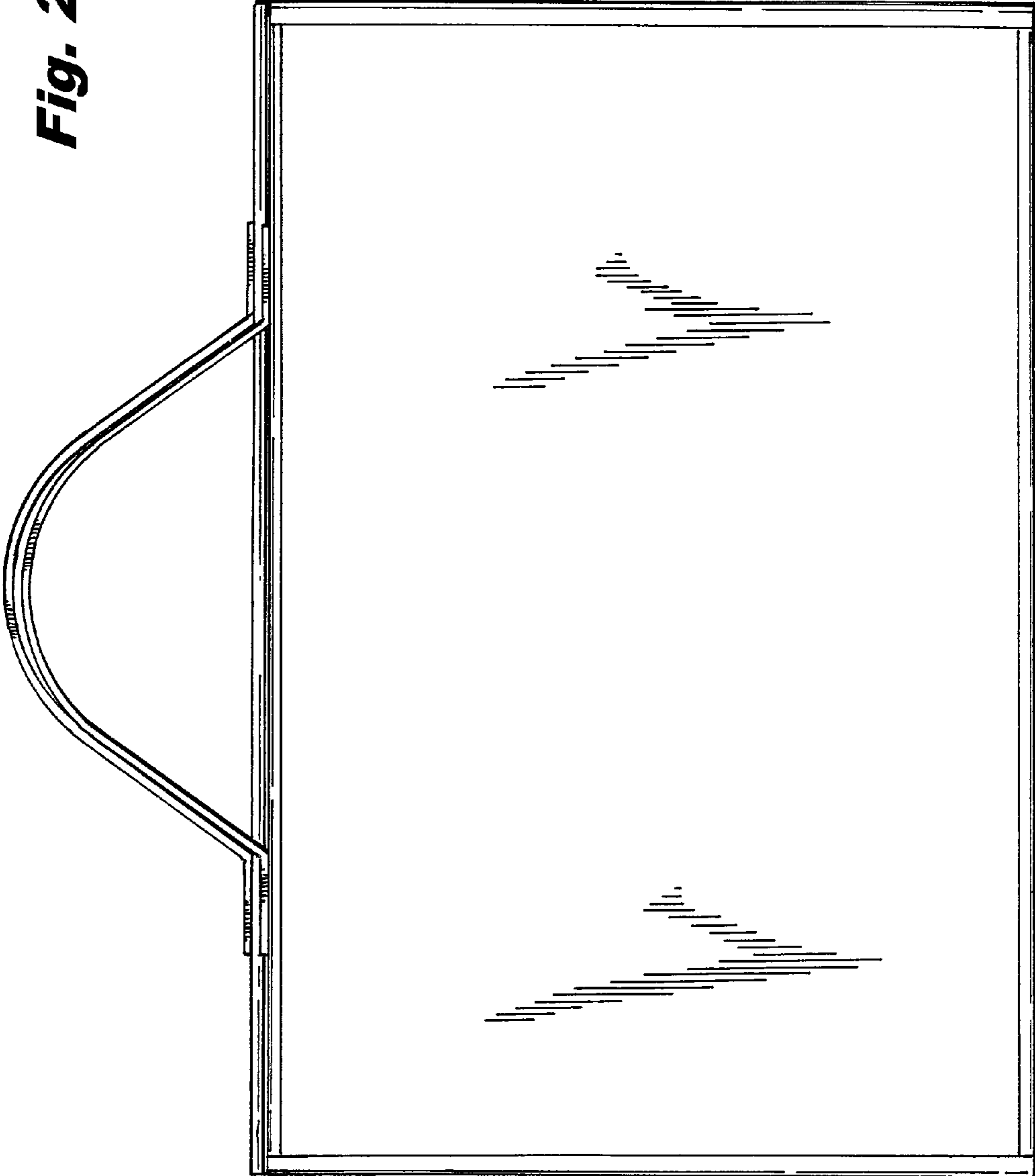
**1 Claim, 9 Drawing Sheets**



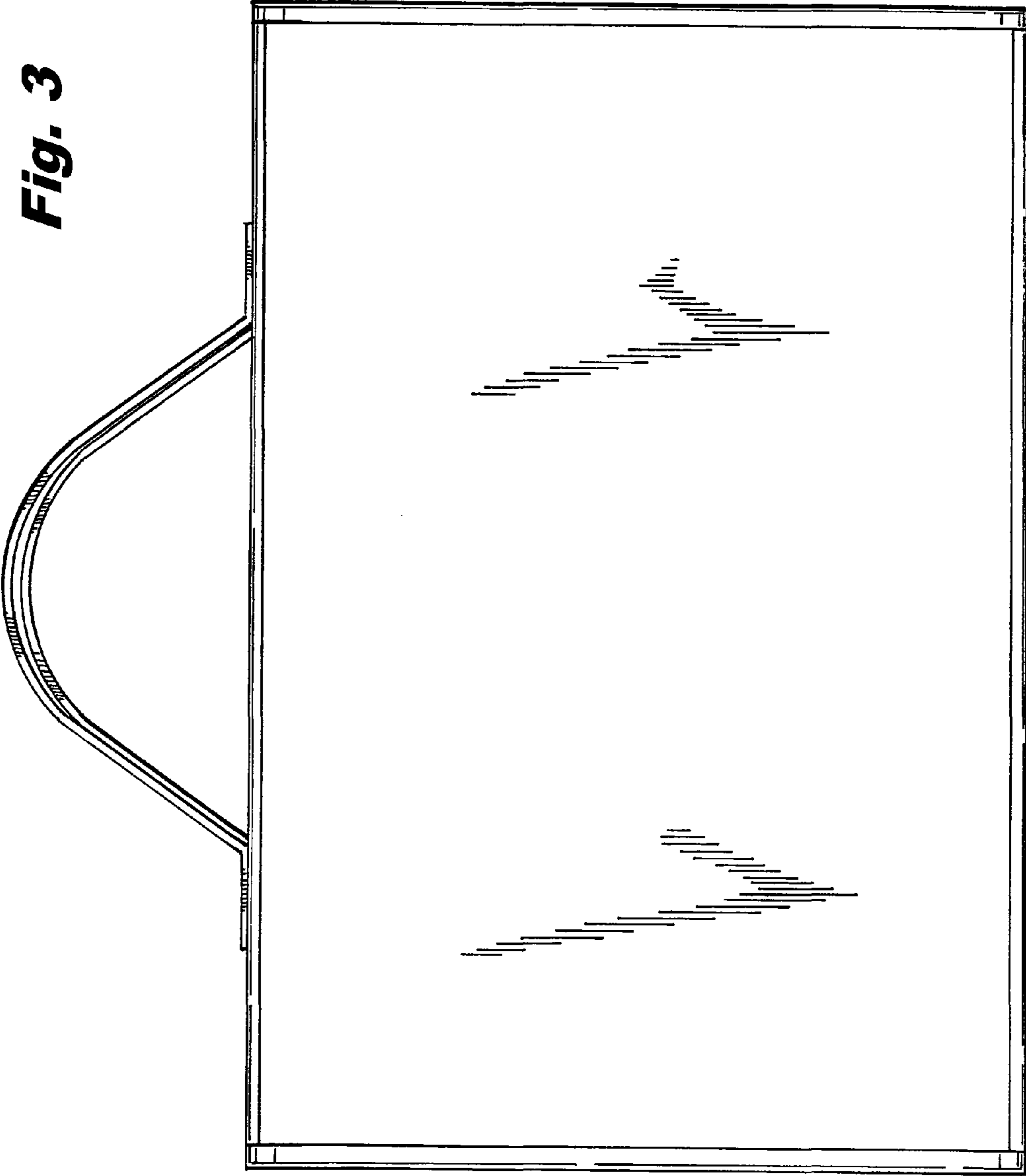


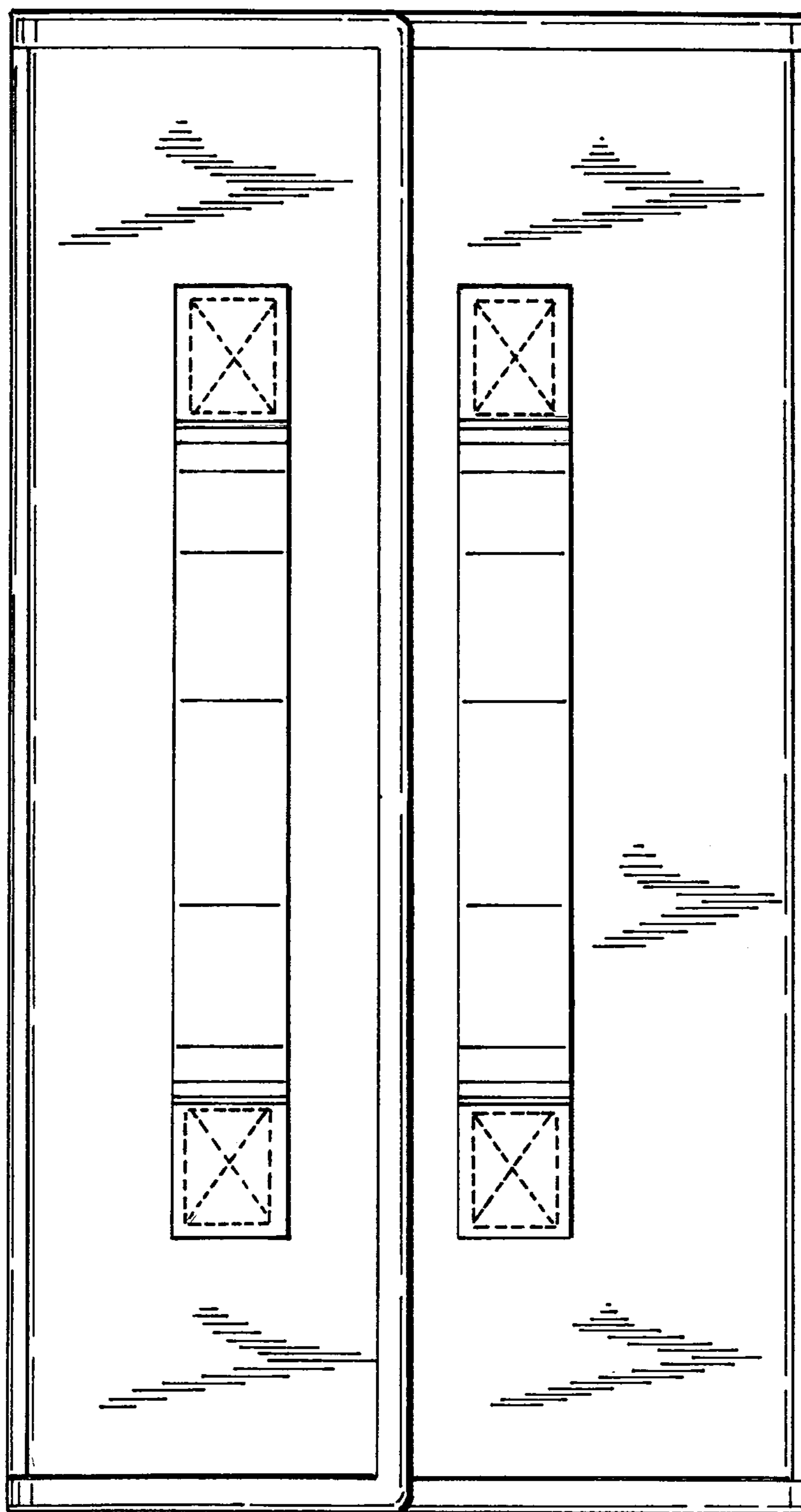
**Fig. 1**

**Fig. 2**



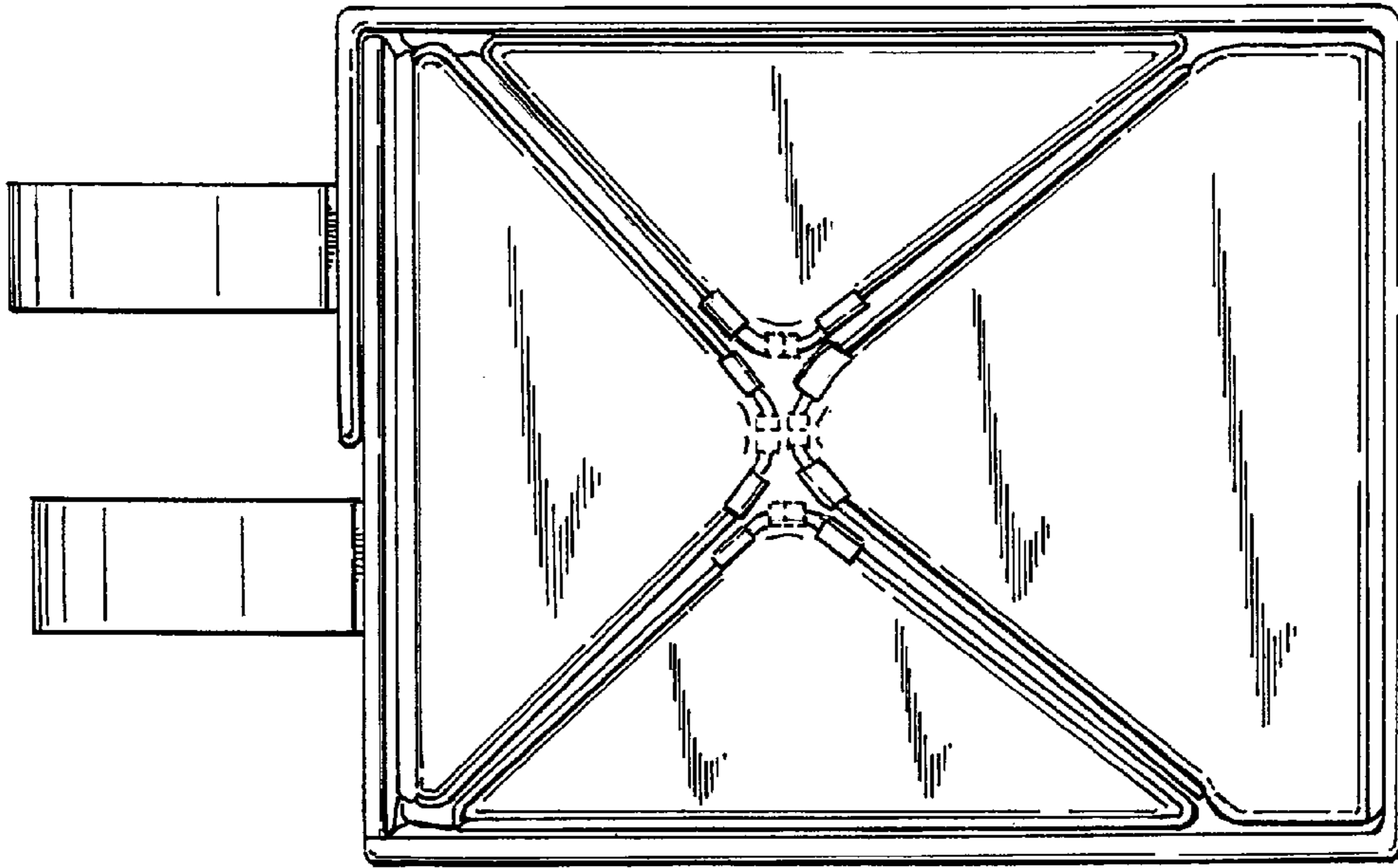
**Fig. 3**



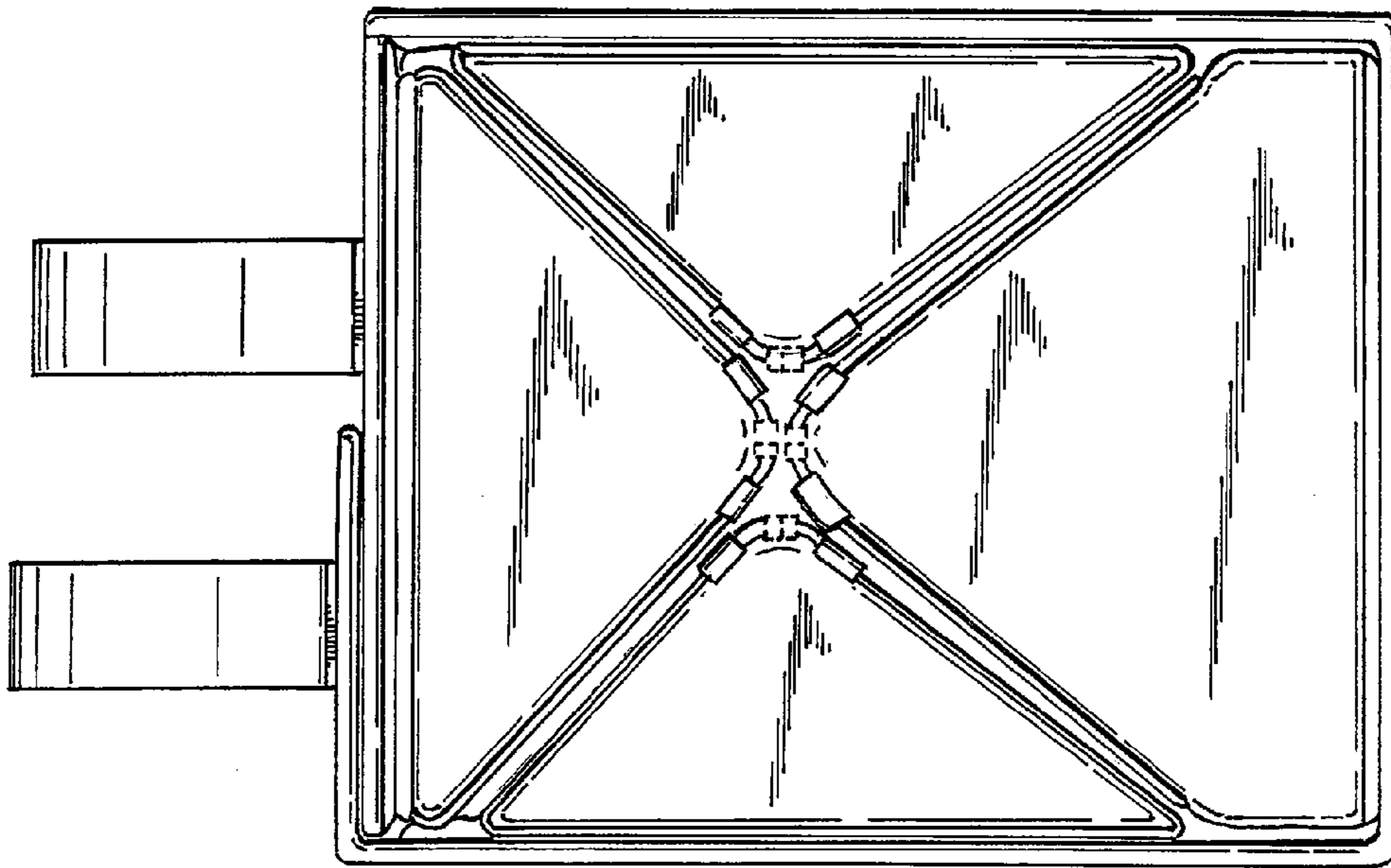


**Fig. 4**

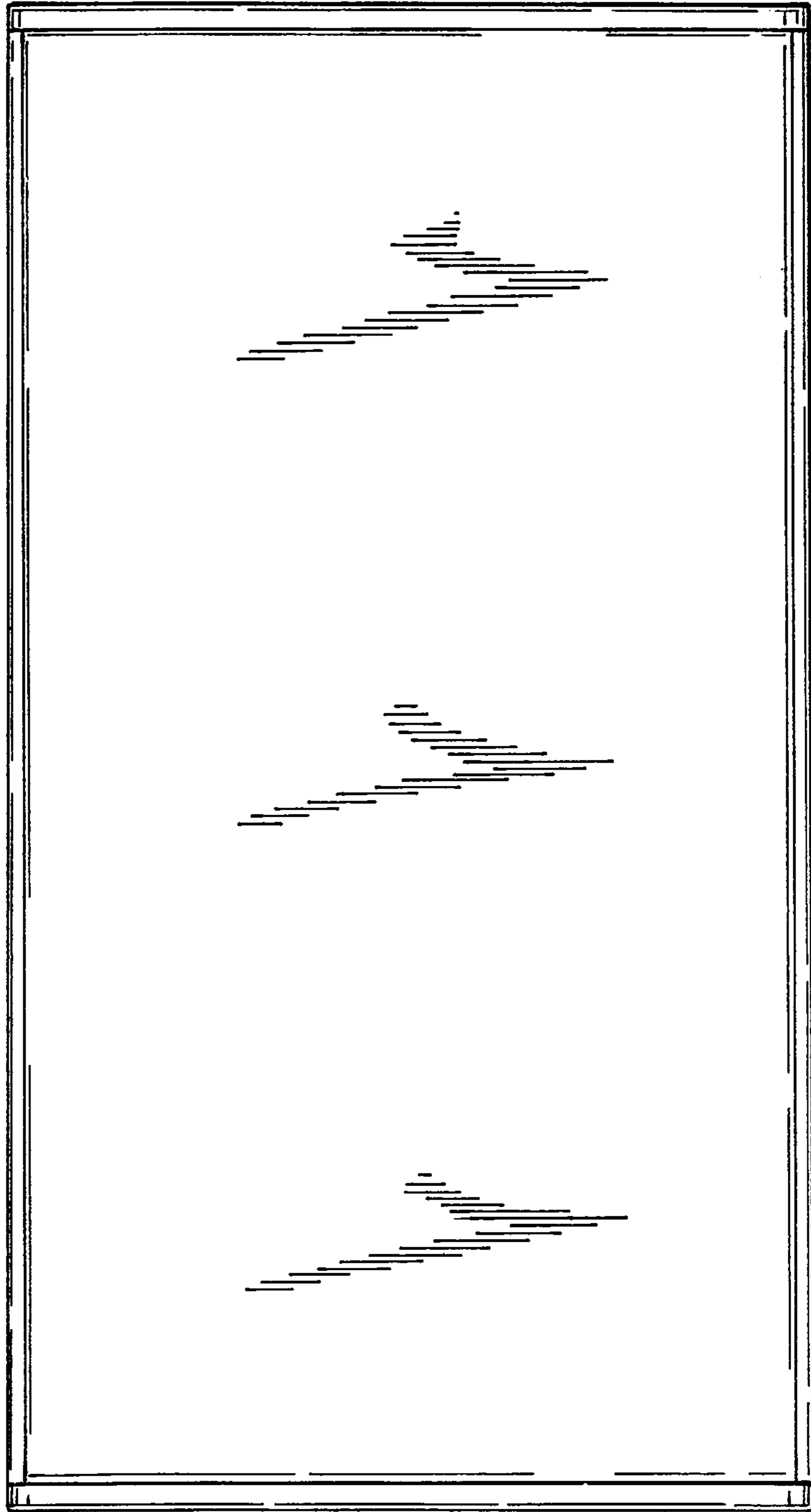




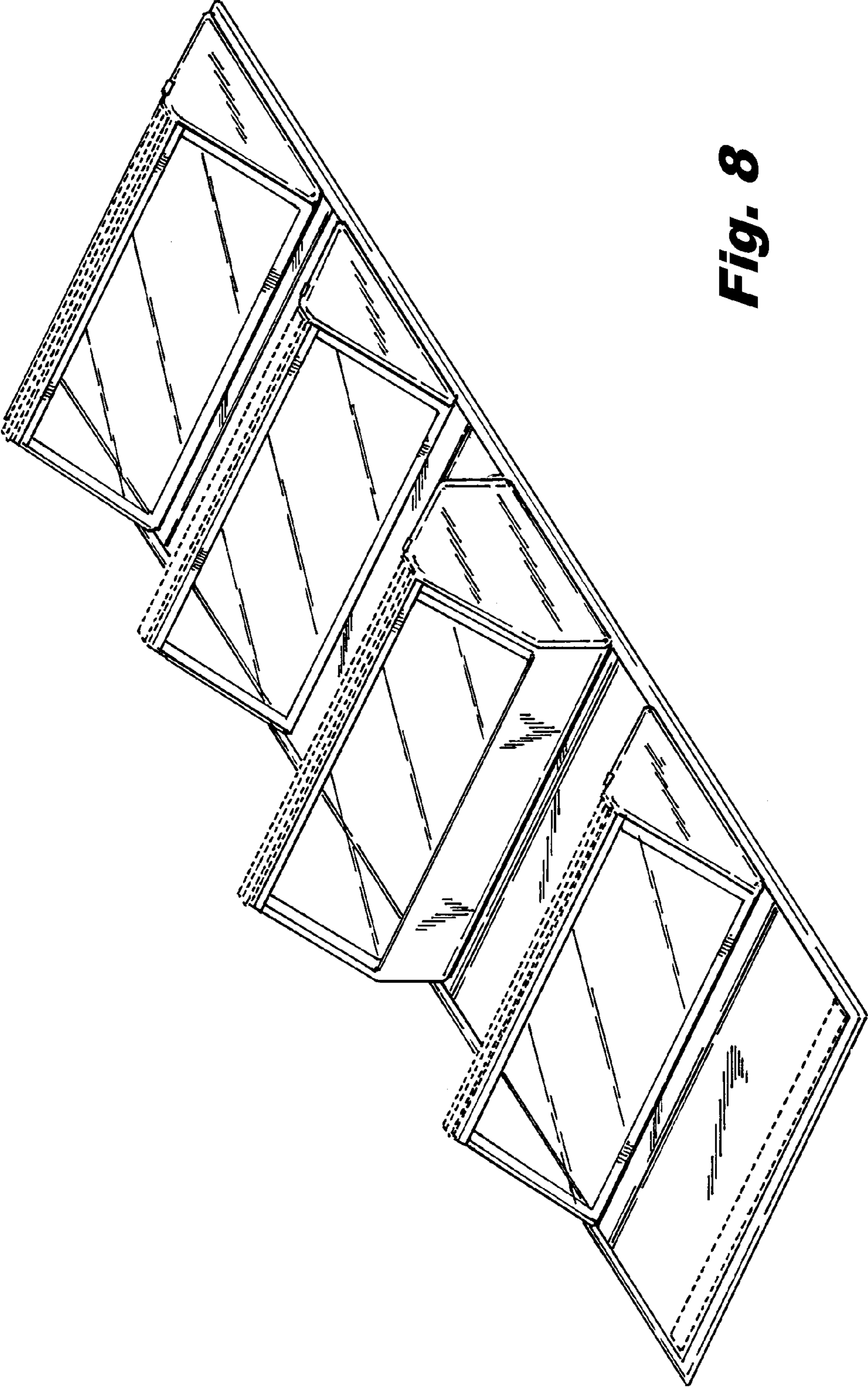
**Fig. 6**



**Fig. 5**

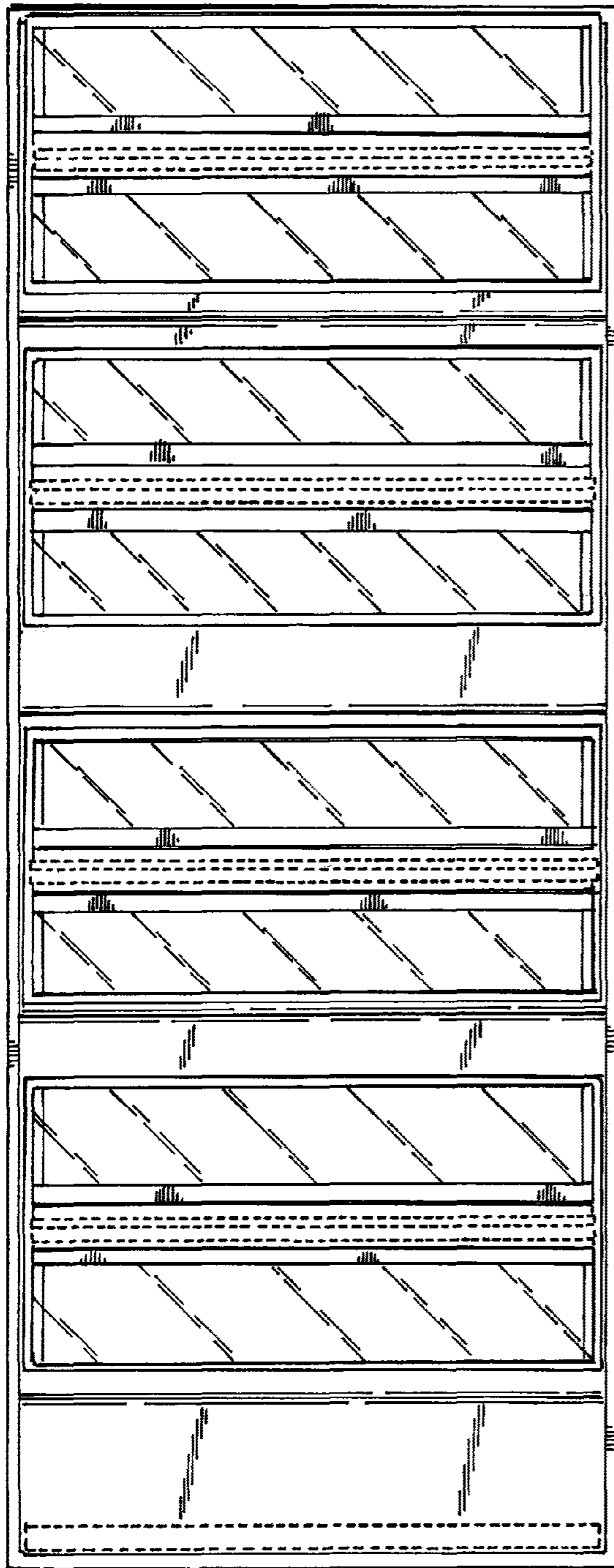


**Fig. 7**



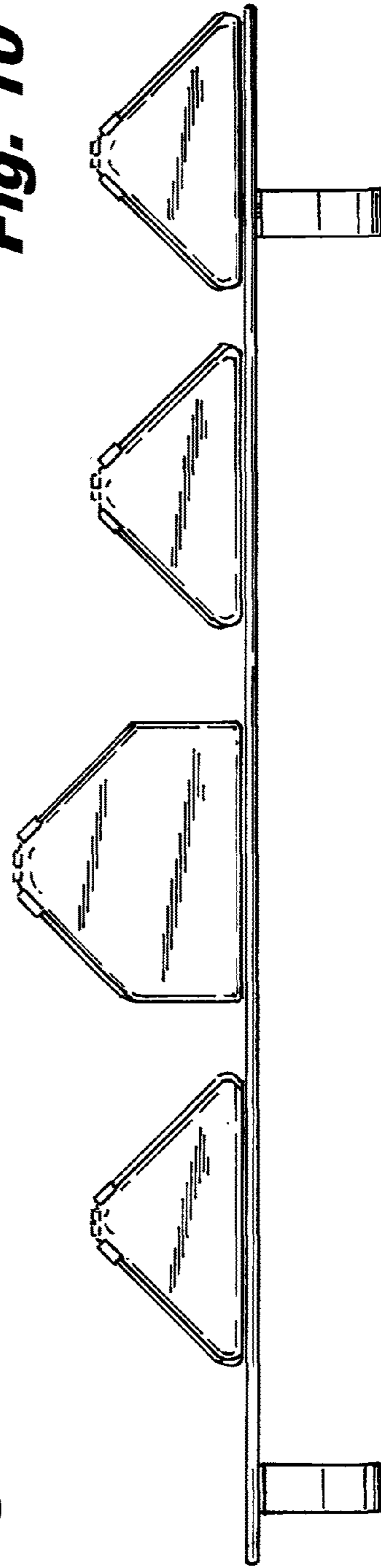
**Fig. 8**

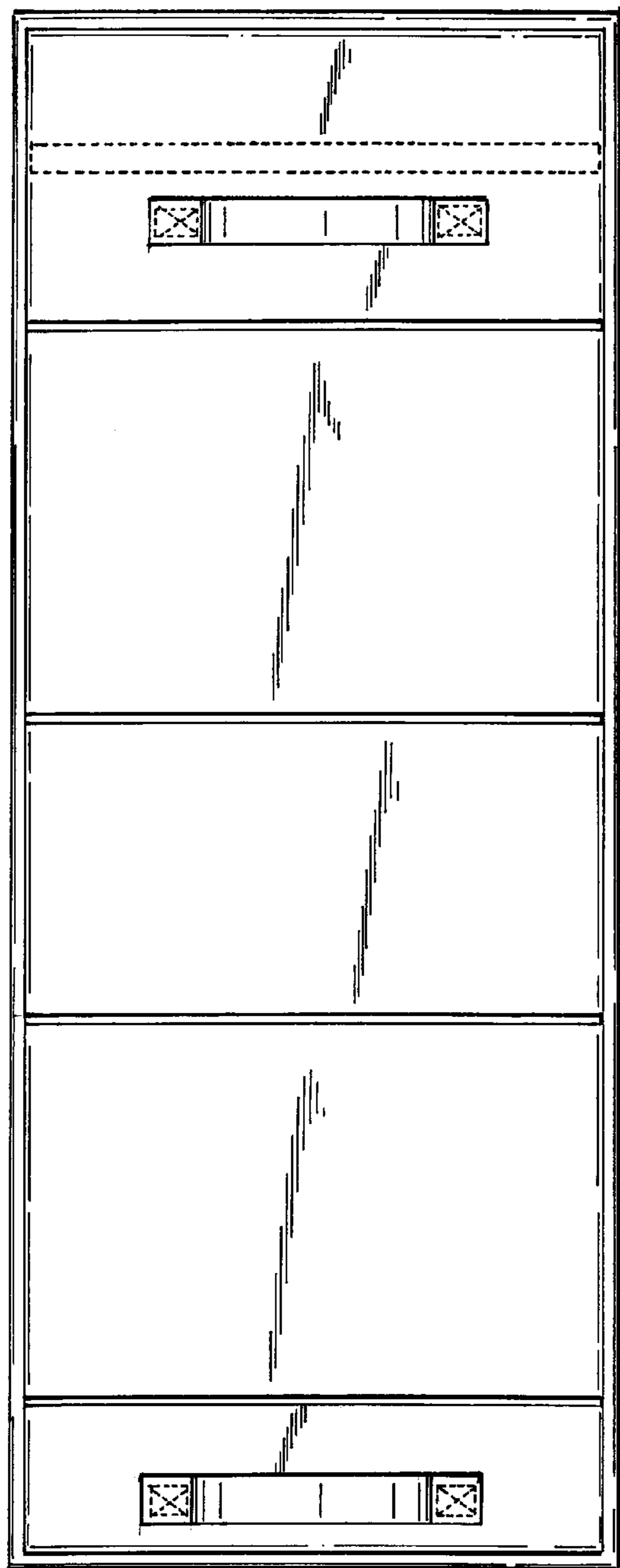




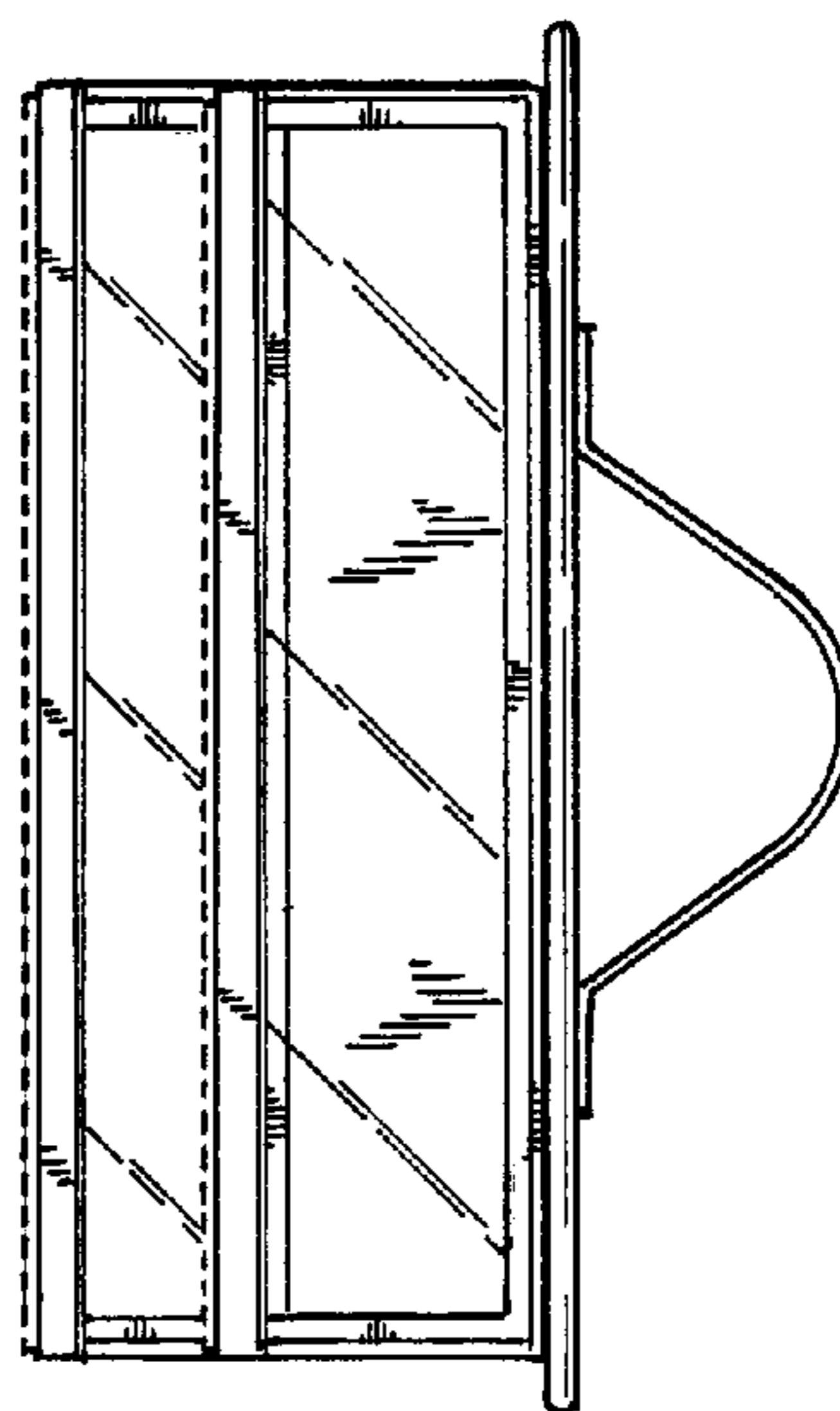
**Fig. 9**

**Fig. 10**





**Fig. 11**



**Fig. 12**