



US00D735993S

(12) **United States Design Patent**
Koepke et al.

(10) **Patent No.:** **US D735,993 S**

(45) **Date of Patent:** **** Aug. 11, 2015**

(54) **TOOL CASE**

(71) Applicant: **Tiffany's Tools, Inc.**, Temecula, CA (US)

(72) Inventors: **Tiffany Koepke**, Murrieta, CA (US);
Mark Erickson, Murrieta, CA (US);
Harry Clark, Temecula, CA (US)

(73) Assignee: **Tiffany's Tools, Inc.**, Temecula, CA (US)

(**) Term: **14 Years**

(21) Appl. No.: **29/443,073**

(22) Filed: **Jan. 11, 2013**

(51) **LOC (10) Cl.** **03-01**

(52) **U.S. Cl.**
USPC **D3/284; D3/290; D3/905**

(58) **Field of Classification Search**
USPC D28/76-84, 73; 206/581, 823, 8;
132/286-318, 320, 319; D3/901, 905,
D3/903, 276, 284, 290; 190/115, 119, 116;
D6/632, 633

See application file for complete search history.

(56) **References Cited**

U.S. PATENT DOCUMENTS

1,568,733	A *	1/1926	Hauser	206/8
1,638,568	A *	8/1927	Dreyfus	206/8
1,734,587	A *	11/1929	Lowe	206/8
1,742,838	A *	1/1930	Williams	248/66
2,490,222	A *	12/1949	Lowe	190/119
2,745,524	A *	5/1956	Plotkin	190/115
D387,628	S *	12/1997	Keene	D7/607
D414,082	S *	9/1999	Keene	D7/607

D416,135	S *	11/1999	Chen	D3/276
D435,385	S *	12/2000	Eskandry	D6/633
D449,441	S *	10/2001	Jackson et al.	D3/276
D455,550	S *	4/2002	Wolf	D3/275

* cited by examiner

Primary Examiner — Jennifer Rivard

(74) *Attorney, Agent, or Firm* — Knobbe Martens Olson & Bear LLP

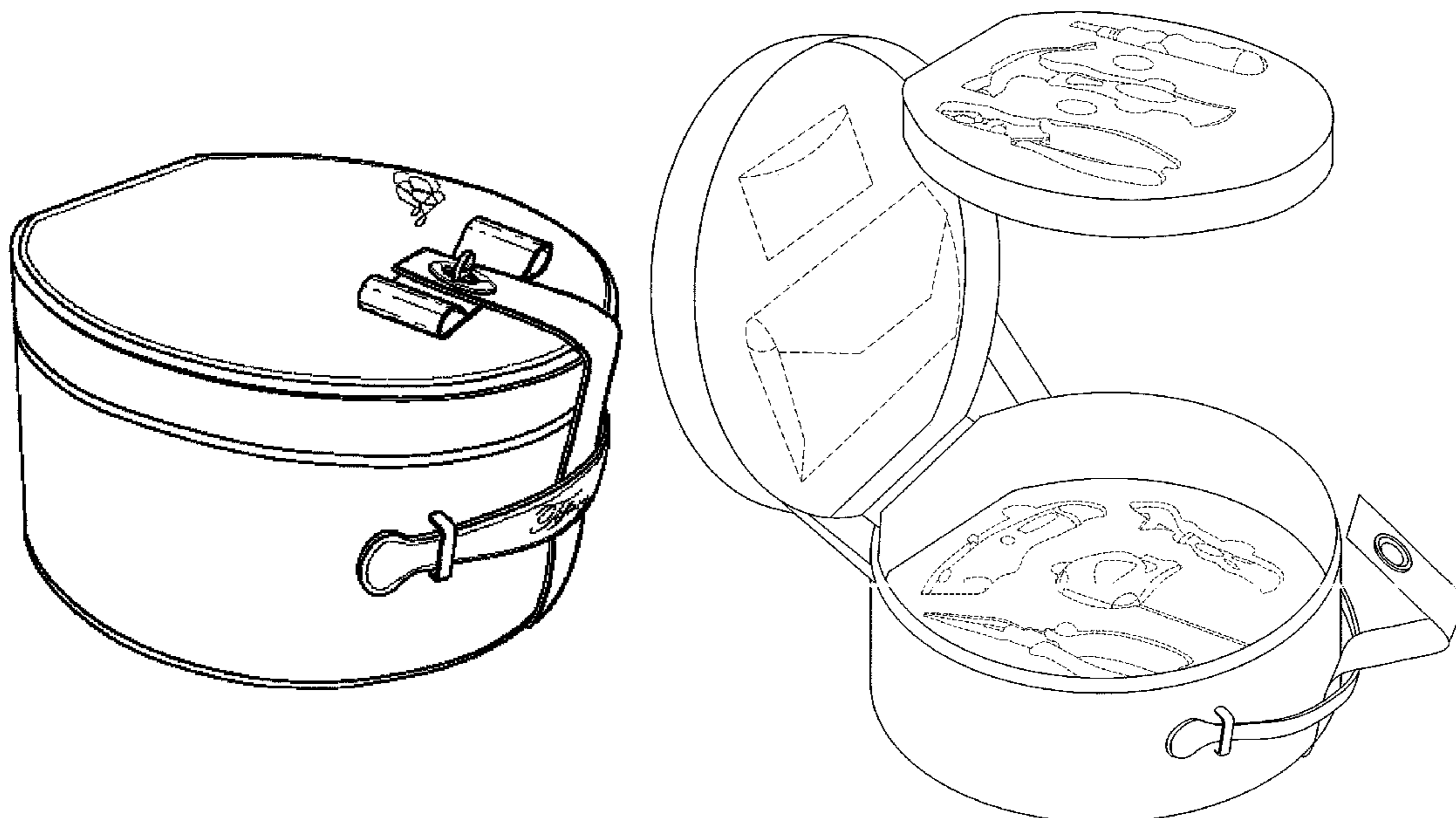
(57) **CLAIM**

The ornamental design for a tool case, as shown and described.

DESCRIPTION

FIG. 1 is a front elevational view of a closed tool case showing our new design in a first embodiment;
 FIG. 2 is a rear elevational view thereof;
 FIG. 3 is a top plan view thereof;
 FIG. 4 is a bottom plan view thereof;
 FIG. 5 is a left side elevational view thereof;
 FIG. 6 is a right side elevational view thereof; and
 FIG. 7 is a side perspective view thereof.
 FIG. 8 is a front elevational view of a closed tool case showing our new design in a second embodiment;
 FIG. 9 is a rear elevational view thereof;
 FIG. 10 is a top plan view thereof;
 FIG. 11 is a bottom plan view thereof;
 FIG. 12 is a left side elevational view thereof;
 FIG. 13 is a right side elevational view thereof;
 FIG. 14 is an exploded, side perspective view of the opened tool case; and,
 FIG. 15 is a side perspective view of the opened tool case.
 The broken lines in the Figures show portions of the tool case which form no part of the claimed design.

1 Claim, 15 Drawing Sheets



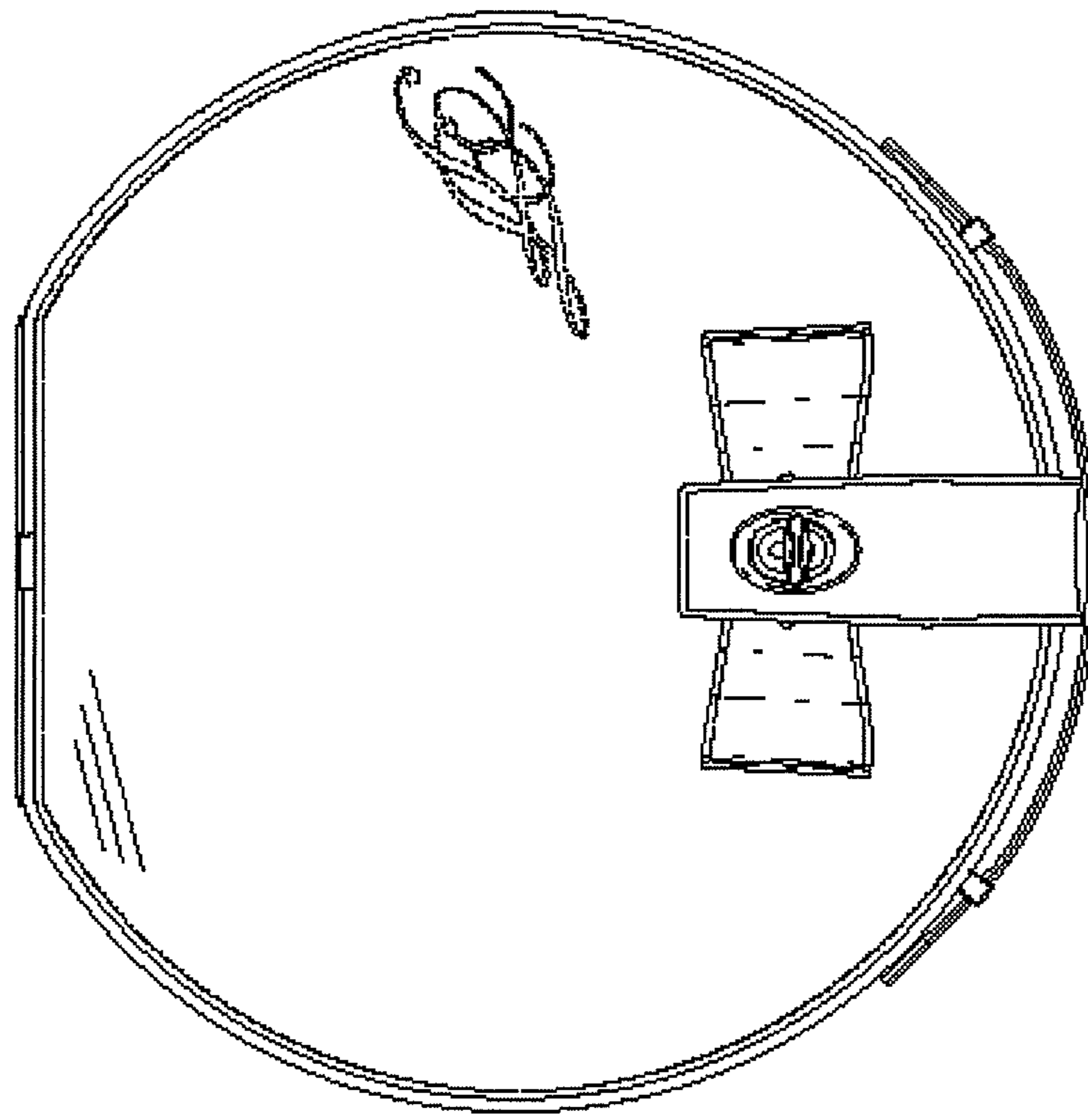


FIG. 1

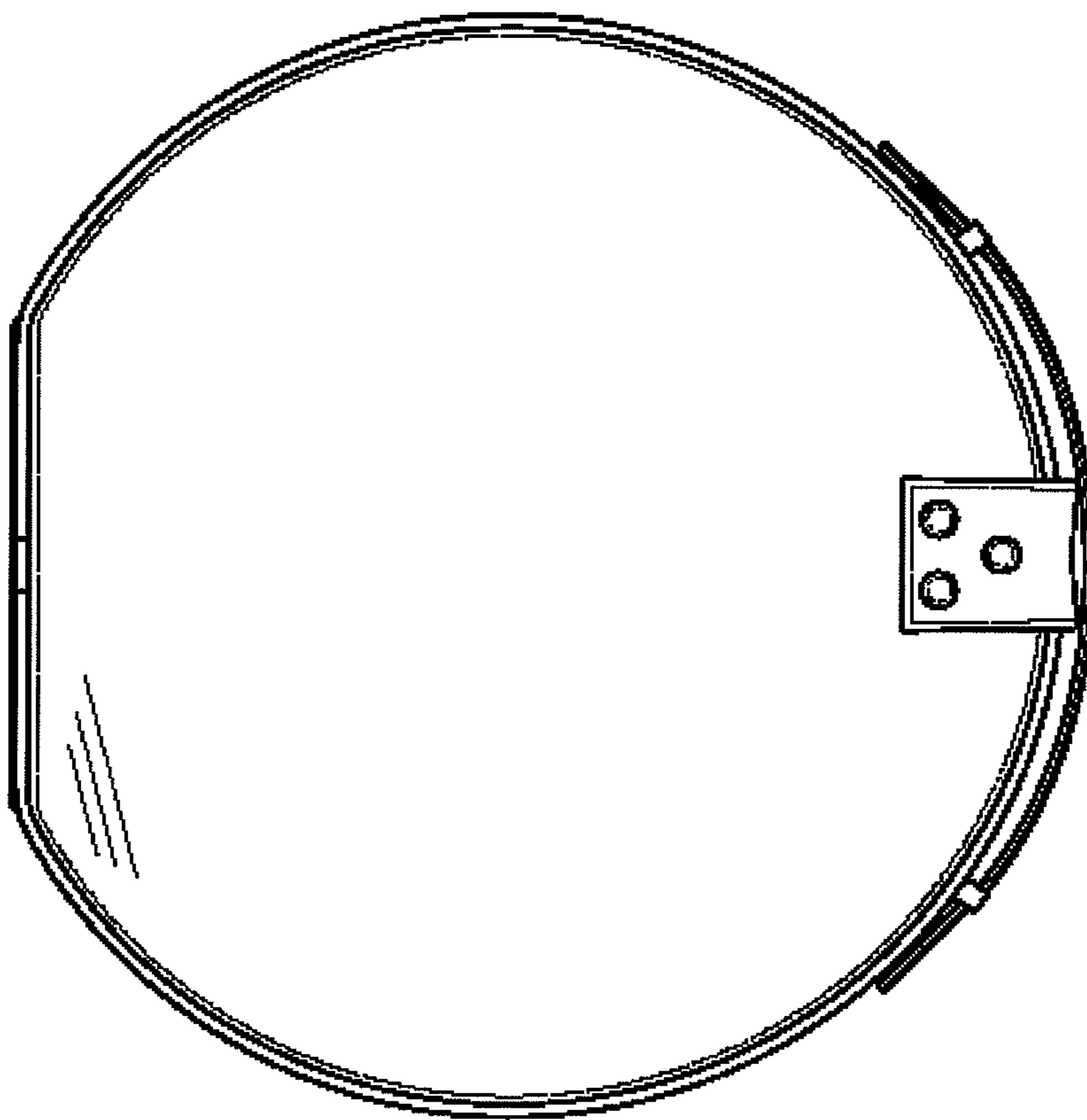


FIG. 2

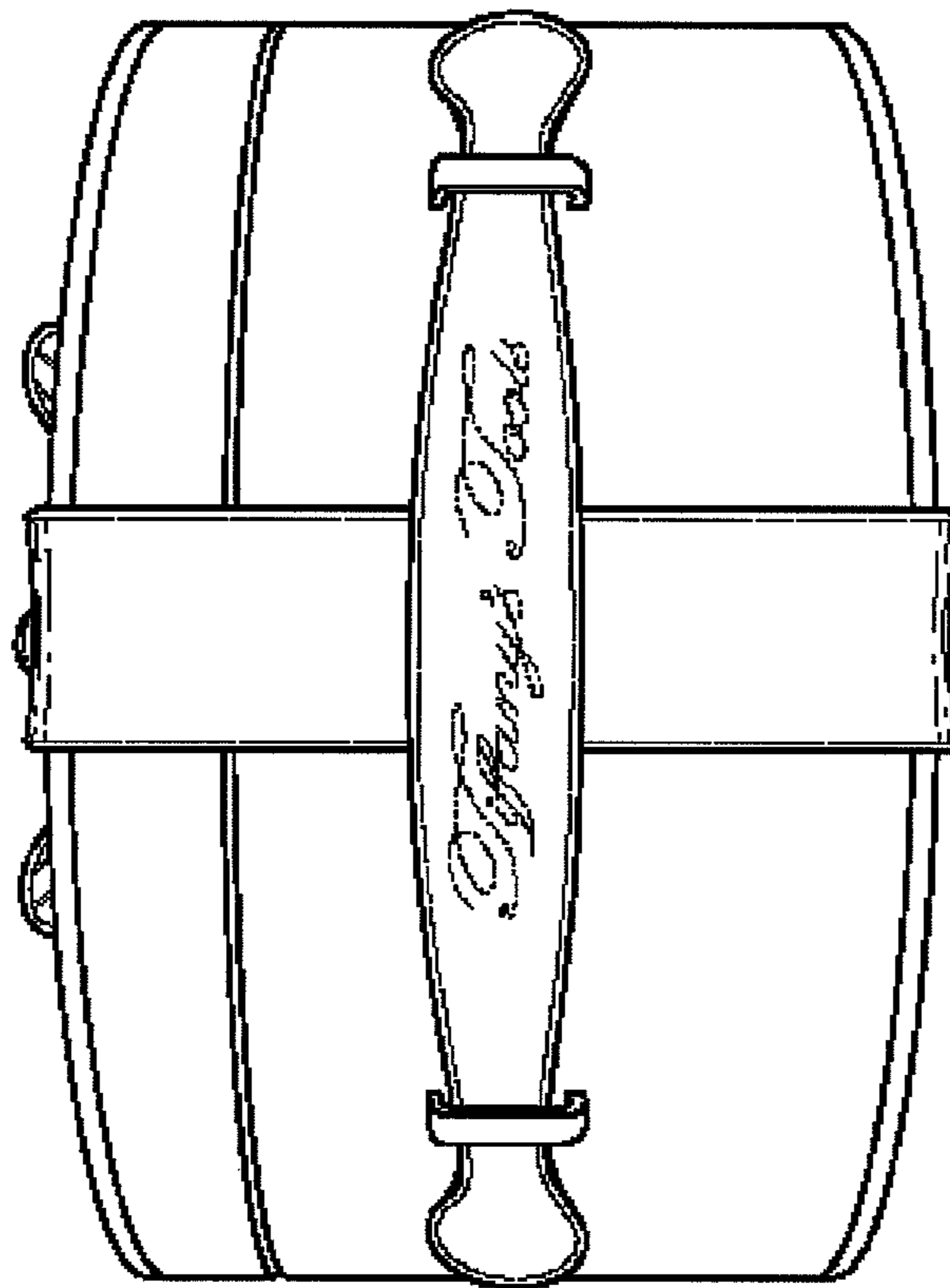


FIG. 3

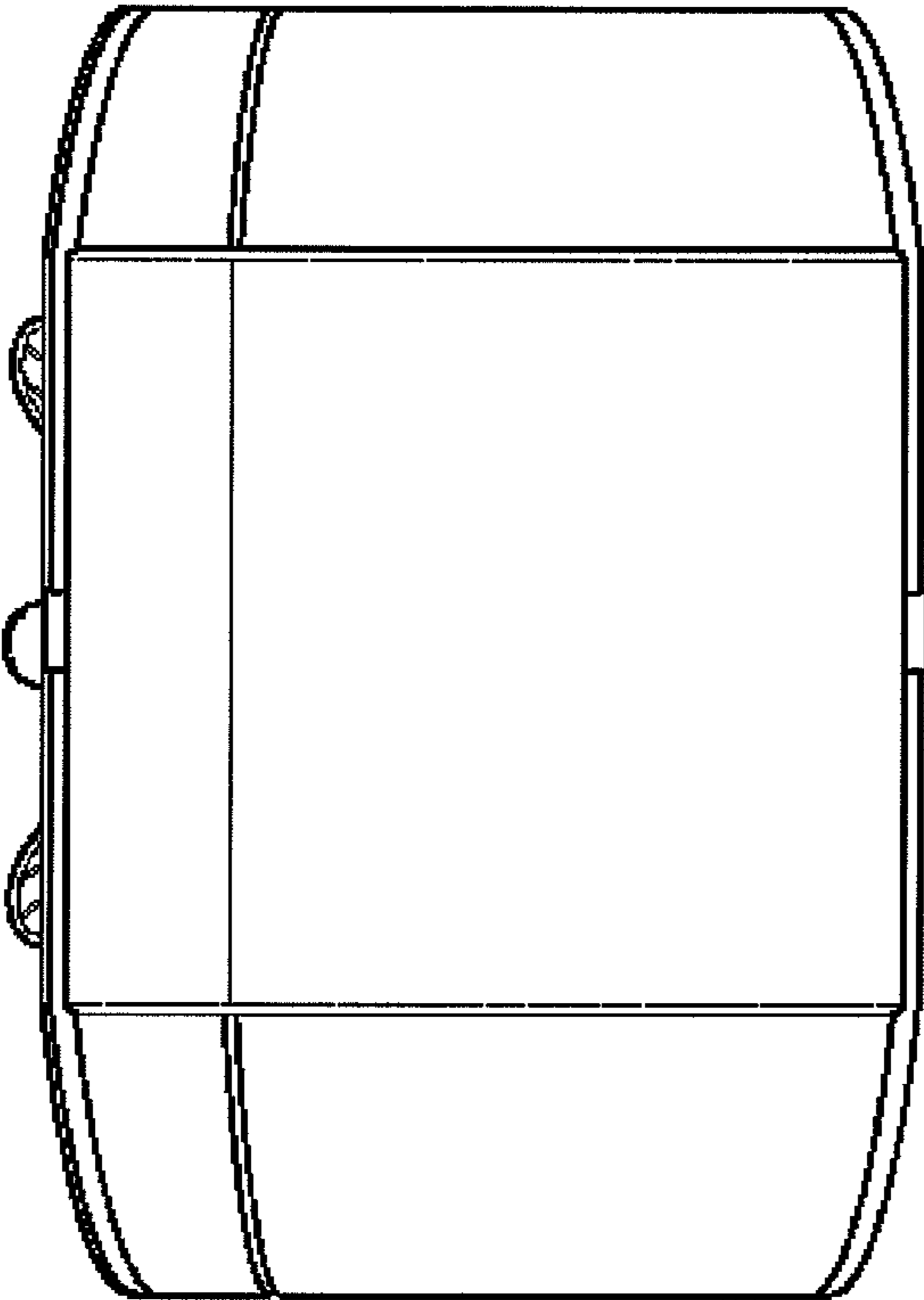


FIG. 4

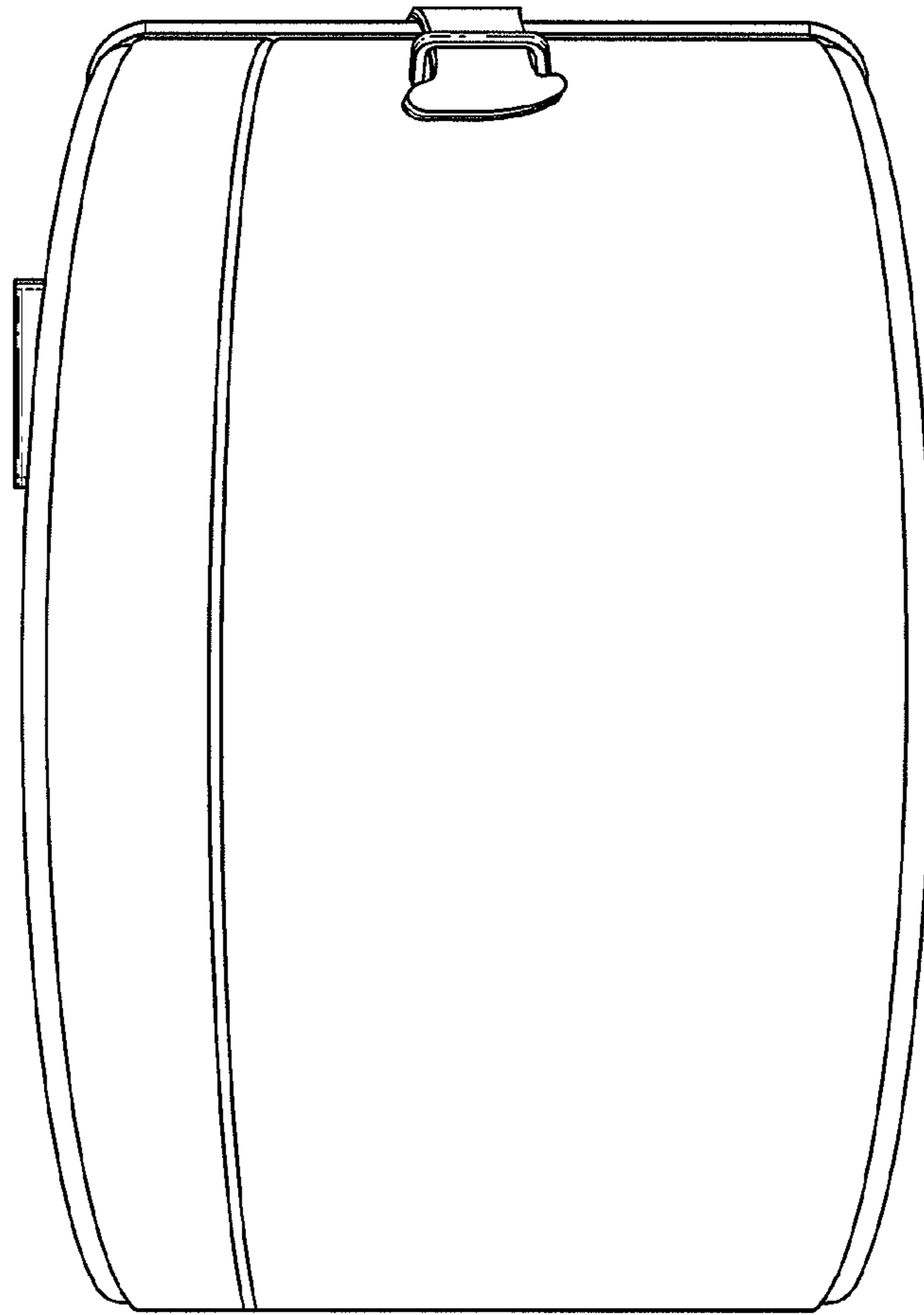


FIG. 5

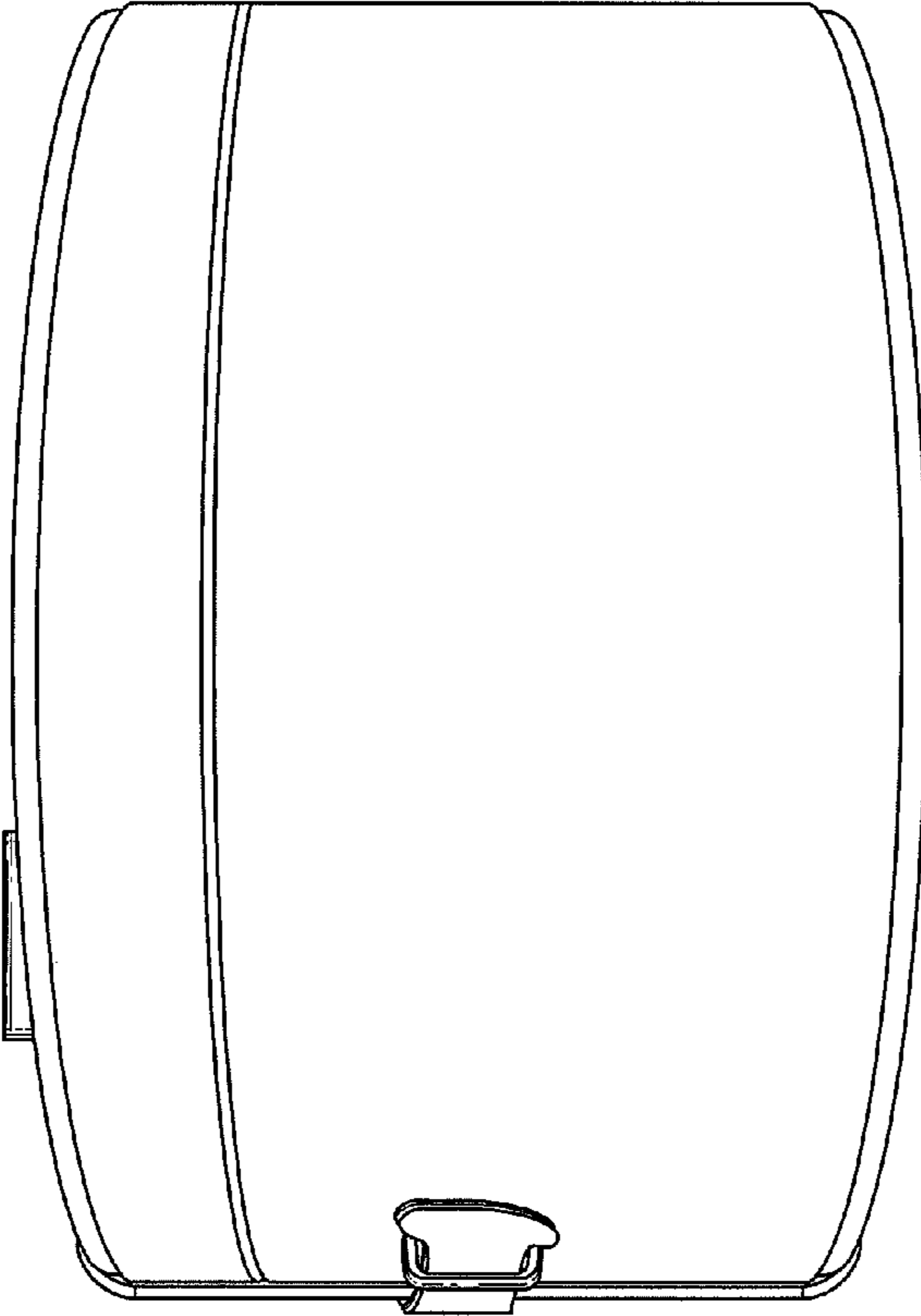


FIG. 6

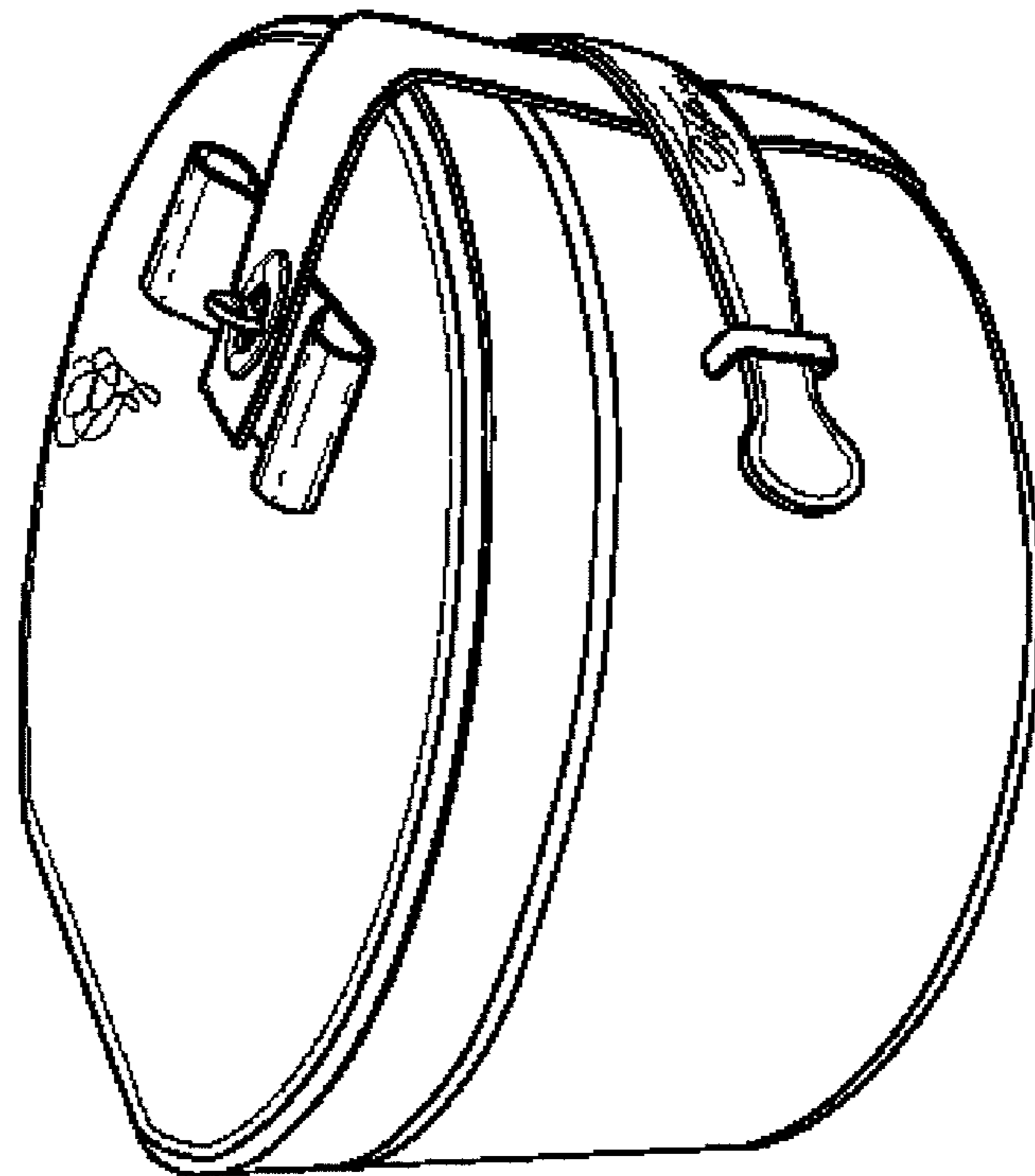


FIG. 7

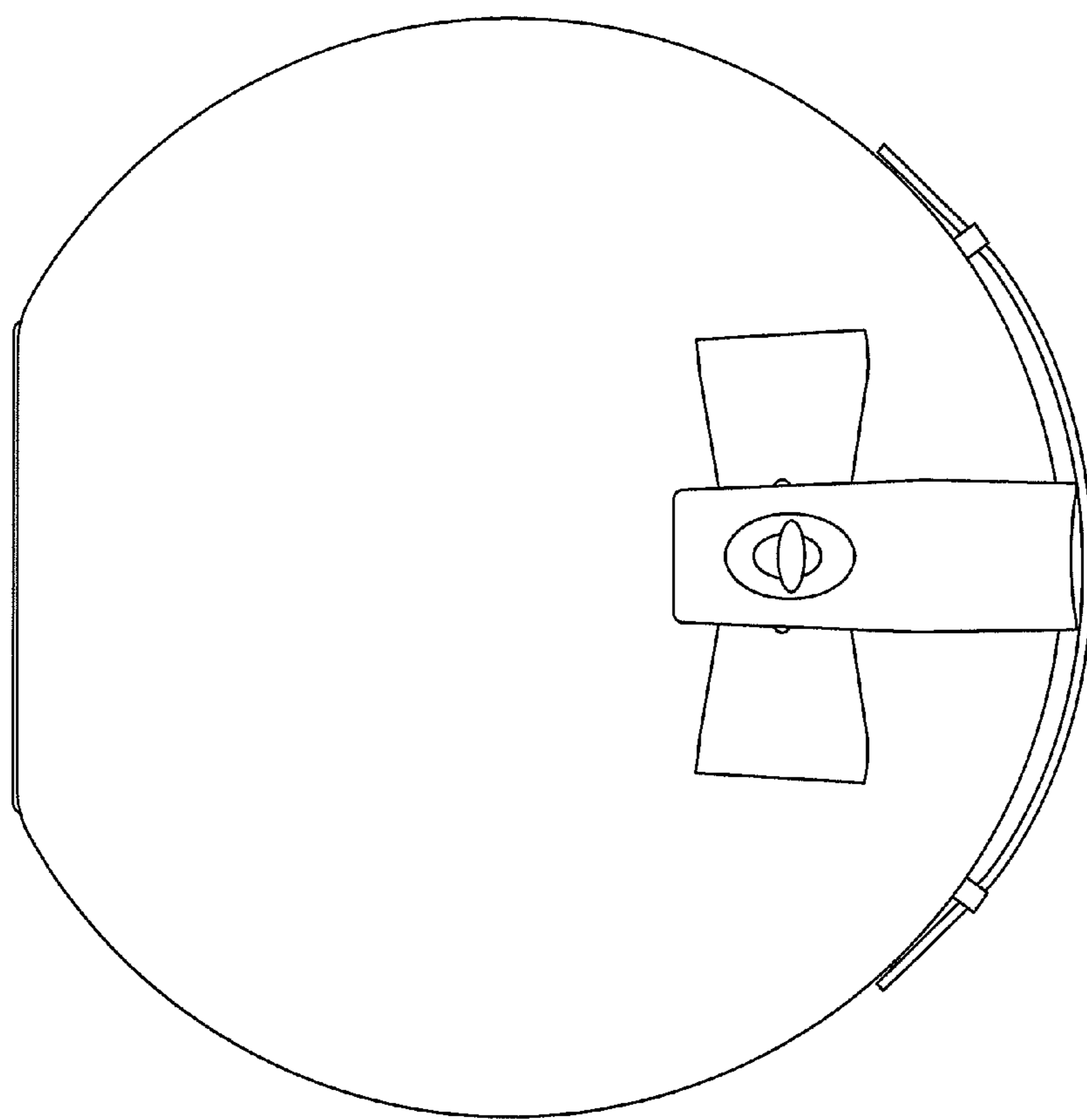


FIG. 8

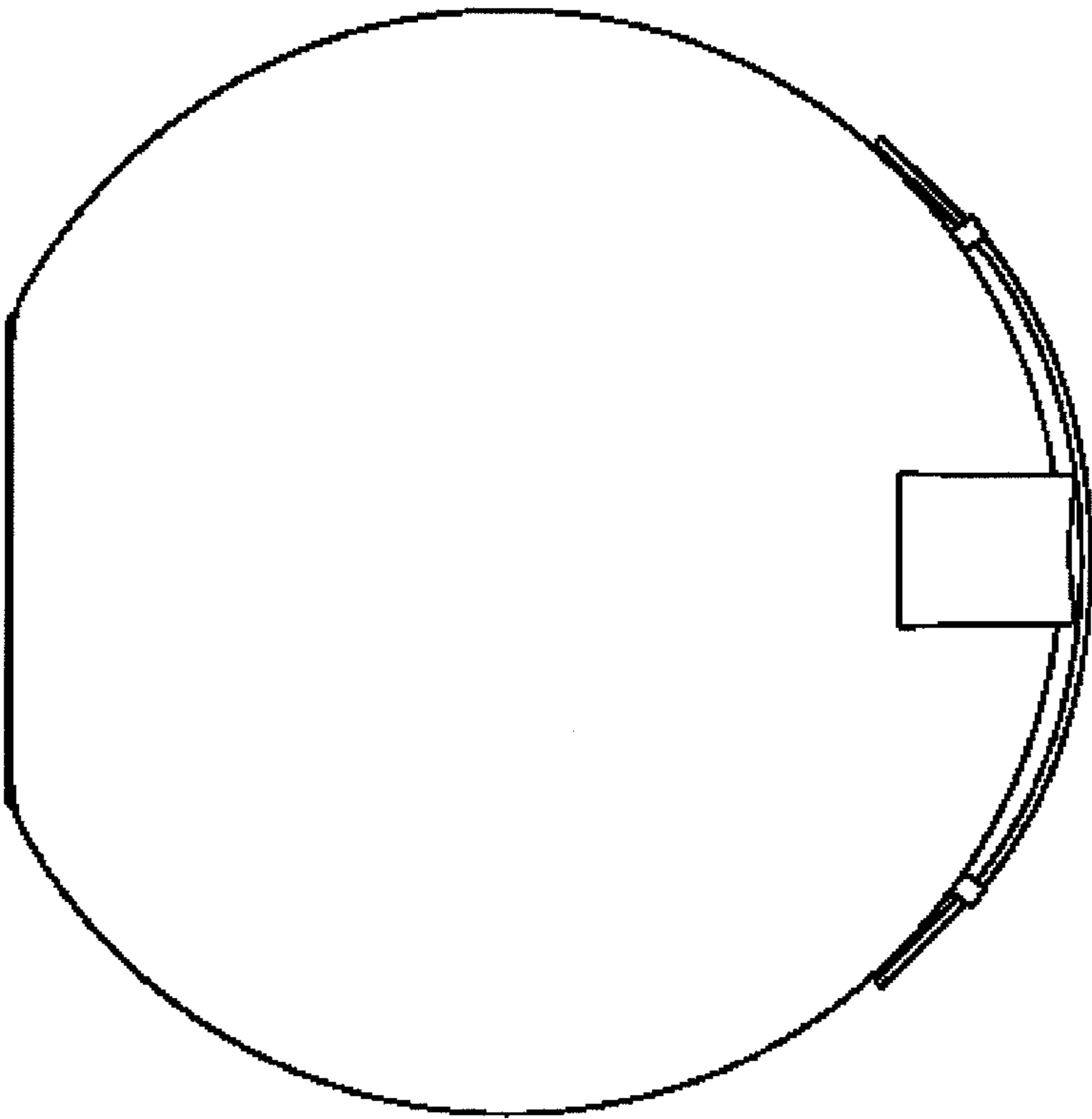


FIG. 9

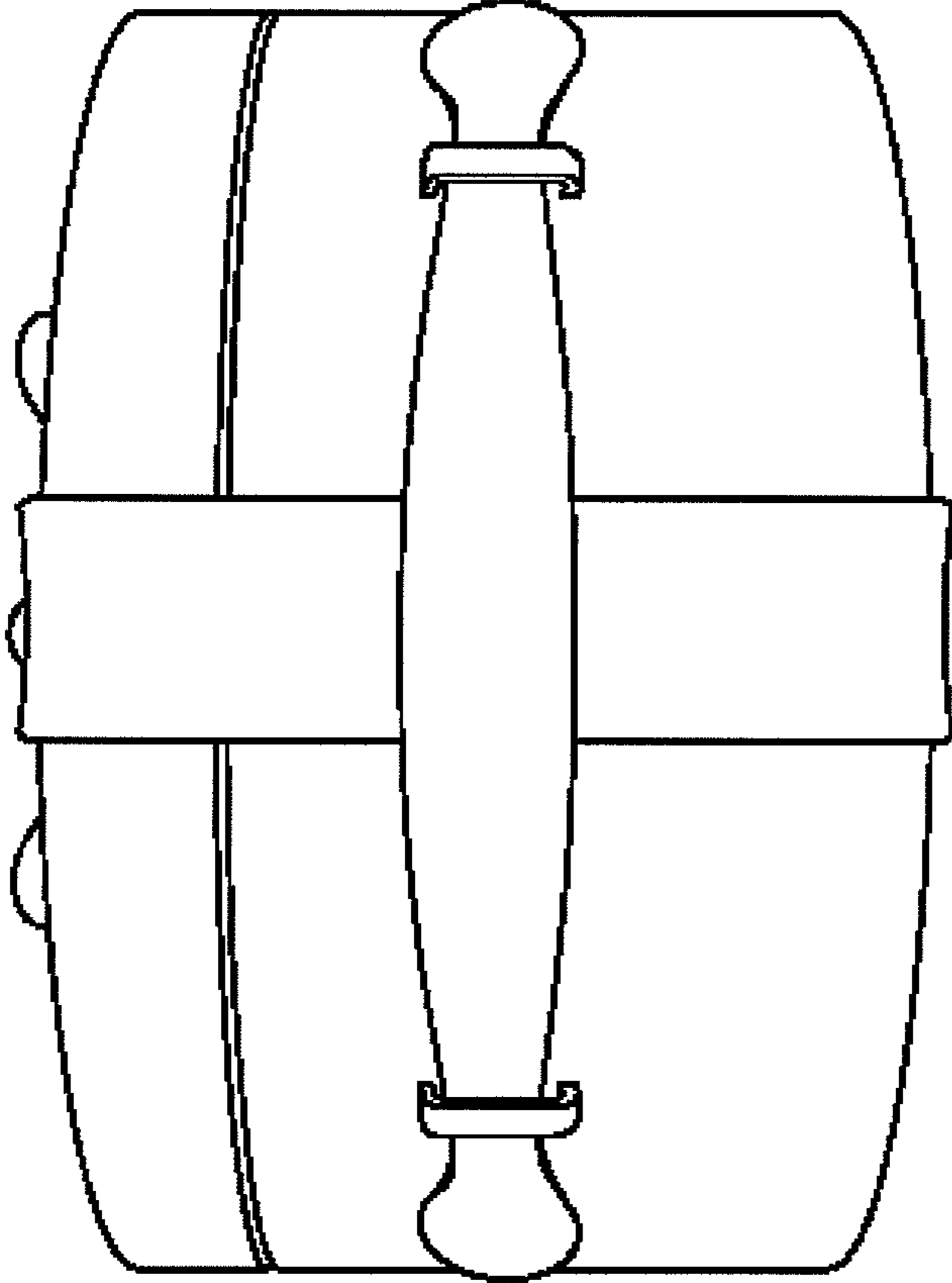


FIG. 10

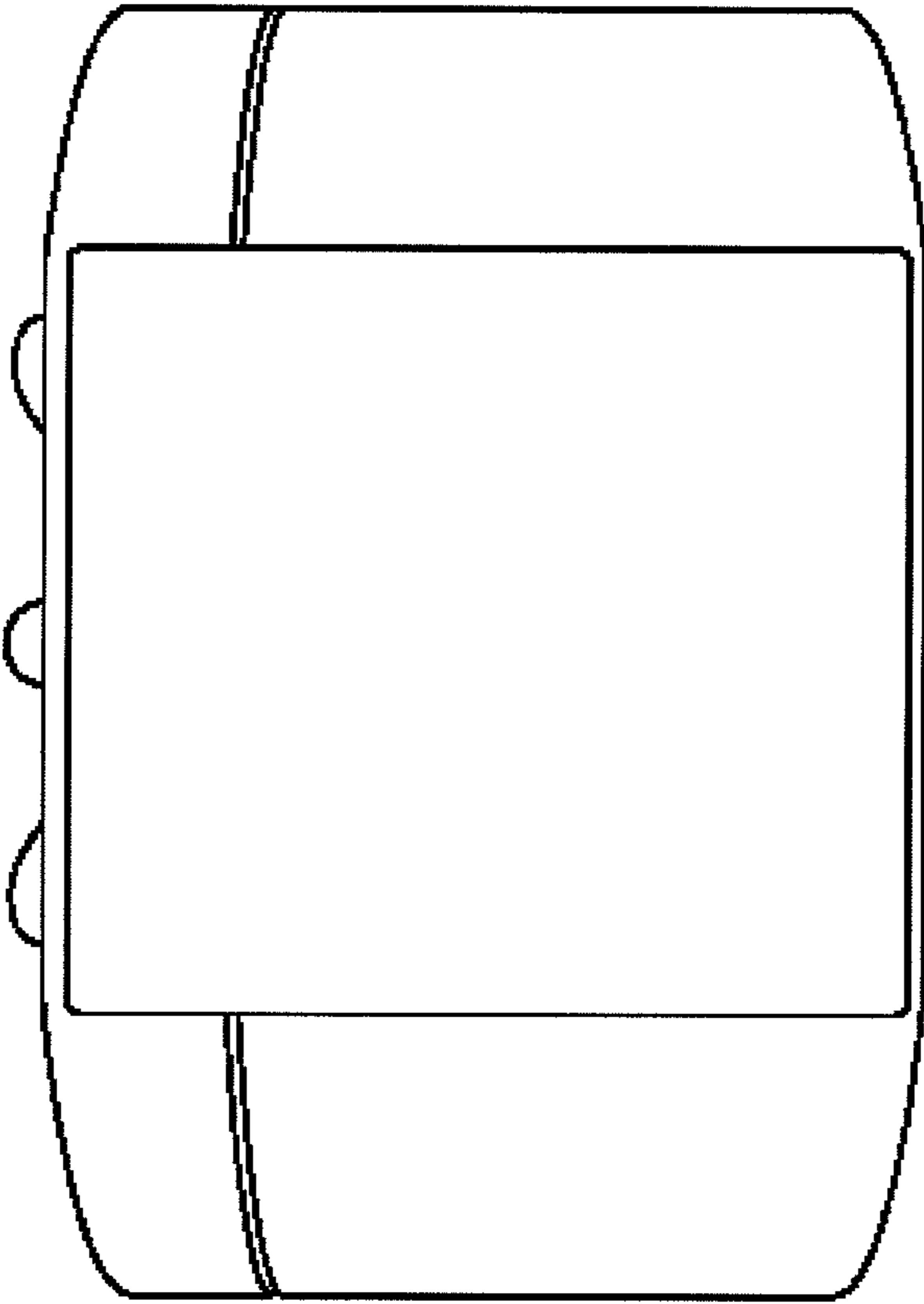


FIG. 11

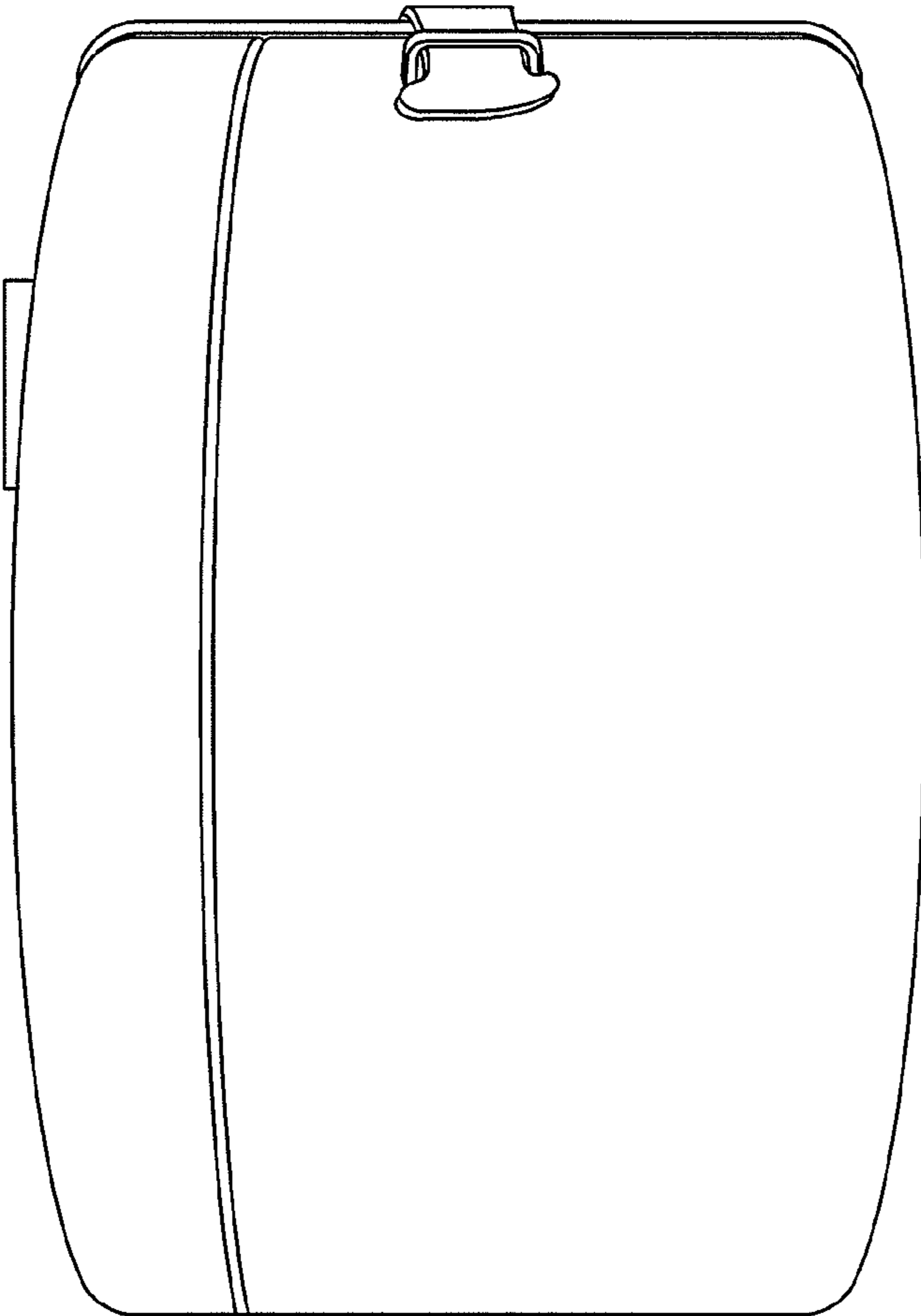


FIG. 12

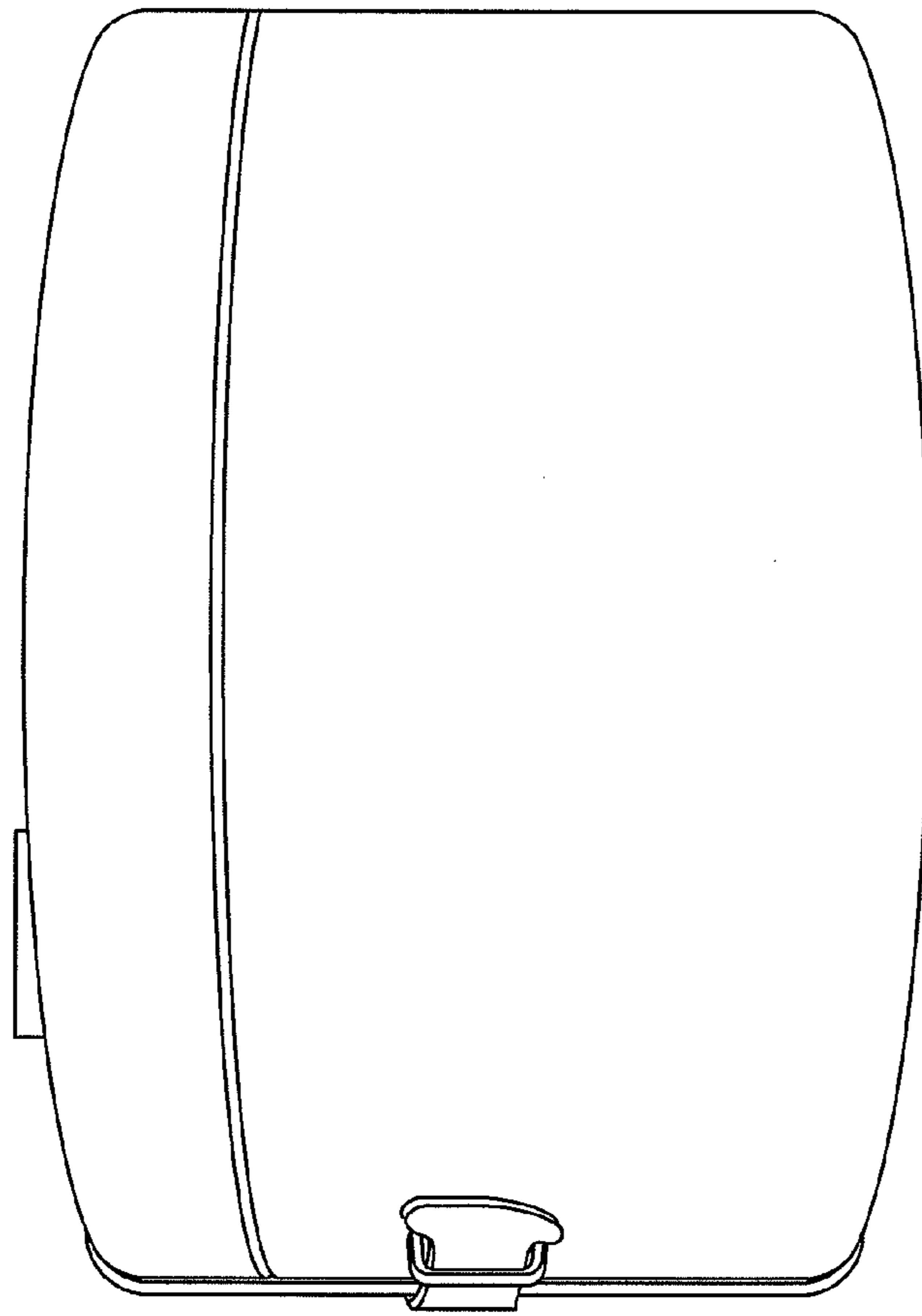


FIG. 13

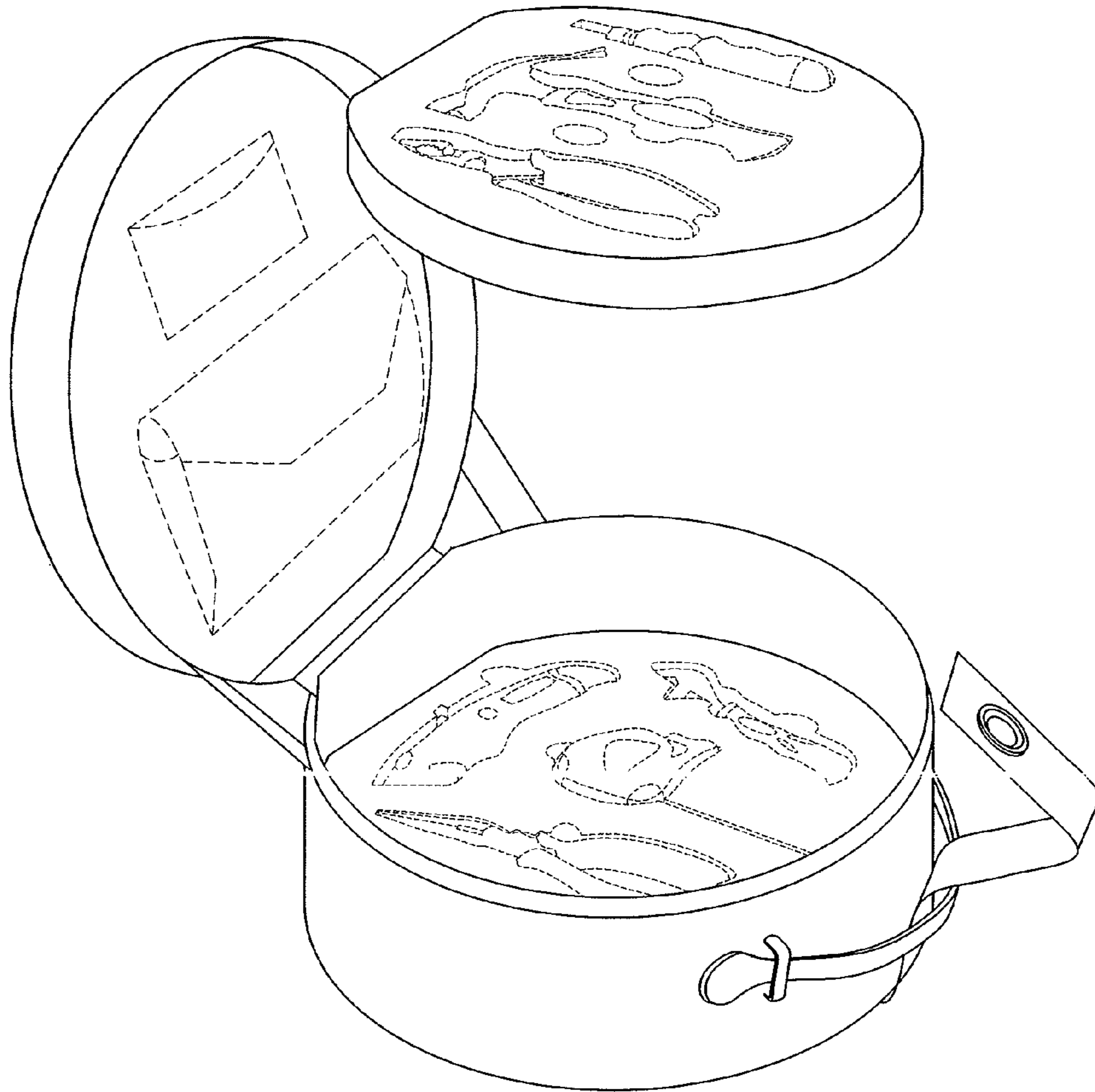


FIG. 14

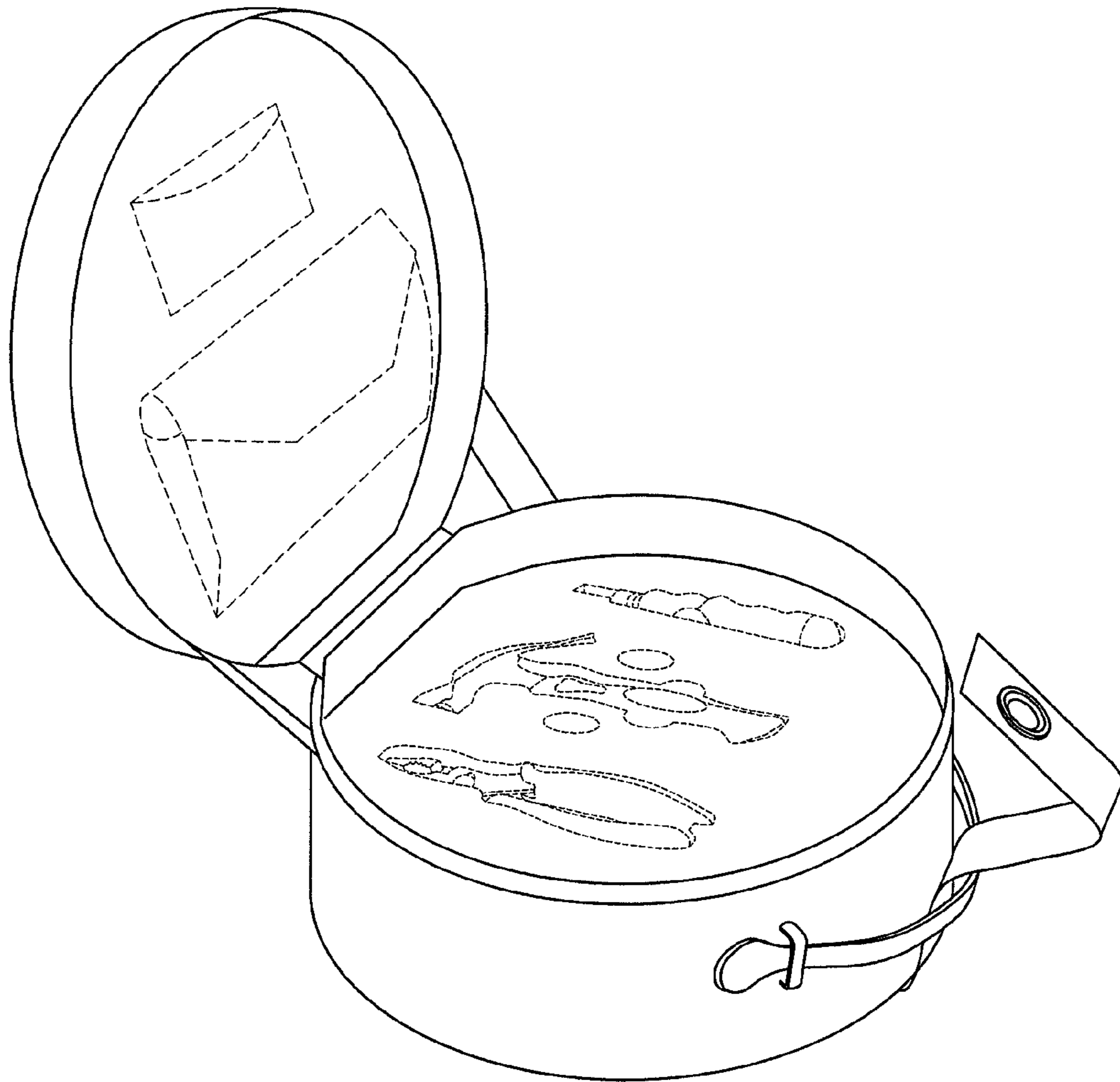


FIG. 15