



US00D735992S

(12) **United States Design Patent**
Tucker

(10) **Patent No.:** **US D735,992 S**

(45) **Date of Patent:** **** Aug. 11, 2015**

(54) **FIRE CONTAINMENT CARGO COVER AND BAG SET**

(71) Applicant: **AIRLINE CONTAINER LEASING, LLC, Easley, SC (US)**

(72) Inventor: **Wesley James Tucker, Greenville, SC (US)**

(73) Assignee: **AIRLINE CONTAINER LEASING, LLC, Easley, SC (US)**

(**) Term: **14 Years**

(21) Appl. No.: **29/485,223**

(22) Filed: **Mar. 17, 2014**

(51) **LOC (10) Cl.** **03-01**

(52) **U.S. Cl.**
USPC **D3/274; D3/290; D3/293; D3/299**

(58) **Field of Classification Search**
USPC D3/273, 276, 282, 283, 285, 287, 284, D3/289, 290, 299, 301, 900, 902, 295, 225, D3/215, 901, 272; 150/100-126, 154-168, 150/901; 190/100-127; 29/428
CPC B64D 9/00; B65B 11/02; B60P 7/0876; A63B 7/0036; A45C 2003/007; A45C 3/00; A45C 3/001; A45C 2003/002; A45C 13/02
See application file for complete search history.

(56) **References Cited**

U.S. PATENT DOCUMENTS

| | | | | |
|-----------|------|---------|-------------------|---------|
| 3,173,539 | A * | 3/1965 | Looker | 206/597 |
| 4,892,210 | A * | 1/1990 | Kupersmit | 220/1.5 |
| 7,070,373 | B2 * | 7/2006 | Brown | 410/97 |
| 7,766,590 | B2 | 8/2010 | Mapitigama et al. | |
| D656,315 | S * | 3/2012 | Kwon | D3/289 |
| D670,079 | S * | 11/2012 | Menon | D3/290 |
| D688,455 | S * | 8/2013 | Boldetti et al. | D3/279 |
| 8,544,922 | B1 * | 10/2013 | Huzar | 294/214 |
| 8,641,340 | B1 * | 2/2014 | Steinbock et al. | 410/97 |

| | | | | |
|--------------|------|--------|-------------------|-----------|
| 2004/0146372 | A1 * | 7/2004 | Brown et al. | 410/118 |
| 2008/0003075 | A1 * | 1/2008 | Mapitigama et al. | 410/97 |
| 2008/0142558 | A1 * | 6/2008 | Dexter | 224/275 |
| 2011/0084163 | A1 * | 4/2011 | Macia | 244/118.1 |

(Continued)

OTHER PUBLICATIONS

Google image search "Fire containment cargo cover system" date restricted to before Mar. 17, 2013. Accessed on May 22, 2015.*

Primary Examiner — Jennifer Rivard

Assistant Examiner — April Rivas

(74) *Attorney, Agent, or Firm* — Dority & Manning, PA

(57) **CLAIM**

The ornamental design for a fire containment cargo cover and bag set, as shown and described.

DESCRIPTION

FIG. 1 is a perspective view of a fire containment cargo cover and bag set.

FIG. 2 is the right side view thereof.

FIG. 3 is the left side view thereof.

FIG. 4 is a front side view thereof.

FIG. 5 is a back side view thereof.

FIG. 6 is a top view thereof.

FIG. 7 is a bottom view thereof.

FIG. 8 is a perspective view of a bag.

FIG. 9 is a front side view thereof.

FIG. 10 is a back side view thereof.

FIG. 11 is a left side view thereof.

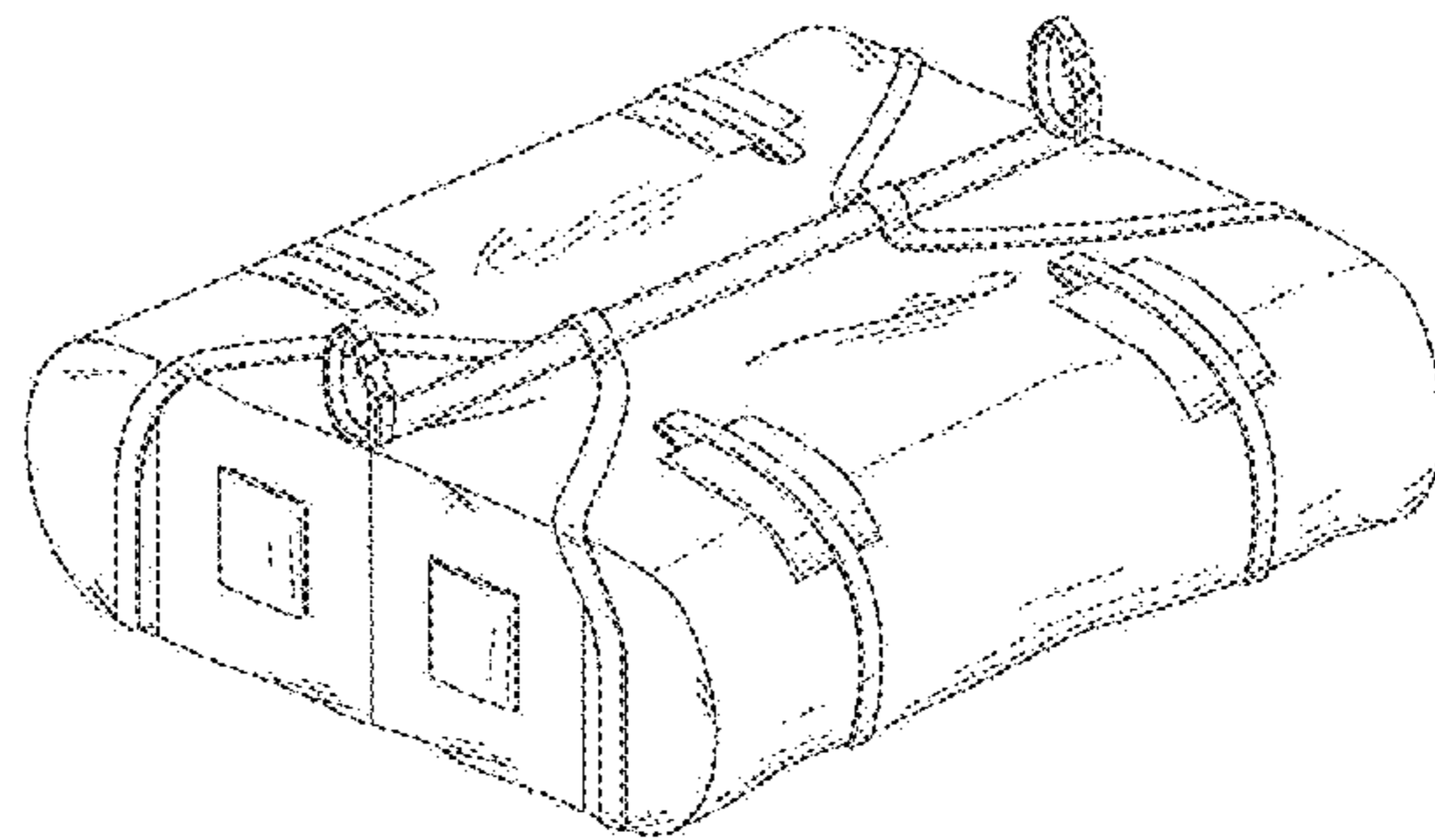
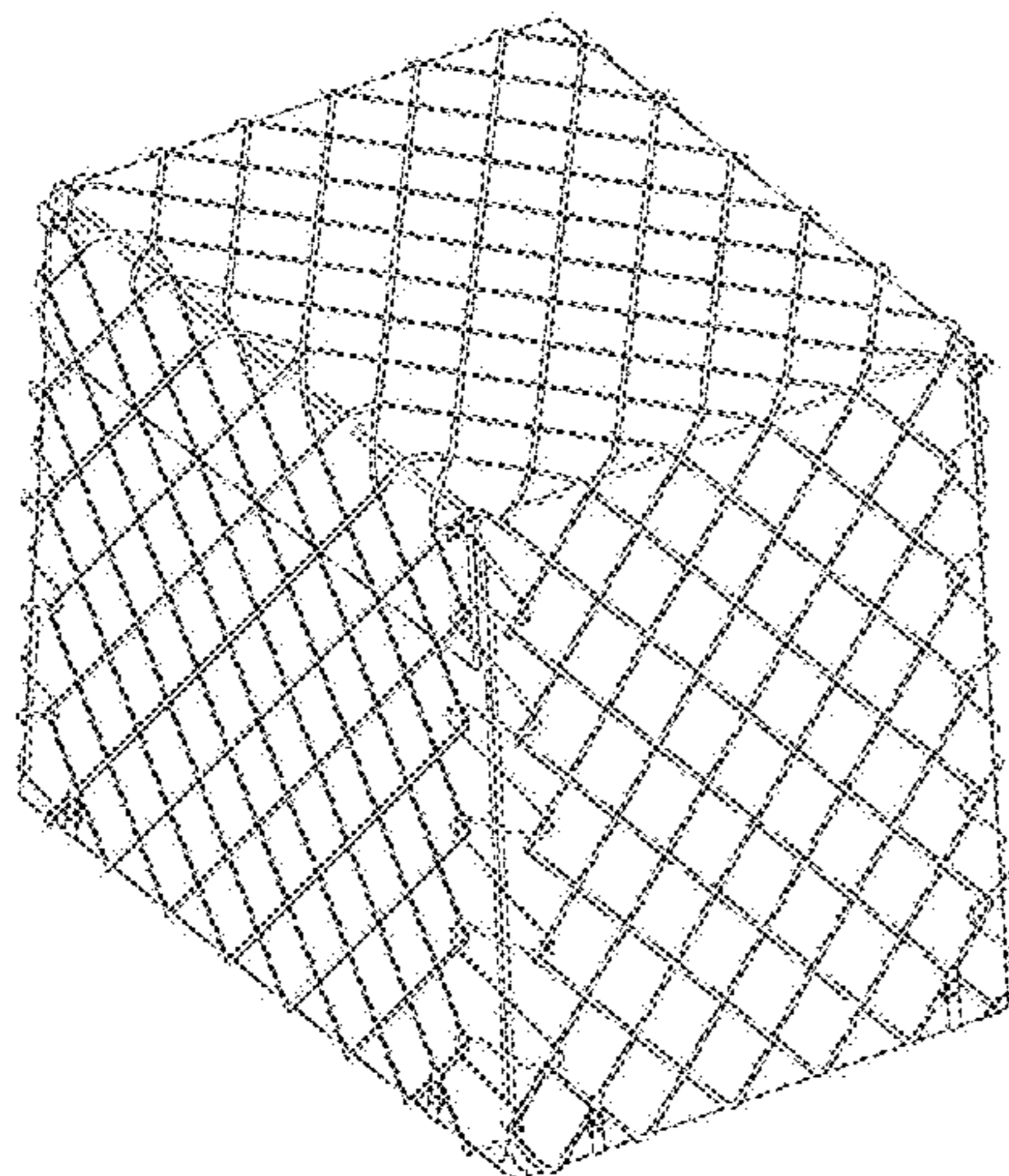
FIG. 12 is a right side view thereof.

FIG. 13 is a top view thereof; and,

FIG. 14 is a bottom view thereof.

The fire containment cargo cover is shown without the bag in FIGS. 1-7 for convenience of illustration. The bag is shown without the fire containment cargo cover in FIGS. 8-14 for convenience of illustration. The claimed design is shown in solid lines.

1 Claim, 9 Drawing Sheets



US D735,992 S

Page 2

(56)

References Cited

U.S. PATENT DOCUMENTS

| | | | |
|------------------|--------|--------------------|----------|
| 2012/0006640 A1* | 1/2012 | Santy | 190/18 A |
| 2013/0032260 A1* | 2/2013 | Davies et al. | 150/154 |
| 2011/0129169 A1* | 6/2011 | Dozier et al. | 383/105 |

* cited by examiner

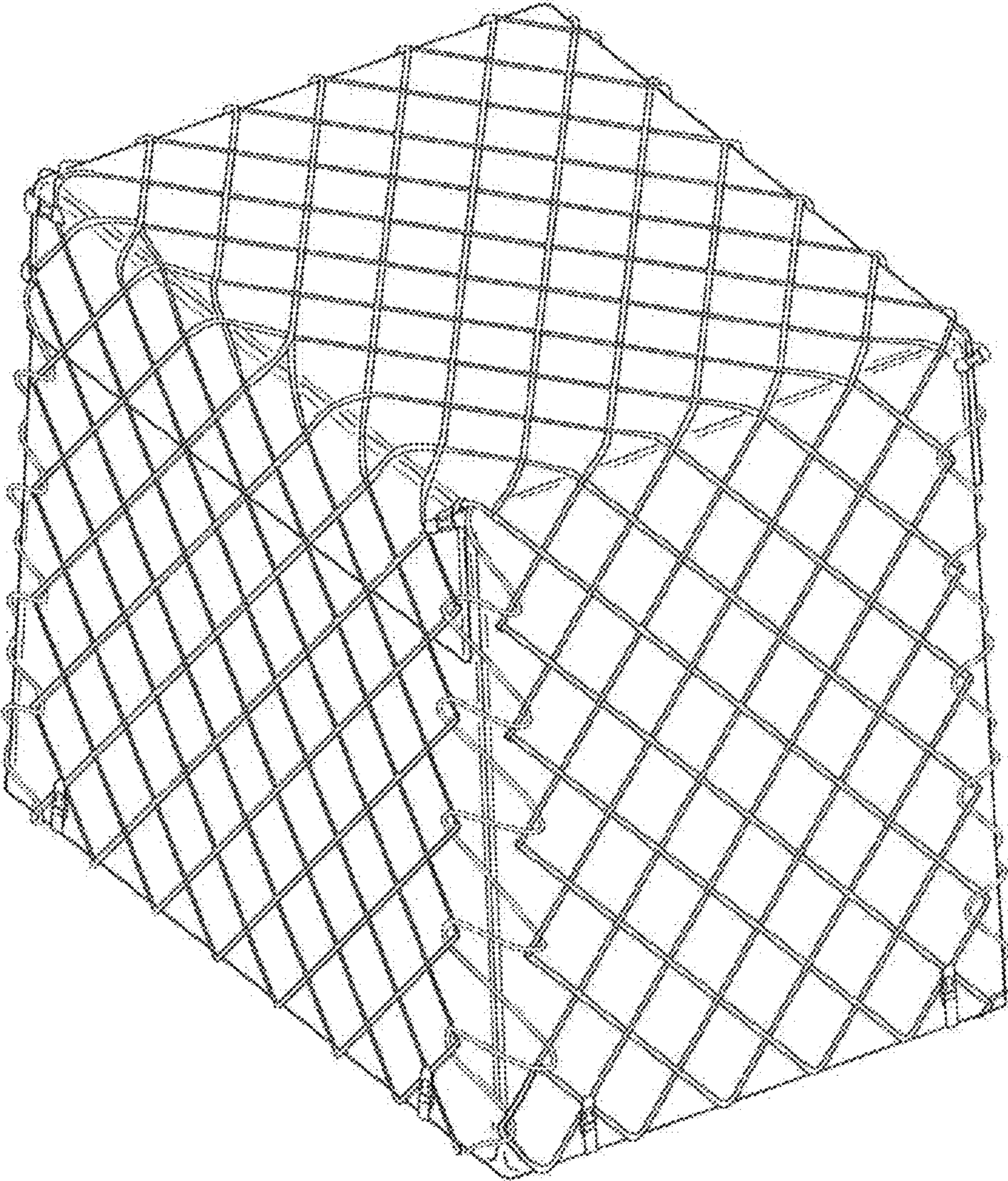


FIG. 1

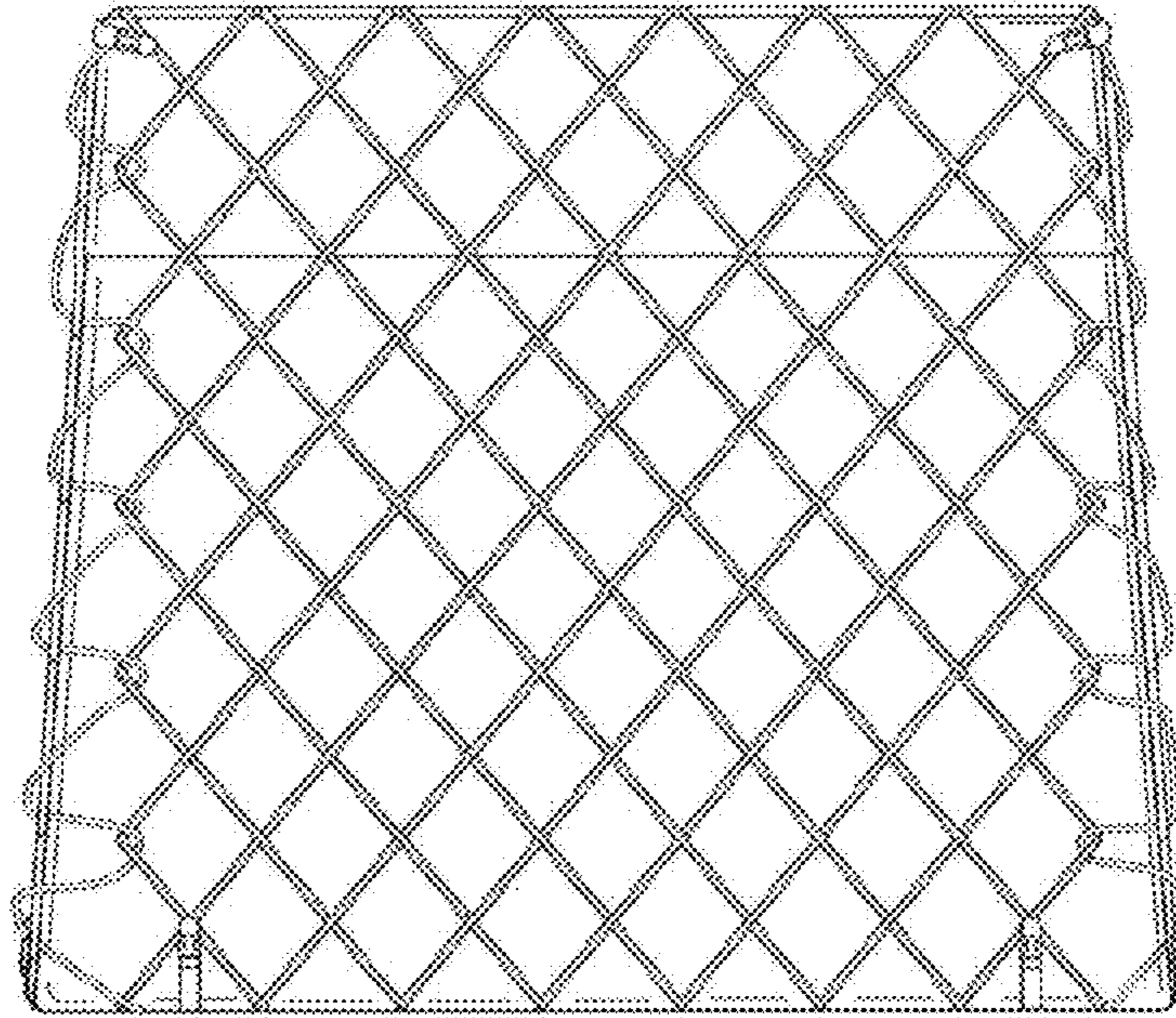


FIG. 2

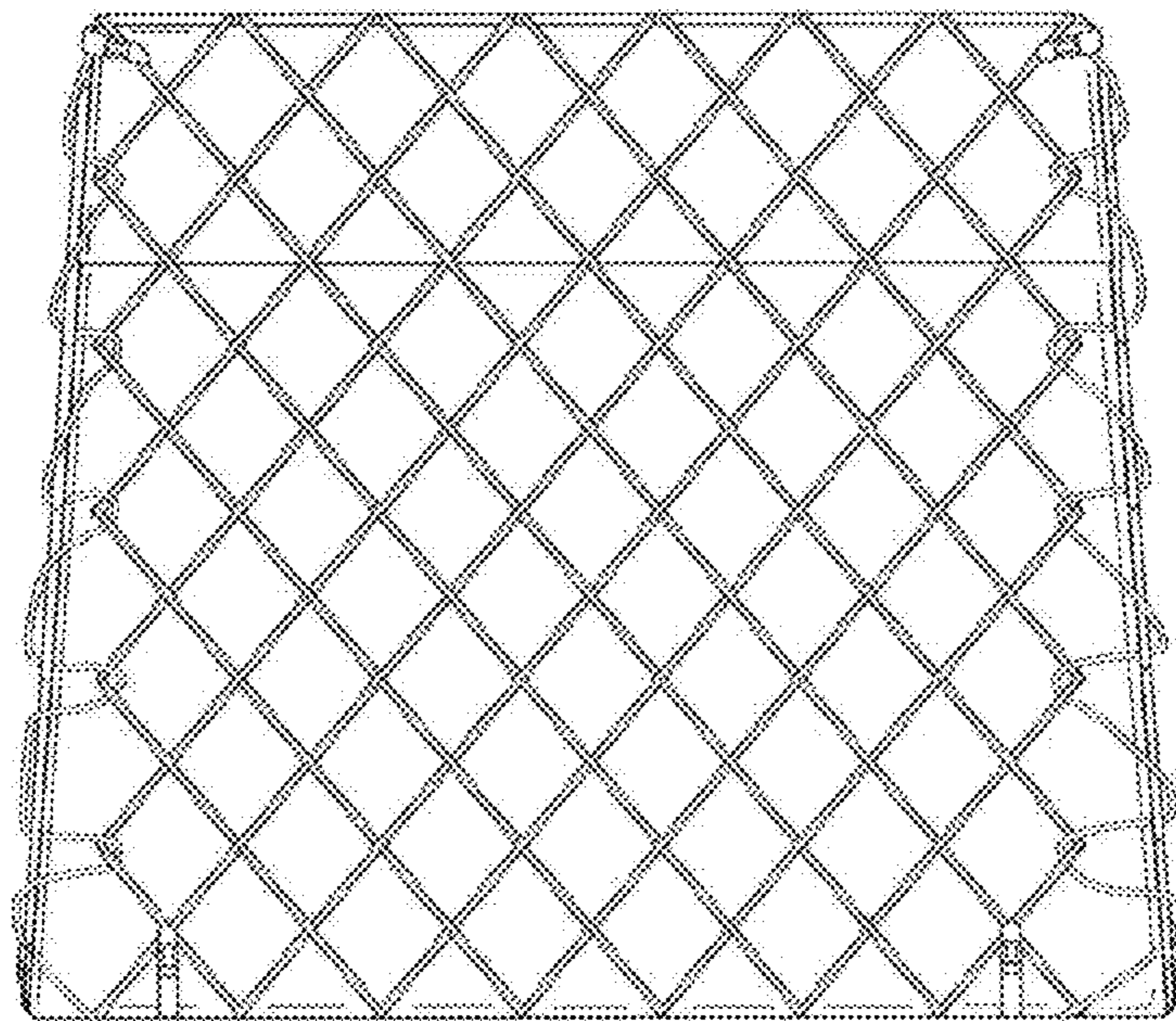


FIG. 3

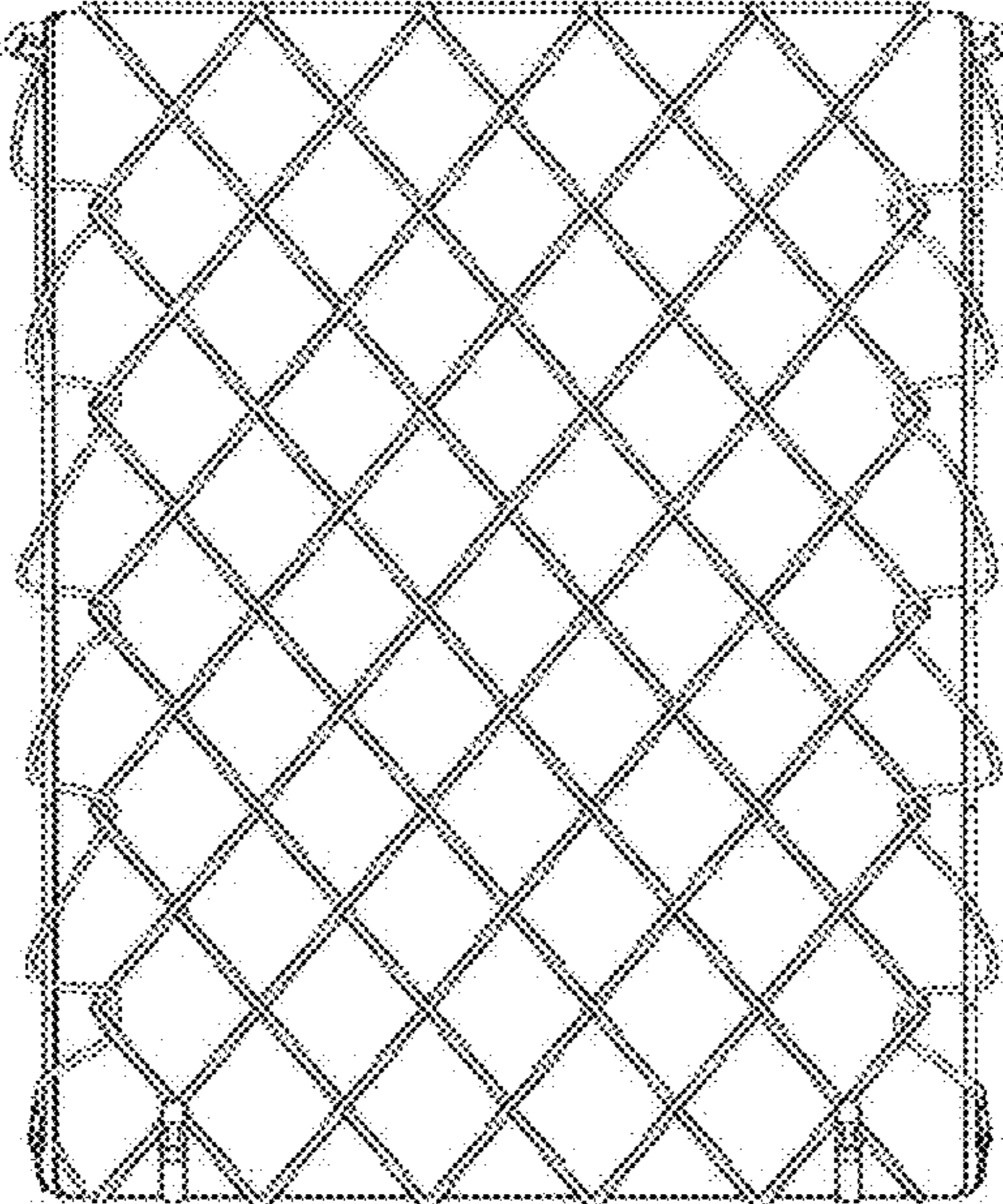


FIG. 4

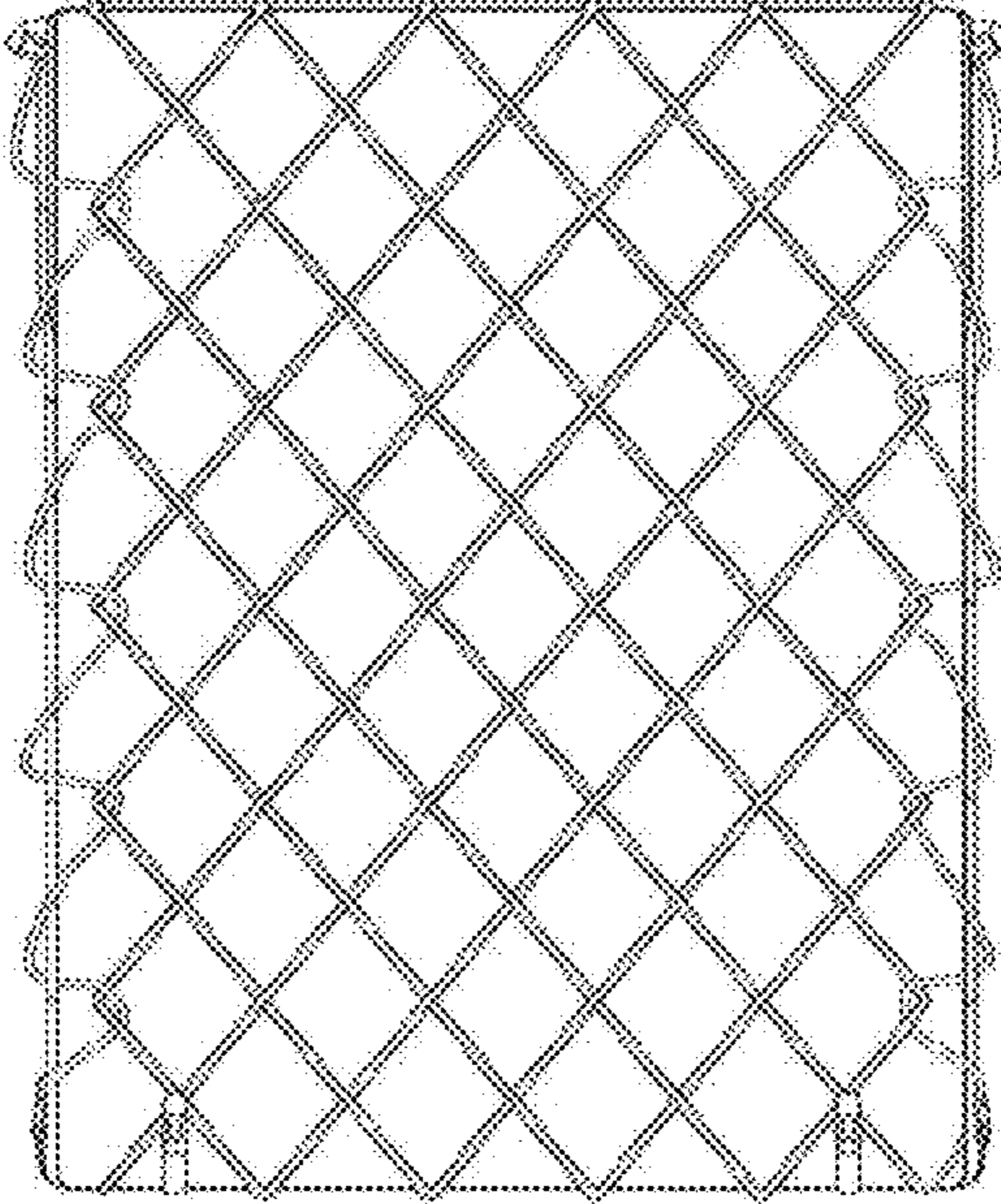


FIG. 5

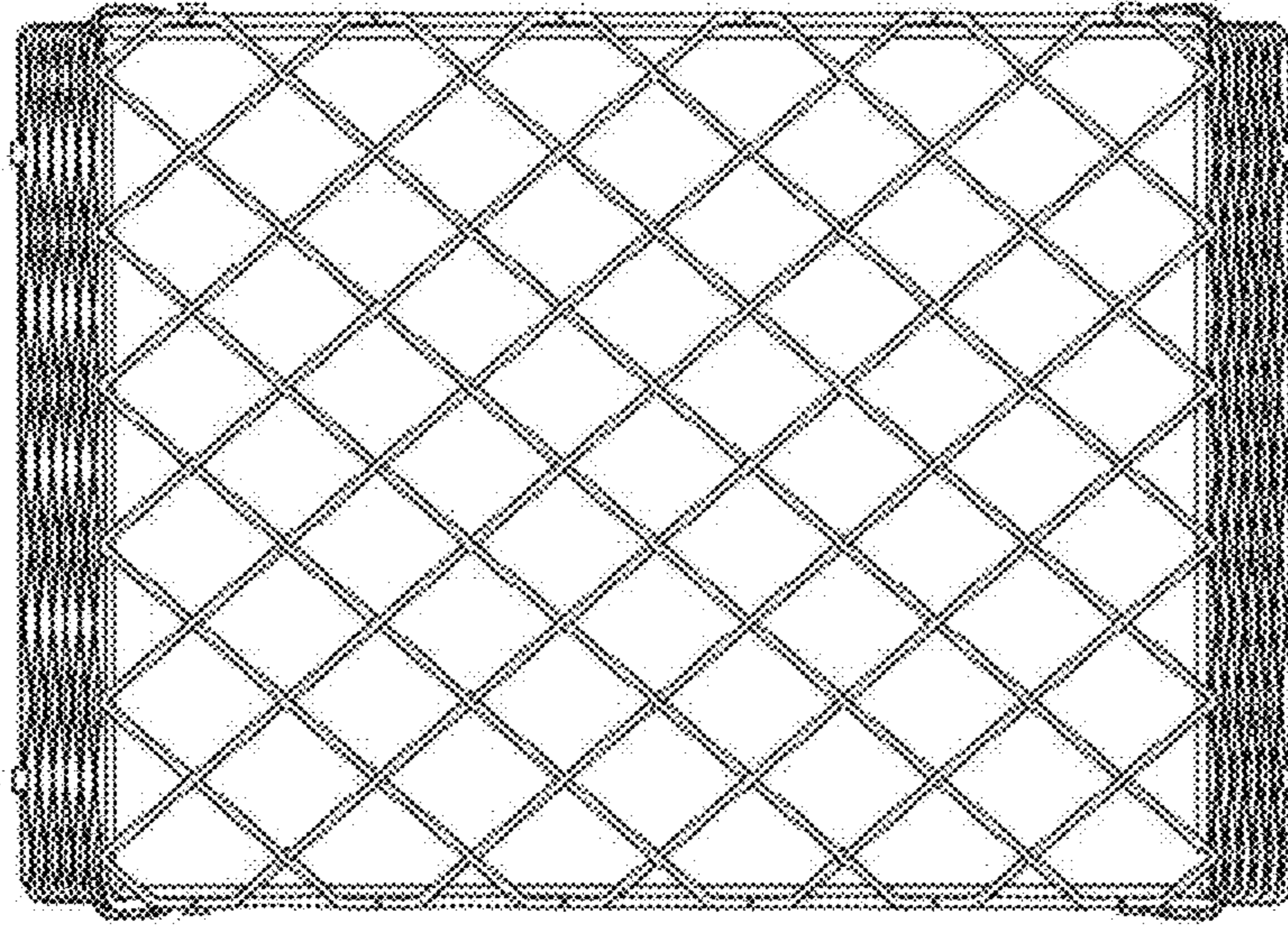


FIG. 6

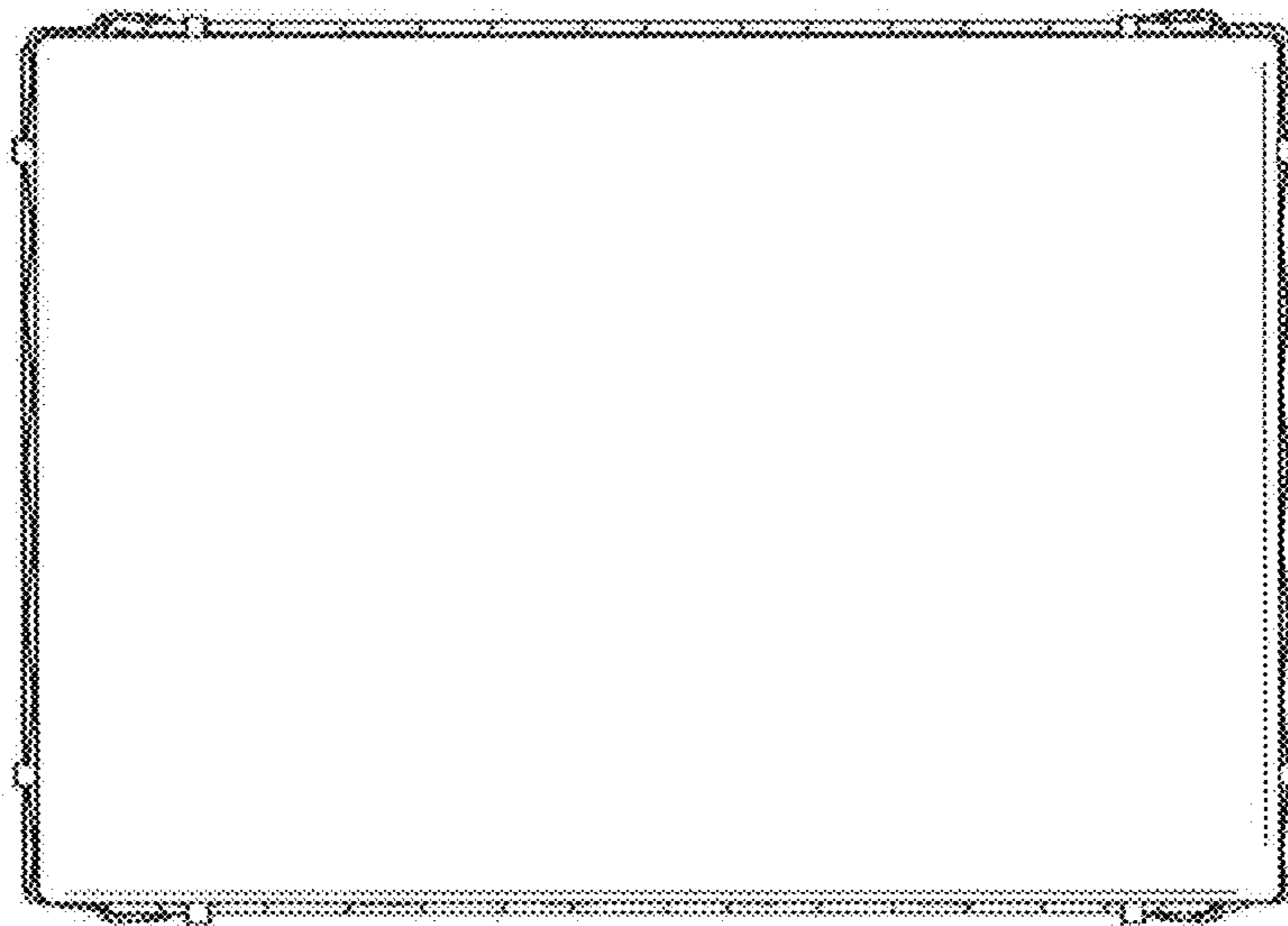


FIG. 7

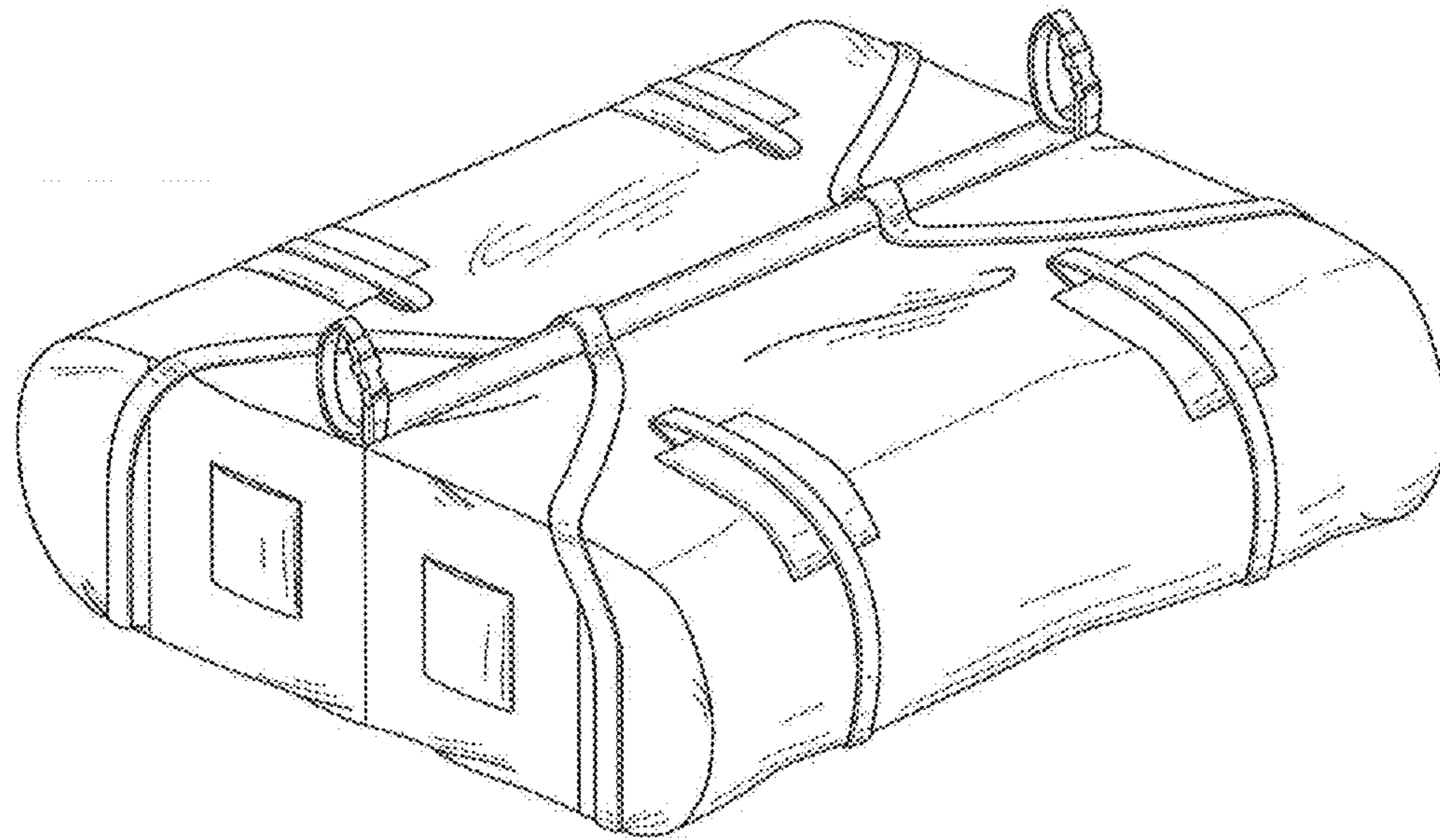


FIG. 8

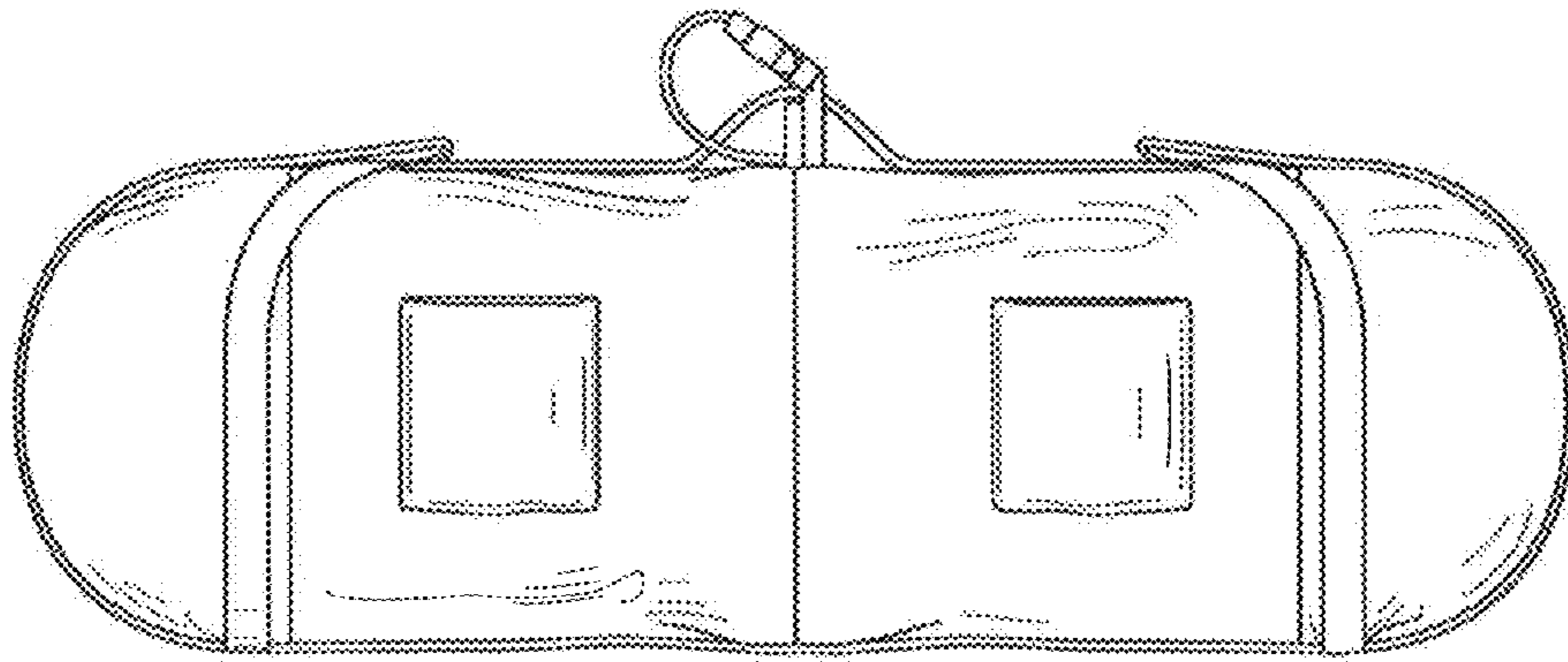


FIG. 9

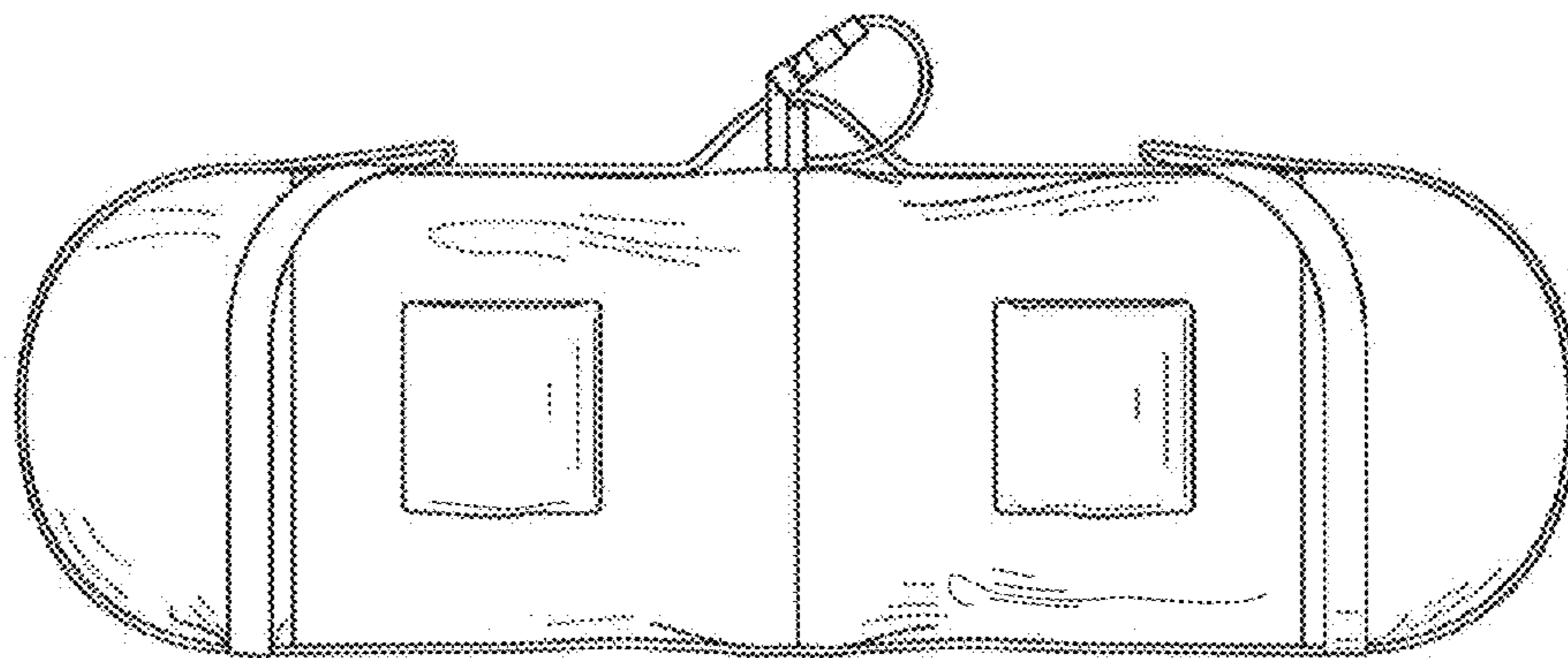


FIG. 10

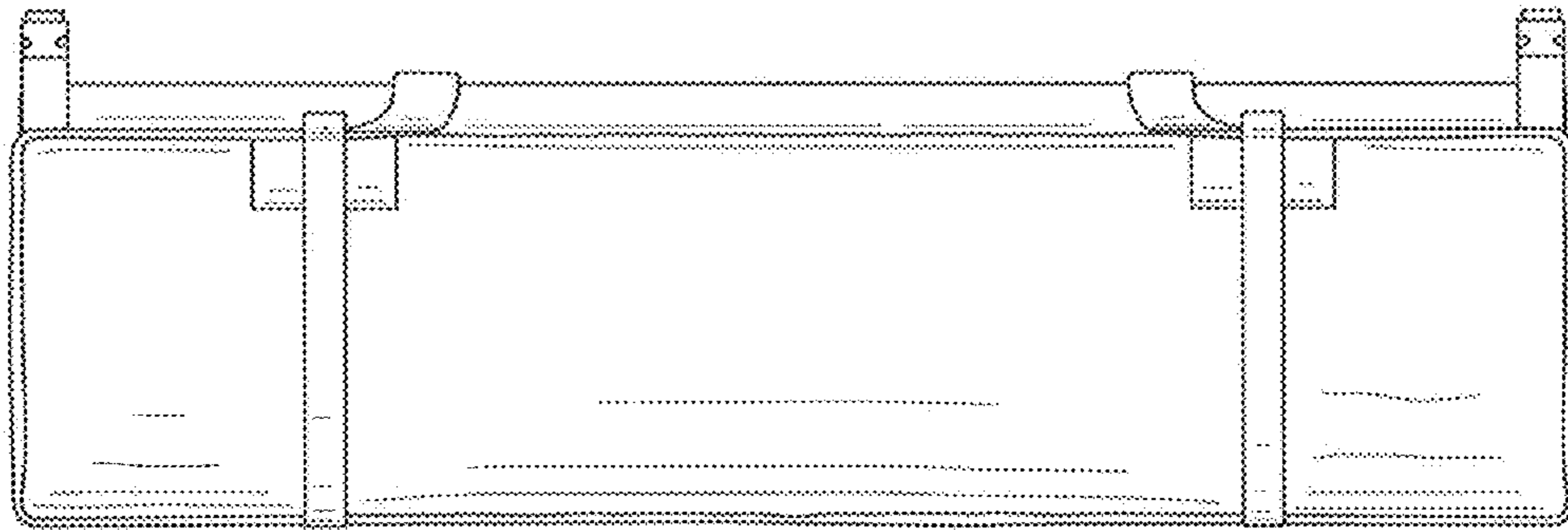


FIG. 11

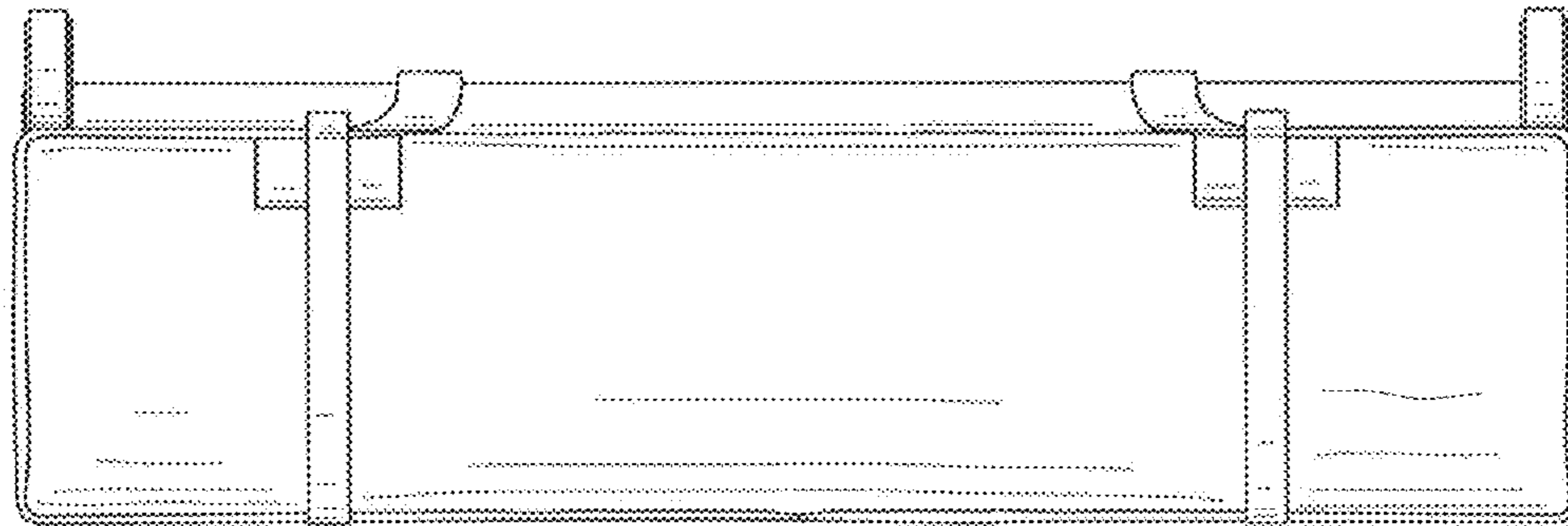


FIG. 12

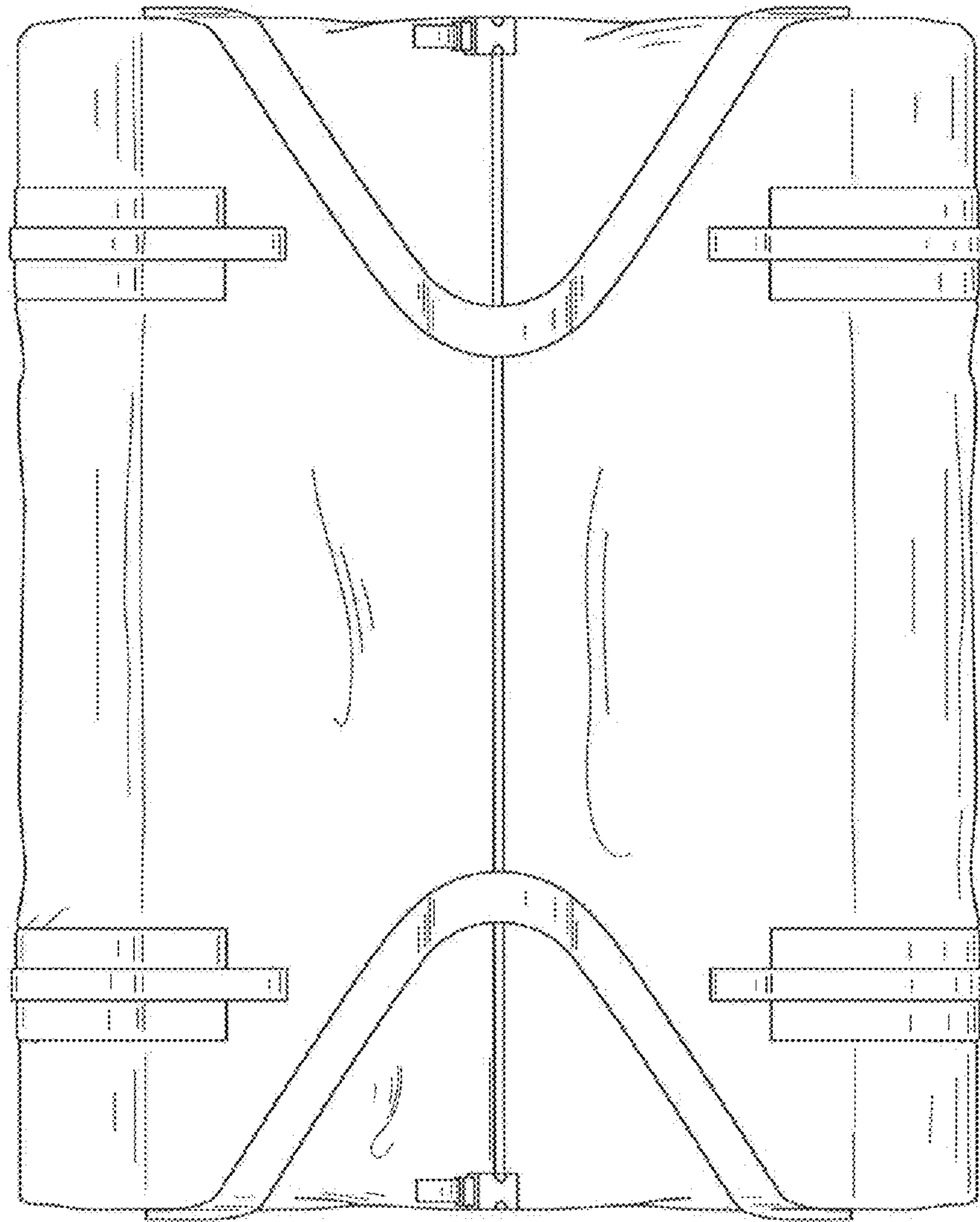


FIG. 13

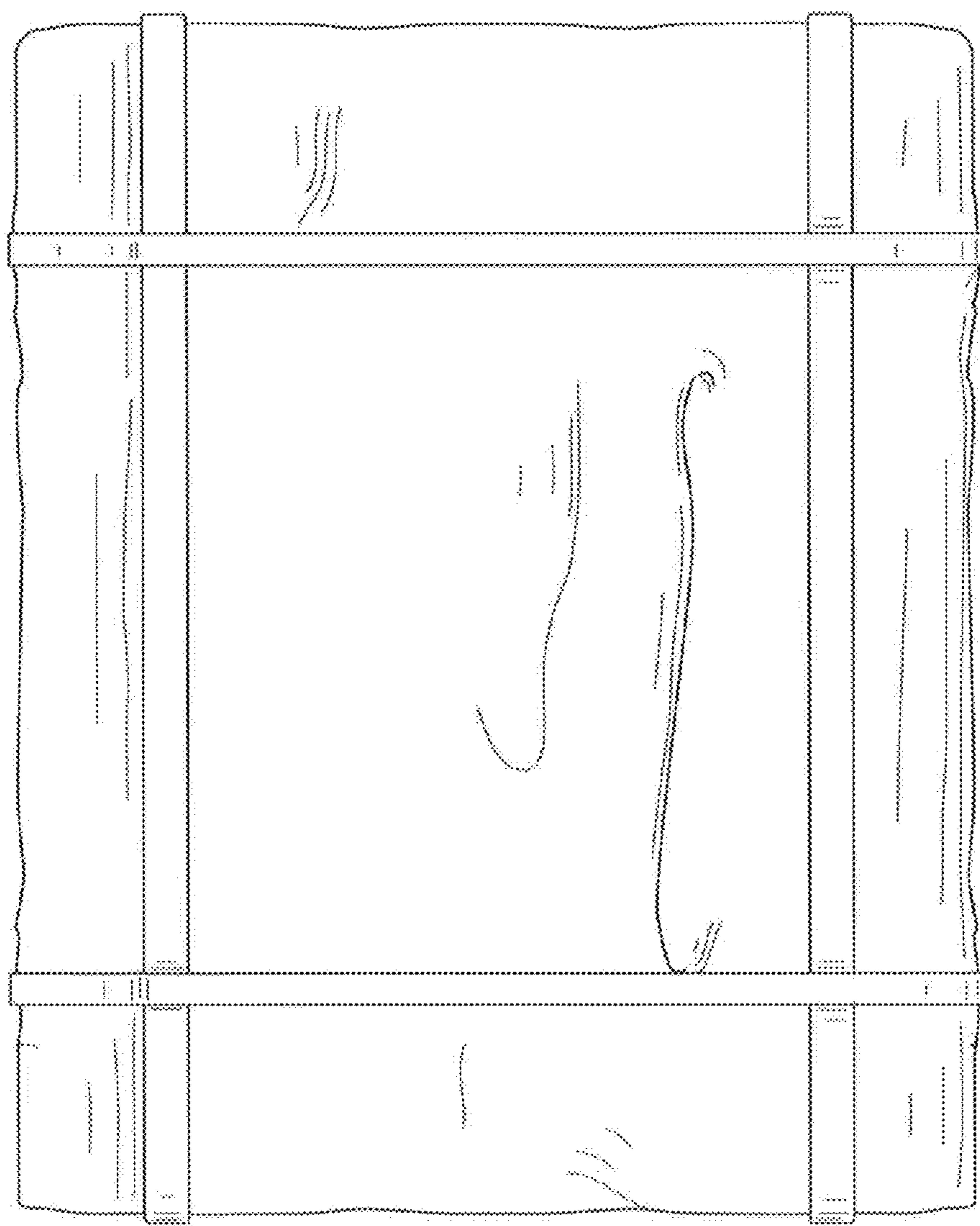


FIG. 14