



US00D735990S

(12) **United States Design Patent**
Folise

(10) **Patent No.:** **US D735,990 S**

(45) **Date of Patent:** **** Aug. 11, 2015**

- (54) **CAMERA KIT BAG**
- (75) Inventor: **Michael J. Folise**, Seattle, WA (US)
- (73) Assignee: **TEDOLPH CONSOLIDATED INDUSTRIES**, Seattle, WA (US)
- (**) Term: **14 Years**
- (21) Appl. No.: **29/410,835**
- (22) Filed: **Jan. 12, 2012**
- (51) **LOC (10) Cl.** **03-01**
- (52) **U.S. Cl.**
USPC **D3/267**
- (58) **Field of Classification Search**
USPC D3/267, 216–217, 219, 224, 243, 268,
D3/276, 283–287, 289–290, 901;
D7/326–327, 602, 607; 150/104, 106,
150/111–113, 117; 190/109, 110–112;
206/581, 316.1, 316.2; 383/38;
224/908
CPC A45C 3/06; A45C 3/08; A45C 3/00;
A45C 11/38; A45C 7/0086; A45C 13/02;
A45C 5/00; B65D 85/38; B65D 31/12;
B65D 81/3261; A45F 5/00; F16M 13/04
See application file for complete search history.

- 5,769,221 A * 6/1998 Cyr 206/316.1
- 5,775,496 A * 7/1998 Cyr 206/316.1
- 6,068,402 A 5/2000 Freese et al.
- 6,206,224 B1 3/2001 Potts et al.
- 6,789,711 B2 9/2004 Kinsella
- D499,251 S * 12/2004 Chen et al. D3/219
- D614,867 S * 5/2010 Johnson D3/290
- D633,296 S 3/2011 Potts et al.
- 7,958,920 B1 6/2011 Olsson
- 2002/0014507 A1 * 2/2002 Snider et al. 224/671
- 2012/0267365 A1 * 10/2012 Sabounjian 220/6

OTHER PUBLICATIONS

Jim Domke, Happague, New York, USA (published more than one year prior to the application filing date).
 Tamrac, Inc., 3442-Rally 2 Camera Bag, 2010, Chatsworth, California, USA (published more than one year prior to the application filing date).

* cited by examiner

Primary Examiner — Caron D Veynar
Assistant Examiner — Holly E Thurman
 (74) *Attorney, Agent, or Firm* — Lowe Graham Jones PLLC

(57) **CLAIM**
 The ornamental design for a camera kit bag, as shown and described.

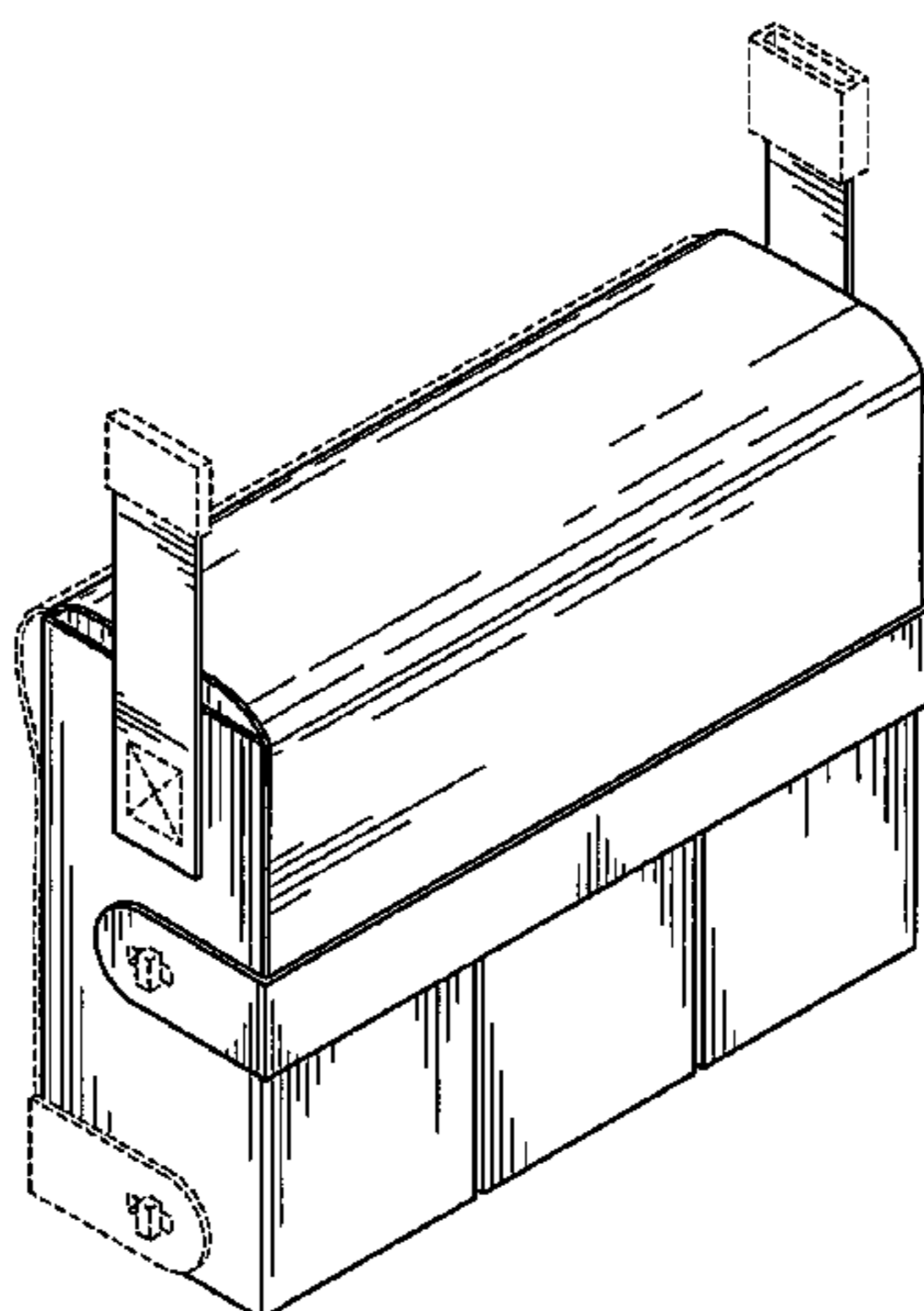
DESCRIPTION

FIG. 1 is a left front perspective view of a camera kit bag showing my new design.
 FIG. 2 is a top plan view thereof.
 FIG. 3 is a right side elevational view thereof; the left side view being a mirror image thereof.
 FIG. 4 is a front elevational view thereof.
 FIG. 5 is a rear elevational view thereof; and,
 FIG. 6 is a bottom plan view thereof.
 The portions of the design shown in phantom lines are for demonstrating a position of a top flap of the camera kit bag in an open position and form no part of the claimed invention.

1 Claim, 3 Drawing Sheets

(56) **References Cited**
U.S. PATENT DOCUMENTS

- 2,324,194 A * 7/1943 Campiglia 224/623
- D251,154 S * 2/1979 Wozniak D3/217
- D252,539 S * 8/1979 Cohee D3/267
- D258,702 S * 3/1981 Weinreb D3/268
- D273,535 S * 4/1984 Weinreb D3/268
- D276,953 S * 1/1985 Weinreb D3/268
- D293,506 S * 1/1988 Kappel et al. D3/268
- D321,981 S * 12/1991 Hanke D3/267
- D328,550 S 8/1992 Mogil et al.
- D369,676 S * 5/1996 Palmer D3/268
- 5,573,114 A * 11/1996 Cyr 206/316.1
- D387,249 S 12/1997 Mogil



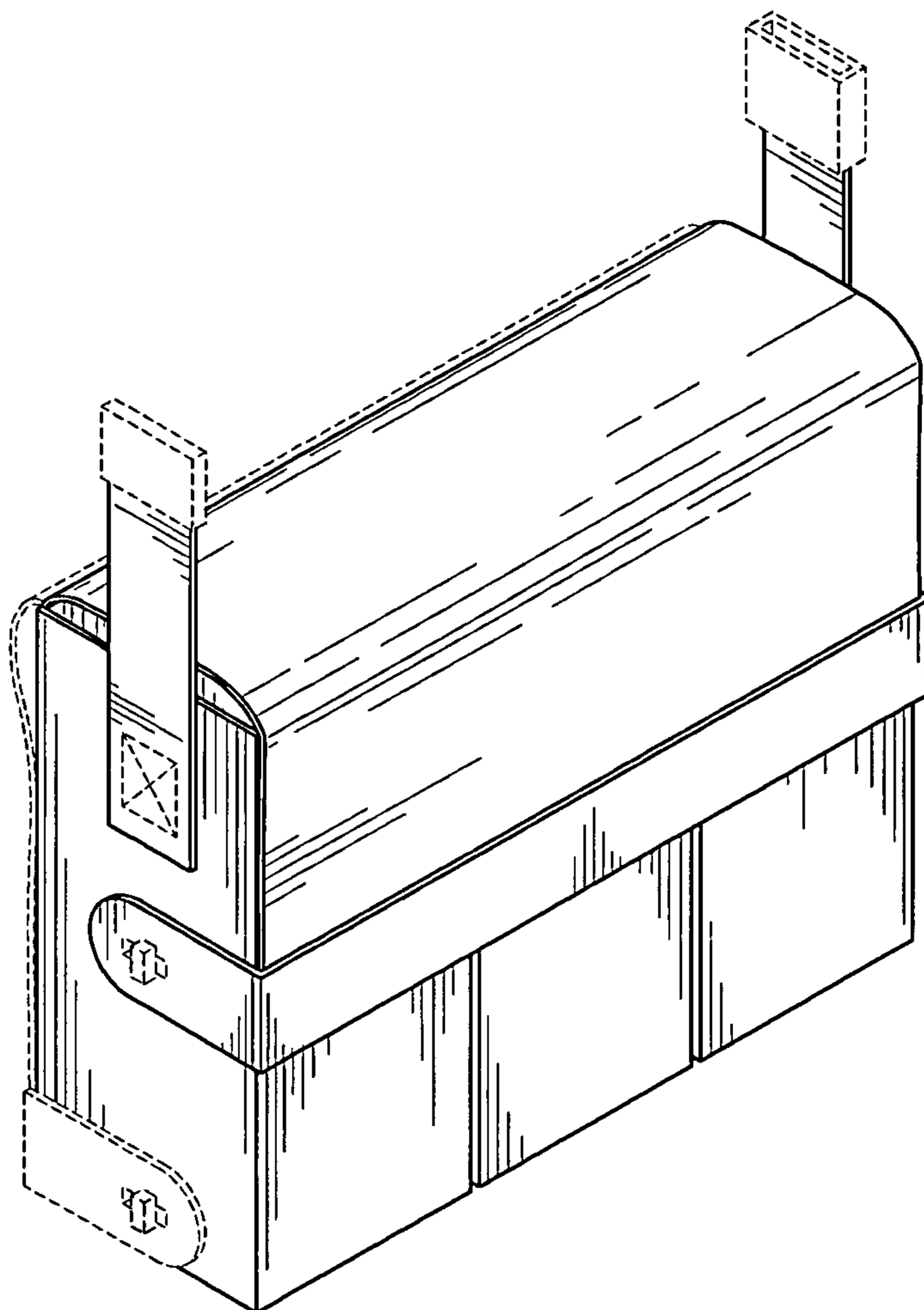


Fig. 1

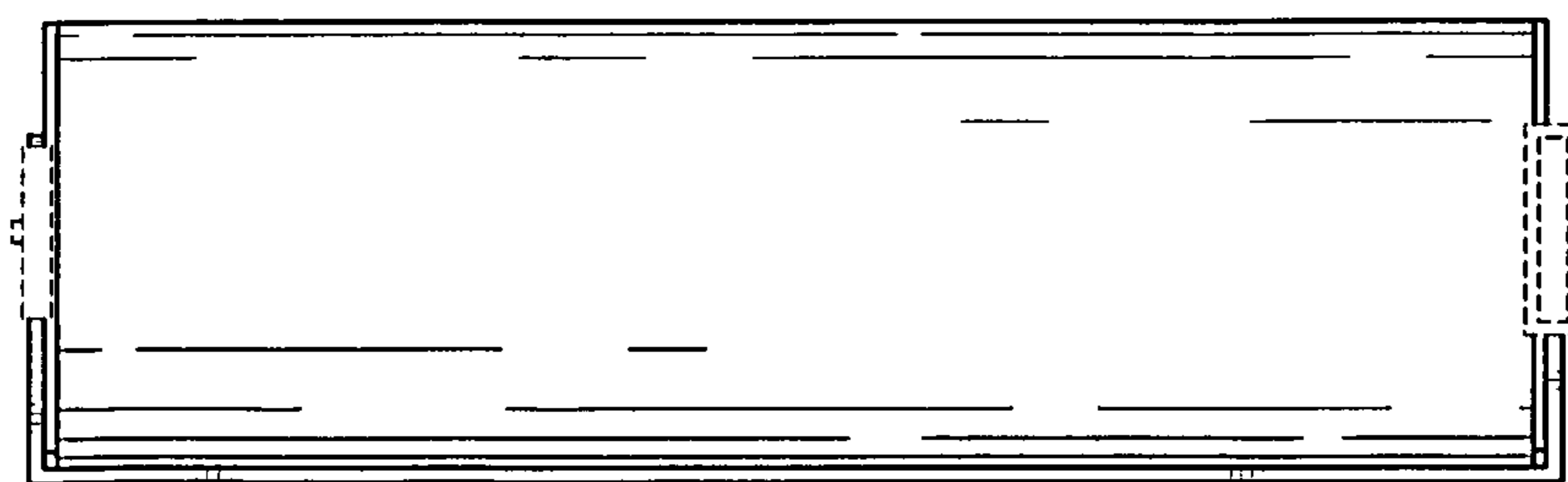


Fig. 2

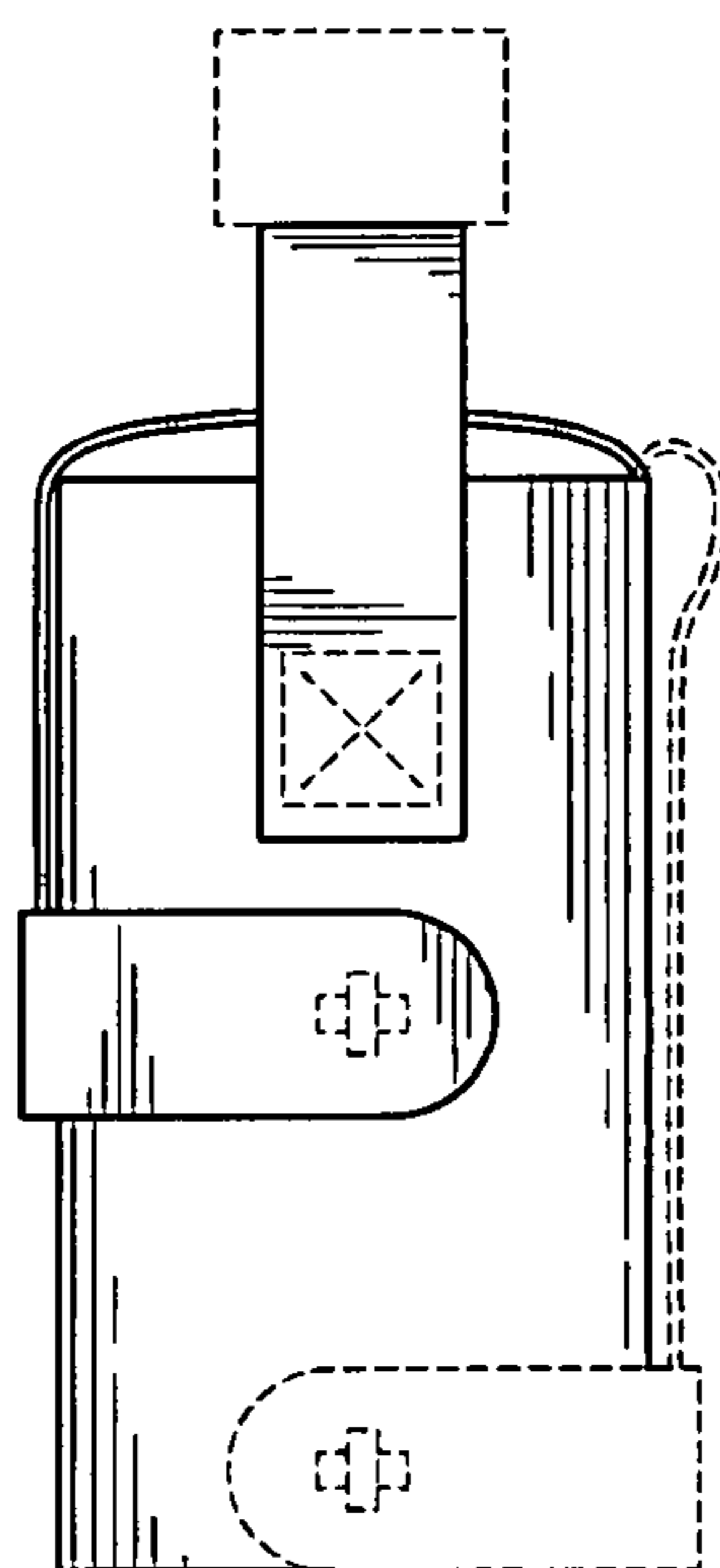


Fig. 3

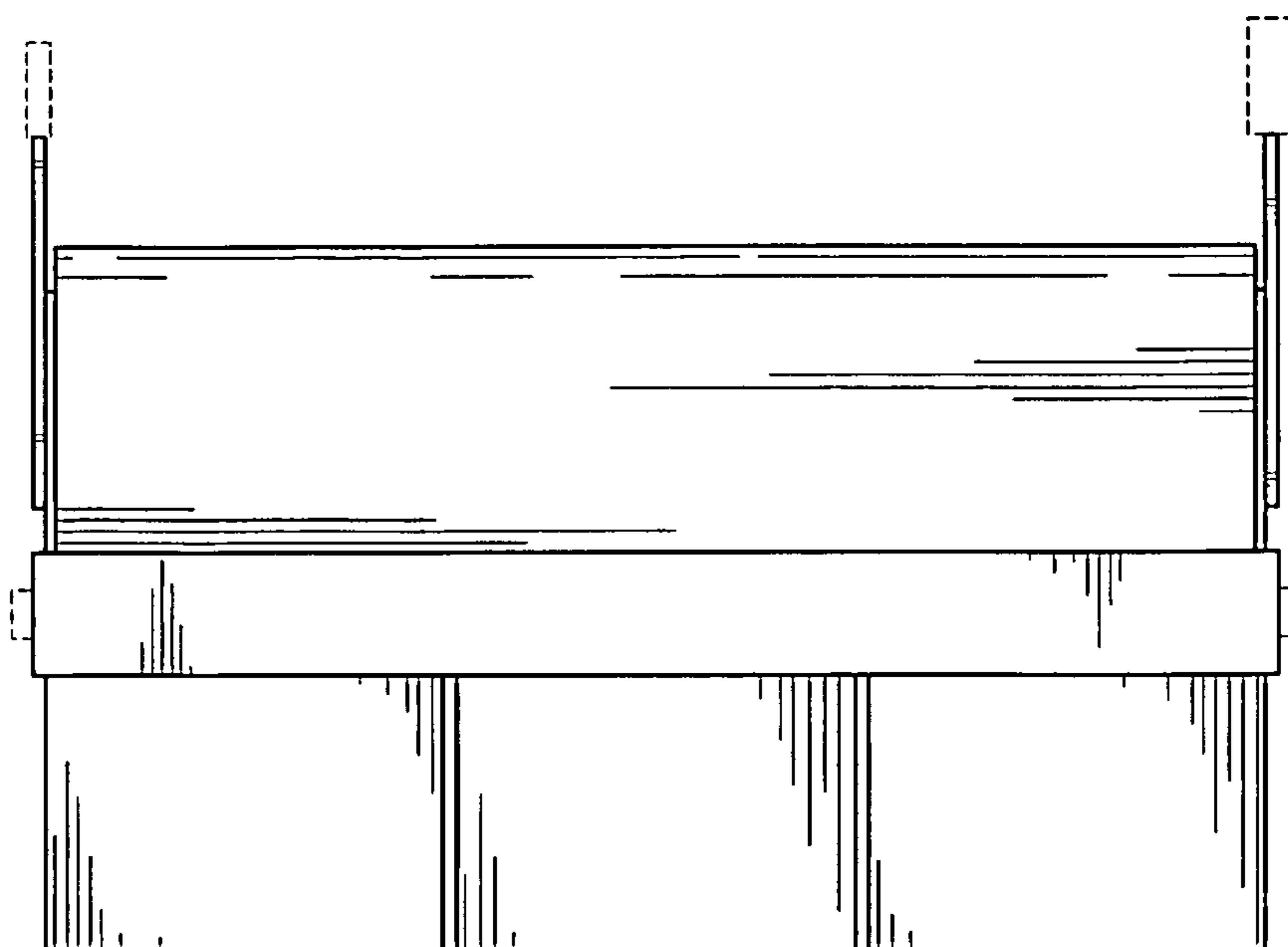


Fig. 4

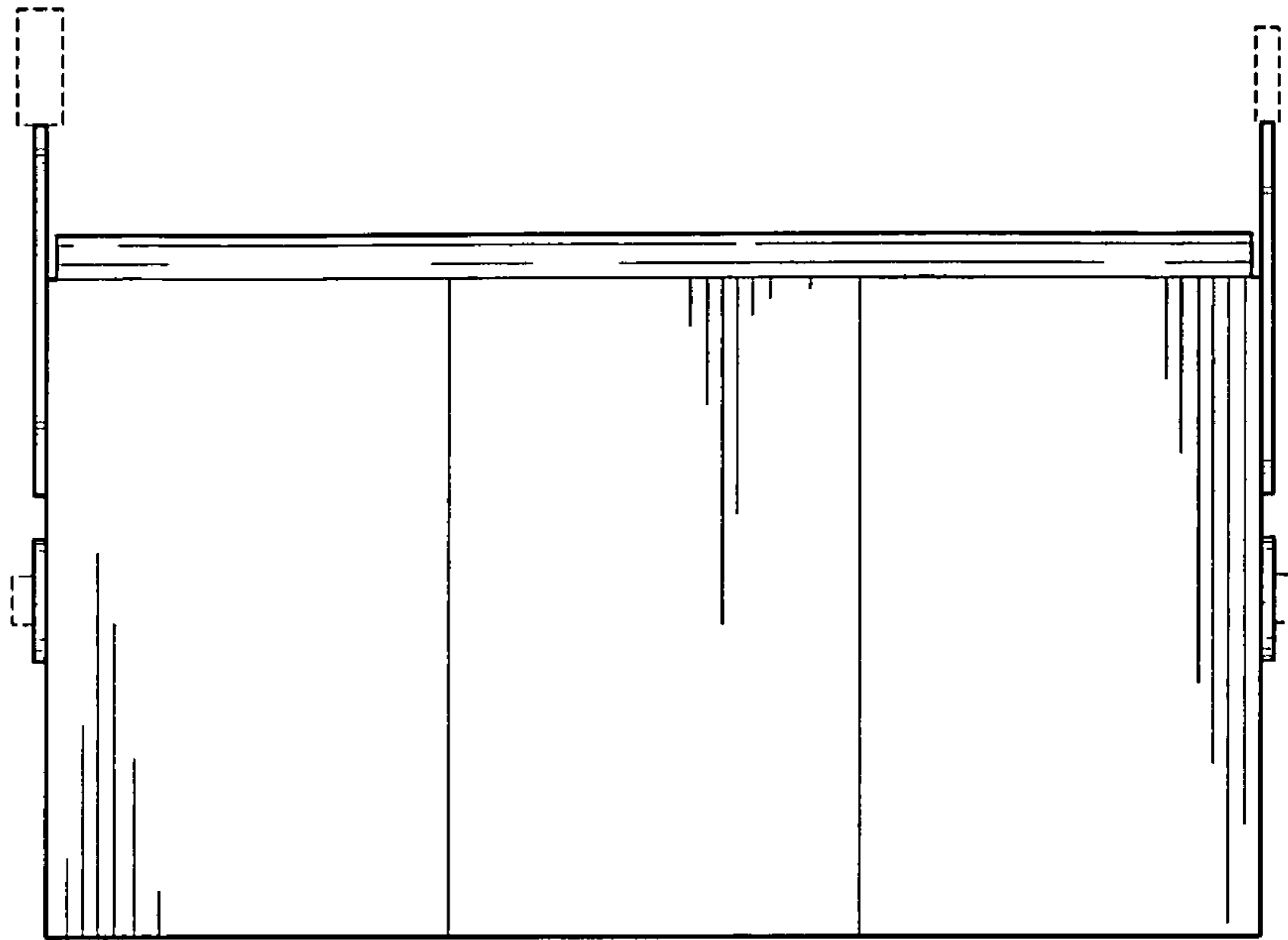


Fig. 5

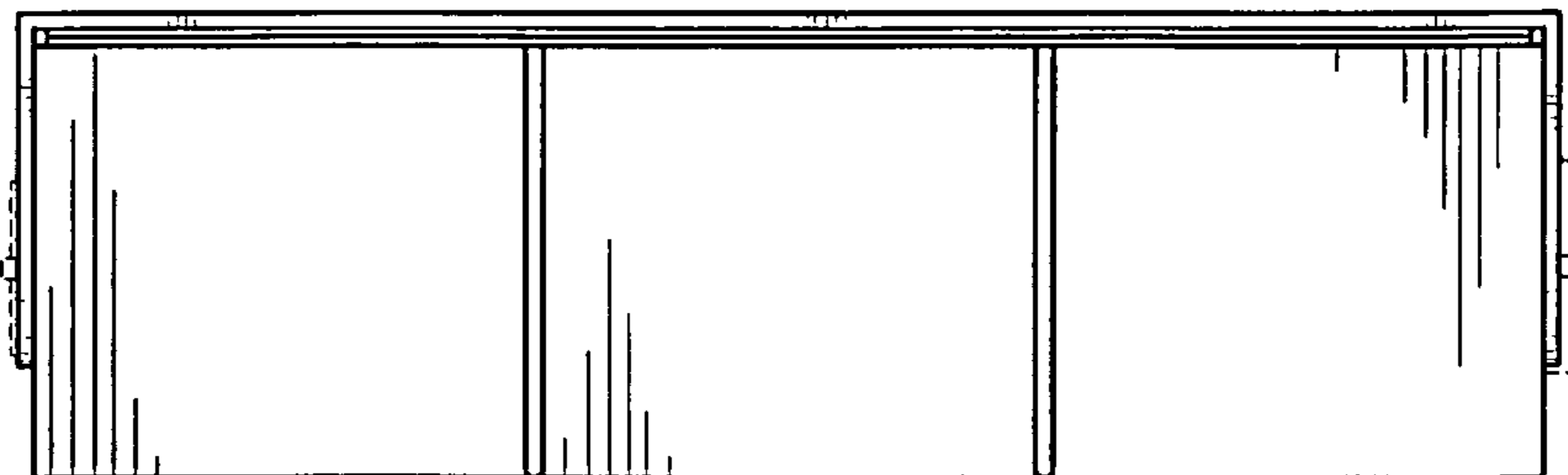


Fig. 6