



US00D735989S

(12) **United States Design Patent**
Crabtree

(10) **Patent No.:** **US D735,989 S**

(45) **Date of Patent:** **** Aug. 11, 2015**

- (54) **WALLET**
- (71) Applicant: **Crabby Gear, LLC**, Ogden, UT (US)
- (72) Inventor: **Ryan Crabtree**, Ogden, UT (US)
- (73) Assignee: **Crabby Gear, LLC**, Ogden, UT (US)
- (**) Term: **14 Years**
- (21) Appl. No.: **29/496,424**
- (22) Filed: **Jul. 11, 2014**

D647,303	S	*	10/2011	Mish et al.	D3/294
D668,874	S	*	10/2012	Robinson et al.	D3/293
8,381,360	B2		2/2013	Preston-Hall		
D690,931	S		10/2013	Minn et al.		
D696,015	S	*	12/2013	Daniel	D3/249
2005/0205435	A1		9/2005	Loy		
2006/0243364	A1		11/2006	Bridgefarmer		
2010/0065171	A1*		3/2010	Uzelac	150/149
2011/0048594	A1		3/2011	Arnone		
2013/0045775	A1*		2/2013	Heywood	455/557

OTHER PUBLICATIONS

Plagiats ! (wallet with logo Remi). Blog [online] Posted [May 7, 2013]. Meloncollie, 2014 [retrieved on Apr. 30, 2014]. Retrieved from the Internet: <URL: www.meloncollie.fr/?p=2766>.

(Continued)

Primary Examiner — Holly Baynham

(74) *Attorney, Agent, or Firm* — Patent Law Works LLP

Related U.S. Application Data

- (63) Continuation-in-part of application No. 29/457,185, filed on Jun. 7, 2013, now Pat. No. Des. 714,050.
- (51) **LOC (10) Cl.** **03-01**
- (52) **U.S. Cl.**
USPC **D3/247**
- (58) **Field of Classification Search**
USPC D3/247, 249–253
CPC A45C 1/08; A45C 3/08; A45C 11/18;
A45C 11/182
See application file for complete search history.

(57) **CLAIM**

The ornamental design for a wallet, as shown and described.

DESCRIPTION

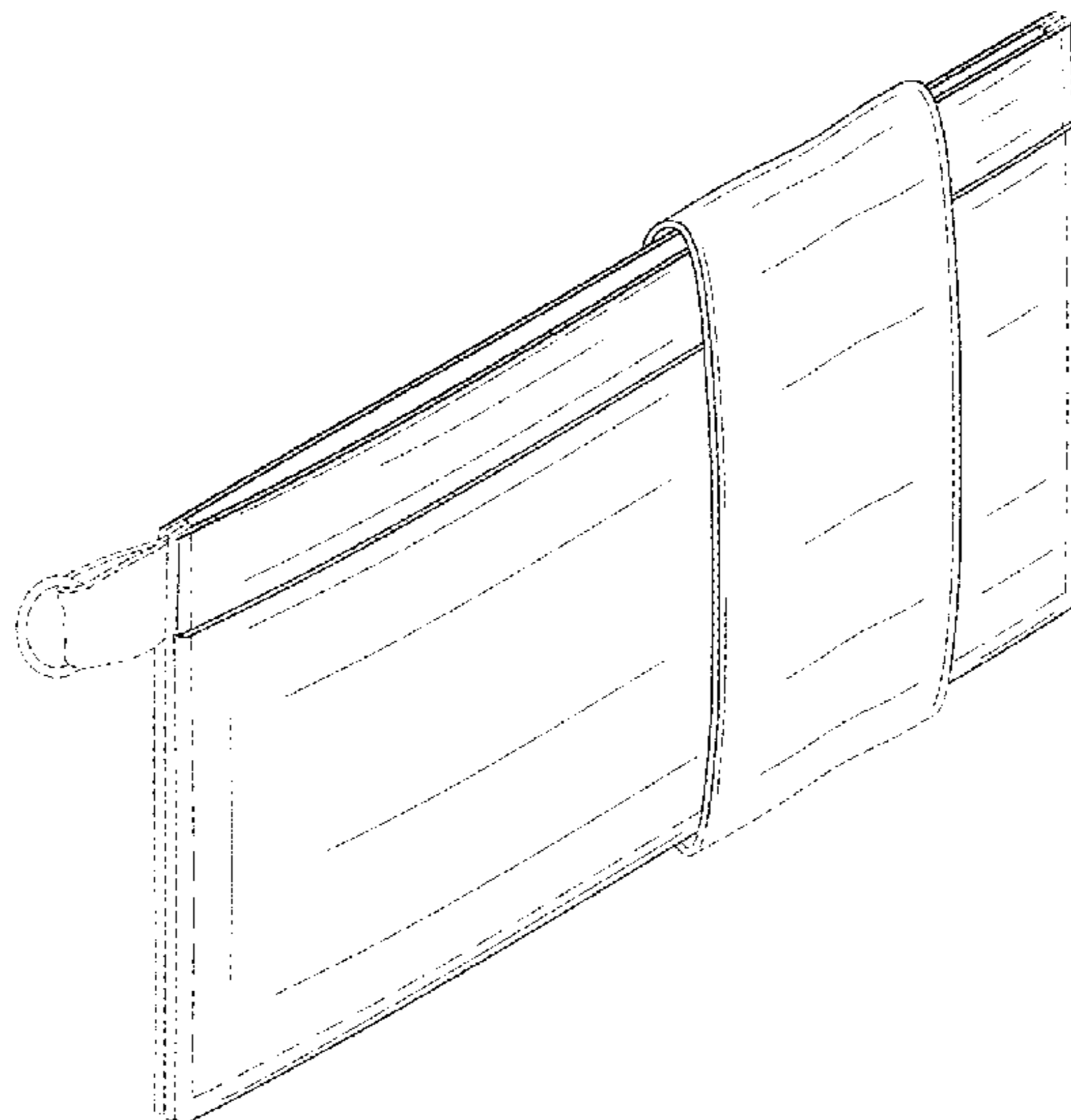
FIG. 1 is a top and front perspective view of the wallet showing my new design;
 FIG. 2 is bottom and rear perspective view thereof;
 FIG. 3 is a front elevational view thereof;
 FIG. 4 is a rear elevational view thereof;
 FIG. 5 is a top plan view thereof;
 FIG. 6 is a bottom plan view thereof;
 FIG. 7 is a left side elevational view thereof;
 FIG. 8 is a right side elevational view thereof; and,
 FIG. 9 is a front perspective view of the wallet in use.
 The smaller broken lines showing a tab and the bottom surface of the wallet are for the purposes of illustrating environment. The wider spaced broken lines represent stitching and are part of the claimed design.

(56) **References Cited**

U.S. PATENT DOCUMENTS

1,761,809	A	*	6/1930	Ancla	24/17 R
D384,499	S	*	10/1997	Gaestel	D3/247
5,944,080	A		8/1999	Podwika		
D417,397	S	*	12/1999	Forecast et al.	D9/453
D509,955	S		9/2005	Williams		
D527,898	S	*	9/2006	Tavone	D3/247
D575,569	S		8/2008	Martinetti		
D585,643	S		2/2009	Preston-Hall		
7,604,028	B2*		10/2009	Bridgefarmer	150/147
7,609,512	B2*		10/2009	Richardson et al.	361/679.41
7,971,324	B2		7/2011	Preston-Hall		
D645,663	S	*	9/2011	Henley et al.	D3/294

1 Claim, 4 Drawing Sheets



(56)

References Cited

OTHER PUBLICATIONS

The Crabby Wallet: A wallet that is not for everyone . . . , Blog [online}. Posted [Mar. 27, 2013]. Kickstarter, 2014 [retrieved on Apr.

30, 2014]. Retrieved from the Internet: <URL: <https://www.kickstarter.com/projects/1369622196/the-crabby-wallet-a-wallet-that-is-not-for-everyon>>.

* cited by examiner

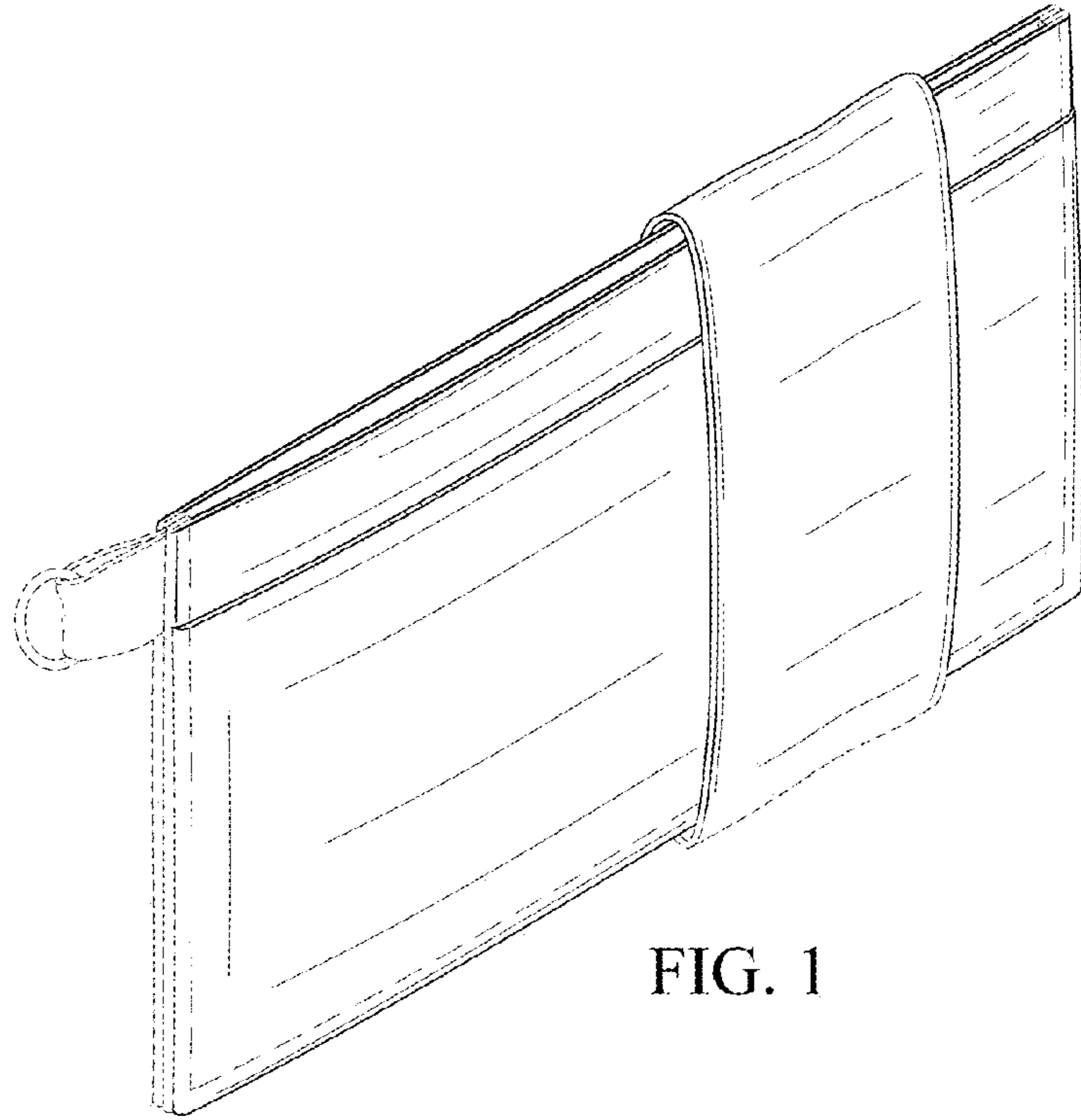


FIG. 1

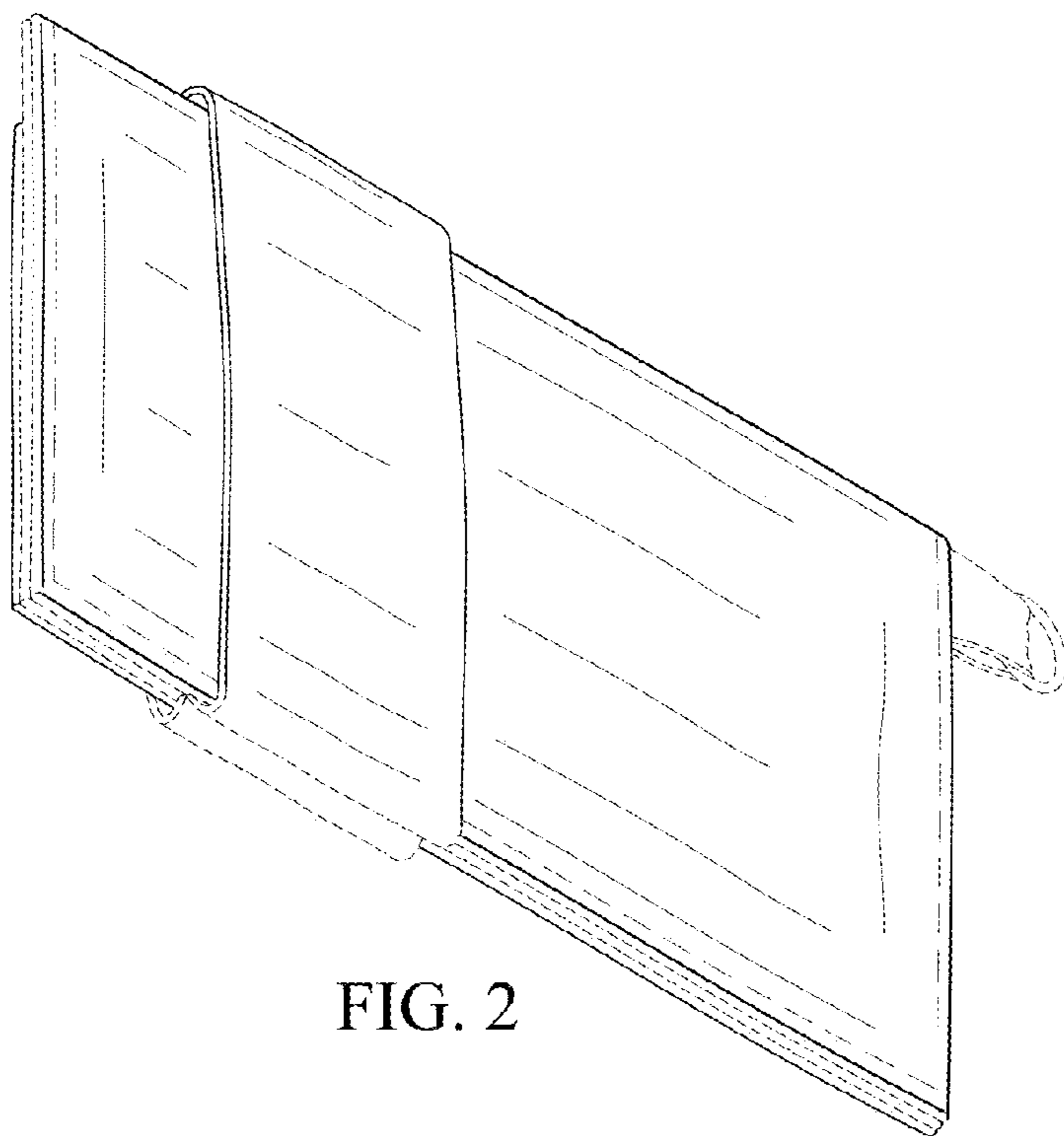


FIG. 2

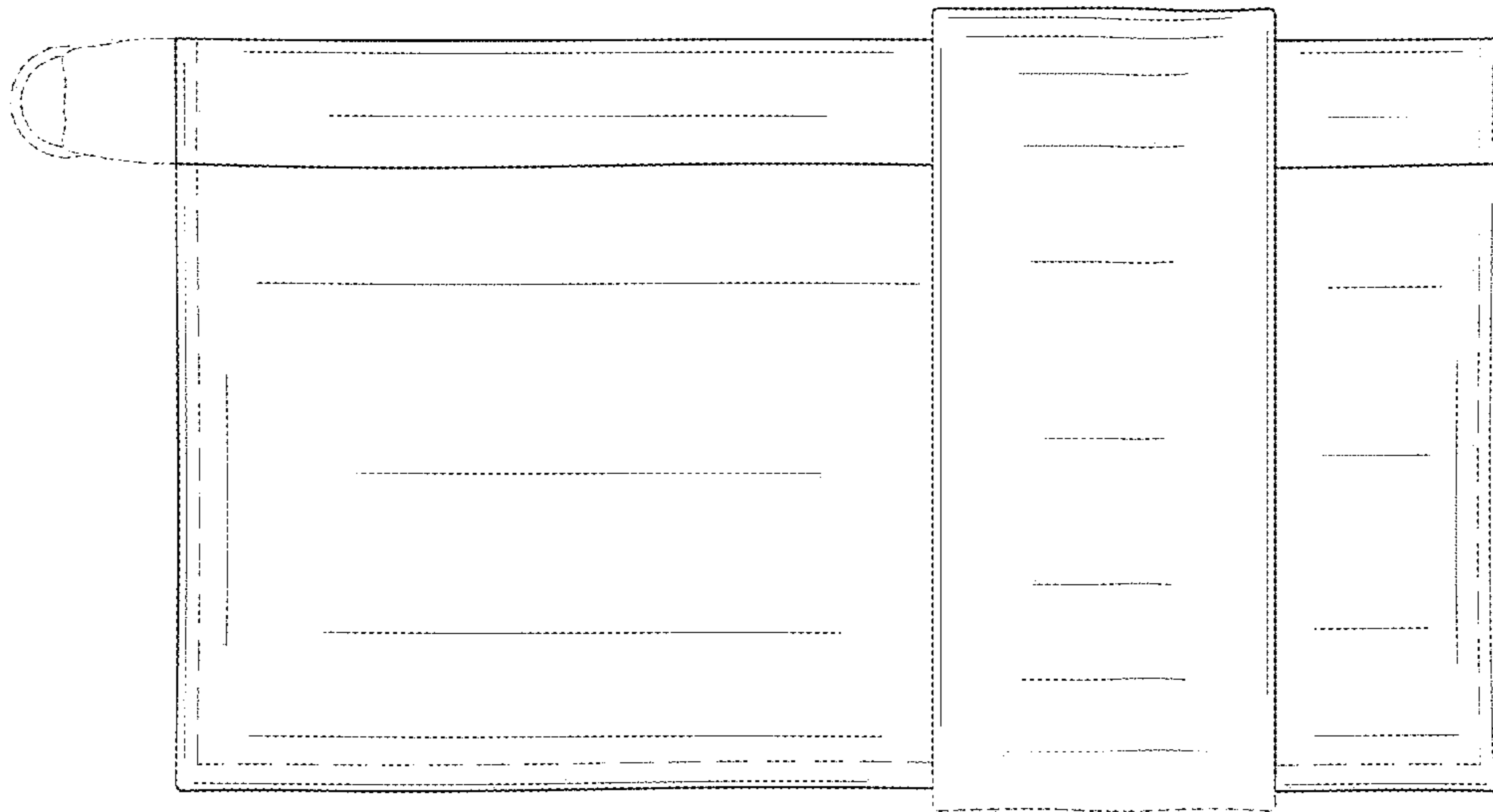


FIG. 3

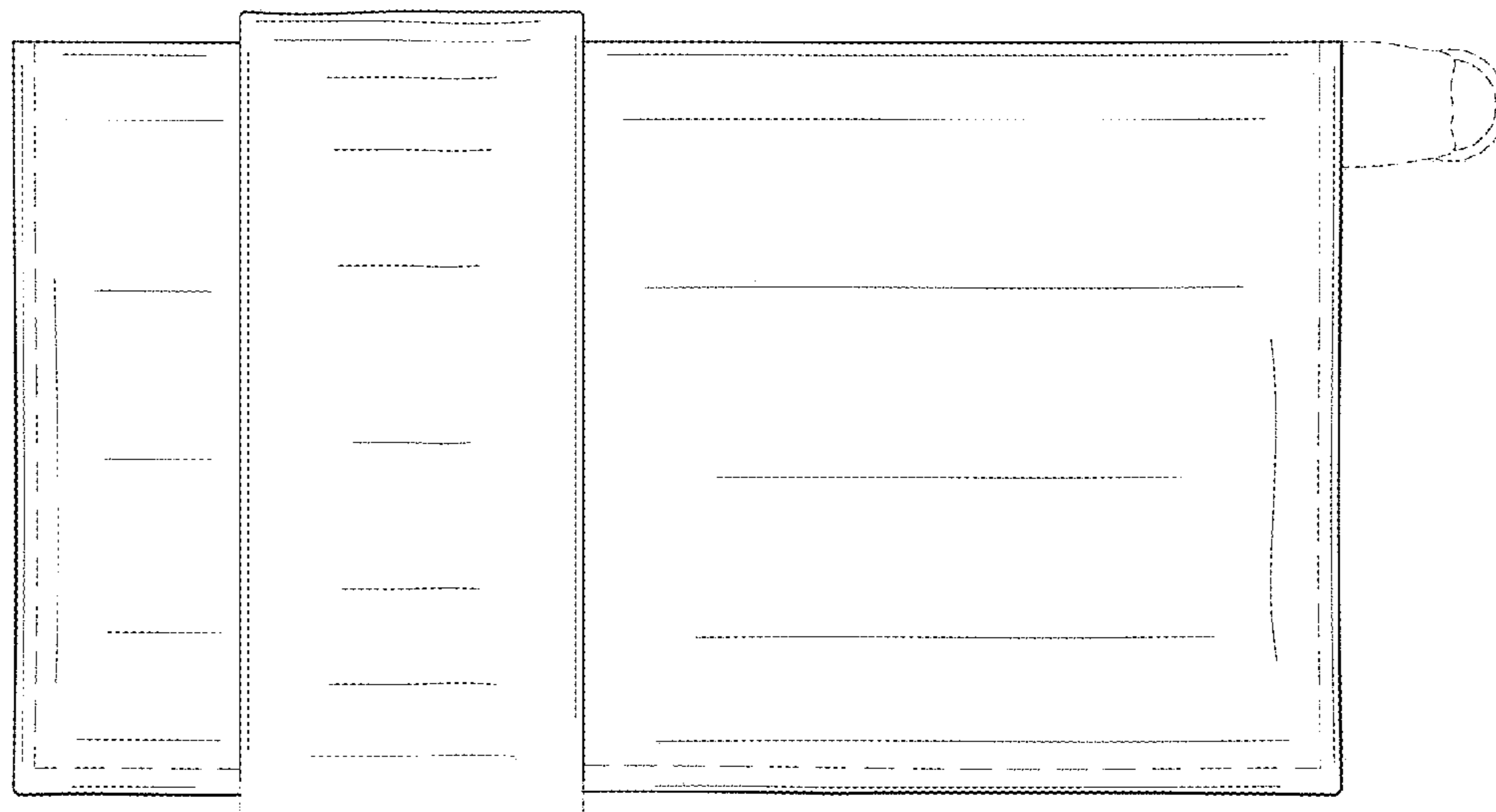


FIG. 4

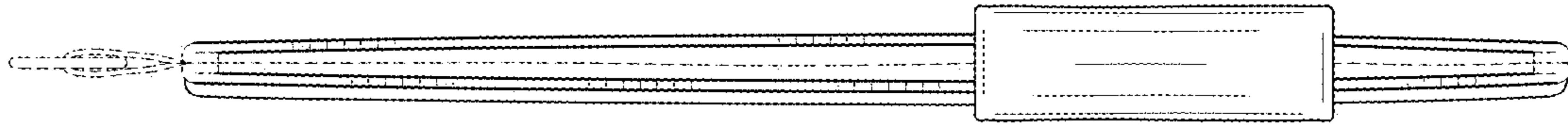


FIG. 5

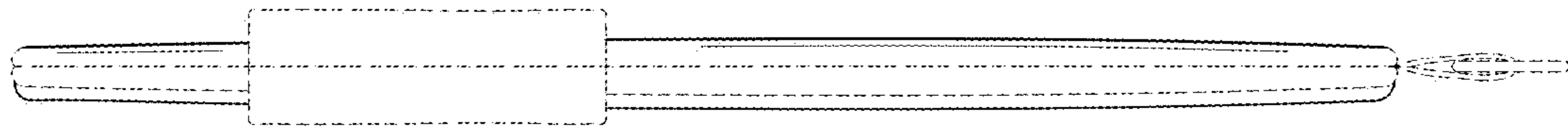


FIG. 6



FIG. 7

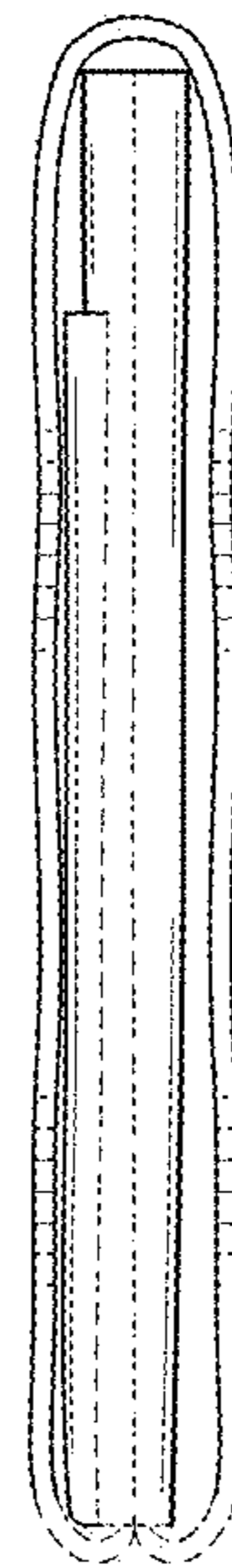


FIG. 8

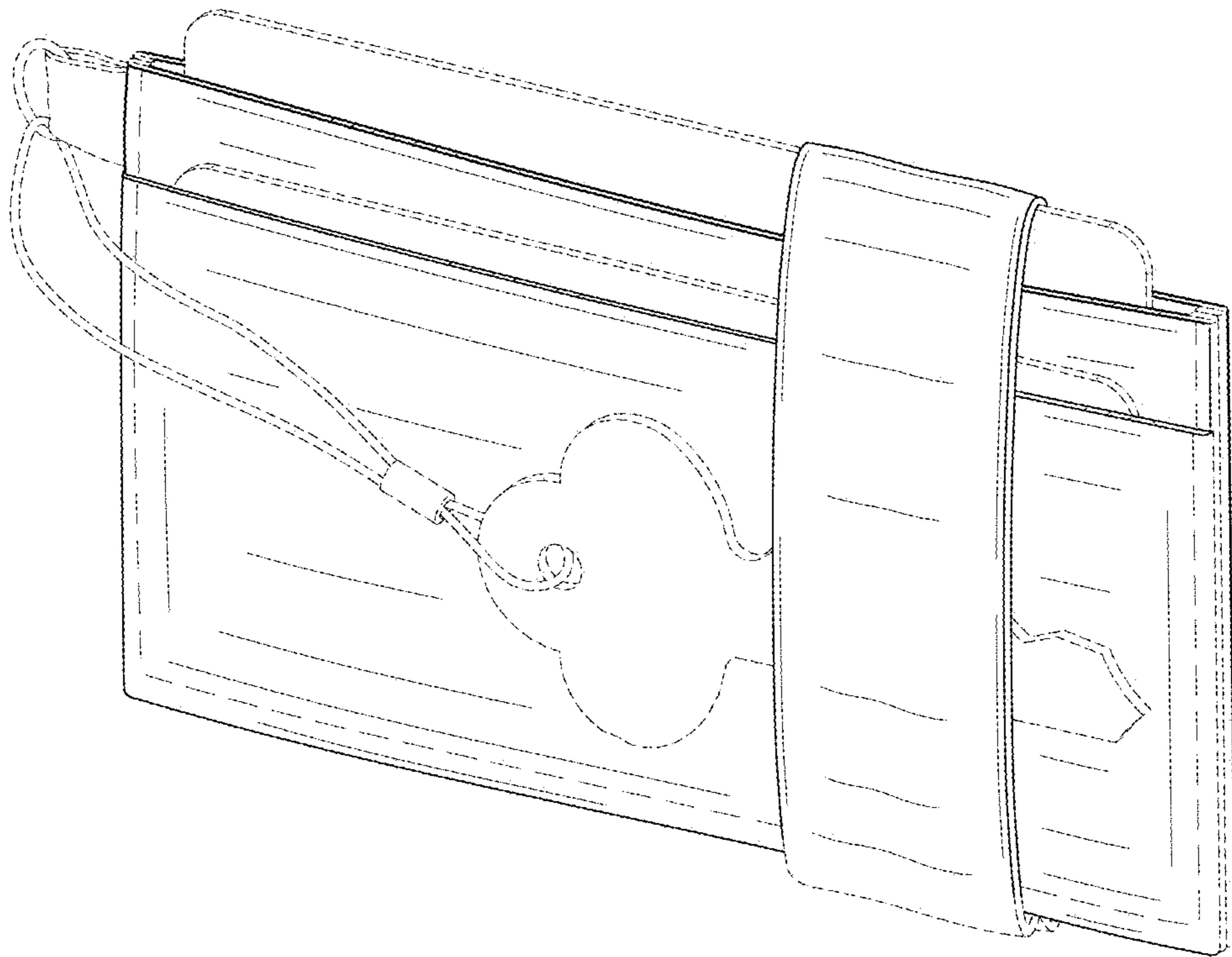


FIG. 9