



US00D735983S

(12) **United States Design Patent**
Cietto

(10) **Patent No.:** **US D735,983 S**

(45) **Date of Patent:** **** Aug. 11, 2015**

(54) **FOOTWEAR SOLE**

(71) Applicant: **CROCS, INC.**, Niwot, CO (US)

(72) Inventor: **Armando Cietto**, Montebelluna (IT)

(73) Assignee: **Crocs, Inc.**, Niwot, CO (US)

(**) Term: **14 Years**

(21) Appl. No.: **29/472,443**

(22) Filed: **Nov. 12, 2013**

(51) **LOC (10) Cl.** **02-04**

(52) **U.S. Cl.**

USPC **D2/960**; D2/951; D2/957

(58) **Field of Classification Search**

USPC D2/902, 906, 908, 916, 918, 925,
D2/946-962, 977; 36/3 B, 22 R, 24.5, 25 R,
36/28, 32 R, 34 R, 59 C, 67 A, 103

See application file for complete search history.

(56) **References Cited**

U.S. PATENT DOCUMENTS

D120,317	S	*	4/1940	Reeves	D2/957
2,321,088	A		6/1943	Johnson		
2,930,149	A	*	3/1960	Hack et al.	36/28
D368,796	S	*	4/1996	Fabio	D2/960
D428,688	S	*	8/2000	Egelja et al.	D2/957
D433,790	S	*	11/2000	Oliver	D2/957
D439,032	S	*	3/2001	Kung	D2/960
D470,297	S	*	2/2003	Wilson	D2/960
D487,840	S	*	3/2004	Hillyer	D2/960
D490,225	S		5/2004	McClaskie		
D501,708	S	*	2/2005	Andrews-Kramer	D2/960
D504,205	S	*	4/2005	Andrews-Kramer	D2/960
D507,696	S	*	7/2005	Robbins et al.	D2/960
D524,018	S	*	7/2006	Deas	D2/960
D569,595	S	*	5/2008	Le	D2/960
D575,499	S	*	8/2008	Seamans	D2/972

D597,733	S	*	8/2009	Griffin	D2/906
D599,535	S	*	9/2009	Del Biondi et al.	D2/916
D606,290	S	*	12/2009	del Biondi et al.	D2/926
D627,144	S	*	11/2010	Bettencourt	D2/951
D630,423	S	*	1/2011	Asquini	D2/956
D667,619	S		9/2012	Blakeslee		
D672,543	S	*	12/2012	Williams, Jr.	D2/960
D680,726	S	*	4/2013	Propet	D2/960
D690,917	S	*	10/2013	Spring	D2/953
D699,027	S	*	2/2014	Teteriatnikov	D2/957
8,671,592	B2	*	3/2014	Dojan	36/59 C
8,752,310	B1	*	6/2014	Smith, III	36/137
D710,078	S	*	8/2014	Joseph	D2/957
2008/0209767	A1	*	9/2008	Seamans	36/103
2008/0229623	A1	*	9/2008	Ferretti	36/3 B
2013/0104418	A1	*	5/2013	Ferniani et al.	36/11.5

* cited by examiner

Primary Examiner — T. Chase Nelson

(74) *Attorney, Agent, or Firm* — Wilmer Cutler Pickering Hale and Dorr LLP

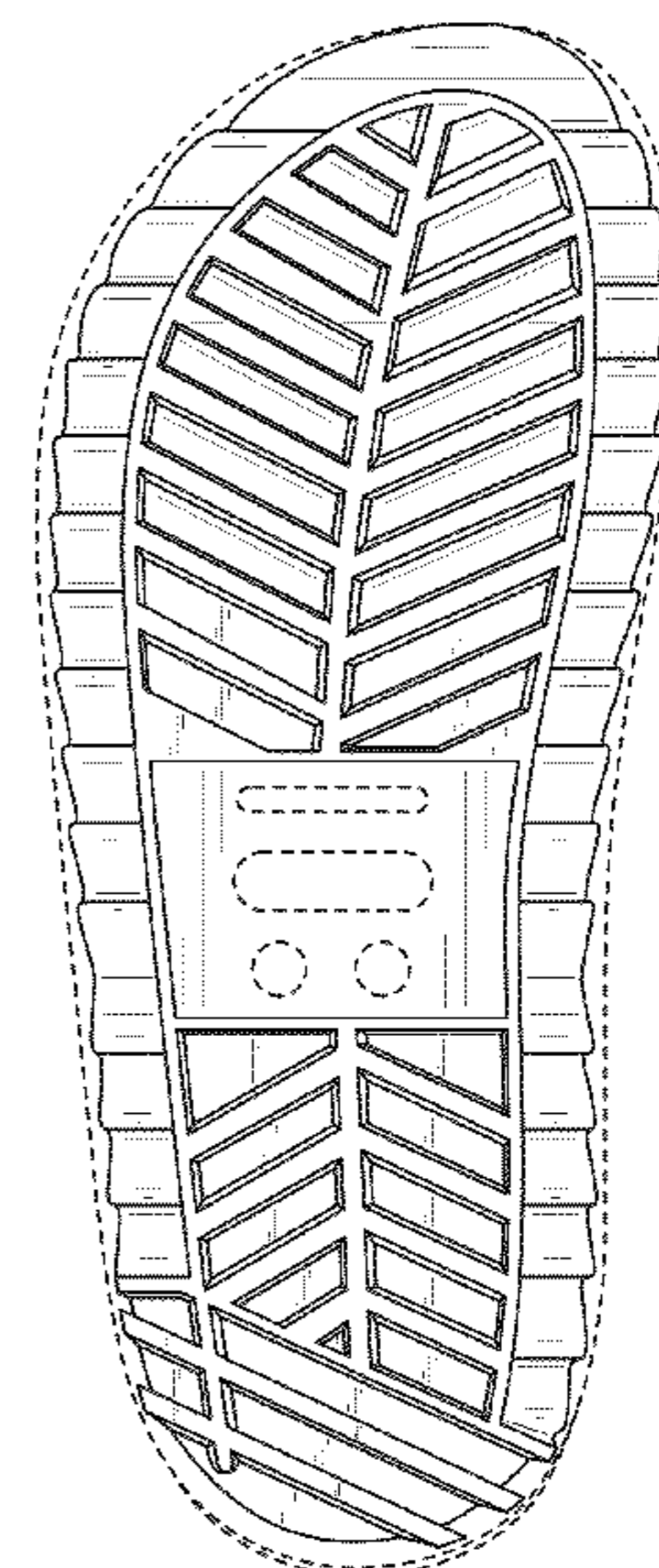
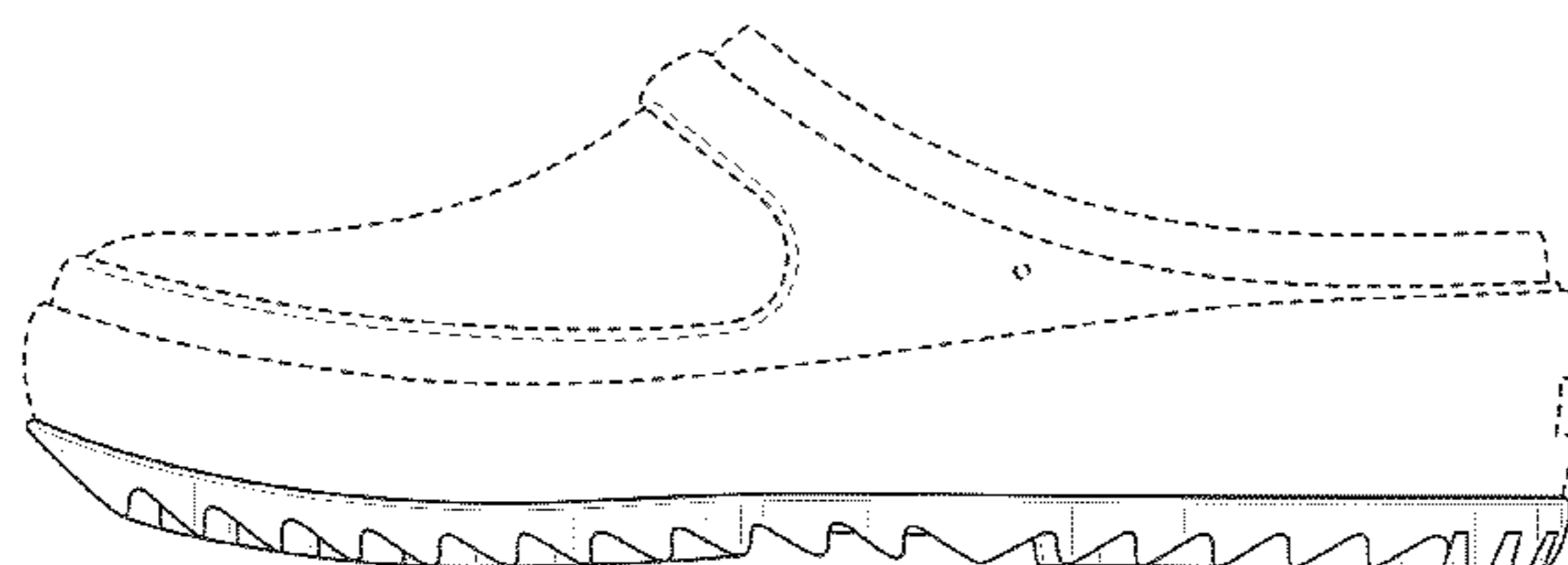
(57) **CLAIM**

The ornamental design for footwear sole, as shown and described.

DESCRIPTION

FIG. 1 is a front perspective view of footwear sole;
FIG. 2 is a front view thereof;
FIG. 3 is a back view thereof;
FIG. 4 is an outer side view thereof;
FIG. 5 is an inner side view thereof;
FIG. 6 is a top view thereof;
FIG. 7 is a bottom view thereof; and,
FIG. 8 is a bottom perspective view thereof.
The broken lines depict unclaimed portions of the footwear sole as well as environmental structure in the form of footwear that forms no part of the claimed design.

1 Claim, 8 Drawing Sheets



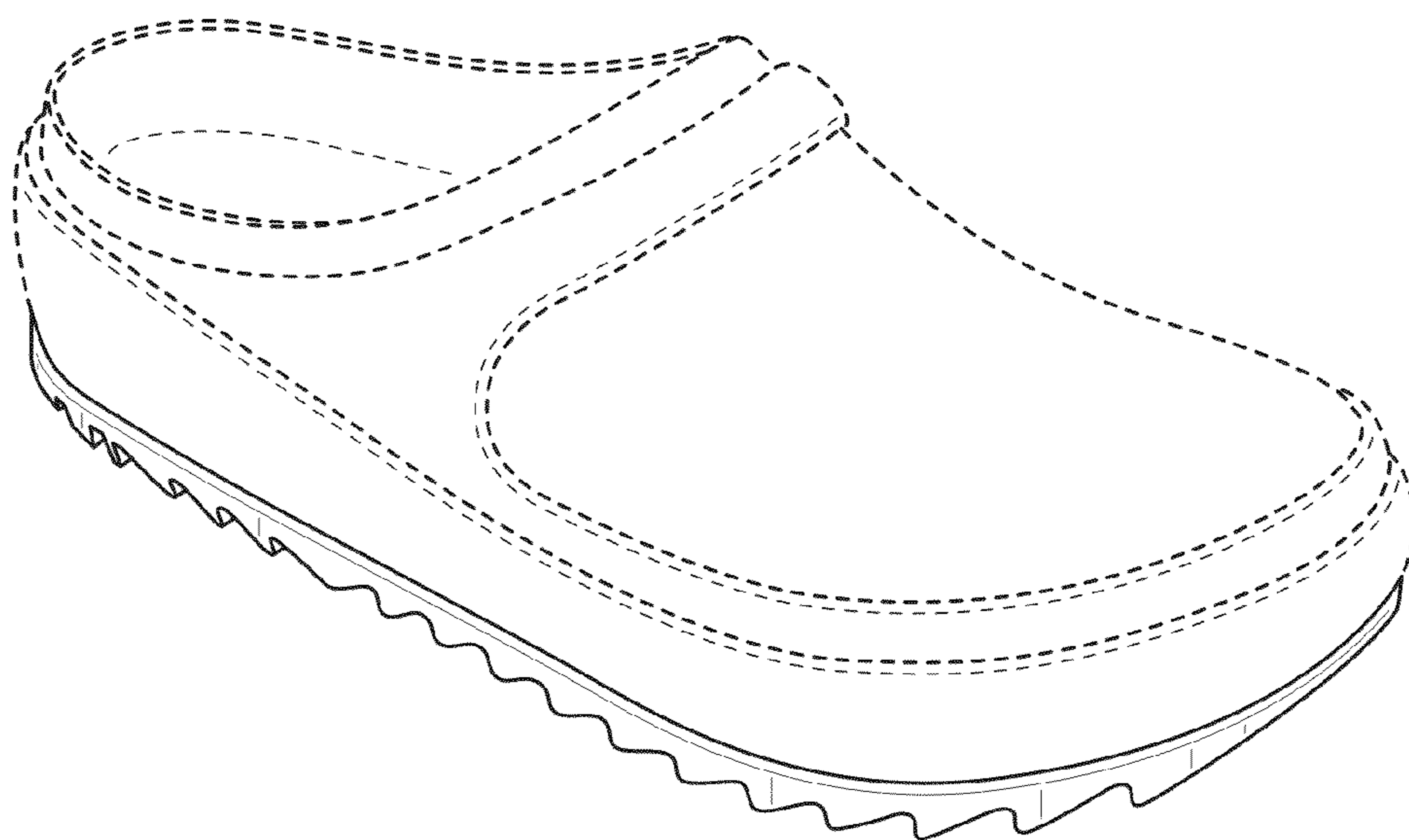


FIG. 1

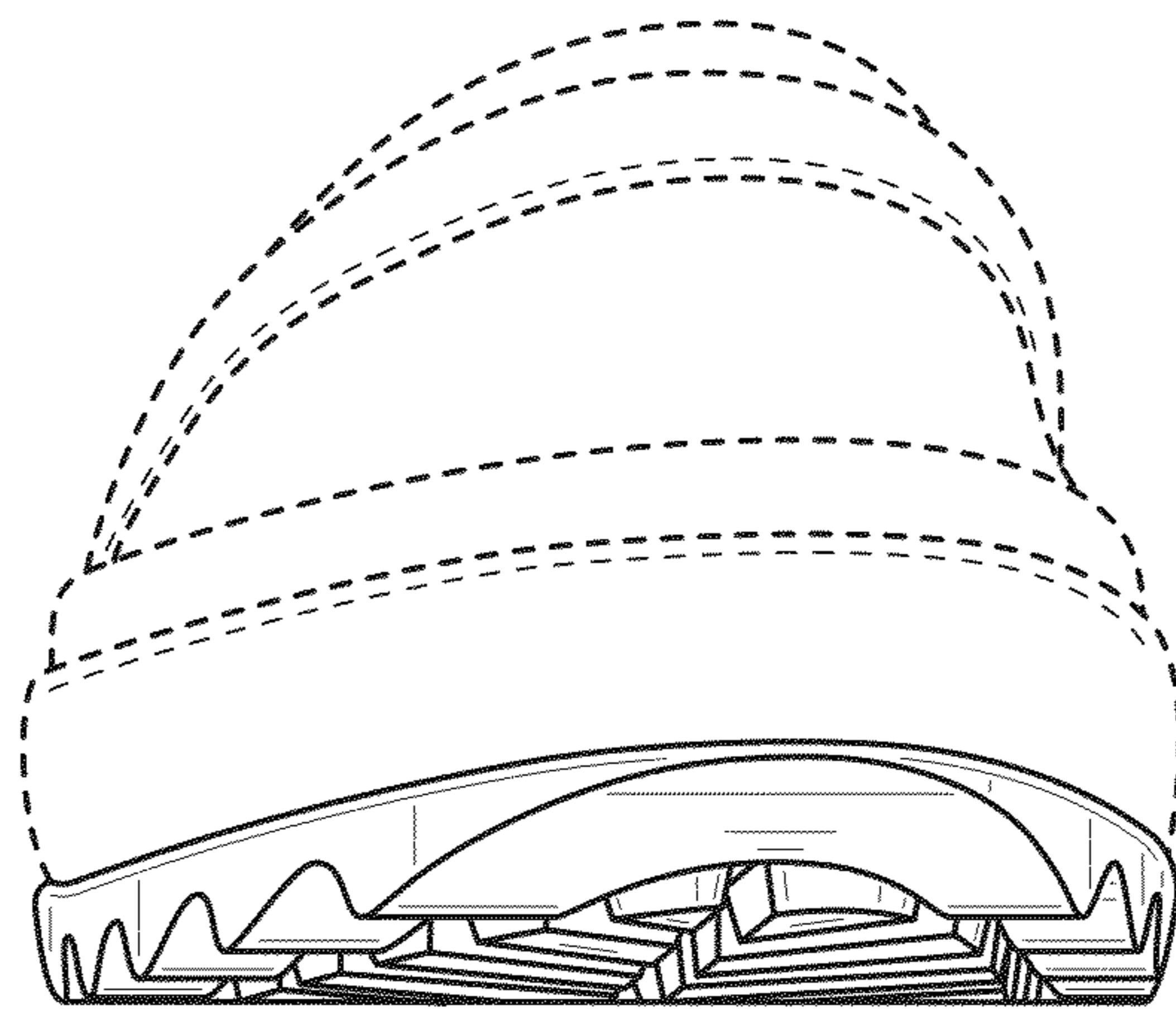


FIG. 2

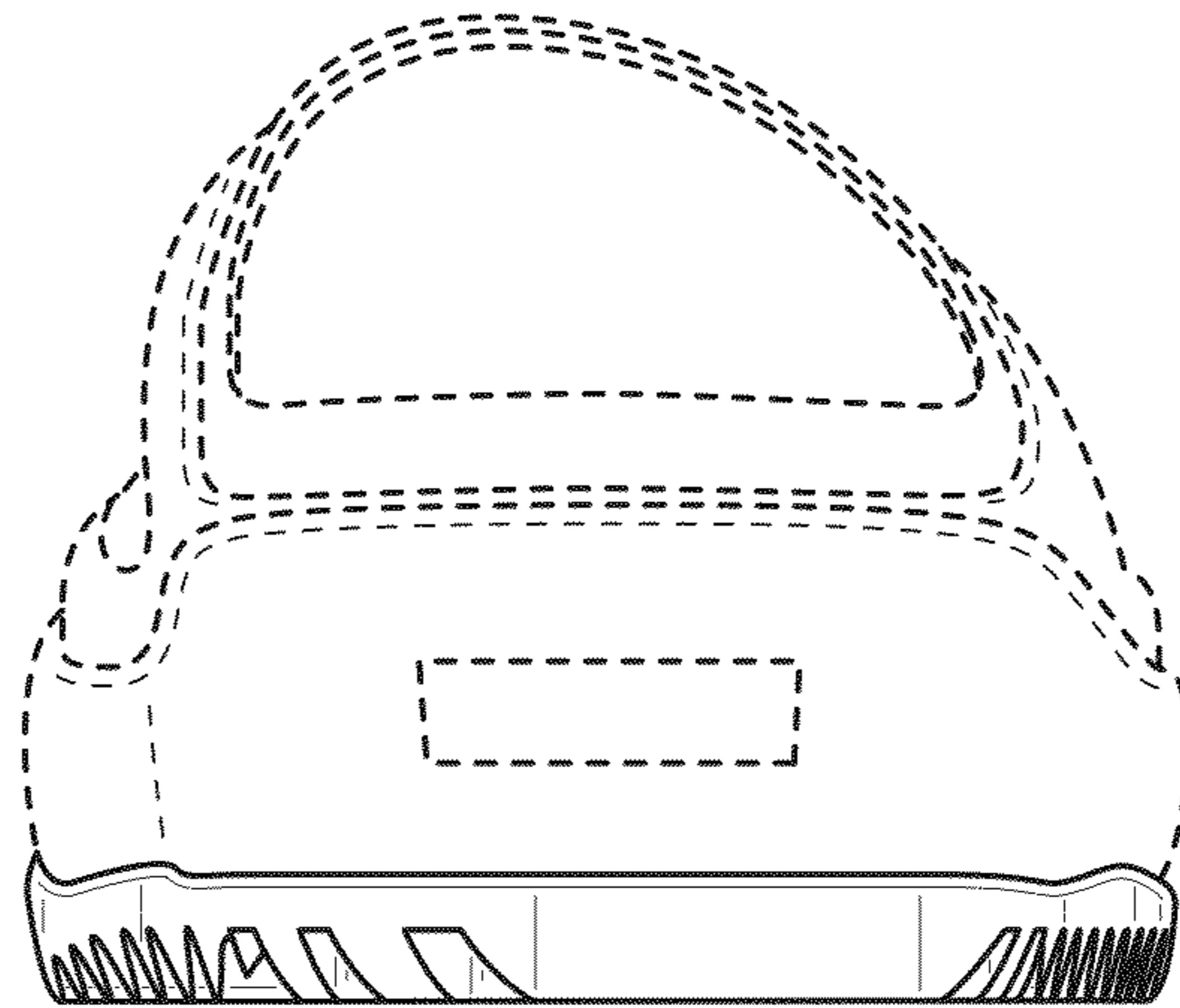


FIG. 3

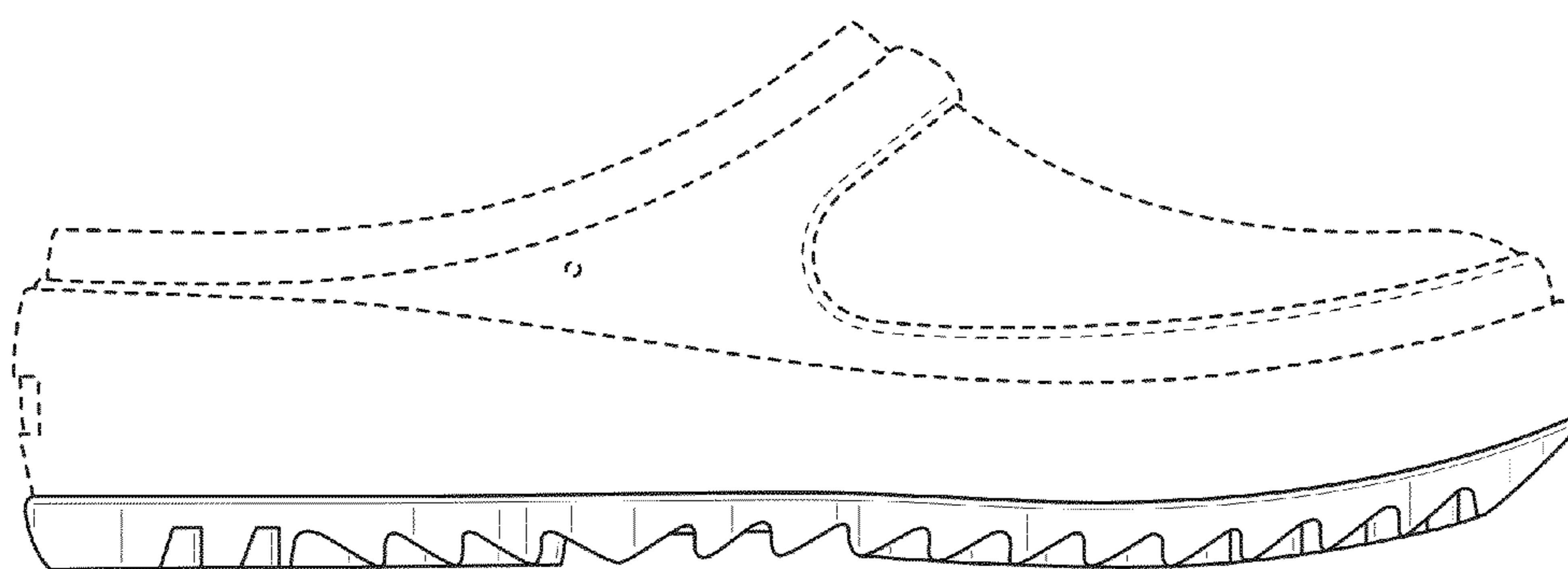


FIG. 4

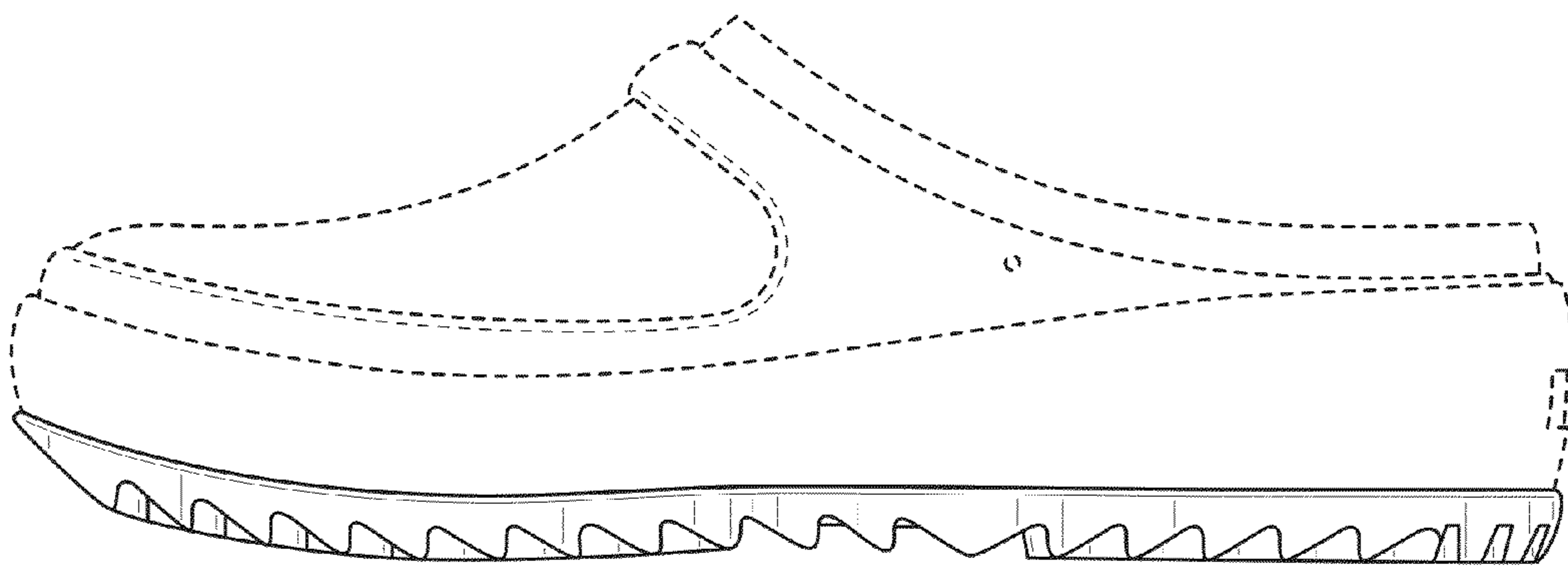


FIG. 5

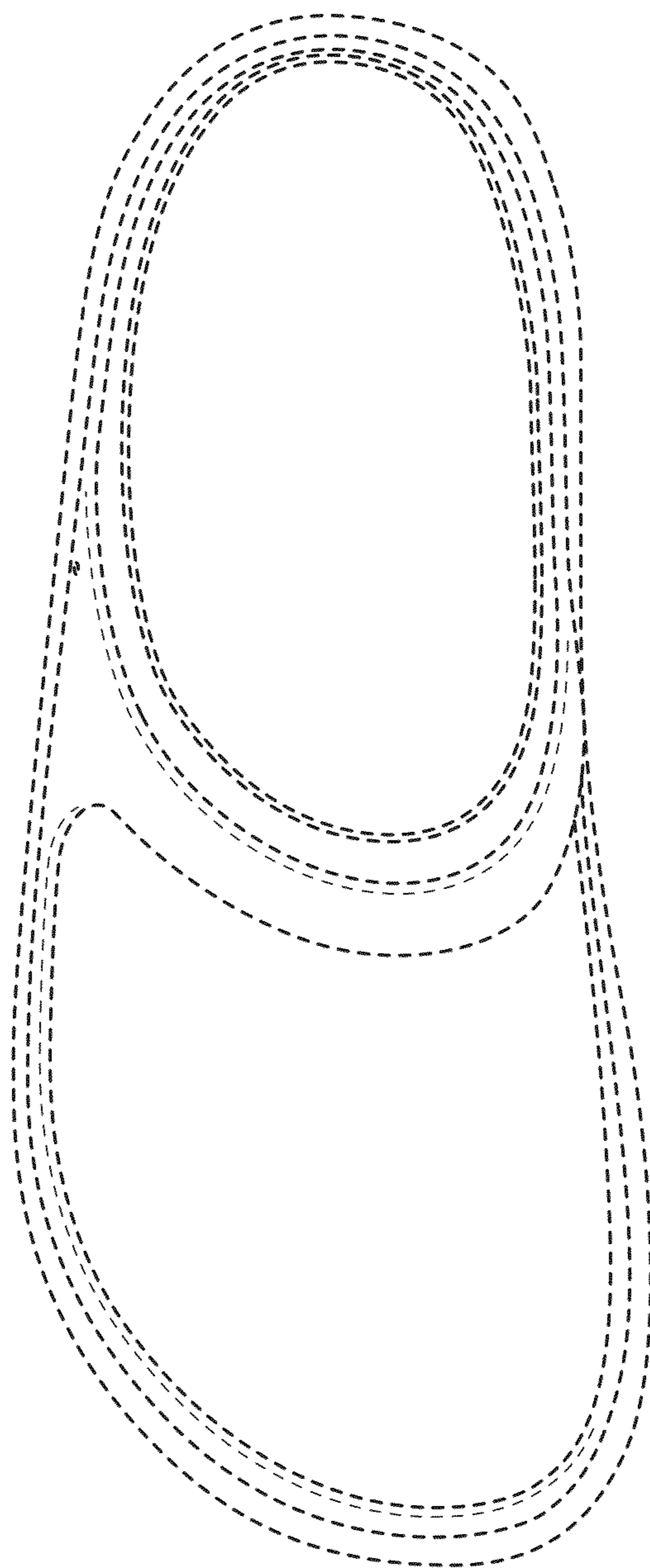


FIG. 6

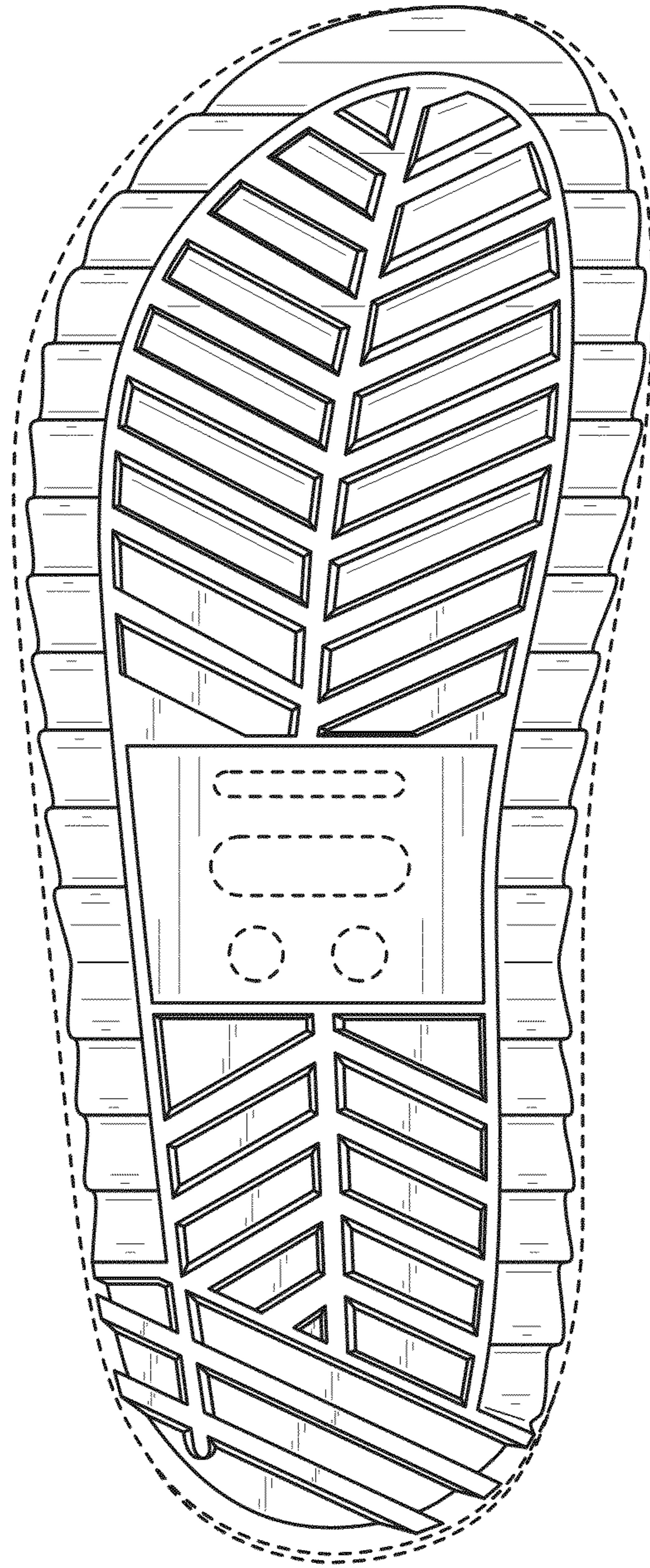


FIG. 7

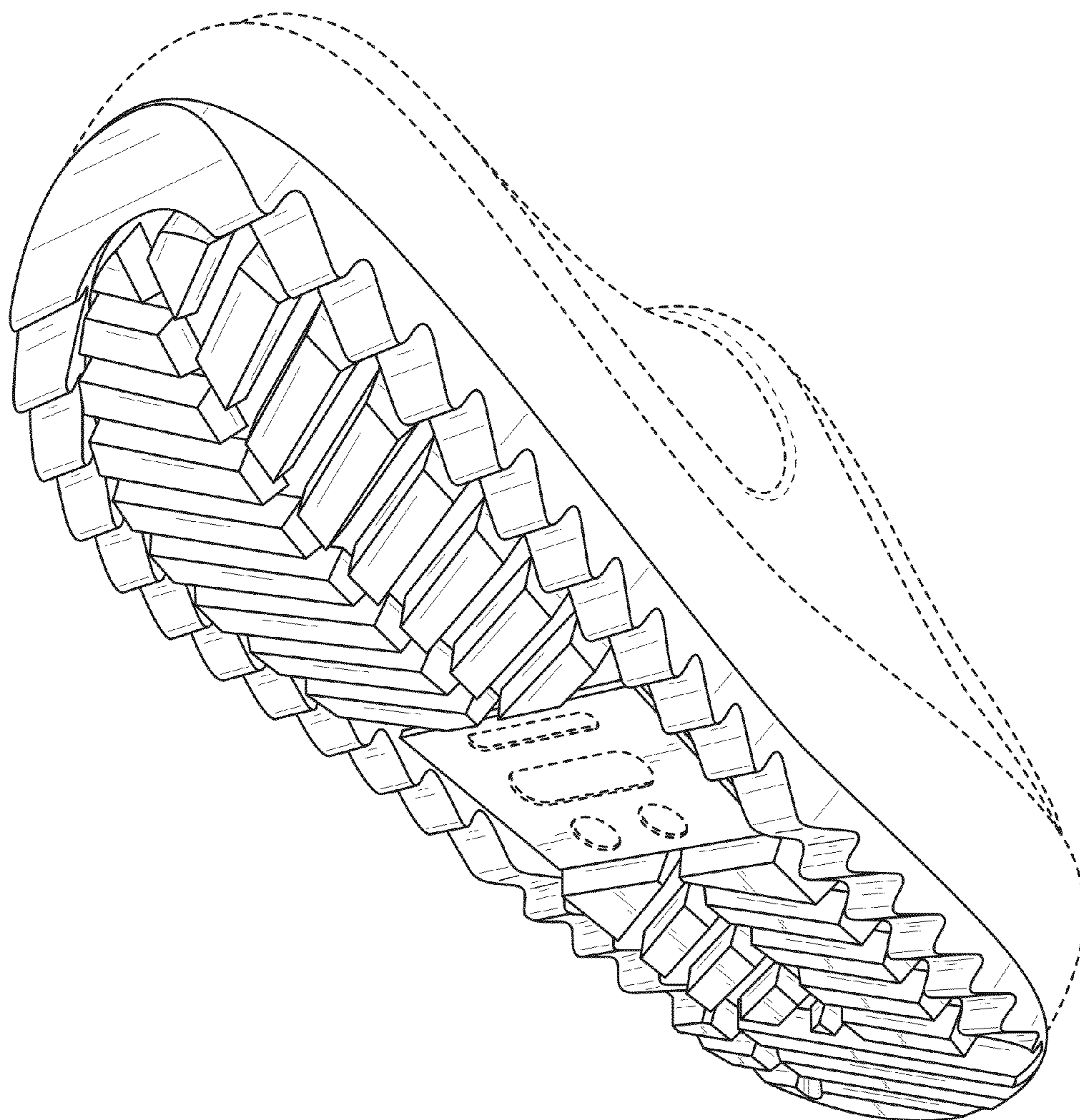


FIG. 8