



US00D735976S

(12) **United States Design Patent**  
**Siegel**

(10) **Patent No.:** **US D735,976 S**

(45) **Date of Patent:** **\*\* Aug. 11, 2015**

(54) **SHOE**

(71) Applicant: **Christoph Siegel**, Freienbach (CH)

(72) Inventor: **Christoph Siegel**, Freienbach (CH)

(\*\*) Term: **14 Years**

(21) Appl. No.: **29/483,935**

(22) Filed: **Mar. 4, 2014**

(51) **LOC (10) Cl.** ..... **02-04**

(52) **U.S. Cl.**

USPC ..... **D2/908**; D2/954

(58) **Field of Classification Search**

USPC ..... D2/896, 902, 905, 906, 907, 908,  
D2/909–912, 943, 944, 945, 946, 947, 951,  
D2/954, 955, 956, 969, 972, 977; 36/83,  
36/113, 114, 115, 126, 127, 128, 129, 130,  
36/131, 3 A, 25 R, 30 R, 32 R, 45, 57

CPC ..... A43B 5/00; A43B 5/001; A43B 5/002;  
A43B 5/003; A43B 5/006; A43B 5/007;  
A43B 5/008; A43B 5/02; A43B 5/025;  
A43B 5/06; A43B 5/08; A43B 5/10; A43B  
5/14; A43B 5/145; A43B 5/18; A43B 13/00;  
A43B 13/04; A43B 13/14

See application file for complete search history.

(56) **References Cited**

**U.S. PATENT DOCUMENTS**

D123,480 S *	11/1940	Hubbard	.....	D2/944
D200,846 S *	4/1965	Bovay	.....	D2/908
D257,074 S *	9/1980	Gucci	.....	D2/908
D266,285 S *	9/1982	Vermonet	.....	D2/908
D272,963 S *	3/1984	Muller et al.	.....	D2/908
D281,829 S *	12/1985	Radford	.....	D2/908
4,584,783 A *	4/1986	Dobbin	.....	36/50.1
D301,386 S *	6/1989	Weiner	.....	D2/908
D449,426 S *	10/2001	Pollastrelli	.....	D2/908

D452,362 S *	12/2001	Mastroianni et al.	.....	D2/908
D620,689 S *	8/2010	Weber	.....	D2/902
D628,777 S *	12/2010	Bourdin et al.	.....	D2/908
D629,185 S *	12/2010	Vico et al.	.....	D2/908
D636,156 S *	4/2011	Della Valle et al.	.....	D2/907
D637,799 S *	5/2011	Della Valle et al.	.....	D2/908
D680,712 S *	4/2013	Della Valle et al.	.....	D2/908
D681,315 S *	5/2013	Della Valle et al.	.....	D2/908
D681,317 S *	5/2013	Della Valle et al.	.....	D2/908
D682,515 S *	5/2013	Della Valle et al.	.....	D2/908
D689,673 S *	9/2013	Kampff	.....	D2/944
D689,674 S *	9/2013	Kampff	.....	D2/944
D700,419 S *	3/2014	Della Valle et al.	.....	D2/908
D701,023 S *	3/2014	Della Valle et al.	.....	D2/908
D701,373 S *	3/2014	Della Valle et al.	.....	D2/908
D702,026 S *	4/2014	Della Valle et al.	.....	D2/908
D719,326 S *	12/2014	Marchal	.....	D2/944
D723,257 S *	3/2015	Bacon	.....	D2/969
D723,258 S *	3/2015	Weddle	.....	D2/969
2010/0275470 A1 *	11/2010	Hoffer et al.	.....	36/3 R
2011/0072687 A1 *	3/2011	Bobbett et al.	.....	36/127

\* cited by examiner

*Primary Examiner* — Elizabeth J Oswecki

(74) *Attorney, Agent, or Firm* — Knobbe, Martens, Olson & Bear LLP

(57) **CLAIM**

The ornamental design for a shoe, as shown and described.

**DESCRIPTION**

FIG. 1 is a side view of a shoe showing my new design;

FIG. 2 is an opposite side view thereof;

FIG. 3 is a top view thereof;

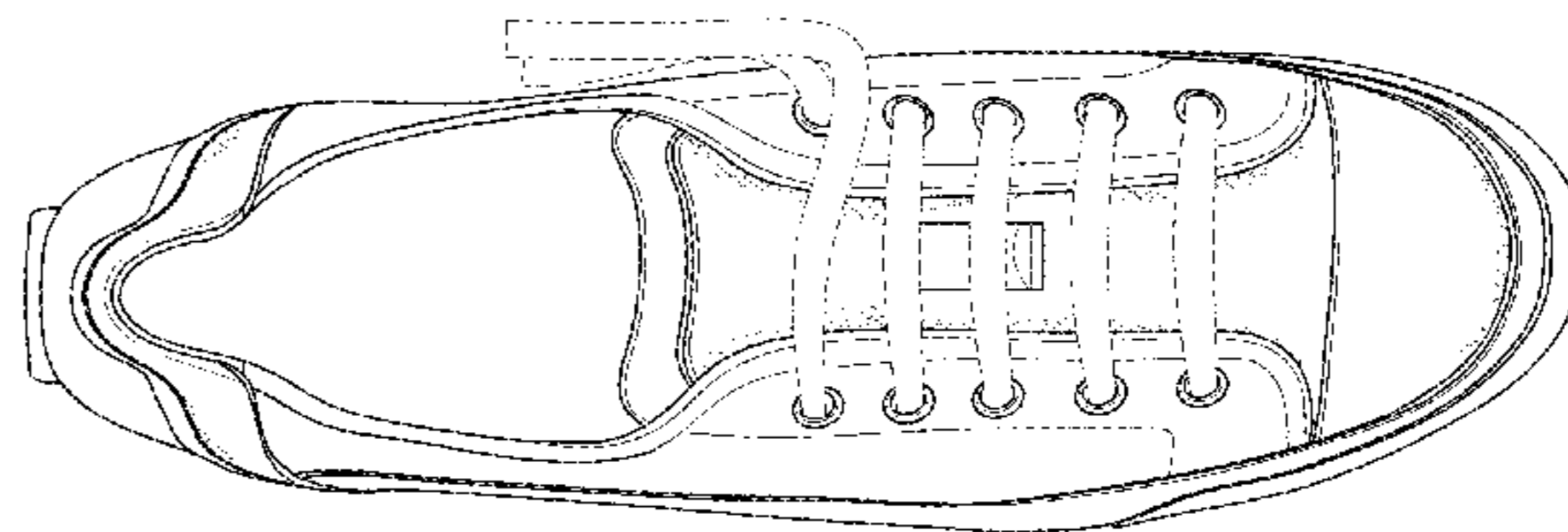
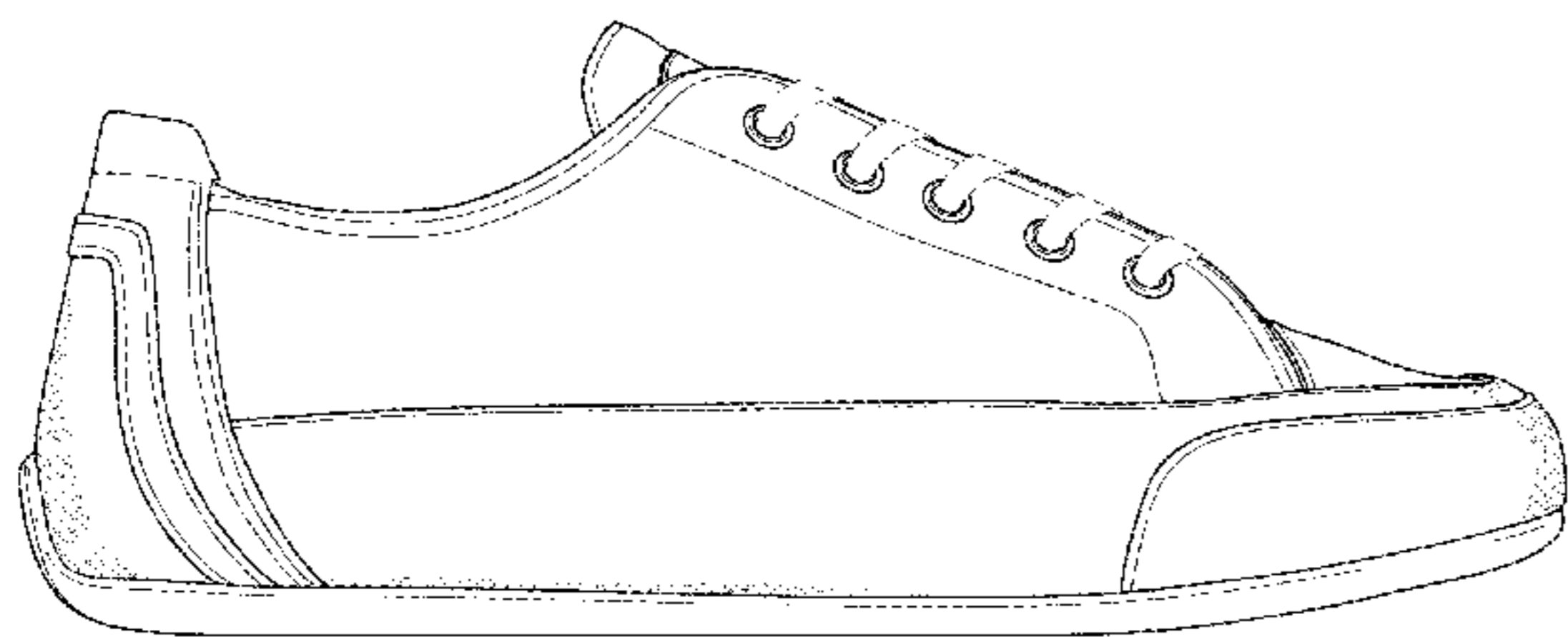
FIG. 4 is a bottom view thereof;

FIG. 5 is a front view thereof; and,

FIG. 6 is a rear view thereof.

The features illustrated in phantom line form no part of the claimed design.

**1 Claim, 5 Drawing Sheets**



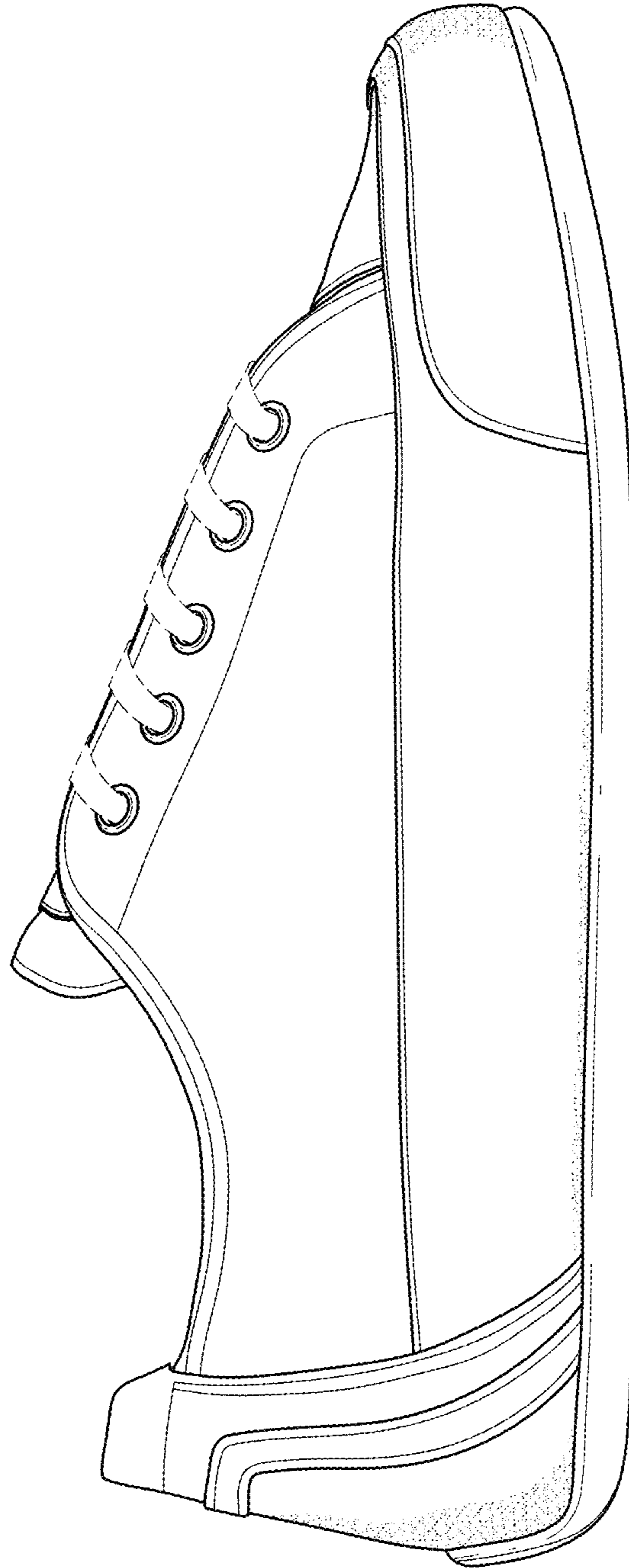


FIG. 1

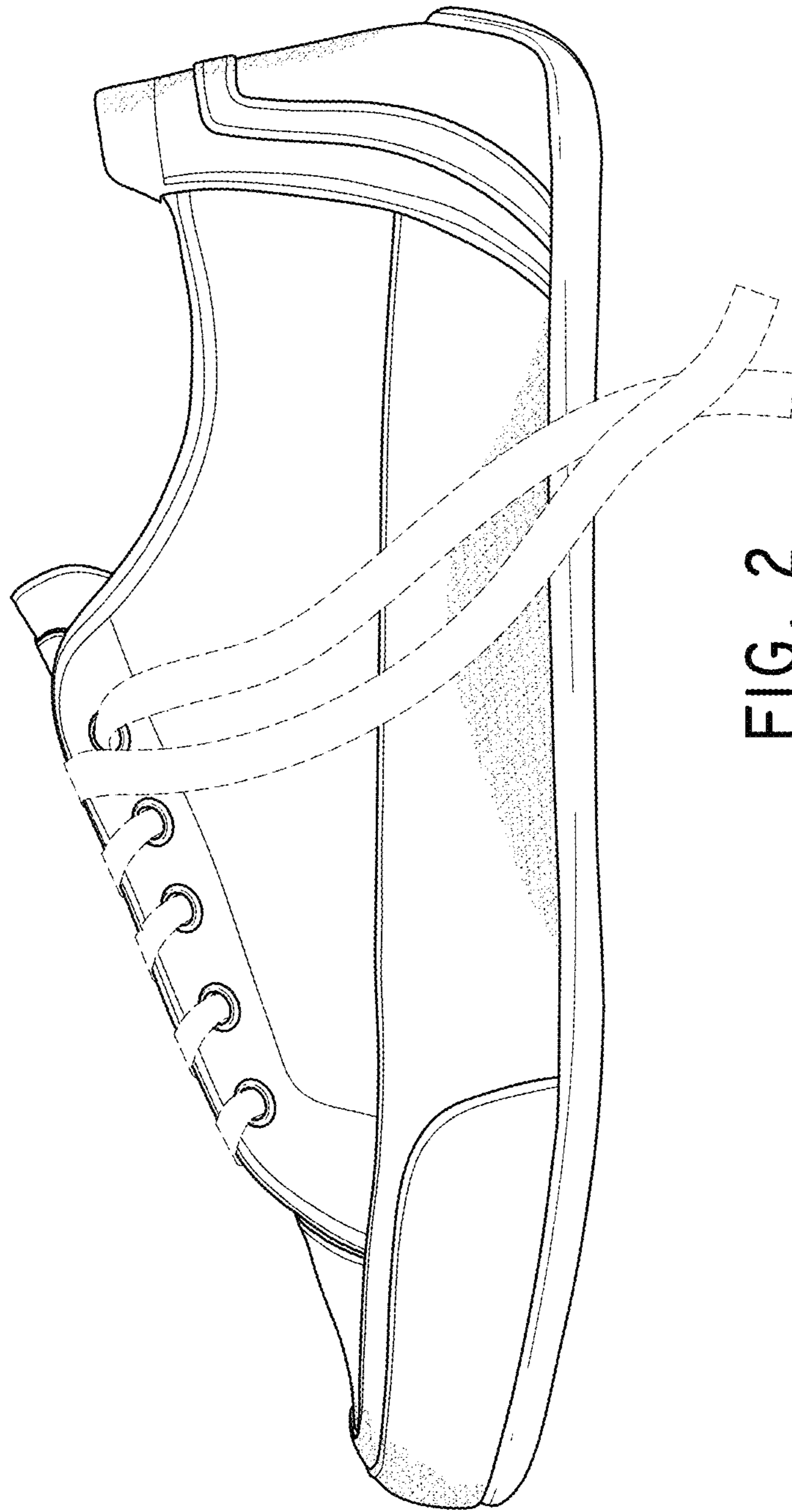


FIG. 2

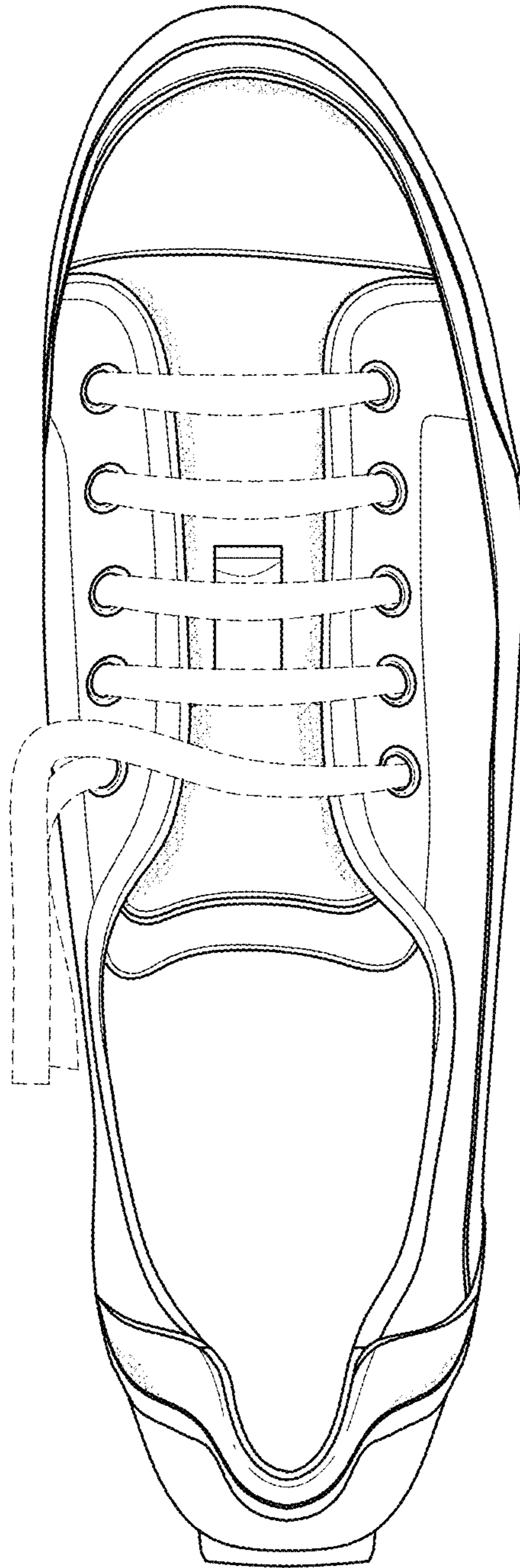


FIG. 3



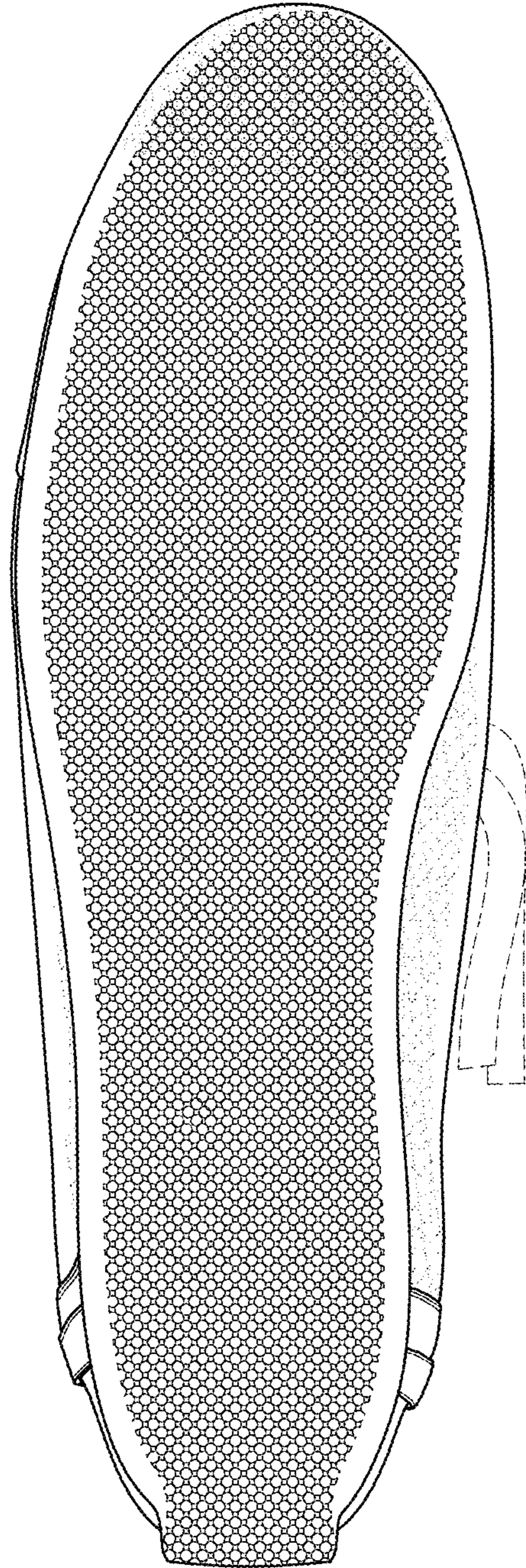


FIG. 4

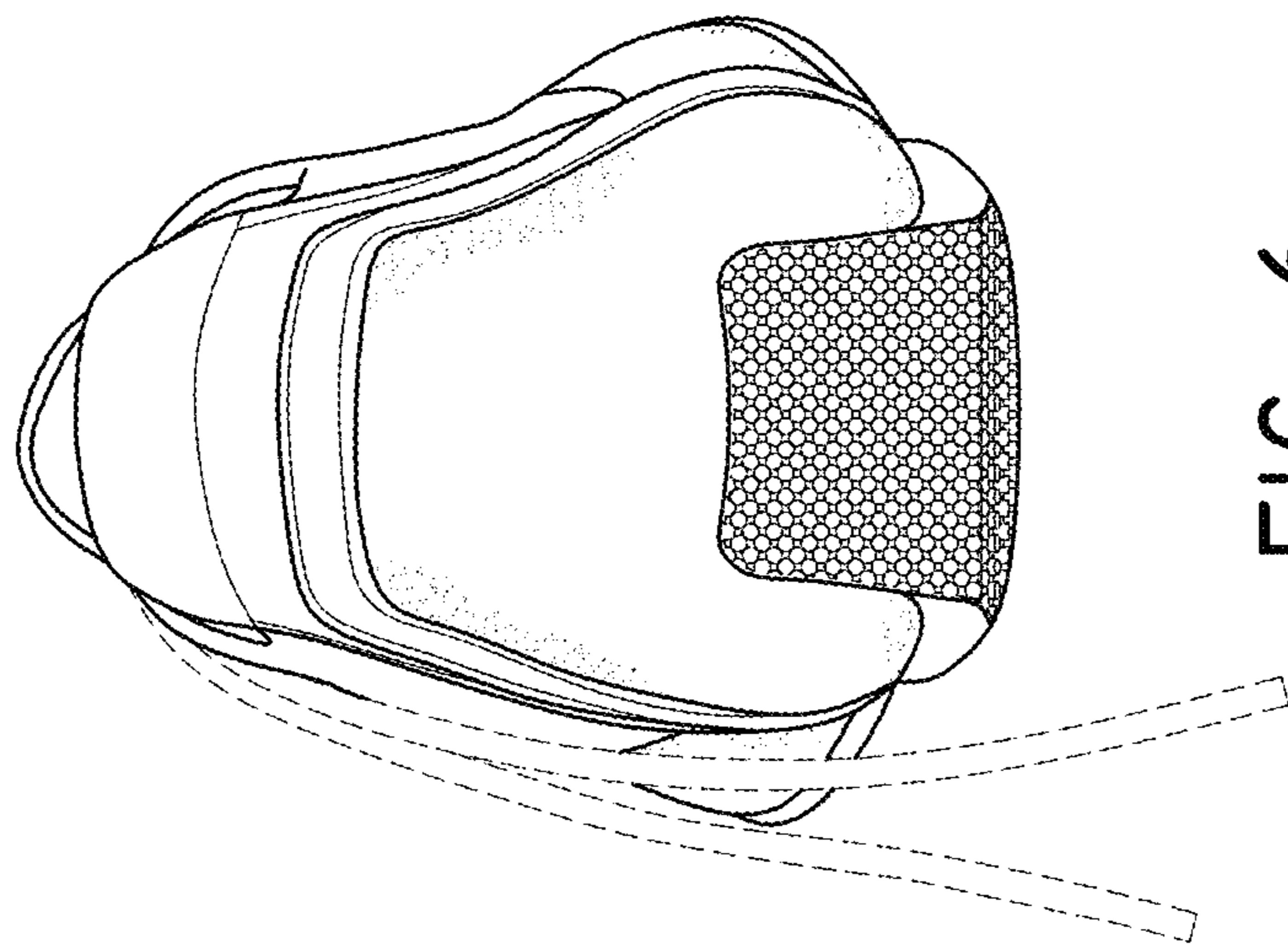


FIG. 6

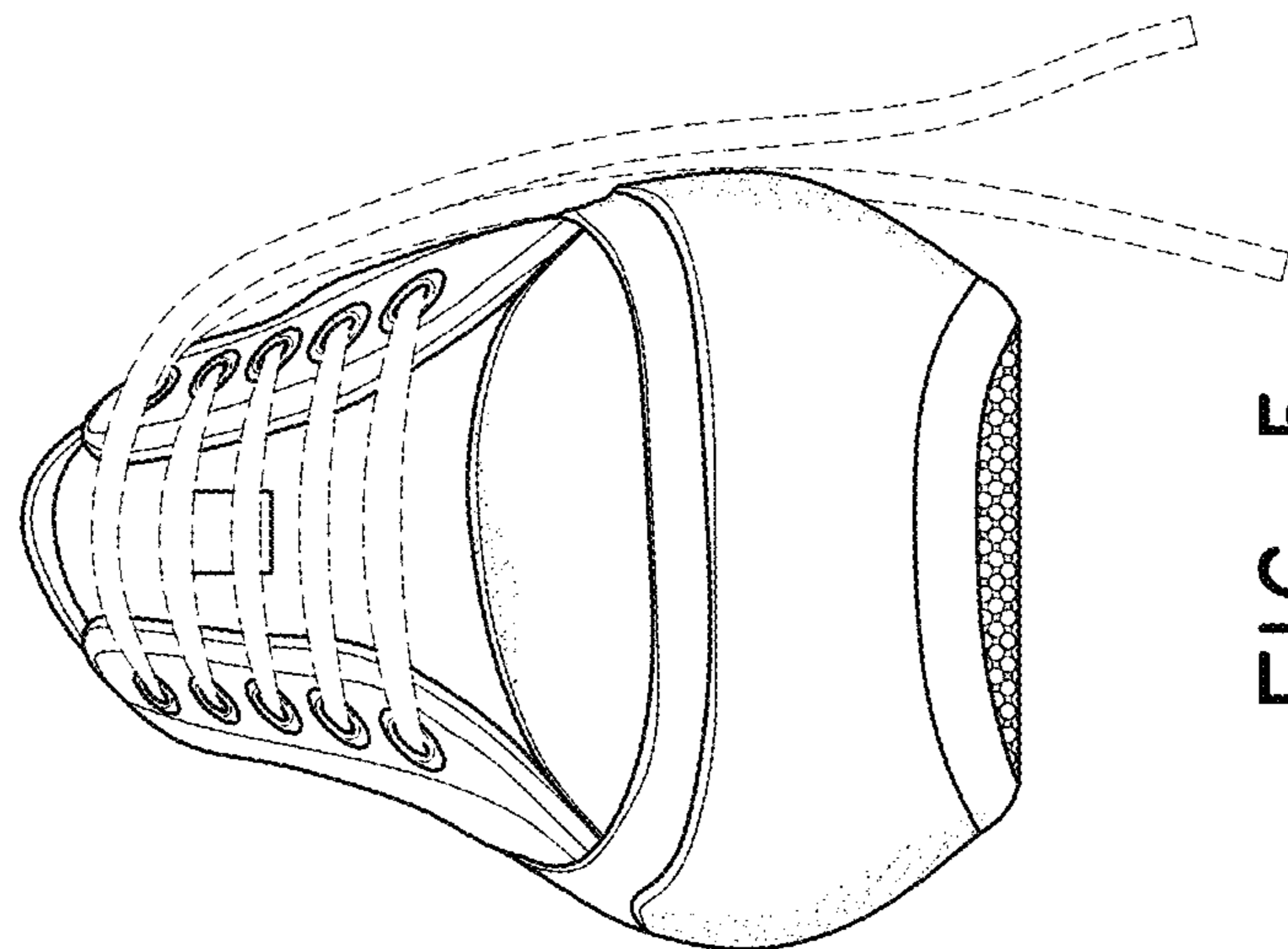


FIG. 5