



US00D735973S

(12) **United States Design Patent**
Hodis

(10) **Patent No.:** **US D735,973 S**

(45) **Date of Patent:** **** Aug. 11, 2015**

(54) **POCKET**

(75) Inventor: **Mircea Hodis**, Los Angeles, CA (US)

(73) Assignee: **Indigo Sun, LLC**, Los Angeles, CA (US)

(**) Term: **14 Years**

(21) Appl. No.: **29/416,299**

(22) Filed: **Mar. 20, 2012**

(51) **LOC (10) Cl.** **02-02**

(52) **U.S. Cl.**
USPC **D2/857**

(58) **Field of Classification Search**

USPC D2/639, 716, 769, 771, 786, 791, 812,
D2/820, 836, 839, 857, 847, 853, 742;
2/234-236, 252, 49.2, 247, 251, 253,
2/309, 220, 347, 265, 227, 94; 224/652,
224/587; D3/303, 253, 226, 247; 206/0.83,
206/0.84, 38, 37, 315.5, 714, 725; 66/173;
450/150, 89; 150/144, 131; 232/49, 33;
40/654.1, 122, 405, 611.09, 124.2,
40/752, 124.06

CPC A41D 1/06; A41F 9/00
See application file for complete search history.

(56) **References Cited**

U.S. PATENT DOCUMENTS

1,711,541 A * 5/1929 Reiss 2/253
2,476,354 A * 7/1949 Brisbin 2/247
D243,291 S * 2/1977 Mechaly et al. D2/857
D261,320 S * 10/1981 Heinfling D2/857
D261,445 S * 10/1981 Heinfling D2/857
D263,766 S * 4/1982 Heinfling D2/857
D278,378 S * 4/1985 Heinfling D2/857

6,760,922 B1 * 7/2004 Morales 2/94
D558,954 S * 1/2008 Lew D2/857
D584,487 S * 1/2009 Maimon D2/857
D609,433 S * 2/2010 Yu D2/857
D669,250 S * 10/2012 Girbaud et al. D2/857

* cited by examiner

Primary Examiner — Holly Baynham

(74) *Attorney, Agent, or Firm* — K&L Gates LLP; Louis C. Culman; Brian J. Novak

(57) **CLAIM**

The ornamental design for a pocket, as shown and described.

DESCRIPTION

FIG. 1 is a back perspective view of a pocket of my design;
FIG. 2 is an enlarged, back perspective view thereof;
FIG. 3 is a reduced scale back view thereof;
FIG. 4 is an enlarged, back view thereof;
FIG. 5 is a front view thereof;
FIG. 6 is a reduced scale side view thereof;
FIG. 7 is a reduced scale opposite side view thereof;
FIG. 8 is an enlarged side view thereof;
FIG. 9 is an enlarged opposite side view thereof;
FIG. 10 is a reduced scale top, perspective view thereof;
FIG. 11 is an enlarged, top perspective view thereof;
FIG. 12 is a reduced scale bottom perspective view thereof;
and,
FIG. 13 is an enlarged bottom perspective view thereof.
The short-short-long dash broken lines are for the purpose of illustrating environmental structure that form no part of the claimed design. The short-short-short lines are claimed and represent stitching. The zig-zag lines are claimed and represent stitching.

1 Claim, 12 Drawing Sheets

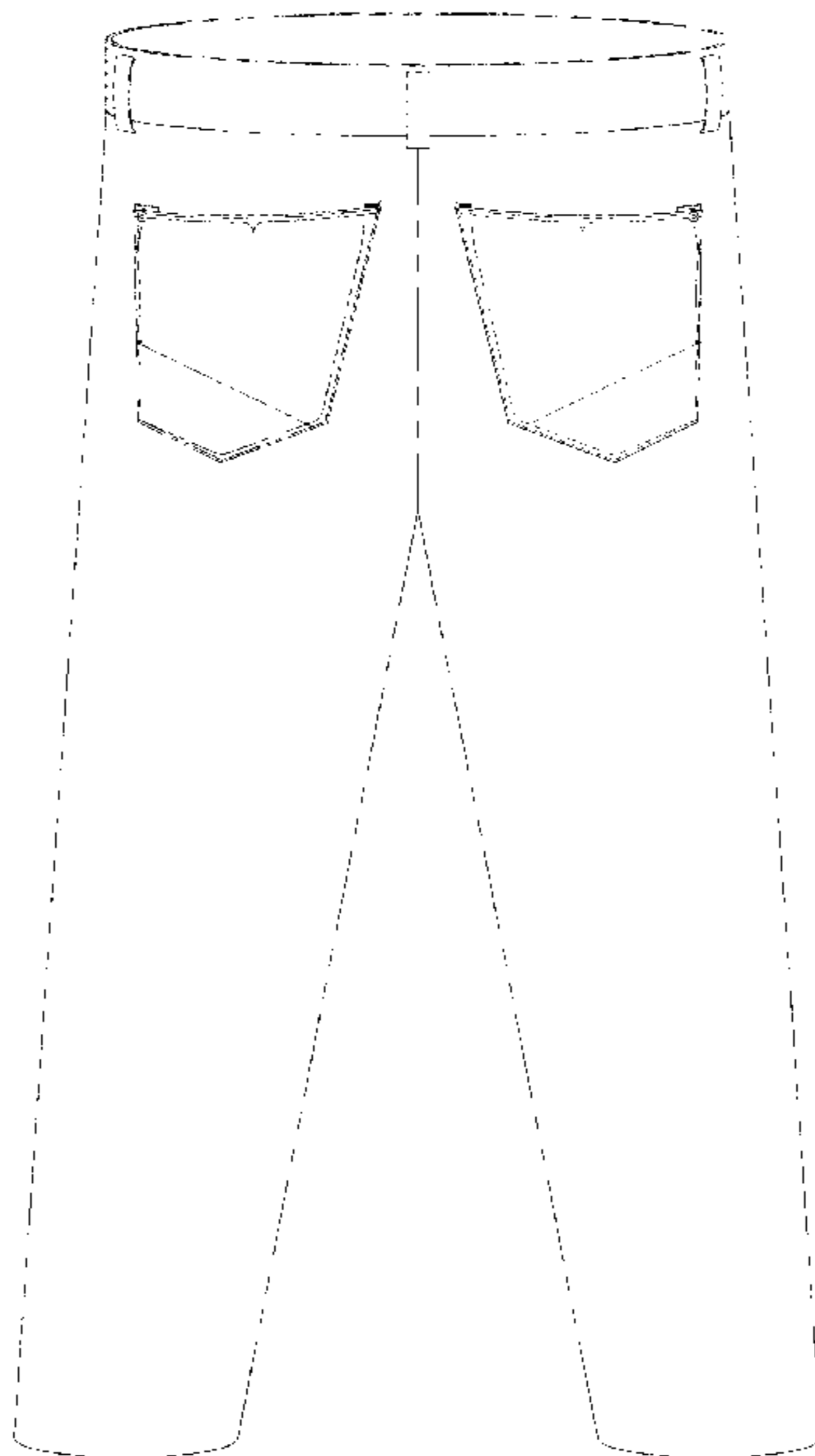


FIG. 1

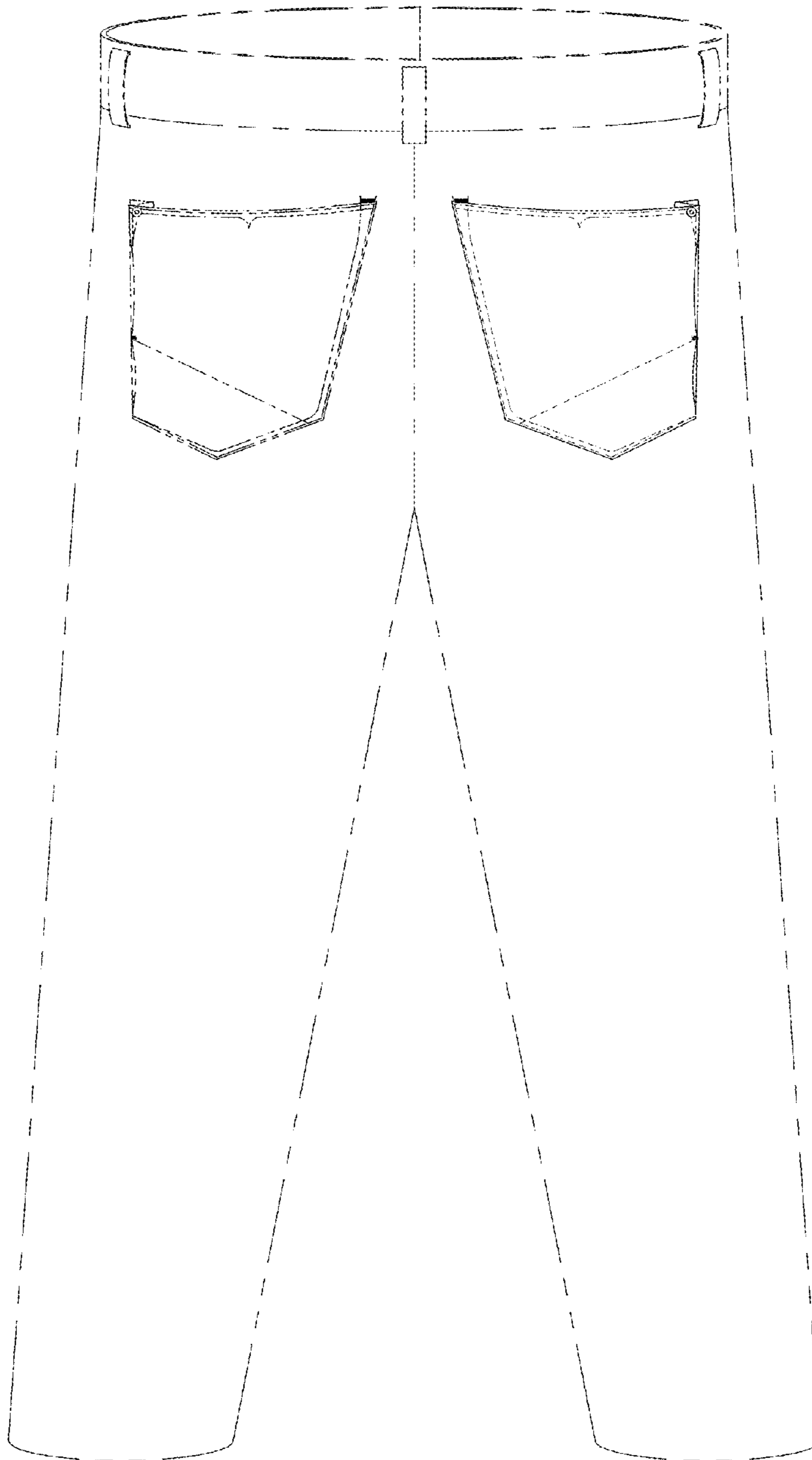


FIG. 2

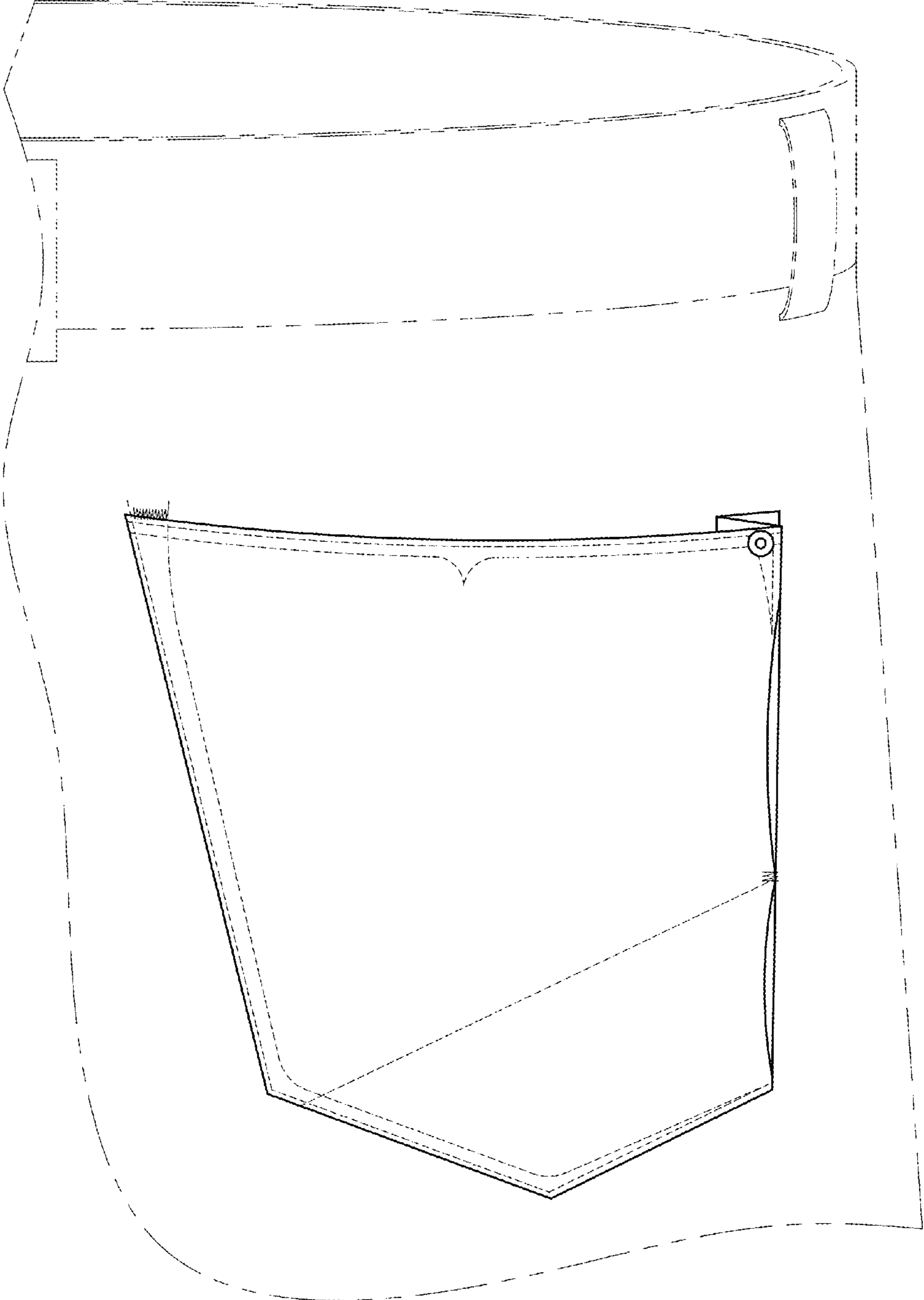


FIG. 3

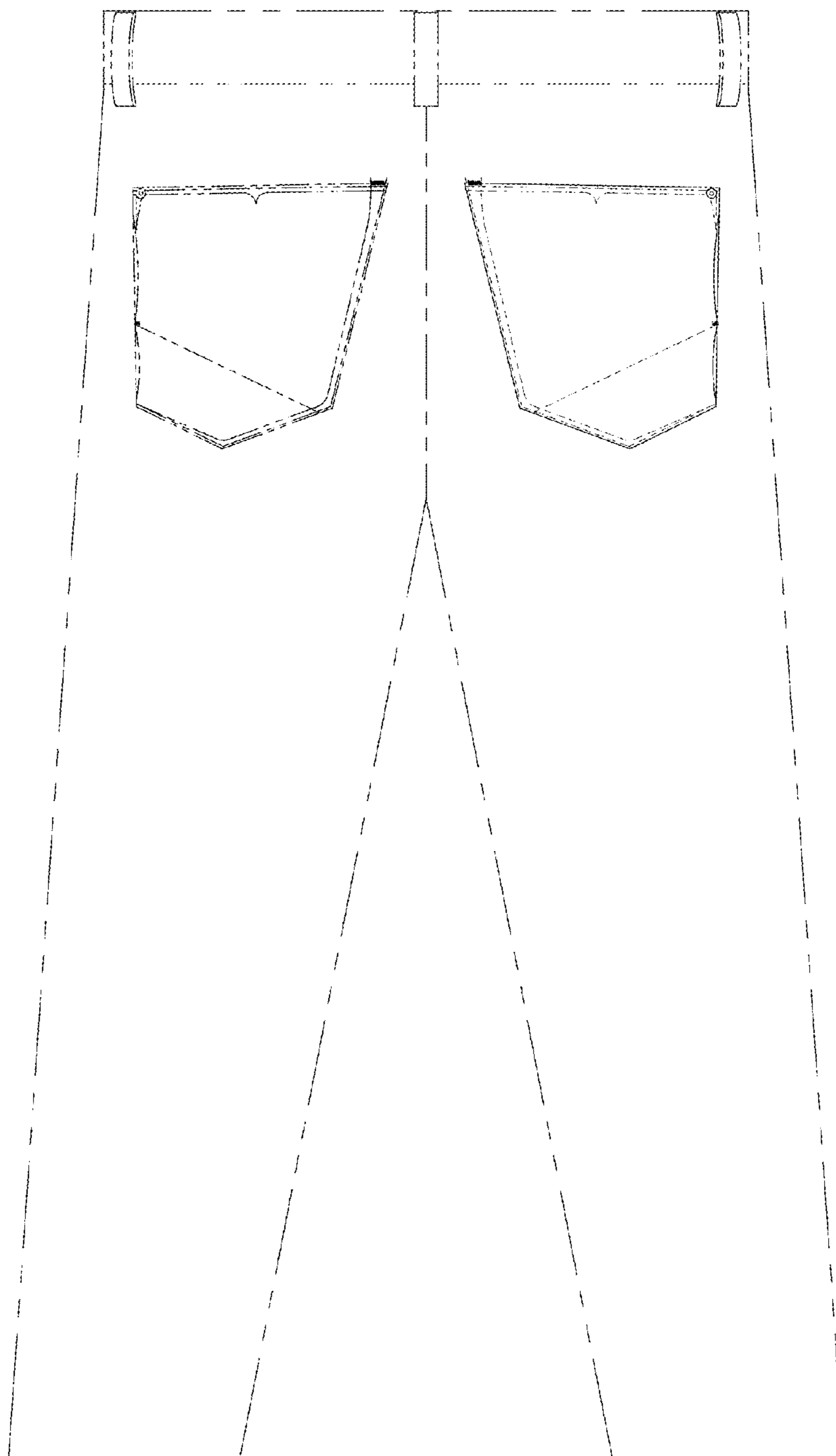


FIG. 4

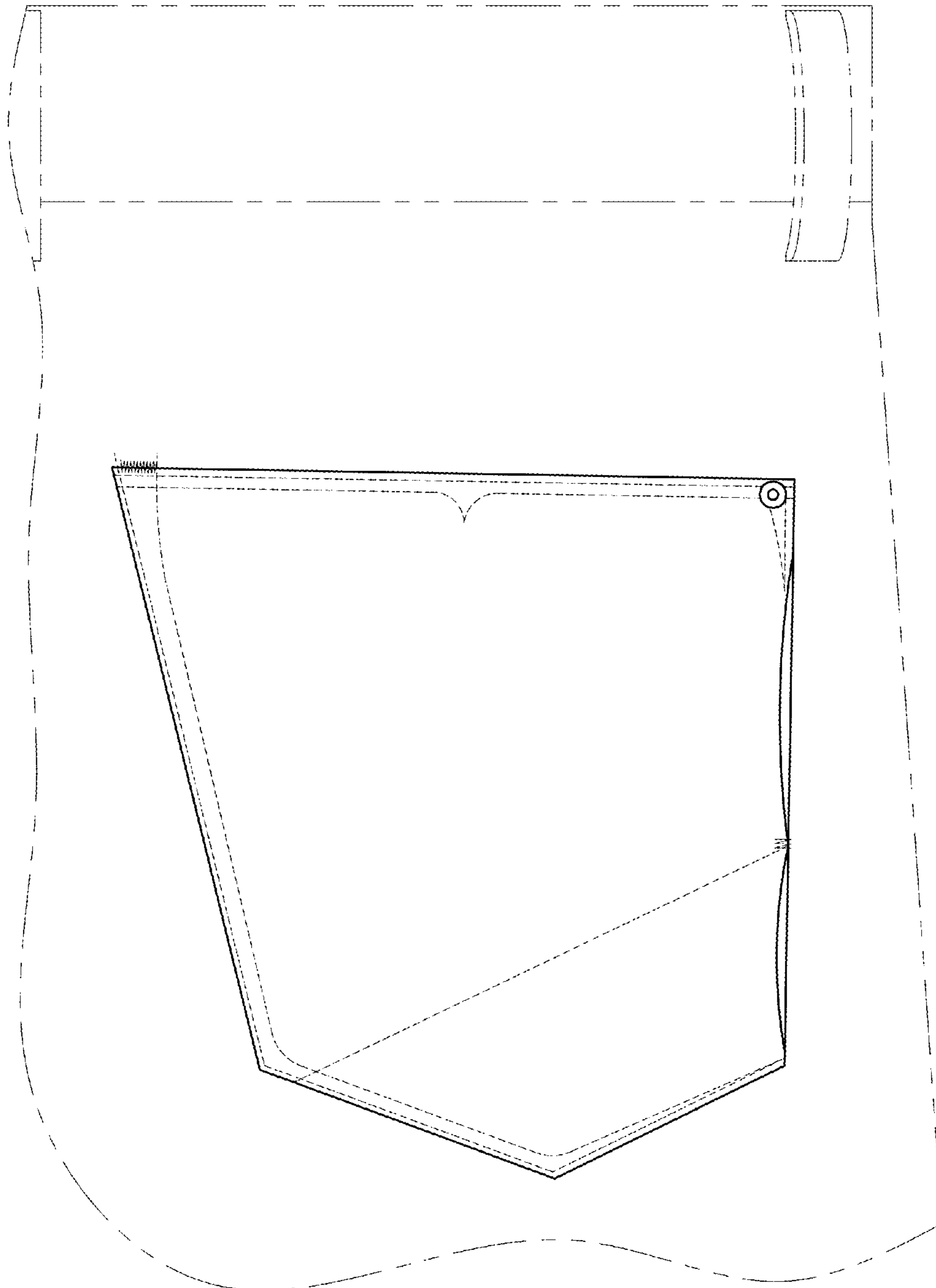


FIG. 5

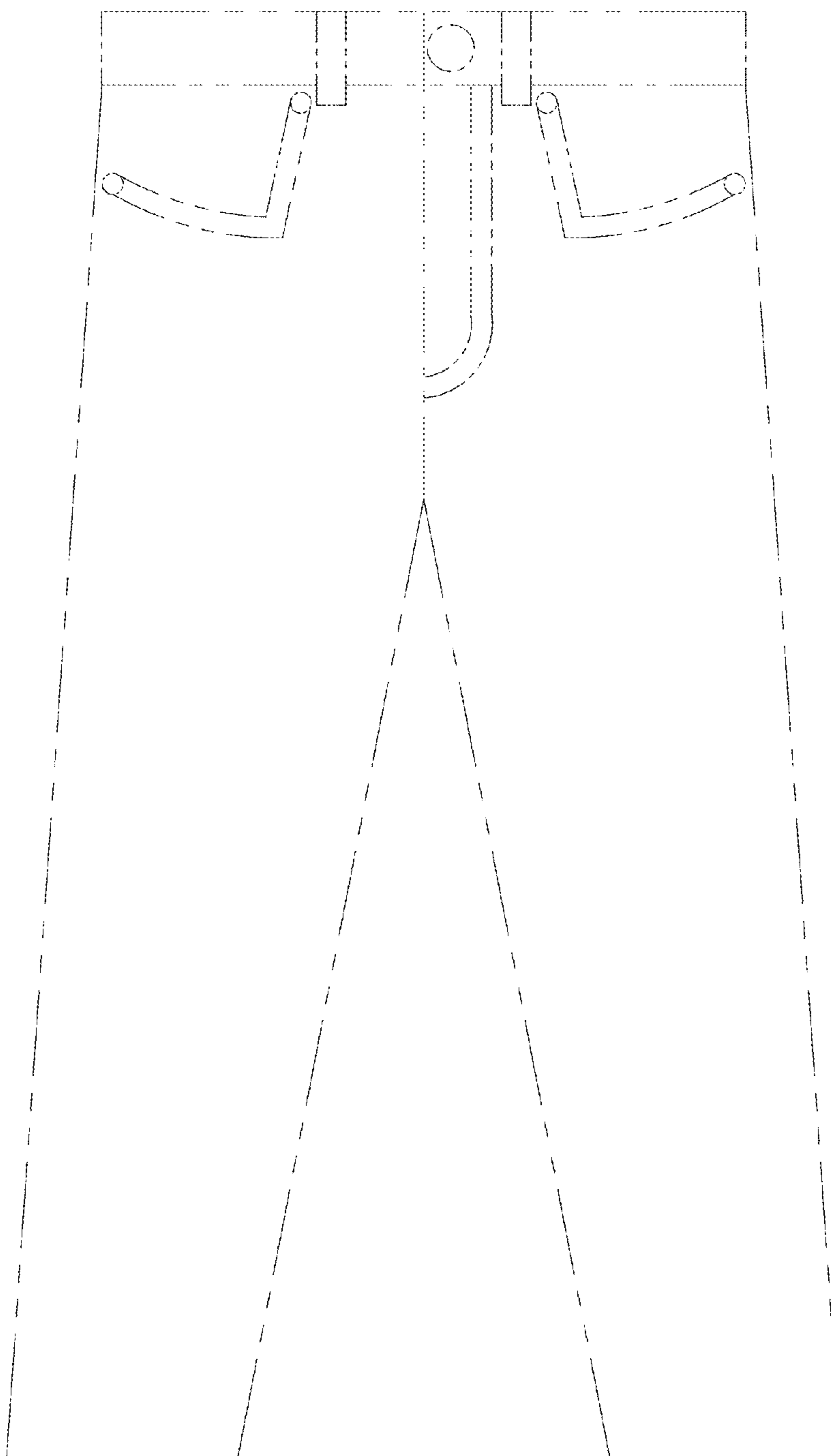


FIG. 6

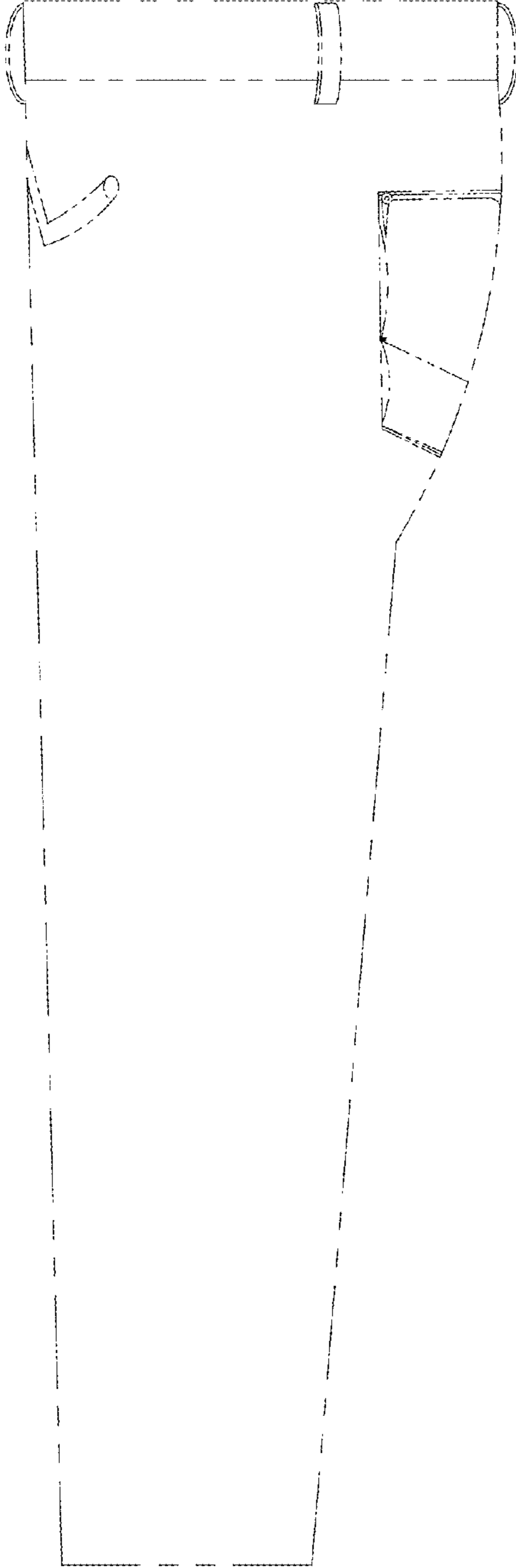


FIG. 7

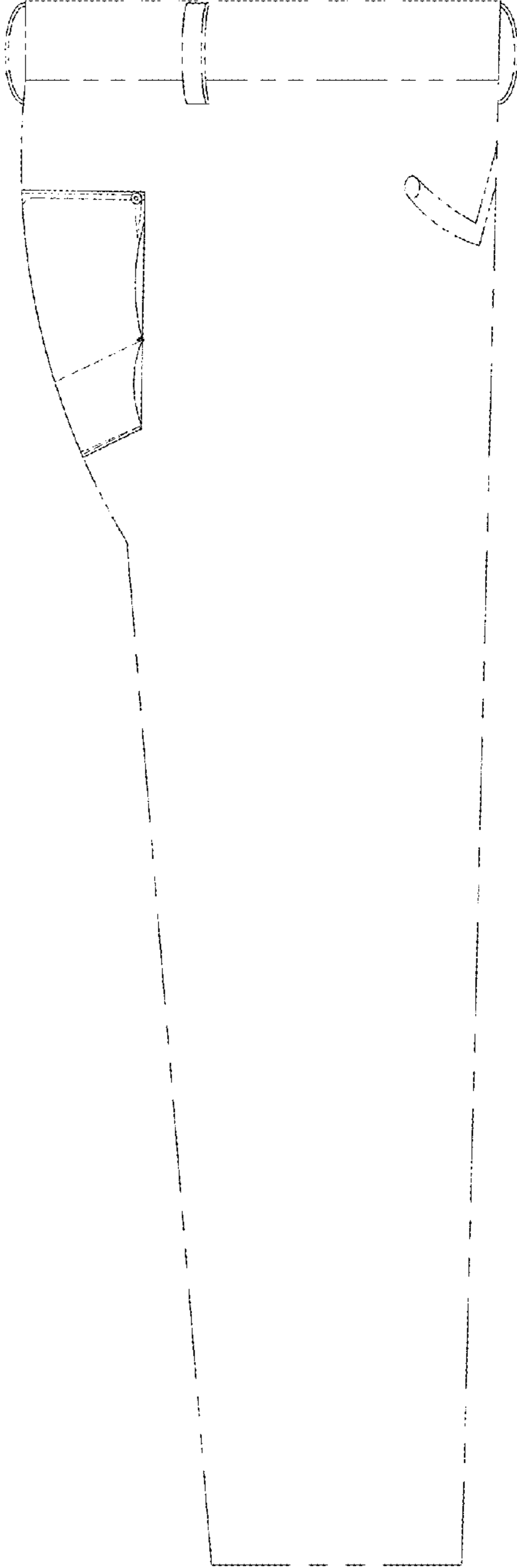


FIG. 8

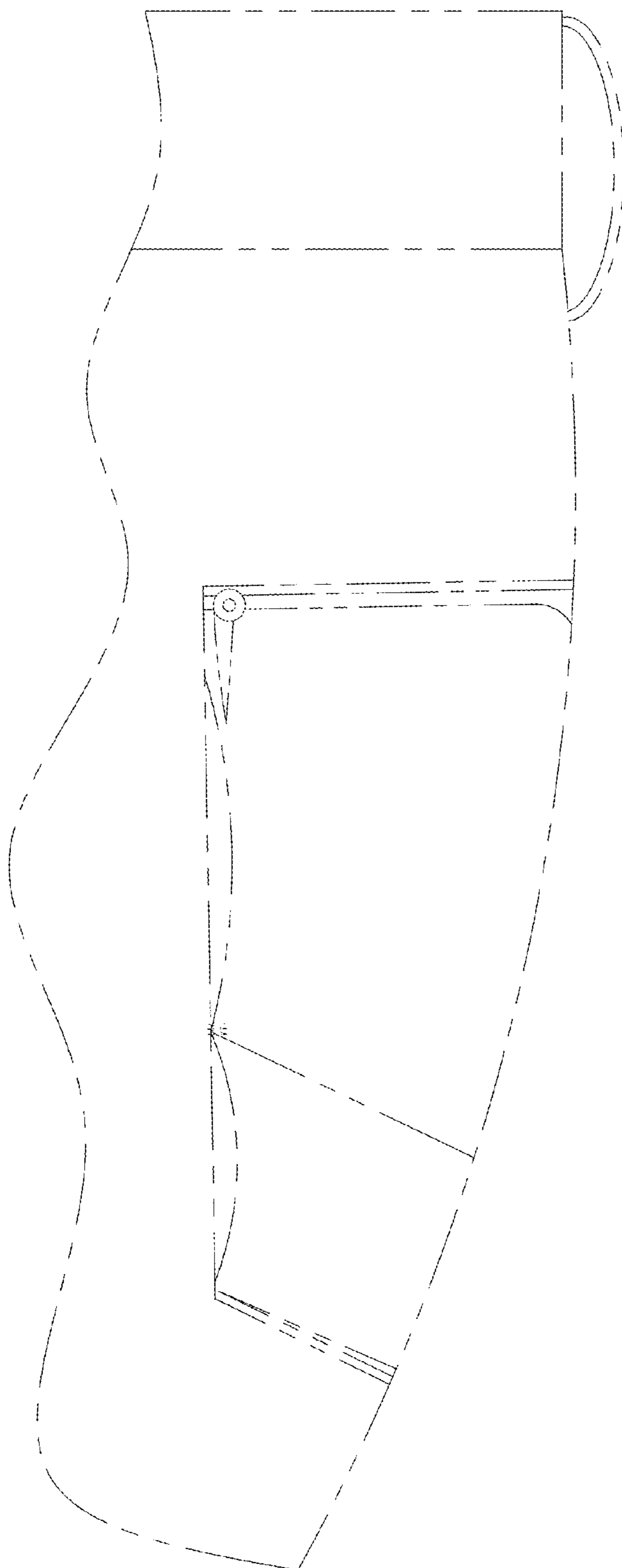


FIG. 9

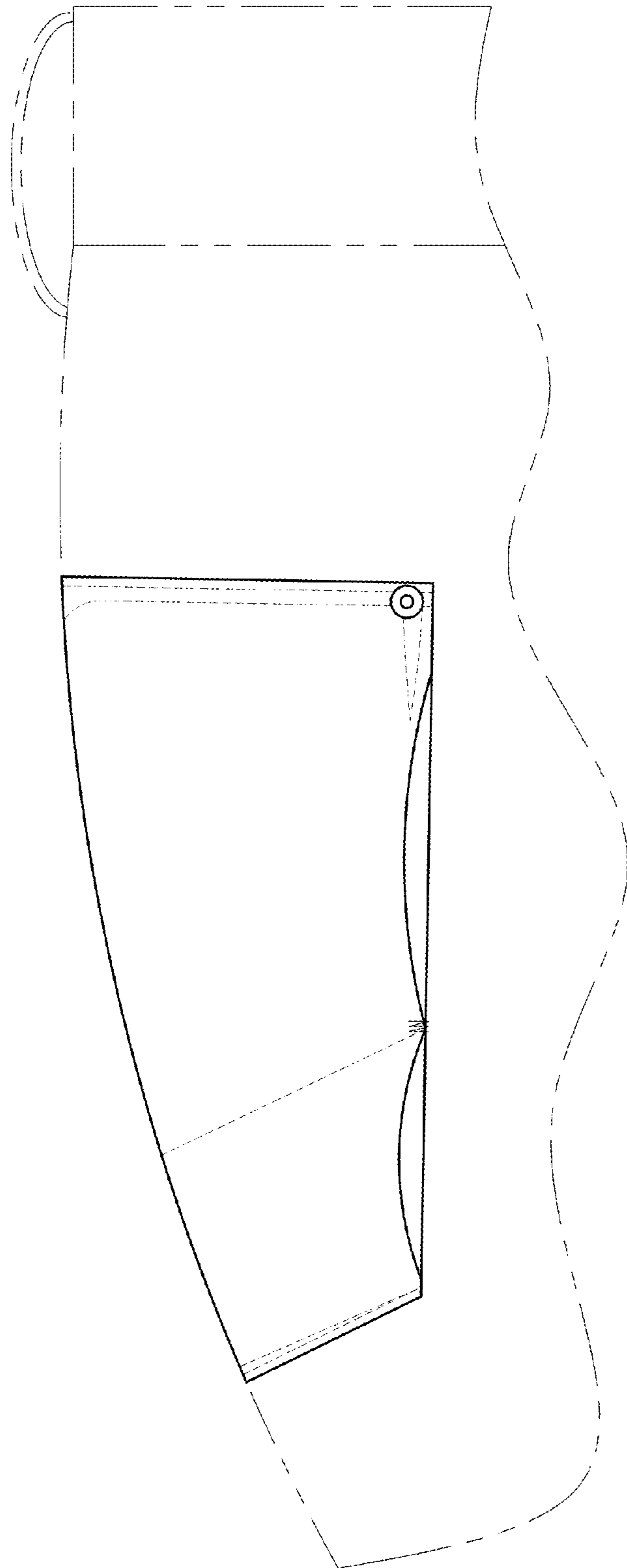


FIG. 10

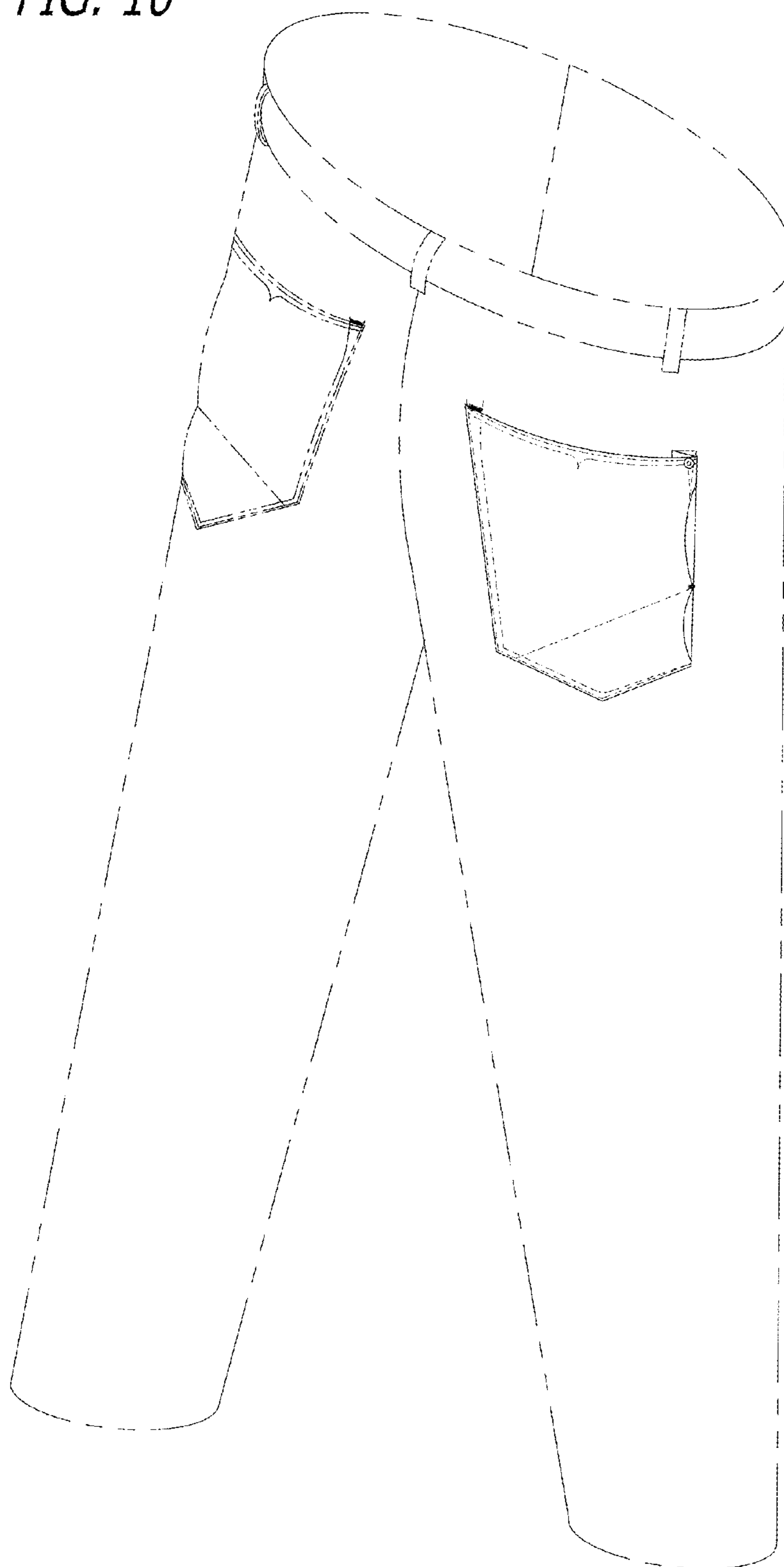


FIG. 11

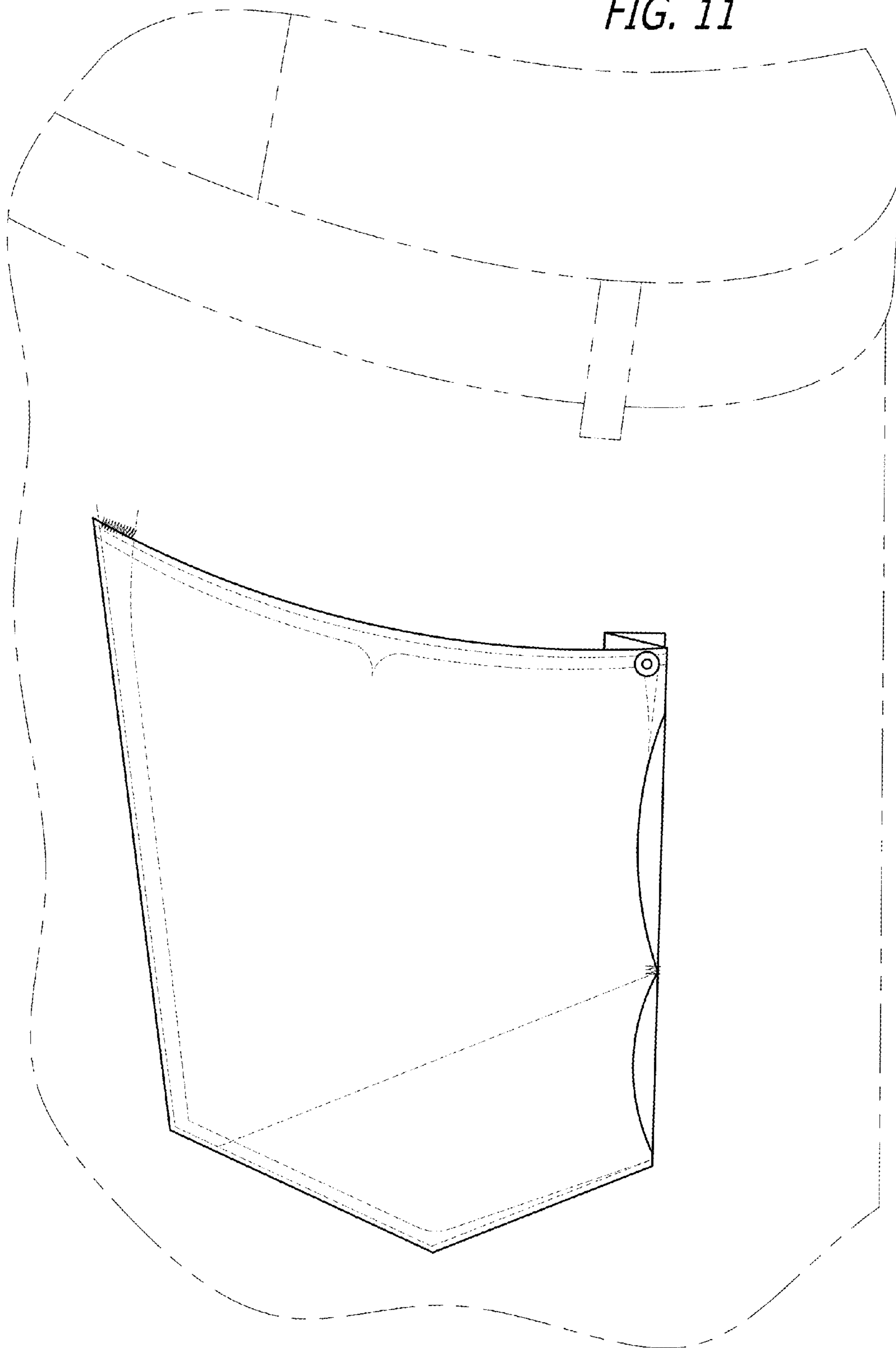


FIG. 12

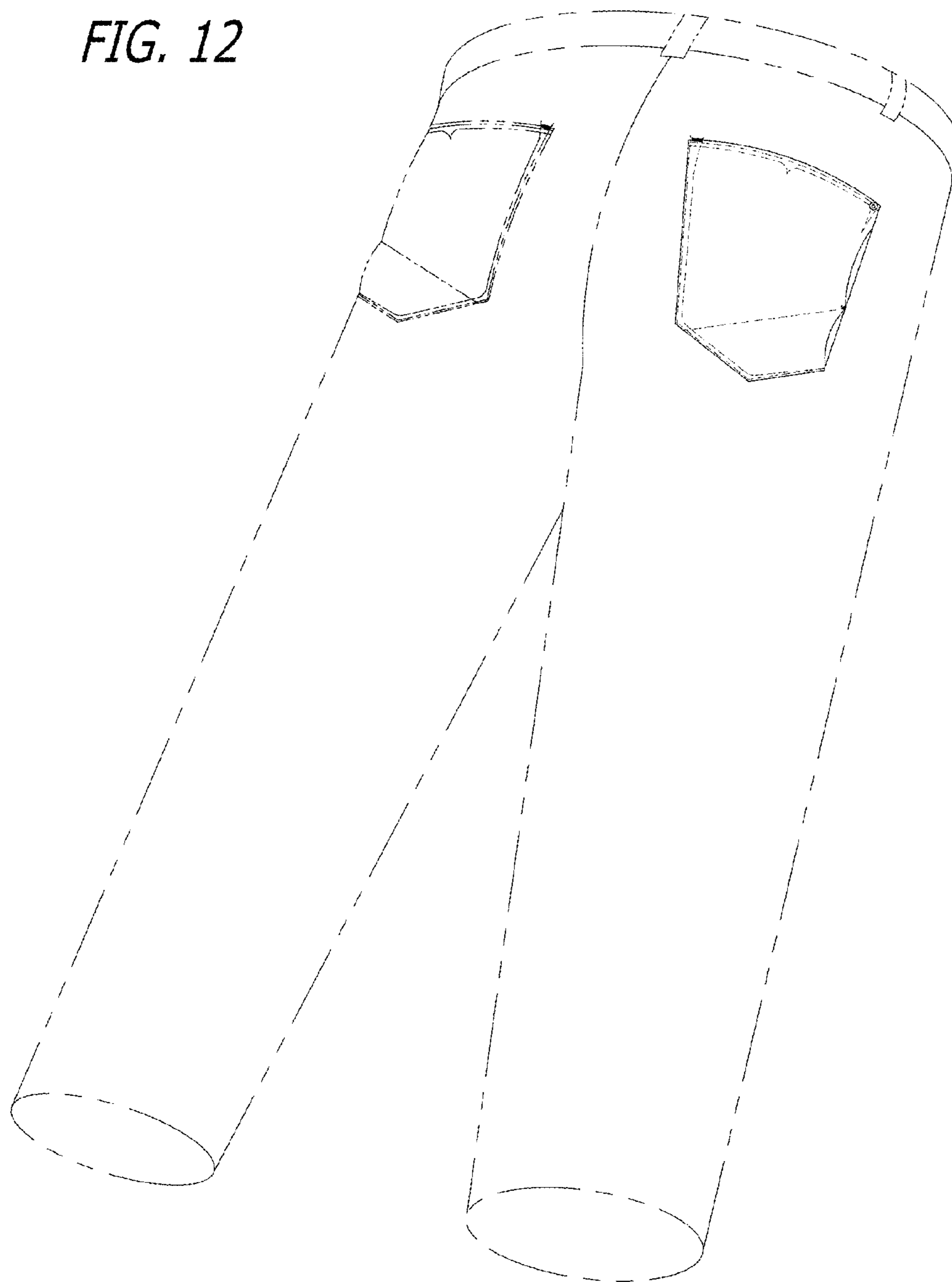


FIG. 13

