



US00D735960S

(12) **United States Design Patent**
Zhang

(10) **Patent No.:** **US D735,960 S**

(45) **Date of Patent:** **** Aug. 4, 2015**

(54) **BLOWER**

(71) Applicant: **CHERVON (HK) LIMITED**, Wanchai
(HK)

(72) Inventor: **Su Zhang**, Nanjing (CN)

(73) Assignee: **Chevron (HK) Limited**, Hong Kong
(HK)

(**) Term: **14 Years**

(21) Appl. No.: **29/477,758**

(22) Filed: **Dec. 26, 2013**

(51) **LOC (10) Cl.** **15-05**

(52) **U.S. Cl.**
USPC **D32/15**

(58) **Field of Classification Search**
USPC D32/1, 5, 12, 13-18; D23/213, 383;
15/300.1, 344-345; D12/2, 331,
D12/340-343; D13/112; D22/116; 34/58,
34/131, 96, 97, 101
See application file for complete search history.

(56) **References Cited**

U.S. PATENT DOCUMENTS

D263,547	S	*	3/1982	Carsello	D32/15
D266,587	S	*	10/1982	Satoh	D23/383
D314,846	S	*	2/1991	deBlois	D32/18
D352,766	S	*	11/1994	Hill et al.	D23/213
D368,342	S	*	3/1996	Founds	D32/18
D400,322	S	*	10/1998	Webster et al.	D32/15
D405,566	S	*	2/1999	Webster et al.	D32/15
D471,680	S	*	3/2003	Tokumaru et al.	D32/15
D480,844	S	*	10/2003	Noma et al.	D32/15
D584,461	S	*	1/2009	Sweeney	D32/15
D620,652	S	*	7/2010	Butts et al.	D32/18
D637,774	S	*	5/2011	Li et al.	D32/15
D637,776	S	*	5/2011	Tinius	D32/25
D640,848	S	*	6/2011	Houghton	D32/18
D641,111	S	*	7/2011	Houghton	D32/18

D653,008	S	*	1/2012	Houghton	D32/18
8,104,138	B2	*	1/2012	Schliemann et al.	15/330
D668,822	S	*	10/2012	Tinius	D32/15

(Continued)

FOREIGN PATENT DOCUMENTS

CN	300879277	*	1/2009
CN	301062144	*	11/2009

(Continued)

OTHER PUBLICATIONS

Amazon.com : Compact High Speed Electric Blower, customer review dated 2010, [online], [site visited Nov. 18, 2011], <http://www.amazon.com/Compact-High-Speed-Electric-Blower/dp/B00159X2PU/ref=sr_1_89?ie=UTF8&id=1416340420&sr=8-89&keywords=blower&pebp=14...*

(Continued)

Primary Examiner — John Windmuller
Assistant Examiner — John R Yeh
(74) *Attorney, Agent, or Firm* — Greenberg Traurig, LLP

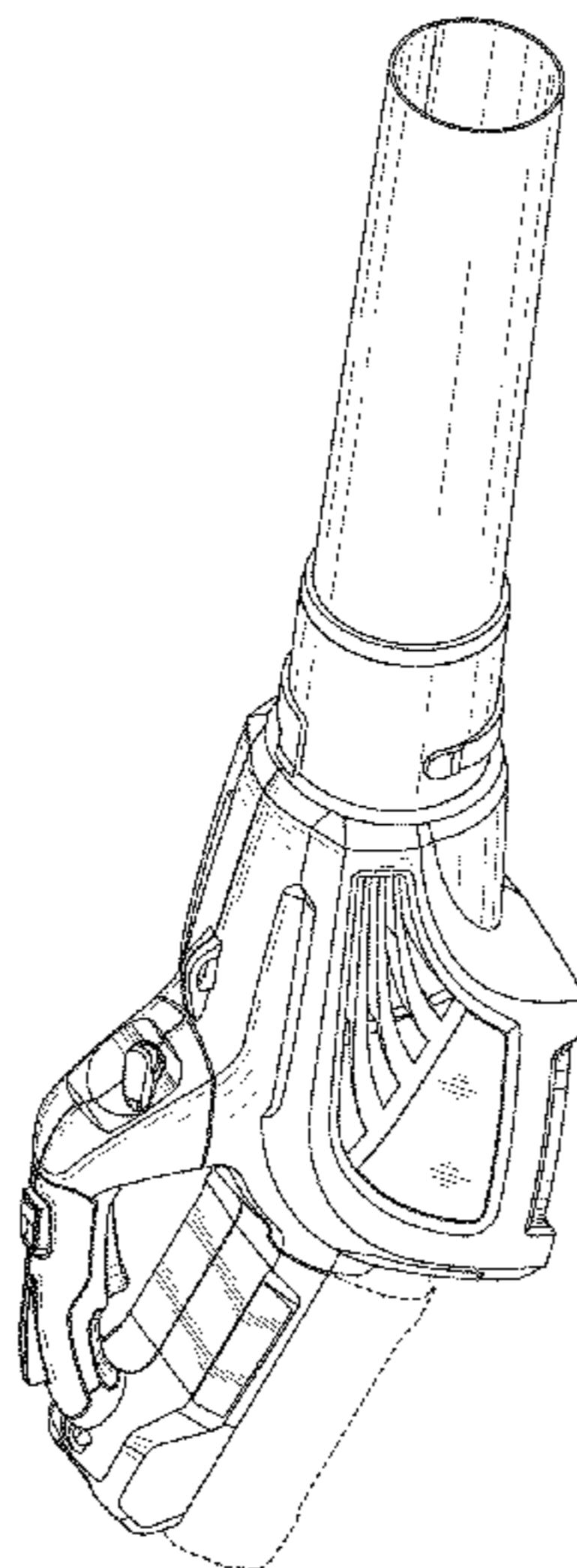
(57) **CLAIM**

What is claimed is the ornamental design for a blower, as shown and described.

DESCRIPTION

FIG. 1 is a left side elevational view of a blower showing my new design;
FIG. 2 is a right side elevational view thereof;
FIG. 3 is a bottom plan view thereof;
FIG. 4 is a top plan view thereof;
FIG. 5 is a front side elevational view thereof;
FIG. 6 is a rear side elevational view thereof; and,
FIG. 7 is a perspective view thereof.
Any elements shown in dotted and/or dashed lines are provided for illustrative purposes only and form no part of the design claimed. Any surface shading is used solely to show the character or contour of the surfaces represented.

1 Claim, 6 Drawing Sheets



(56)

References Cited

OTHER PUBLICATIONS

U.S. PATENT DOCUMENTS

D703,890 S * 4/2014 Shin et al. D32/18
D709,164 S * 7/2014 Abernethy et al. D23/213
2008/0127448 A1* 6/2008 Kremsler et al. 15/330
2014/0230181 A1* 8/2014 Yamaoka et al. 15/344

FOREIGN PATENT DOCUMENTS

CN 301067325 * 11/2009
CN 301742717 * 11/2011
CN 301877539 * 4/2012

Applicants item for sale, Blower | Lithium-Ion, Cordless, 56V,
Rechargeable, 2014, [online], [site visited Nov. 18, 2014], <<http://egopowerplus.com/products/blower?gclid=CJ6868byhMICFa9j7AodfHEAGg>>.*

* cited by examiner

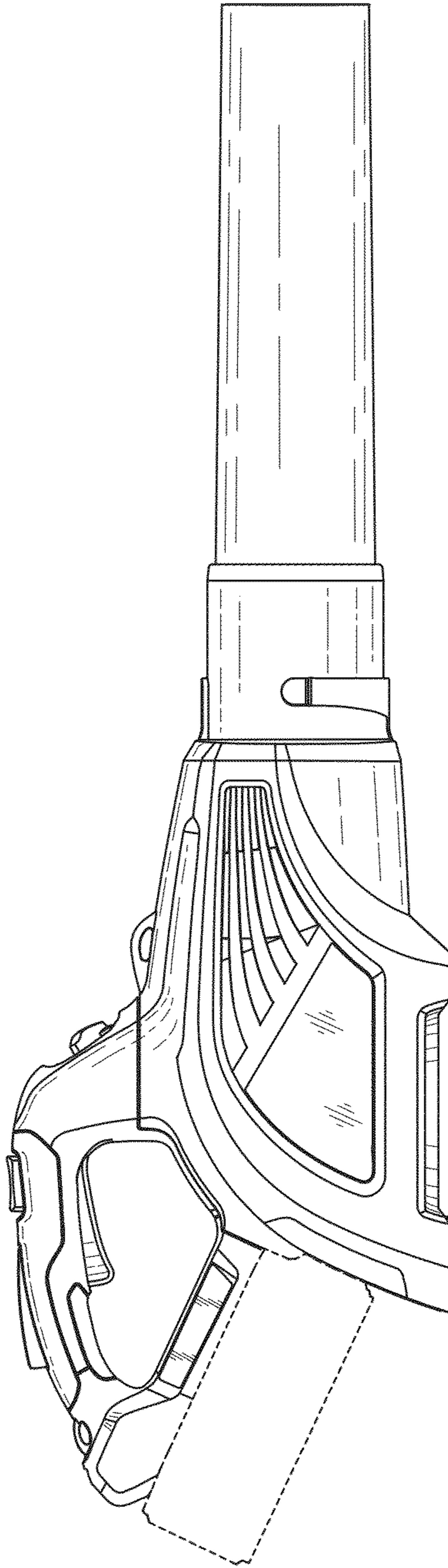


Fig. 1

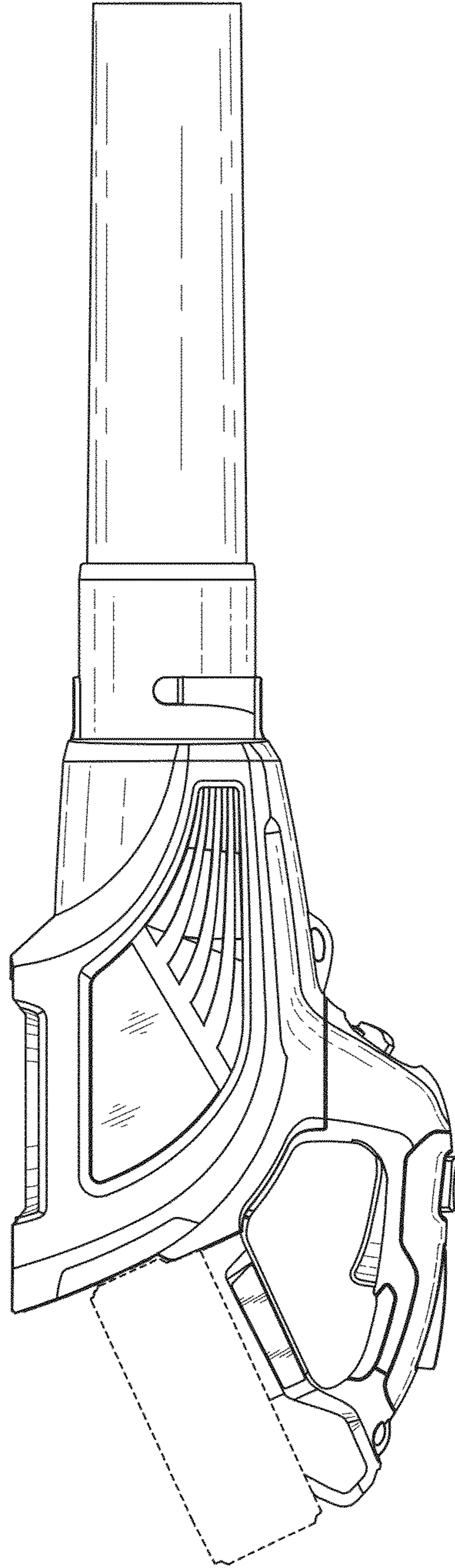


Fig. 2

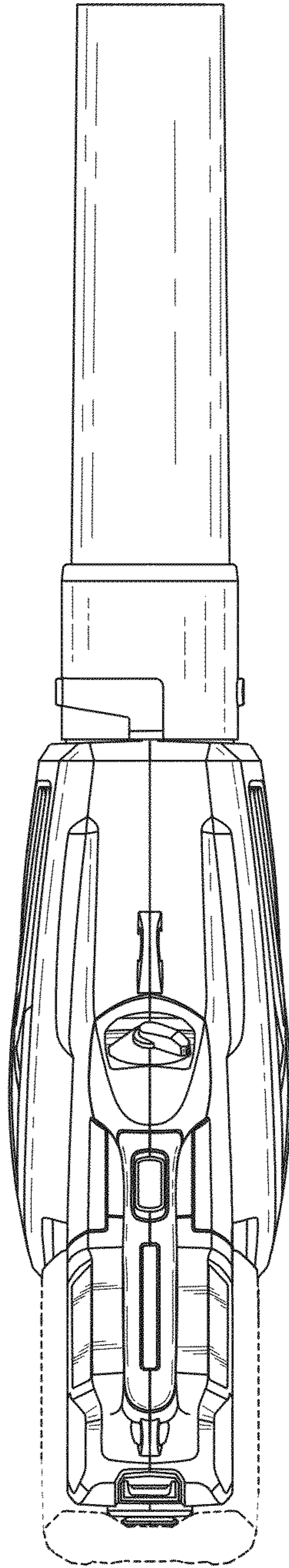


Fig. 3

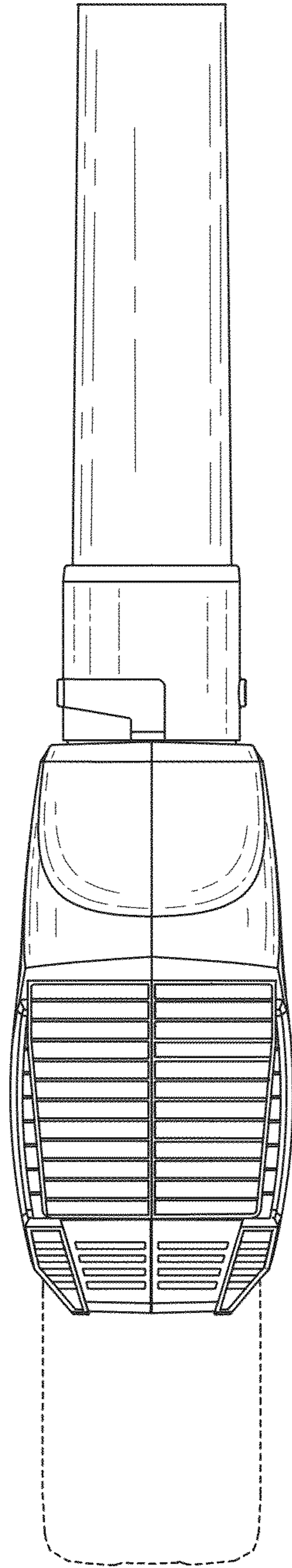


Fig. 4

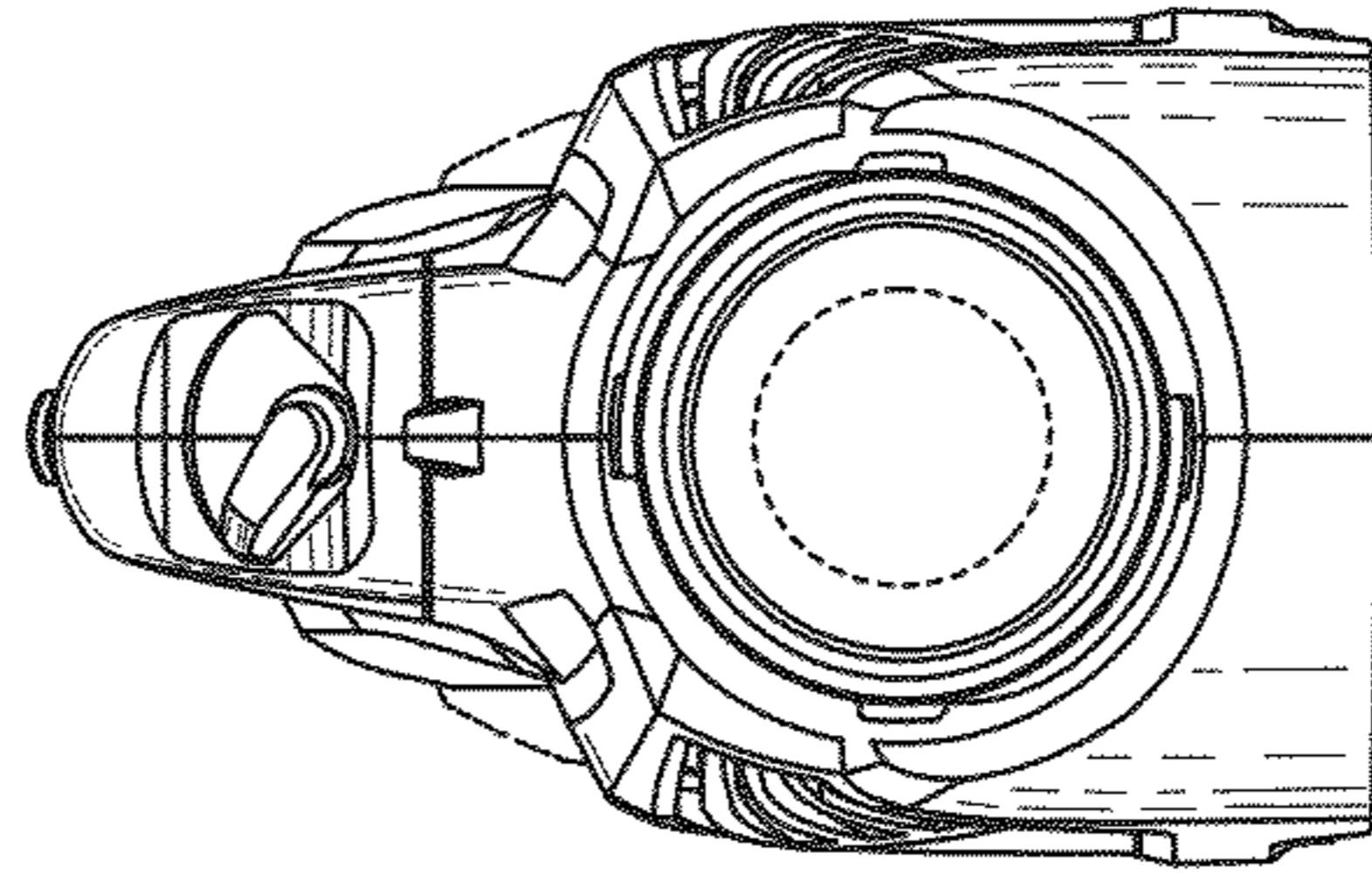


Fig. 5

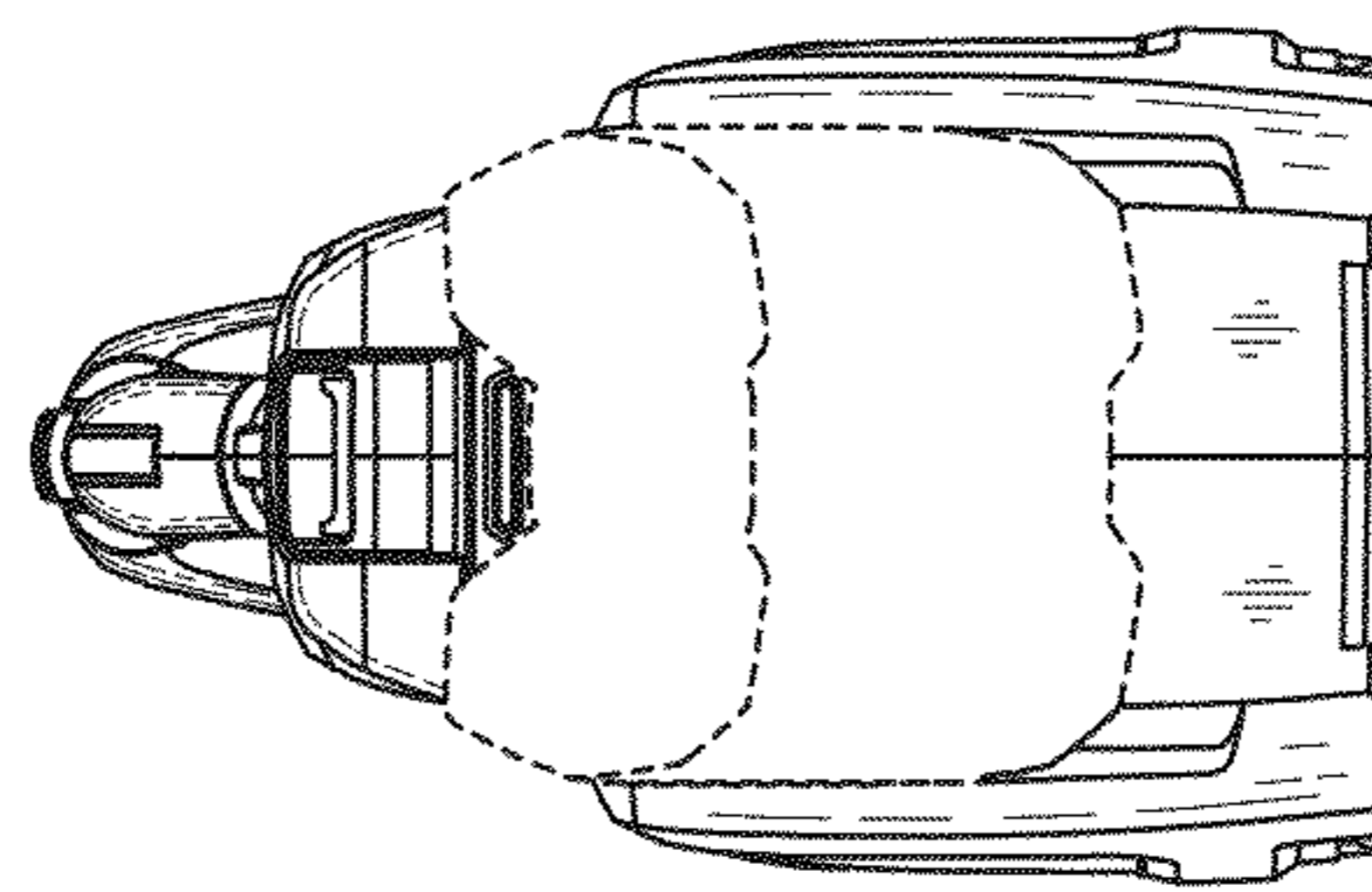


Fig. 6

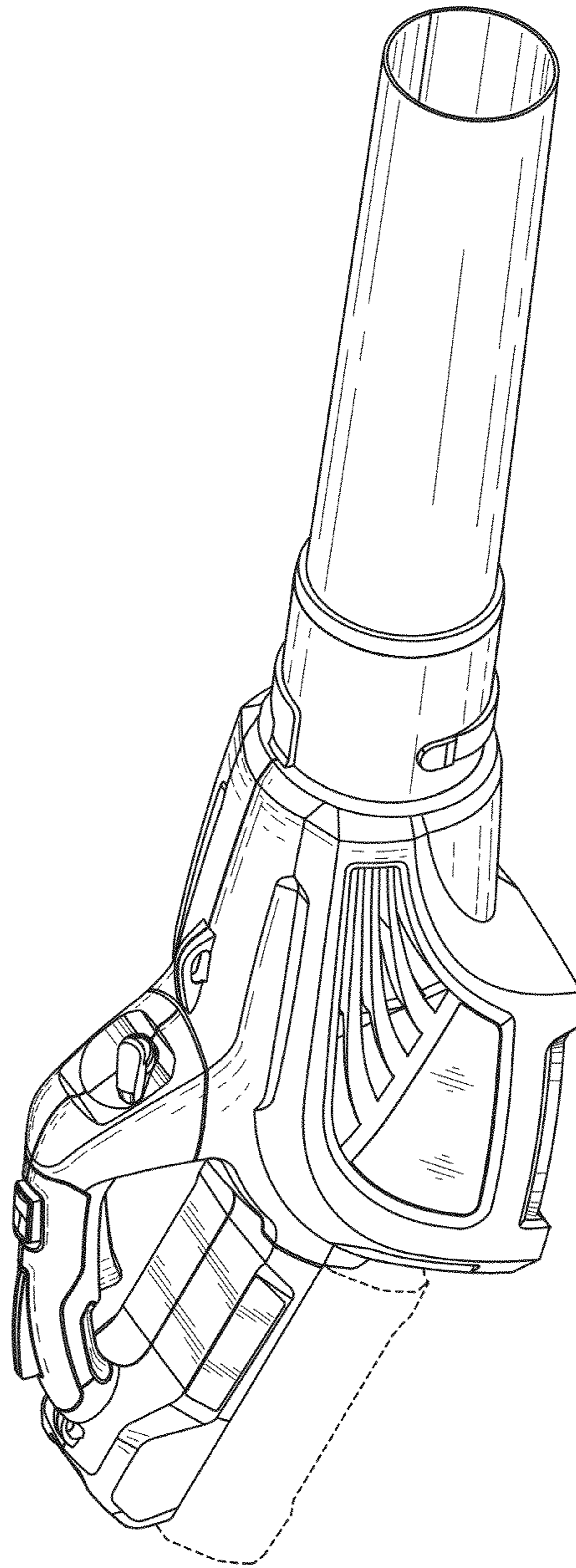


Fig. 7

UNITED STATES PATENT AND TRADEMARK OFFICE
CERTIFICATE OF CORRECTION

PATENT NO. : D735,960 S
APPLICATION NO. : 29/477758
DATED : August 4, 2015
INVENTOR(S) : Su Zhang

Page 1 of 1

It is certified that error appears in the above-identified patent and that said Letters Patent is hereby corrected as shown below:

On the Title Page

(73) Assignee: [Chevron] should be "Chervon"

Signed and Sealed this
Fifteenth Day of October, 2024
Katherine Kelly Vidal

Katherine Kelly Vidal
Director of the United States Patent and Trademark Office