



US00D735959S

(12) **United States Design Patent**  
**Linton et al.**

(10) **Patent No.:** **US D735,959 S**  
(45) **Date of Patent:** **\*\* Aug. 4, 2015**

- (54) **PRESSURE WASHER**
- (71) Applicant: **Kärcher North America, Inc.**,  
Englewood, CO (US)
- (72) Inventors: **Paul W. Linton**, Gresham, OR (US);  
**Thomas E. Corsine**, Troutdale, OR (US);  
**Chris Alan Valentine**, Portland, OR (US);  
**Derek J. Knight**, Vancouver, WA (US)
- (73) Assignee: **Kärcher North America, Inc.**,  
Englewood, CO (US)
- (\*\*) Term: **14 Years**
- (21) Appl. No.: **29/453,792**
- (22) Filed: **May 2, 2013**
- (51) **LOC (10) Cl.** ..... **15-05**
- (52) **U.S. Cl.**  
USPC ..... **D32/15**
- (58) **Field of Classification Search**  
USPC ..... D32/15, 1; 211/27; D34/19; D15/7;  
D23/200; 206/600; 280/47.34, 651;  
D13/184  
See application file for complete search history.

- D212,777 S 11/1968 Anderson
- D221,021 S 6/1971 Jones
- D233,361 S 10/1974 Norden
- D233,545 S 11/1974 Johns
- D236,319 S 8/1975 Jakubowski
- D237,035 S 10/1975 Berendes et al.
- D238,299 S \* 12/1975 Klemm ..... D7/347

(Continued)

**FOREIGN PATENT DOCUMENTS**

- CA 70270 \* 3/1992
- CA 110563 6/2007
- GB 4021427 \* 10/2011

**OTHER PUBLICATIONS**

Portable Pressure Washer Offers High Temperature Cleaning, Announced Mar. 25, 2011, [Site Visited Mar. 11, 2015] <http://news.thomasnet.com/fullstory/portable-pressure-washers-offer-high-temperature-cleaning-593751>.\*

(Continued)

*Primary Examiner* — Eric Goodman  
*Assistant Examiner* — Luqman McNeil  
(74) *Attorney, Agent, or Firm* — Sheridan Ross P.C.

(57) **CLAIM**  
The ornamental design for a pressure washer, as shown and described.

(56) **References Cited**

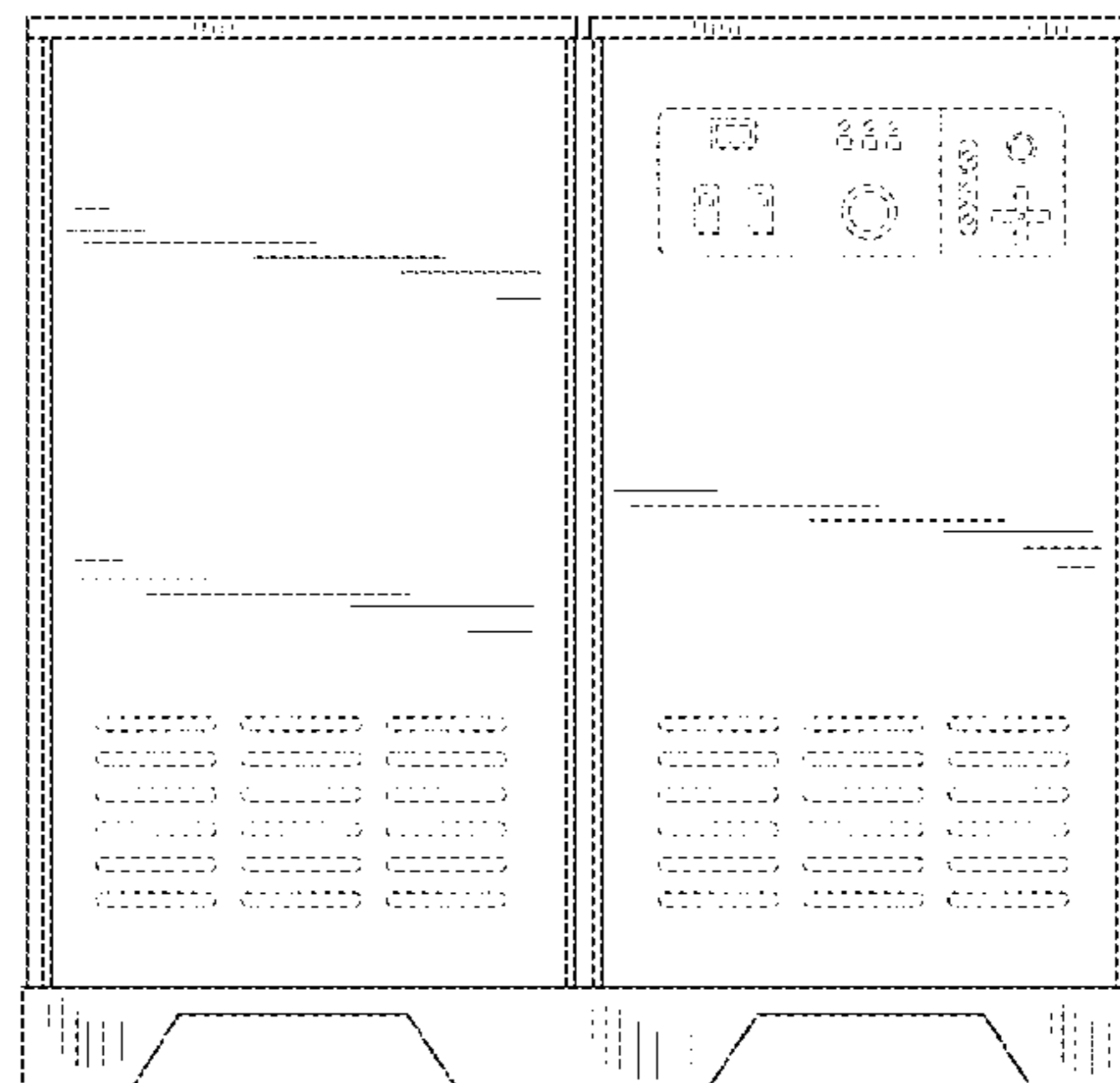
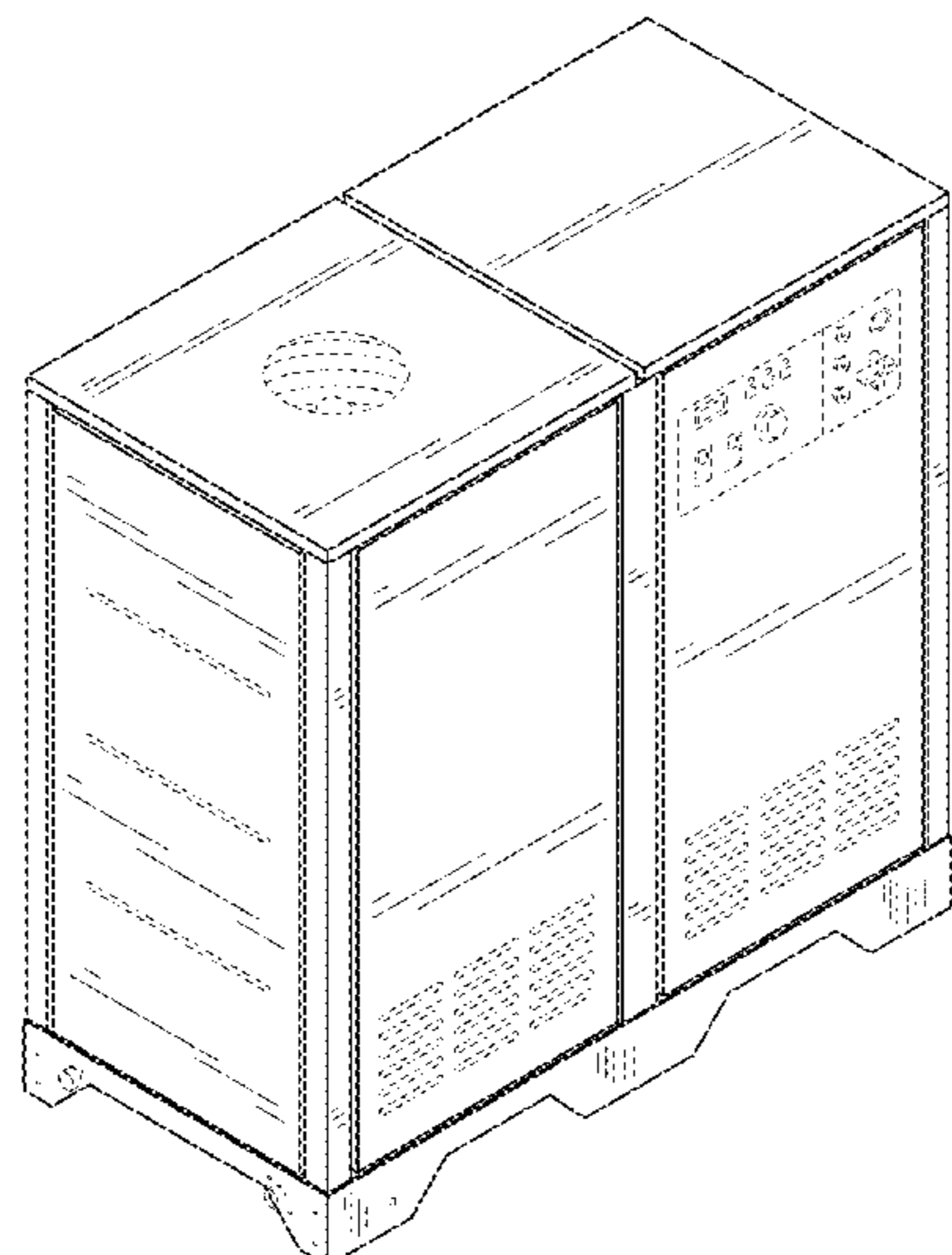
**U.S. PATENT DOCUMENTS**

- D42,753 S 7/1912 Hershey
- 1,866,106 A 7/1932 Herlihy
- 1,912,864 A \* 6/1933 Stannard ..... 211/27
- D117,972 S 12/1939 Failmezger
- D156,217 S 11/1949 Currie
- D156,267 S 11/1949 Paine
- 2,596,074 A 5/1952 Hawes
- 2,628,879 A 2/1953 Schultz
- D195,992 S 8/1963 Nolte
- D204,308 S 4/1966 Lindstrom et al.
- D208,398 S 8/1967 Otto
- D208,903 S 10/1967 Zadron et al.
- D212,746 S 11/1968 Fishman

**DESCRIPTION**

FIG. 1 is a front perspective view of the pressure washer; FIG. 2 is a top plan view thereof; FIG. 3 is a front elevation view thereof; FIG. 4 is a left elevation view thereof; FIG. 5 is a right elevation view thereof; and, FIG. 6 is a rear elevation thereof. The broken lines showing a pressure washer are included for the purpose of illustrating environment and form no part of the claimed design.

**1 Claim, 4 Drawing Sheets**



(56)

References Cited

U.S. PATENT DOCUMENTS

3,940,065 A 2/1976 Ware et al.  
 D243,574 S 3/1977 Bartlett  
 D244,598 S 6/1977 Nystuen et al.  
 4,073,555 A 2/1978 Noren  
 D248,090 S \* 6/1978 Box ..... D7/615  
 D251,968 S \* 5/1979 Tucky ..... D34/19  
 D253,951 S 1/1980 Waters  
 D254,549 S 3/1980 Gentry  
 4,190,919 A 3/1980 Burford  
 D254,788 S 4/1980 Nauta  
 D255,357 S 6/1980 Brooks et al.  
 D256,078 S \* 7/1980 Croyle et al. .... D7/629  
 D261,423 S 10/1981 Geissler  
 D270,181 S 8/1983 Haas  
 D274,851 S \* 7/1984 Schmitz ..... D32/15  
 D279,977 S 8/1985 Bonazelli  
 D281,632 S \* 12/1985 Yang ..... D32/15  
 D283,066 S 3/1986 Maier  
 D287,171 S 12/1986 Berfield et al.  
 D287,655 S 1/1987 Schmitz  
 D288,017 S \* 1/1987 Linton ..... D32/1  
 D288,433 S 2/1987 Picchietti, Sr.  
 D297,578 S \* 9/1988 Brightbill et al. .... D32/1  
 D301,779 S 6/1989 Giles et al.  
 D306,223 S \* 2/1990 Muirhead et al. .... D32/1  
 D306,785 S 3/1990 Soto  
 D314,648 S 2/1991 Linton  
 D321,644 S 11/1991 Katada et al.  
 D341,008 S 11/1993 Berfield et al.  
 D341,450 S \* 11/1993 Tinius ..... D32/15  
 5,299,767 A 4/1994 Simpson  
 D354,753 S \* 1/1995 Turner et al. .... D15/7  
 D357,056 S \* 4/1995 Linton et al. .... D23/200  
 D357,728 S 4/1995 Carano  
 D360,790 S 8/1995 Landis, II et al.  
 D374,316 S 10/1996 Niemela et al.  
 D375,590 S 11/1996 Steinhart et al.  
 D381,393 S 7/1997 Carano  
 D392,158 S \* 3/1998 Maddux ..... D7/601  
 D393,128 S \* 3/1998 Maddux ..... D34/14  
 D406,417 S 3/1999 Linton et al.  
 D444,279 S 6/2001 Kristiansen et al.  
 6,279,838 B1 8/2001 Sivells et al.  
 D480,629 S 10/2003 Cabrera  
 D482,828 S 11/2003 Storer et al.  
 D524,007 S \* 6/2006 Palmer ..... D34/19  
 D525,000 S \* 7/2006 Williams et al. .... D32/15  
 D529,670 S 10/2006 Hendy

D533,321 S 12/2006 Peng  
 7,293,785 B2 \* 11/2007 Bush et al. .... 280/47.34  
 7,316,286 B2 1/2008 Hillary  
 D570,058 S 5/2008 Watson et al.  
 D572,059 S 7/2008 Richardson et al.  
 D572,212 S \* 7/2008 Taylor et al. .... D13/184  
 D575,911 S \* 8/2008 Greenidge et al. .... D32/1  
 D581,058 S 11/2008 Elkerbout  
 7,562,897 B1 \* 7/2009 Sherman et al. .... 280/651  
 D608,070 S \* 1/2010 Brown et al. .... D34/19  
 D615,257 S 5/2010 Helm  
 7,871,090 B2 1/2011 Staub  
 D642,317 S 7/2011 Rashidi  
 2004/0118742 A1 \* 6/2004 Shuert ..... 206/600  
 2006/0119060 A1 \* 6/2006 Sullivan et al. .... 280/79.11

OTHER PUBLICATIONS

Pressure Washer CW Belt drive Models, Announced Mar. 26, 2012, [Site Visited Mar. 11, 2015 ] <http://www.hydrotek.us/series-cncw.htm>.\*

Hotsy 1700 Series Hotsy Cold Water Washers Are Electric Powered, and Can Be Mounted on a Wall or a Stand, Announced Apr. 8, 2008, [Site Visited 03/11/2015 ] <http://www.hotsypacific.net/1700-Series.aspx>.\*

U.S. Appl. No. 29/451,607, filed Apr. 4, 2013, Taylor et al.  
 U.S. Appl. No. 29/451,608, filed Apr. 4, 2013, Taylor et al.  
 "Hot Box Series," Power Washers Unlimited, Oct. 2007, 1 page [retrieved from: [http://propowerwashers.com/hot\\_box.html](http://propowerwashers.com/hot_box.html)].  
 "The NorthStar Wet Steam and Hot Water 30000psi Pressure Washer," Pressure Washer Reviews, Mar. 24, 2011, 1 page [retrieved from: [www.pressurewasher-steamcleaner.com/honda-pressure-washer.html](http://www.pressurewasher-steamcleaner.com/honda-pressure-washer.html)].  
 "Hotsy 5700/5800 Series Hot Water Pressure Washers," hotsy, wayback date Dec. 7, 2011, 3 pages [retrieved from: <http://web.archive.org/web/20111207011001/http://hotsy.com/ViewCategories.aspx?Cid=556>].  
 Karcher Product Brochure, copyright 2013, site visited Feb. 23, 2015, [http://www.alklean.com/images/Hotsy/HO\\_hot/900\\_1400\\_Series\\_2014.pdf](http://www.alklean.com/images/Hotsy/HO_hot/900_1400_Series_2014.pdf), 4 pages.  
 Notice of Allowance for U.S. Appl. No. 29/451,608, mailed Jan. 7, 2015 13 pages.  
 "Landa Pressure Washer Brochure," Landa, 2008, 2 pages [retrieved from: <http://www.socleaningproducts.com/docs/Products-Sheet/Landa/VNGSeries.pdf>].  
 Official Action for U.S. Appl. No. 29/451,607, mailed Mar. 6, 2015 8 pages.

\* cited by examiner

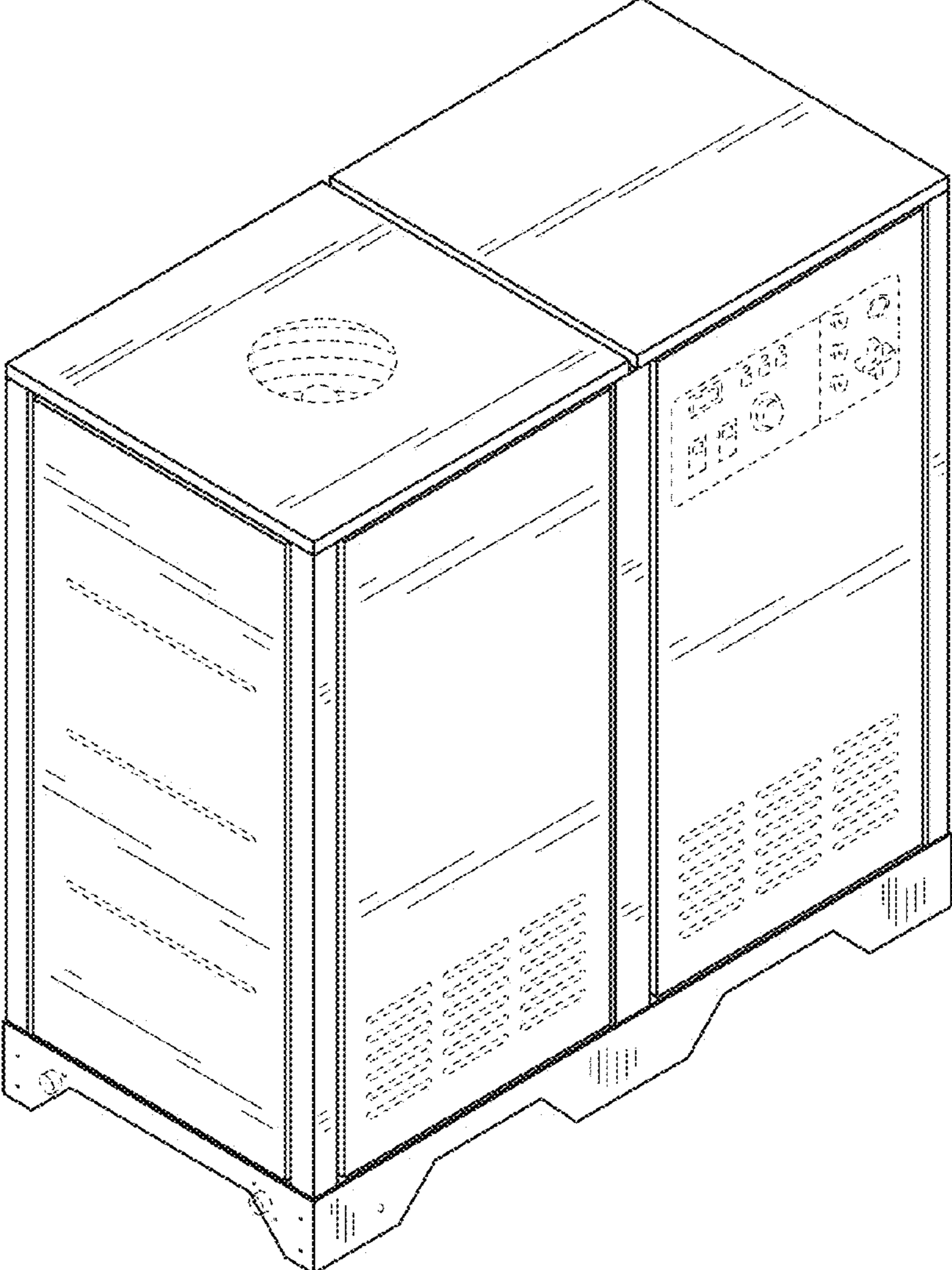


FIG.1

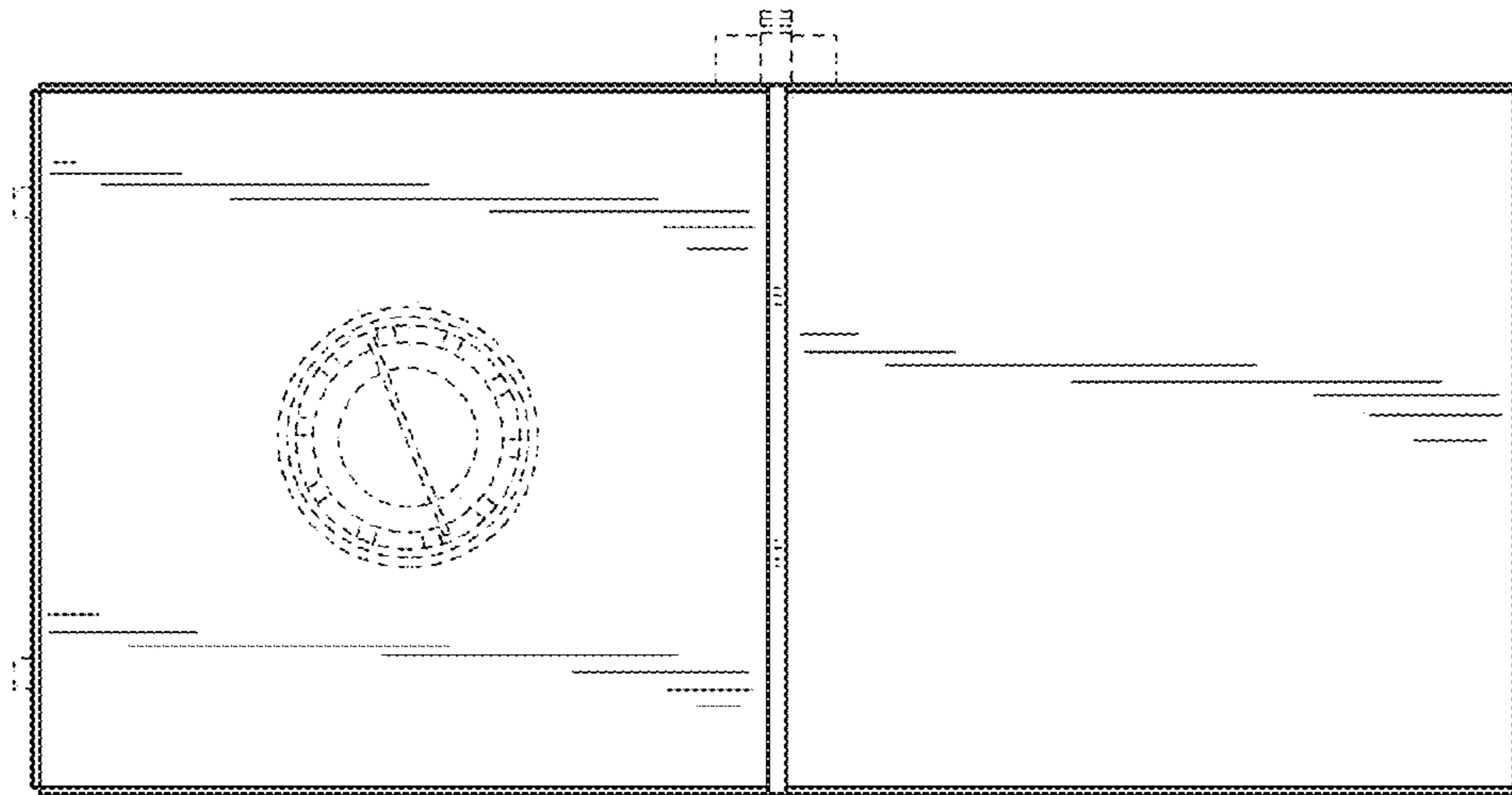


FIG. 2

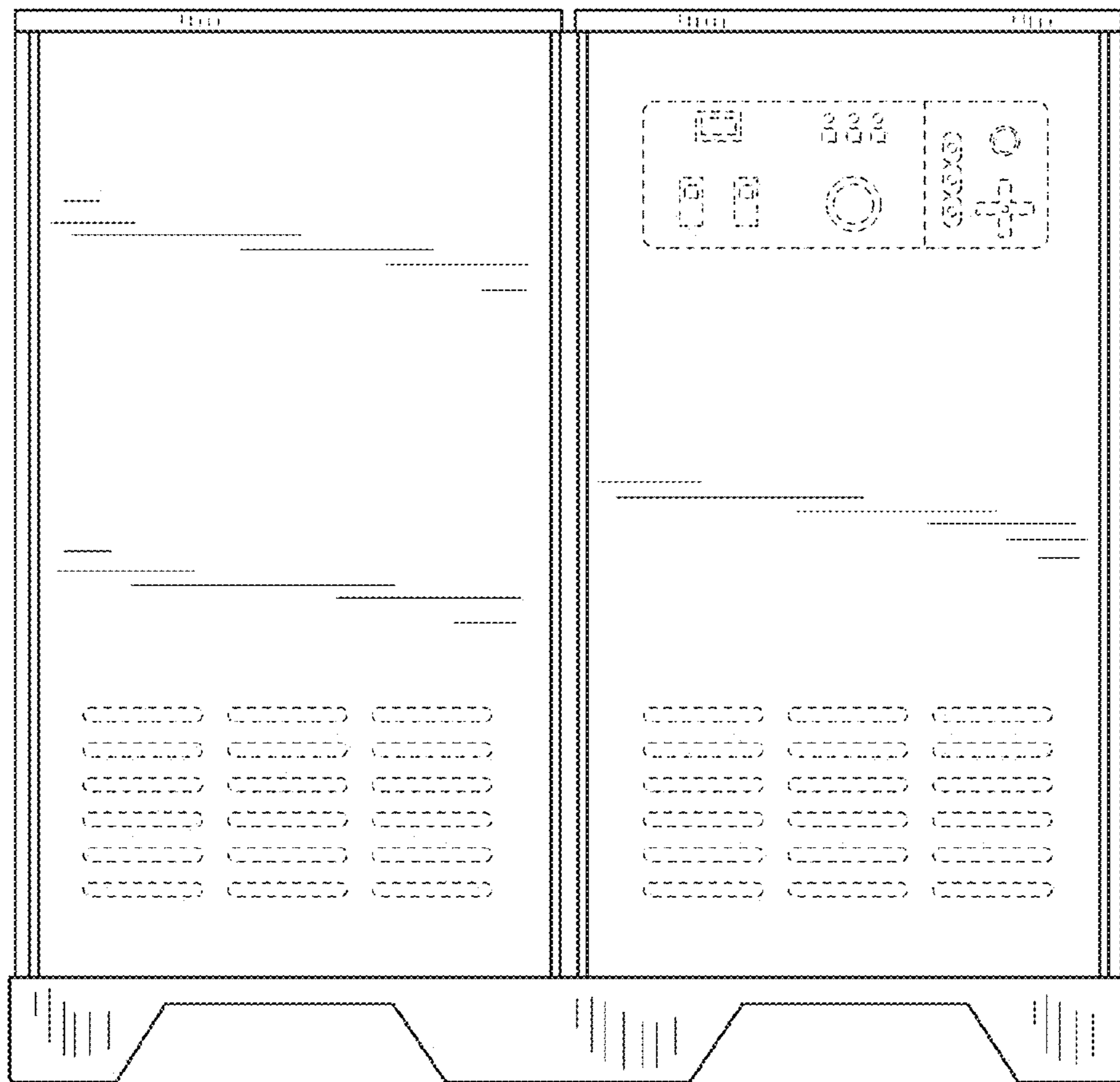


FIG. 3

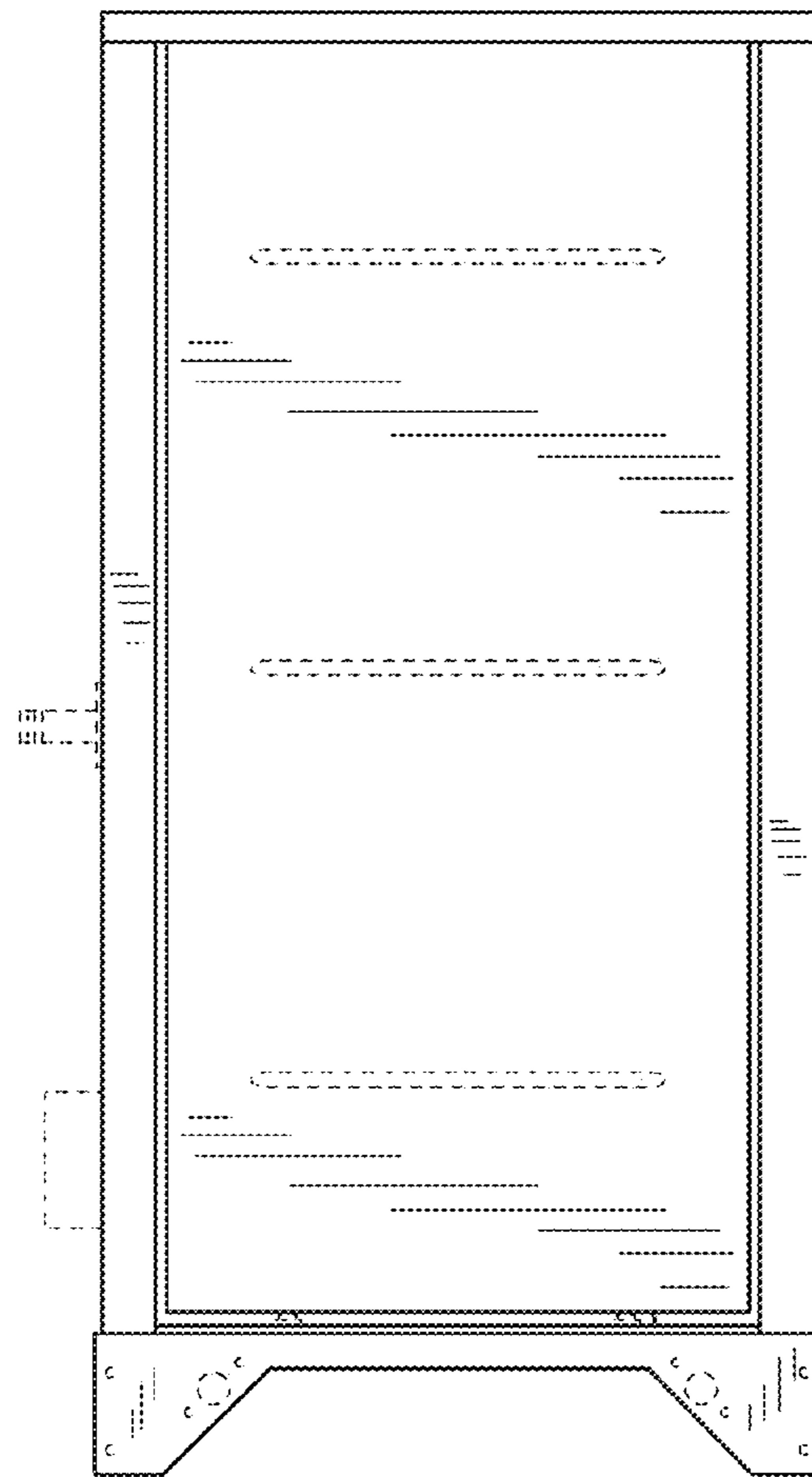


FIG.4

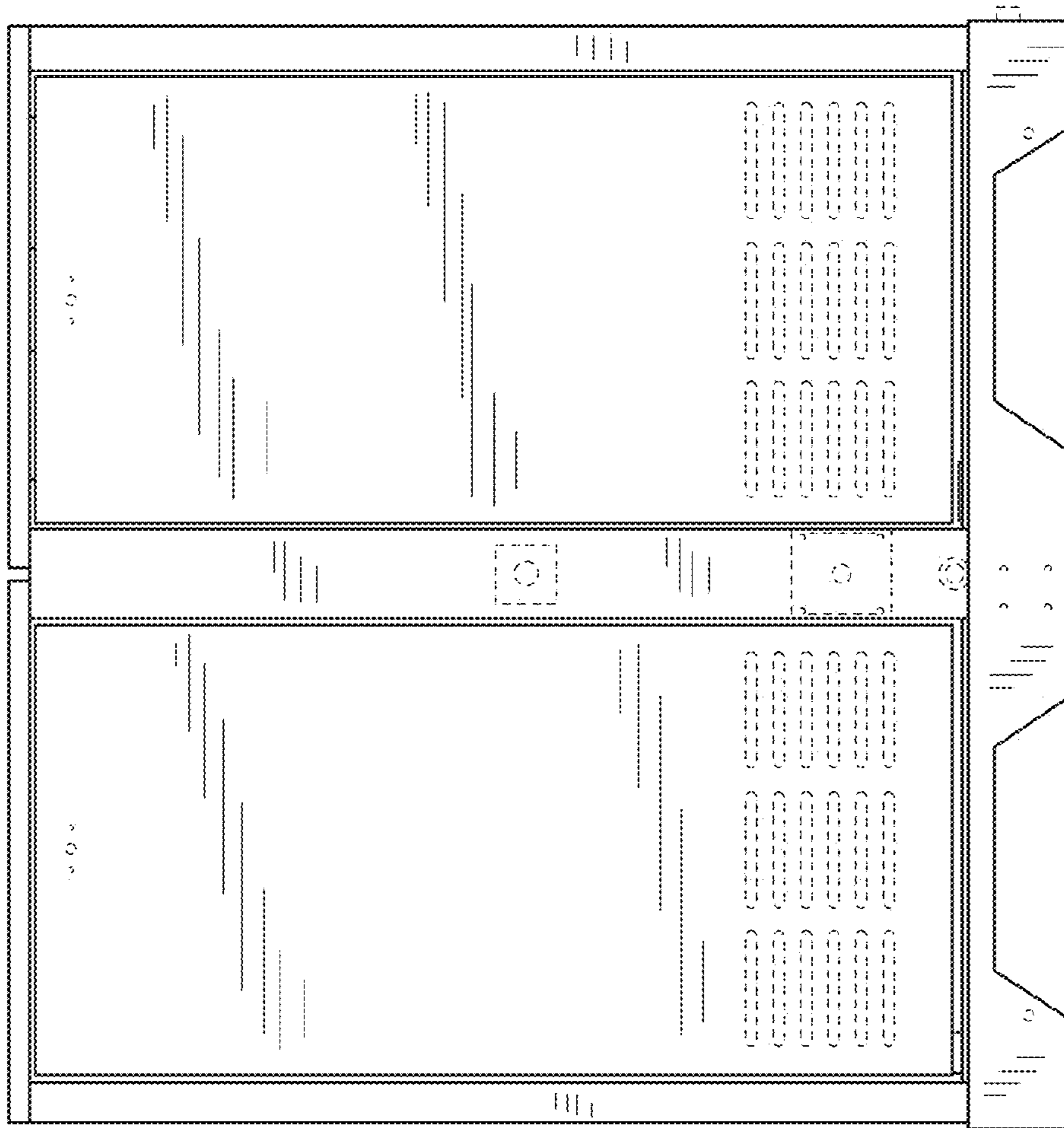


FIG. 5

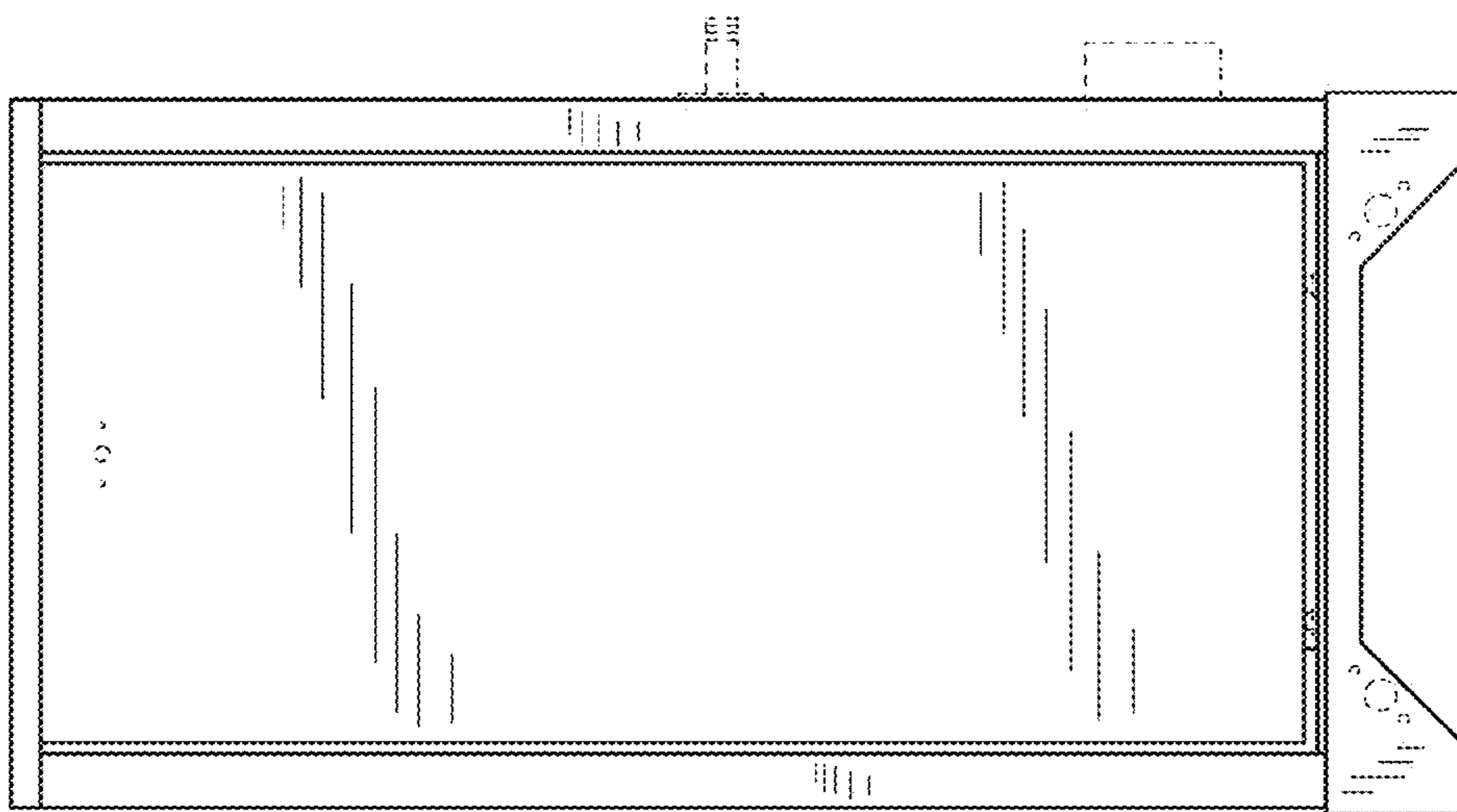


FIG. 6