



US00D735958S

(12) **United States Design Patent**  
**Koptis**

(10) **Patent No.:** **US D735,958 S**

(45) **Date of Patent:** **\*\* Aug. 4, 2015**

(54) **SHOE POLISHER**

FOREIGN PATENT DOCUMENTS

(71) Applicant: **Kurt Koptis**, Auburn, CA (US)

CN 3324459 \* 9/2003

(72) Inventor: **Kurt Koptis**, Auburn, CA (US)

CN 3355618 \* 3/2004

(\*\*) Term: **14 Years**

CN 3324453 \* 9/2004

CN 301402821 \* 12/2010

EM 000089008-0002 \* 2/2004

(21) Appl. No.: **29/471,174**

OTHER PUBLICATIONS

(22) Filed: **Oct. 29, 2013**

Amazon.com—Buff N Shine Shoe Polisher oldest review date Nov. 5, 2012, online, <http://www.amazon.com/BUFF-N-SHINE-SHOE-POLISHER/dp/B0026K72AS>, [site visited Mar. 17, 2015 6:16:05 PM].\*

(51) **LOC (10) Cl.** ..... **15-05**

Automatic Shoe Polisher, China Wholesale Automatic Shoe Polisher, upload date Feb. 2, 2015, online, <http://www.oempromo.com/product/Kits-Shoe-Shine/A/Automatic-Shoe-Polisher-96113.htm>, [site visited Mar. 17, 2015 6:10:11 PM].\*

(52) **U.S. Cl.**

USPC ..... **D32/14.1**

(58) **Field of Classification Search**

USPC ..... D32/14.1, 19, 46–49; D4/101–102,  
D4/106, 109, 111, 119, 127, 137, 114,  
D4/122; 15/105, 112, 117, 28, 30–38, 227,  
15/237, 257.05; D15/124; D8/70, 90, 68;  
D9/771, 725

Automatic Shoe Polisher, post date Apr. 9, 2013, online, <http://bizmartresources.blogspot.com/>, [site visited Mar. 17, 2015 6:07:30 PM].\*

Rain water drops Stock Photo © Kesu01 #6065943, pub date Aug. 4, 2011, <http://depositphotos.com/6065943/stock-photo-rain-water-drops.html?sq=41guyr&sst=0>, [site visited Mar. 17, 2015 6:55:54 PM].\*

See application file for complete search history.

\* cited by examiner

(56) **References Cited**

U.S. PATENT DOCUMENTS

1,512,292	A	*	10/1924	McGuire	.....	401/176
D78,033	S	*	3/1929	Lewis	.....	D32/14.1
D199,115	S	*	9/1964	Wedemeyer	.....	D4/102
D200,293	S	*	2/1965	Polatchek	.....	D4/102
D228,616	S	*	10/1973	Tomo	.....	D8/62
D259,076	S	*	5/1981	Doyel	.....	D4/102
D290,551	S	*	6/1987	Huen	.....	D4/102
D300,185	S	*	3/1989	Suzuki	.....	D4/102
D301,398	S	*	6/1989	Cheung	.....	D4/102
D305,480	S	*	1/1990	Yuen	.....	D4/102
D308,476	S	*	6/1990	Rosenberg	.....	D9/725
D321,596	S	*	11/1991	Zierhut	.....	D4/114
D324,310	S	*	3/1992	Barman	.....	D4/106
D332,914	S	*	2/1993	Stephens	.....	D9/526
D368,343	S	*	3/1996	Gebhard et al.	.....	D32/35
D401,144	S	*	11/1998	Ohara	.....	D9/725
D416,388	S	*	11/1999	Koptis	.....	D4/114
D517,811	S	*	3/2006	Daubenspeck et al.	.....	D4/102
D552,809	S	*	10/2007	Linsbichler	.....	D32/14.1
D589,257	S	*	3/2009	Van Wambeke	.....	D4/102
D660,005	S	*	5/2012	Prague et al.	.....	D4/114

*Primary Examiner* — John Windmuller

*Assistant Examiner* — John R Yeh

(74) *Attorney, Agent, or Firm* — Law Offices of David M. Lang; David M. Lang

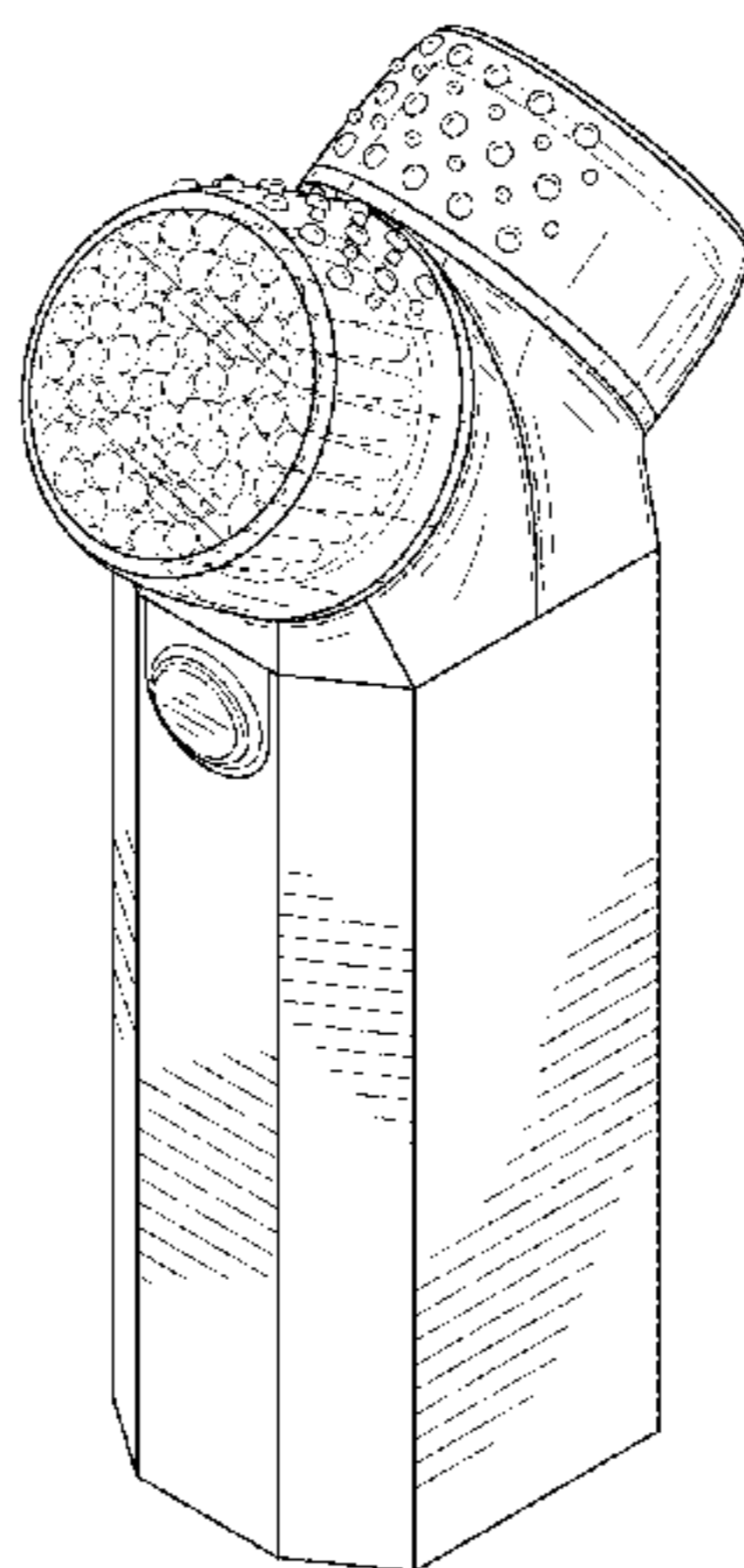
(57) **CLAIM**

The ornamental design for the shoe polisher, as shown.

**DESCRIPTION**

FIG. 1 is perspective view.  
FIG. 2 is a bottom perspective view.  
FIG. 3 is a side elevation view.  
FIG. 4 is a side elevation view.  
FIG. 5 is a front elevation view.  
FIG. 6 is a top view.  
FIG. 7 is a bottom view; and,  
FIG. 8 is an exploded view showing caps removed.

**1 Claim, 4 Drawing Sheets**



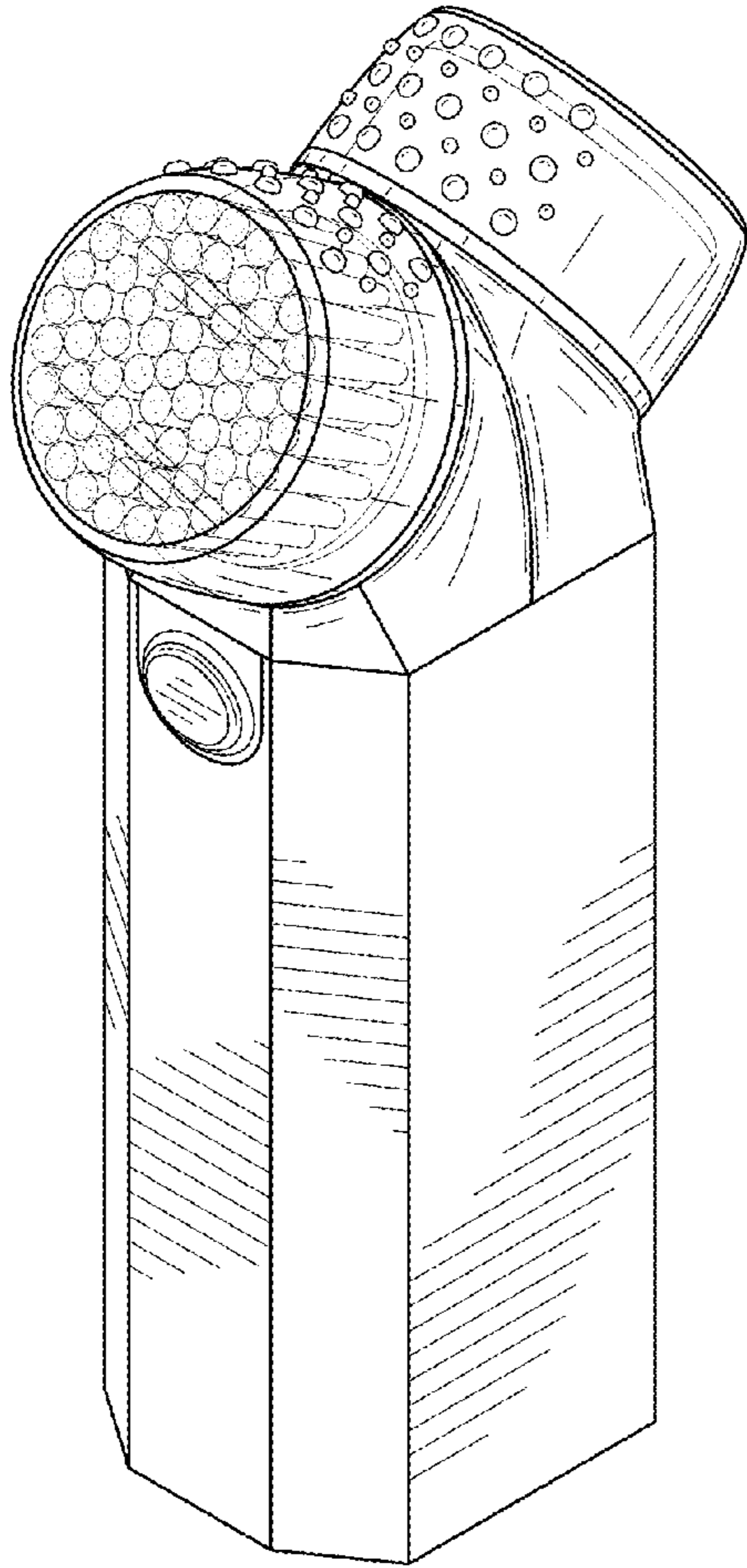


FIG. 1

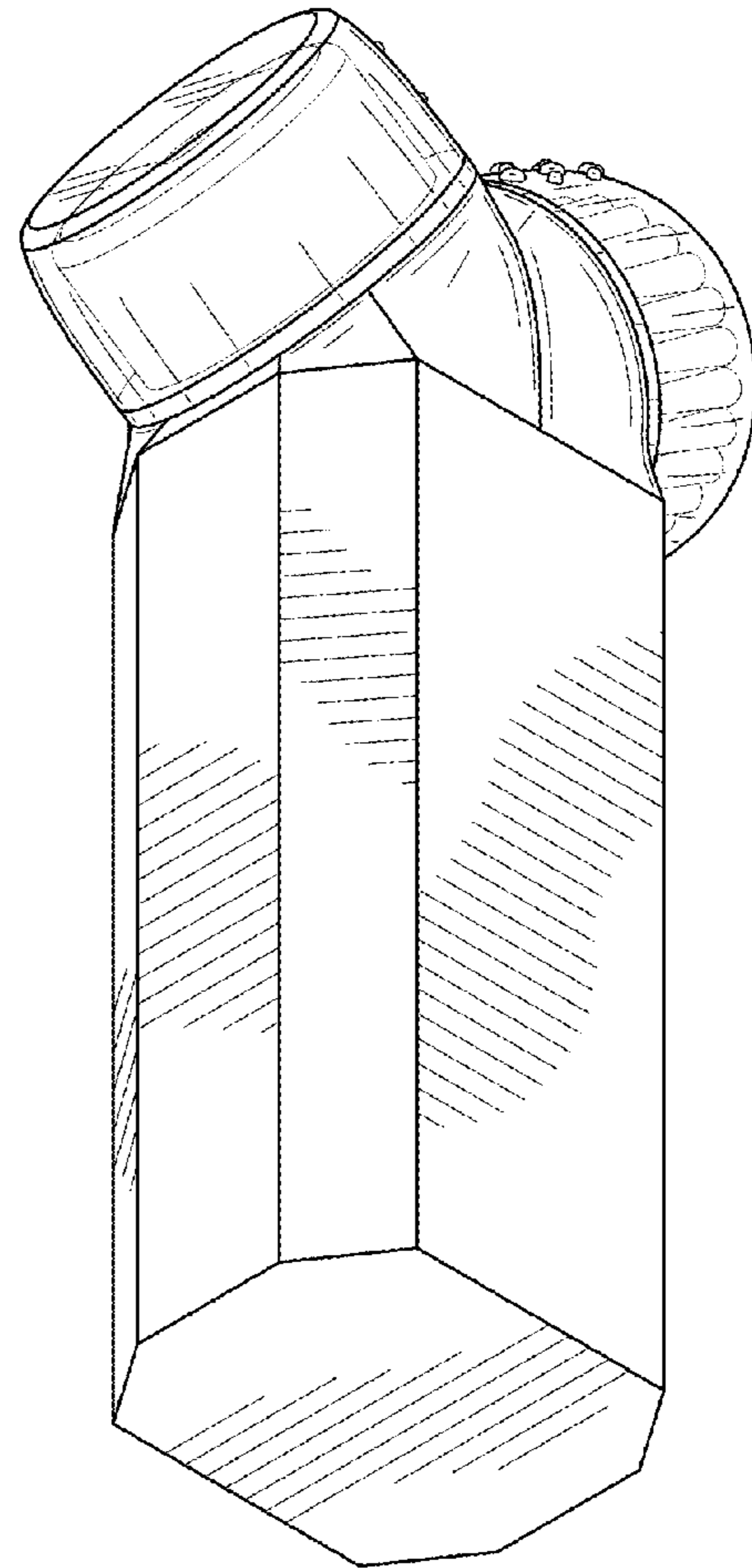


FIG. 2

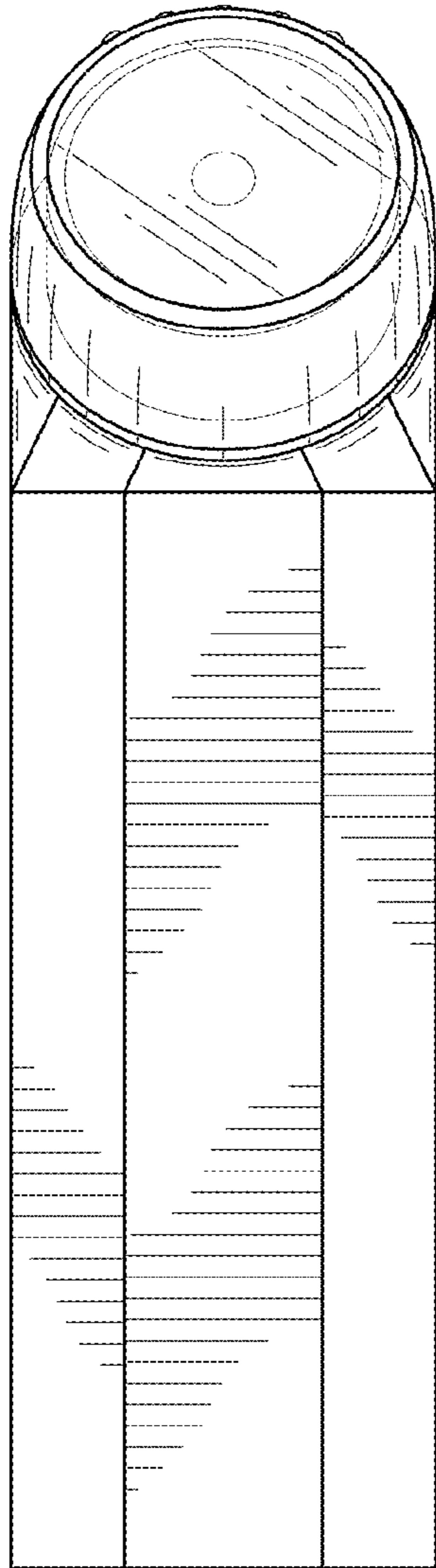


FIG. 3

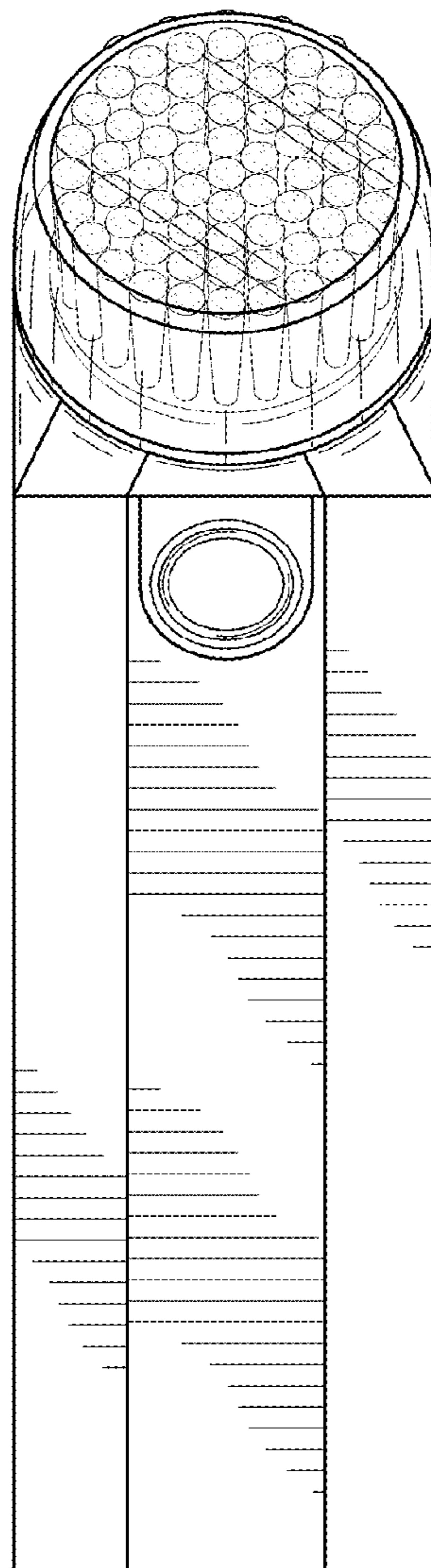


FIG. 4



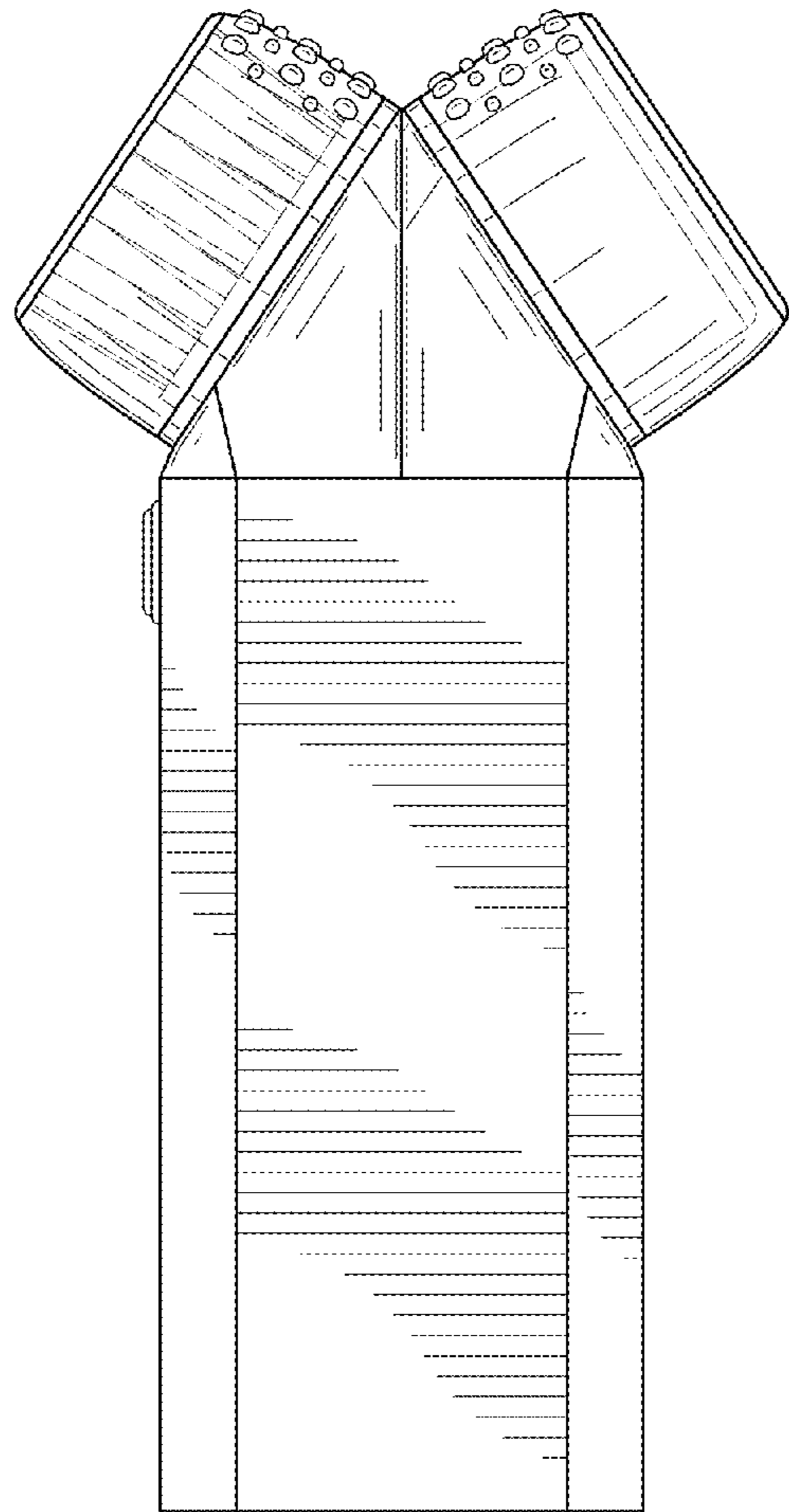


FIG. 5

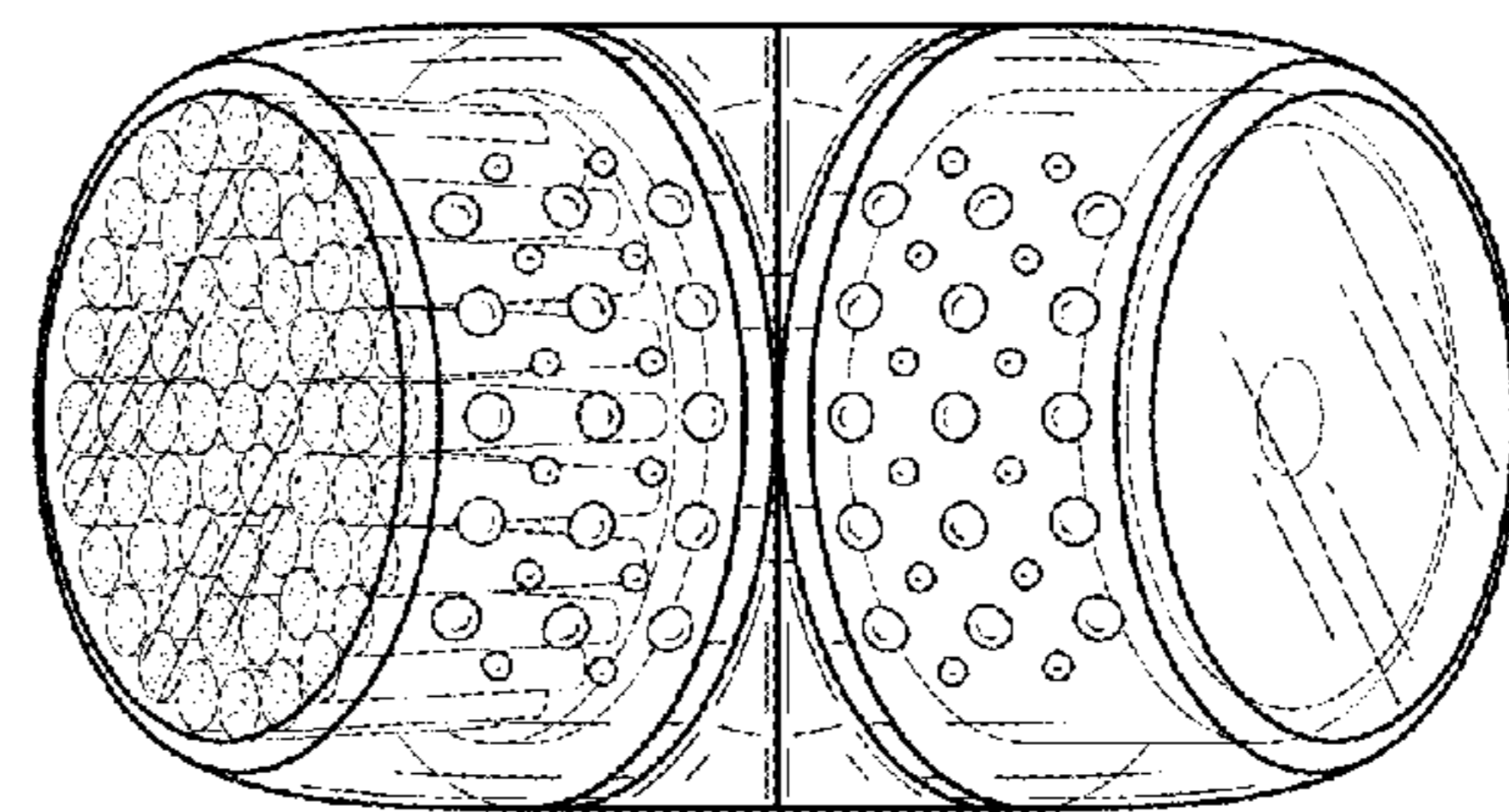


FIG. 6

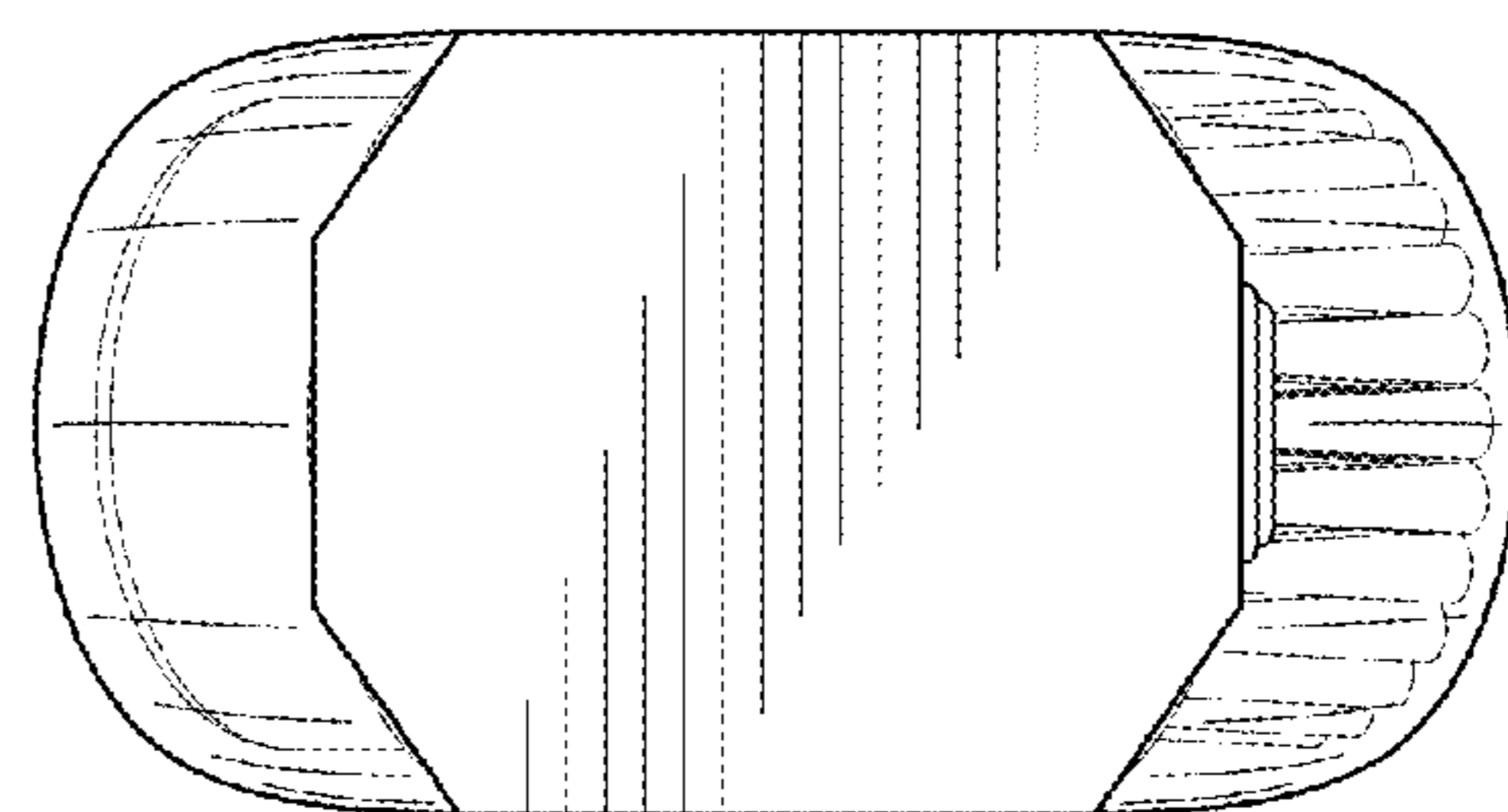


FIG. 7

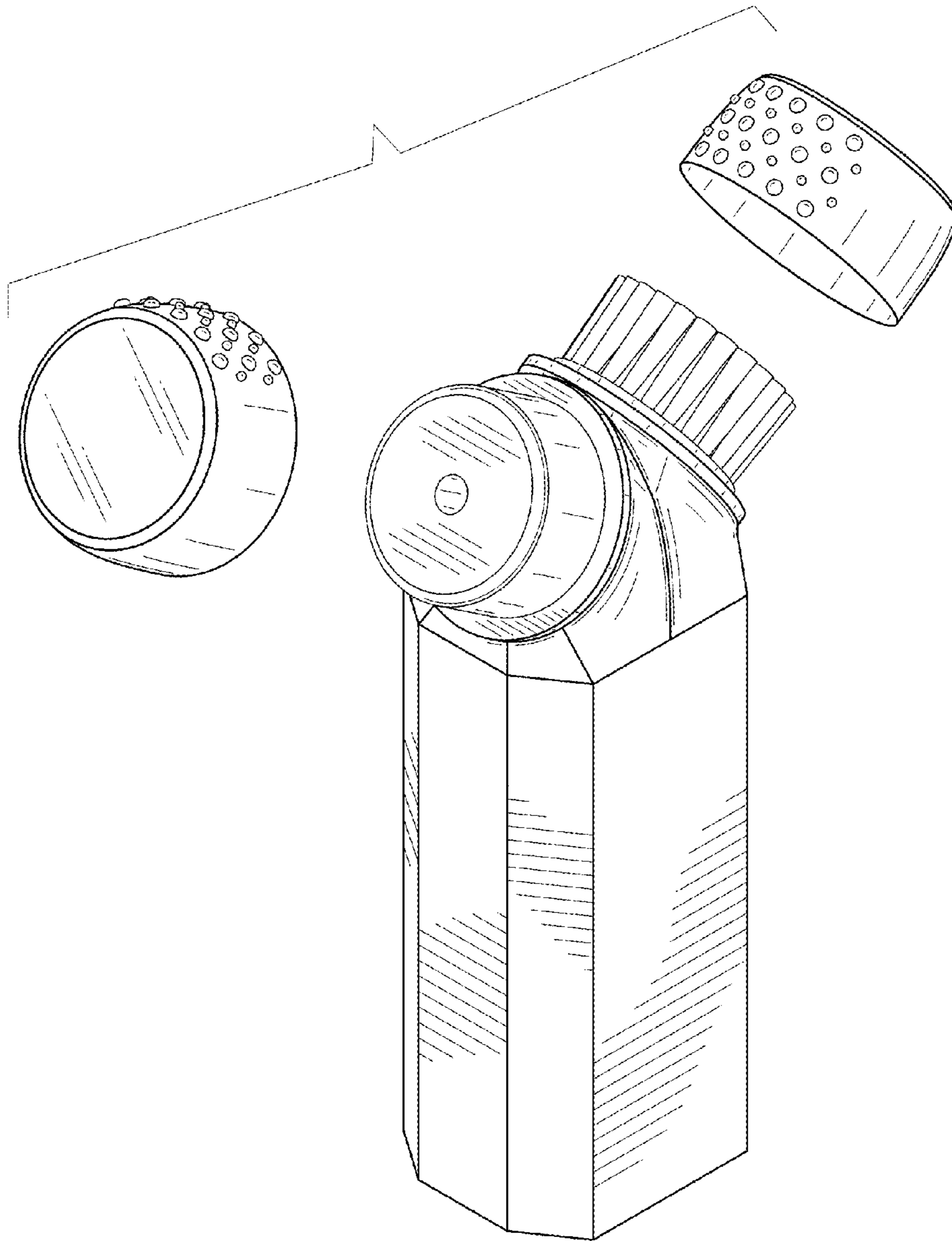


FIG. 8