

US00D735952S

(12) **United States Design Patent**
Otto

(10) **Patent No.:** **US D735,952 S**

(45) **Date of Patent:** **** *Aug. 4, 2015**

(54) **PET RESTRAINT ENCLOSURE**

(71) Applicant: **Edgar Otto**, Boca Raton, FL (US)

(72) Inventor: **Edgar Otto**, Boca Raton, FL (US)

(*) Notice: This patent is subject to a terminal disclaimer.

(**) Term: **14 Years**

(21) Appl. No.: **29/447,704**

(22) Filed: **Mar. 6, 2013**

(51) **LOC (10) Cl.** **30-02**

(52) **U.S. Cl.**
USPC **D30/108**

(58) **Field of Classification Search**
USPC D30/108-109, 112-117, 160-161;
119/452-453, 474, 481-482, 489, 491,
119/494, 496-498, 501, 513-514
See application file for complete search history.

(56) **References Cited**

U.S. PATENT DOCUMENTS

D224,796 S *	9/1972	Price	D30/160
5,791,292 A *	8/1998	Jempolsky	119/497
6,092,488 A *	7/2000	Allawas	119/497
6,131,534 A *	10/2000	Axelrod	119/499
6,539,895 B2 *	4/2003	Hoagland	119/453

7,021,242 B2 *	4/2006	Axelrod	119/496
7,201,116 B2 *	4/2007	Axelrod	119/496
7,540,109 B2 *	6/2009	Hall	43/61
D604,462 S *	11/2009	Herrndorf	D30/118
7,841,297 B2 *	11/2010	Zigan et al.	119/57.9
8,127,719 B2 *	3/2012	Jakubowski et al.	119/499
D680,696 S *	4/2013	Hammel	D30/108
2006/0174841 A1 *	8/2006	Axelrod	119/498
2007/0056524 A1 *	3/2007	Barca	119/496

* cited by examiner

Primary Examiner — Cathy A MacCormac

(74) *Attorney, Agent, or Firm* — Mark D. Bowen; Malin Haley DiMaggio & Bowen, P.A.

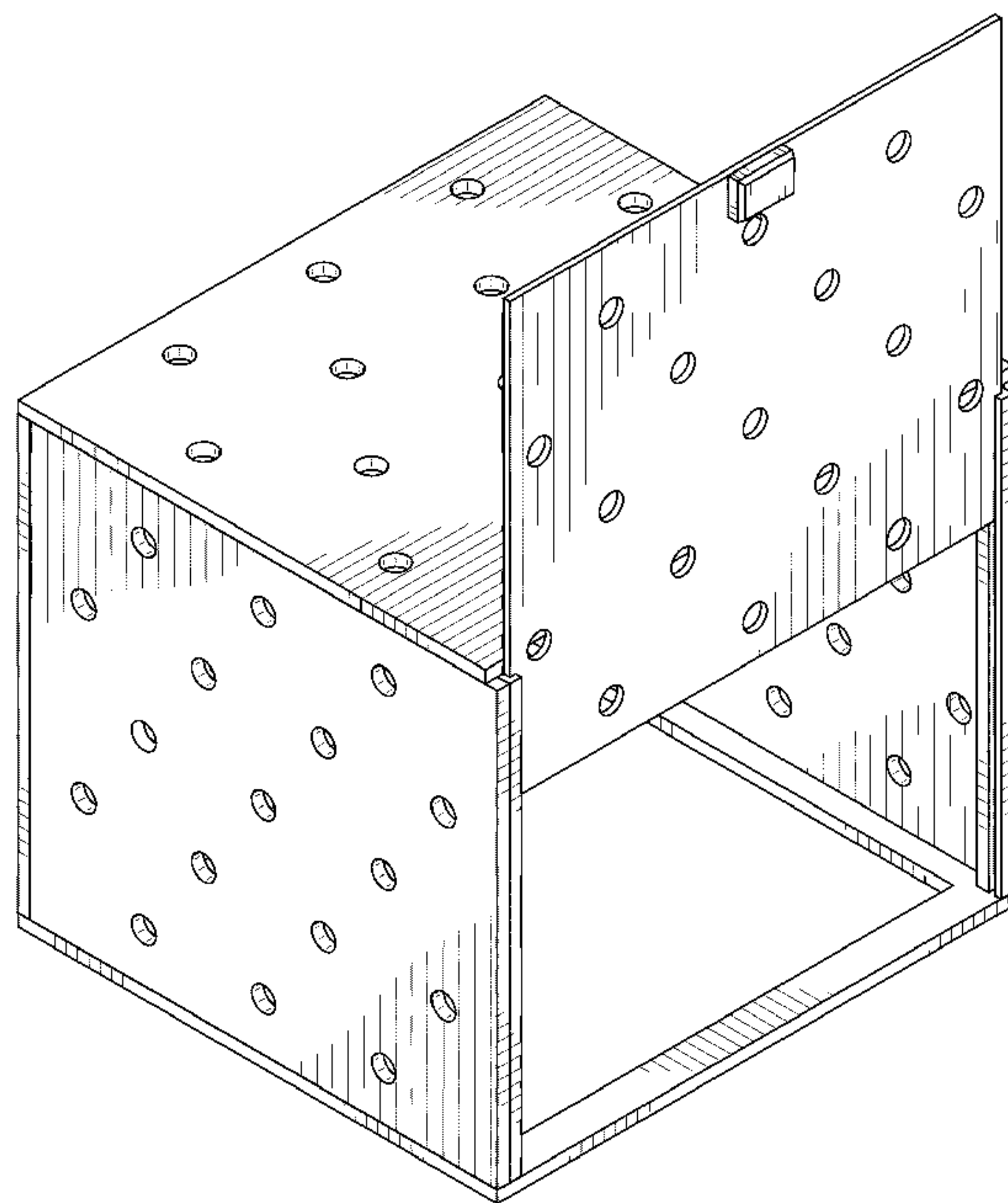
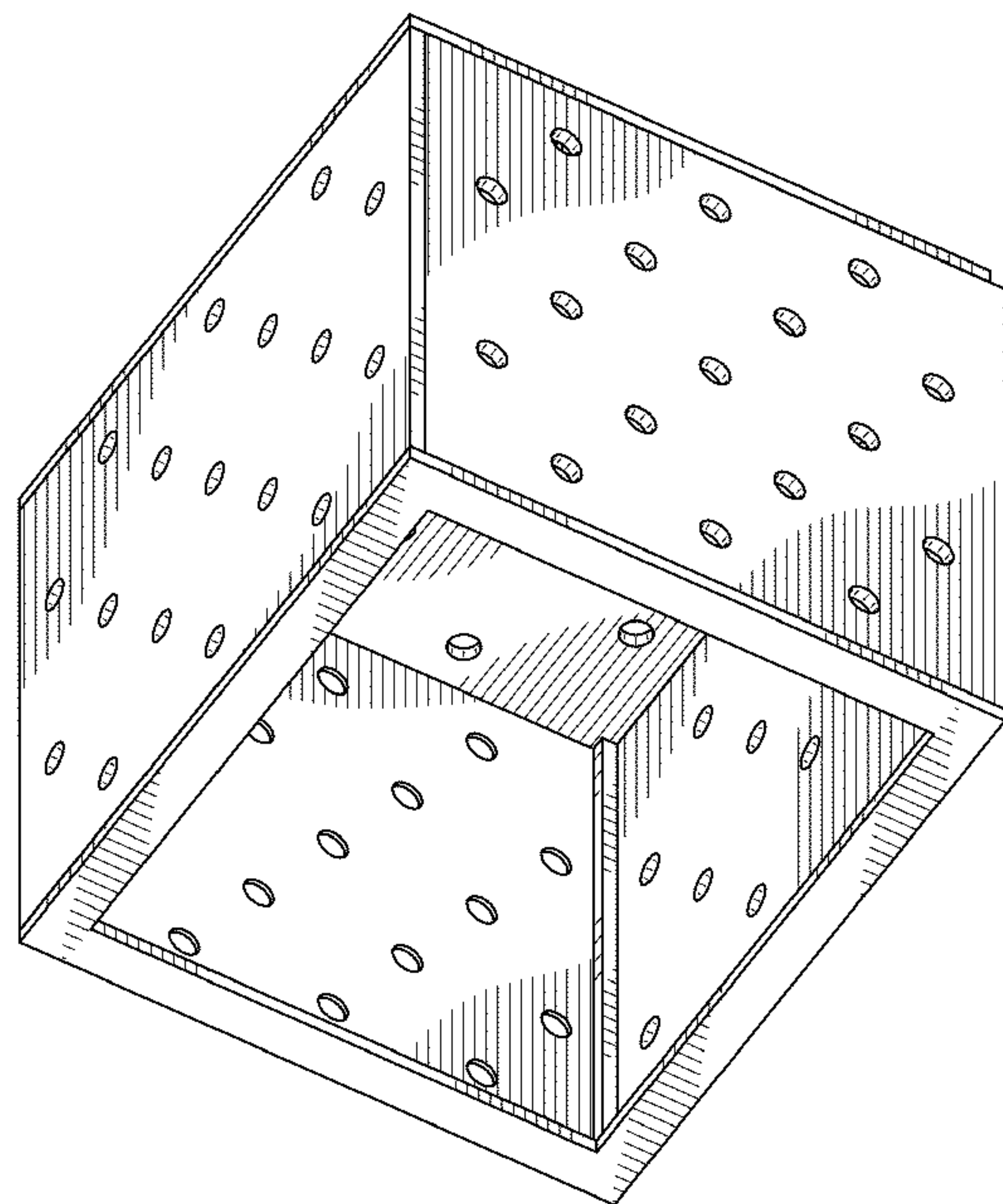
(57) **CLAIM**

The ornamental design for a pet restraint enclosure, as shown and described.

DESCRIPTION

FIG. 1 is a front perspective view of a pet restraint enclosure in accordance with the present invention;
 FIG. 2 is a bottom, right side perspective view thereof;
 FIG. 3 is a front view thereof;
 FIG. 4 is a rear view thereof;
 FIG. 5 is a top view thereof;
 FIG. 6 is a bottom view thereof;
 FIG. 7 is a left side view thereof, the right side view being a mirror image;
 FIG. 8 is a front perspective view thereof showing the access door open; and,
 FIG. 9 is a front view of FIG. 8.

1 Claim, 9 Drawing Sheets



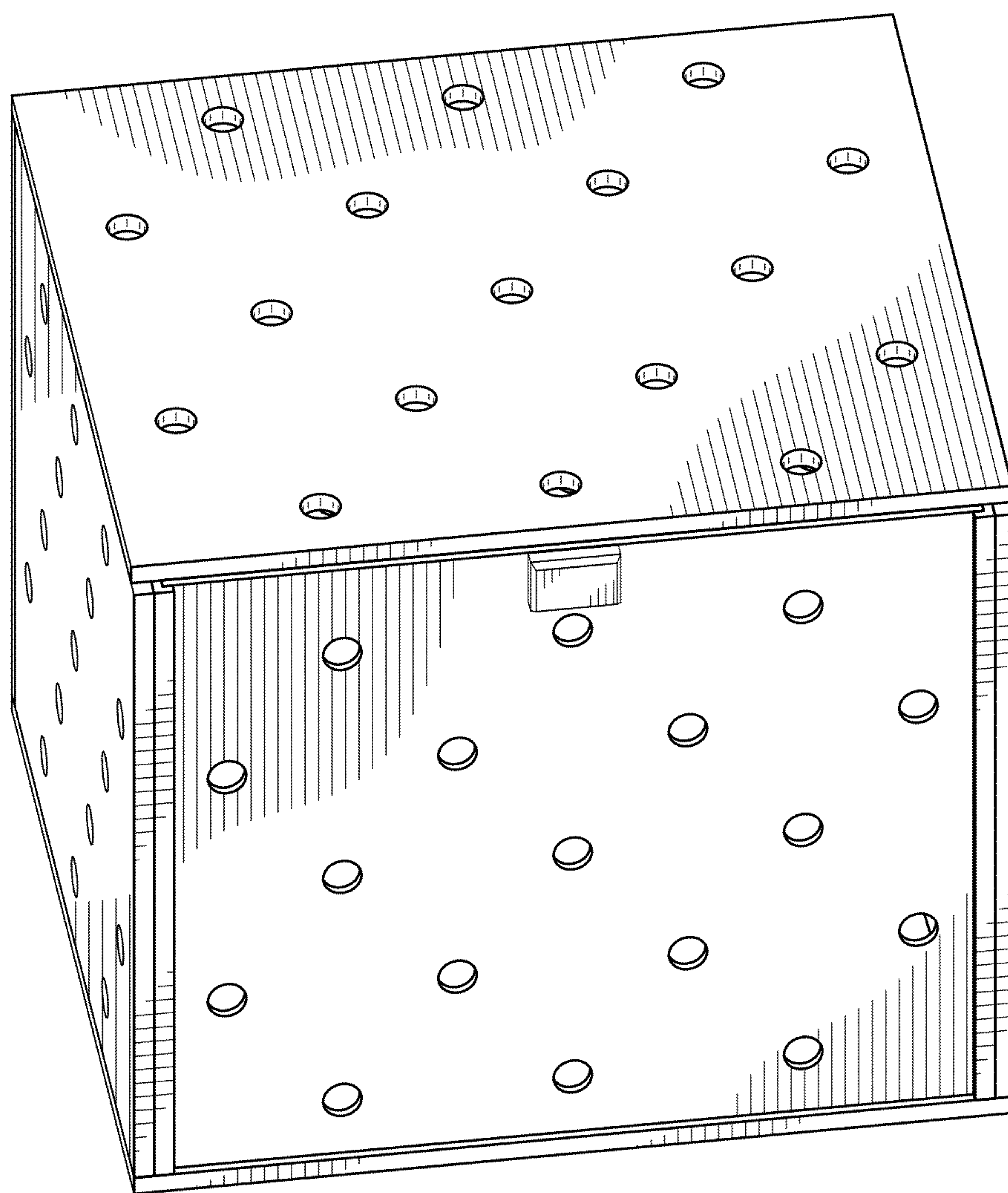


FIG. 1

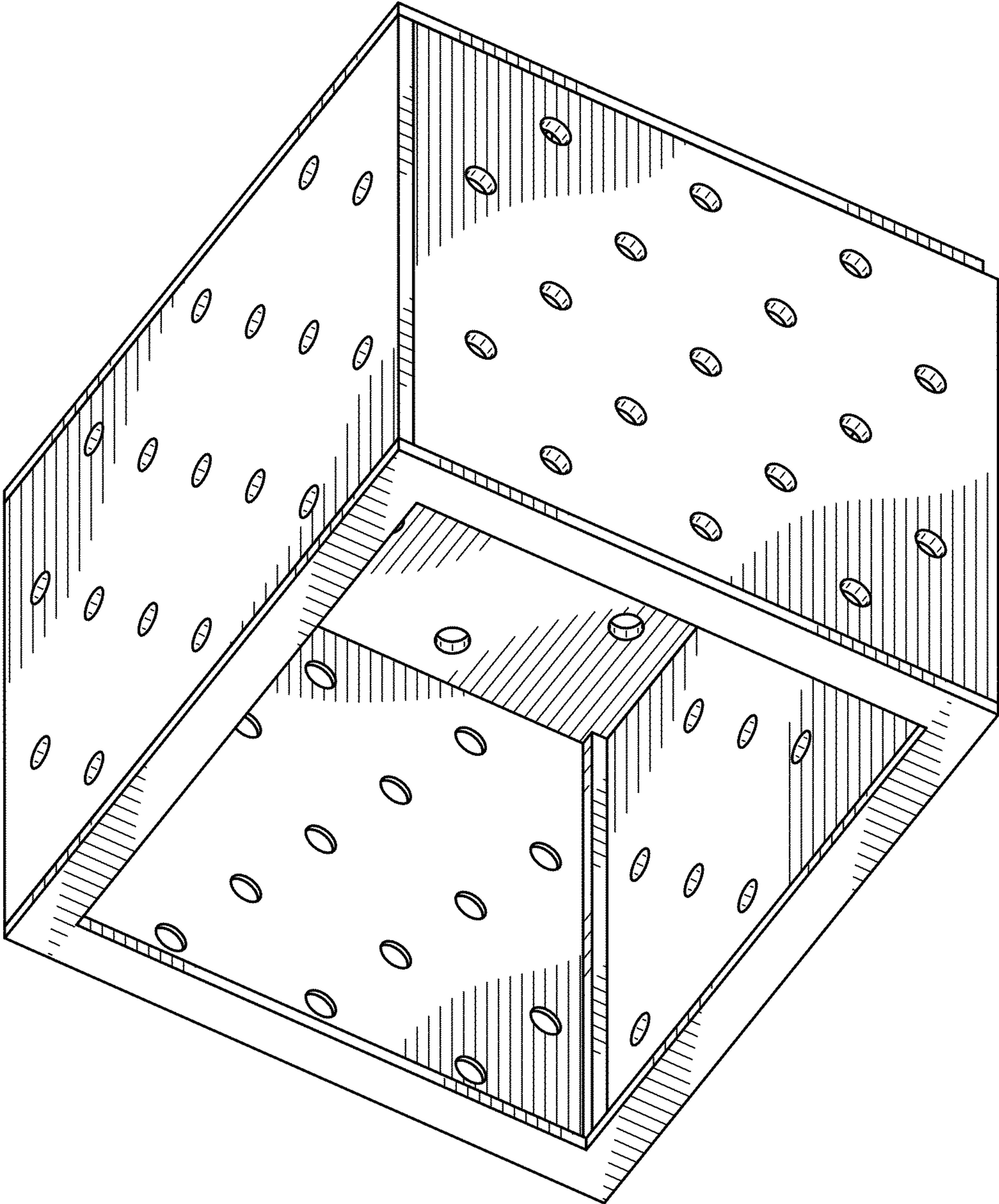


FIG. 2

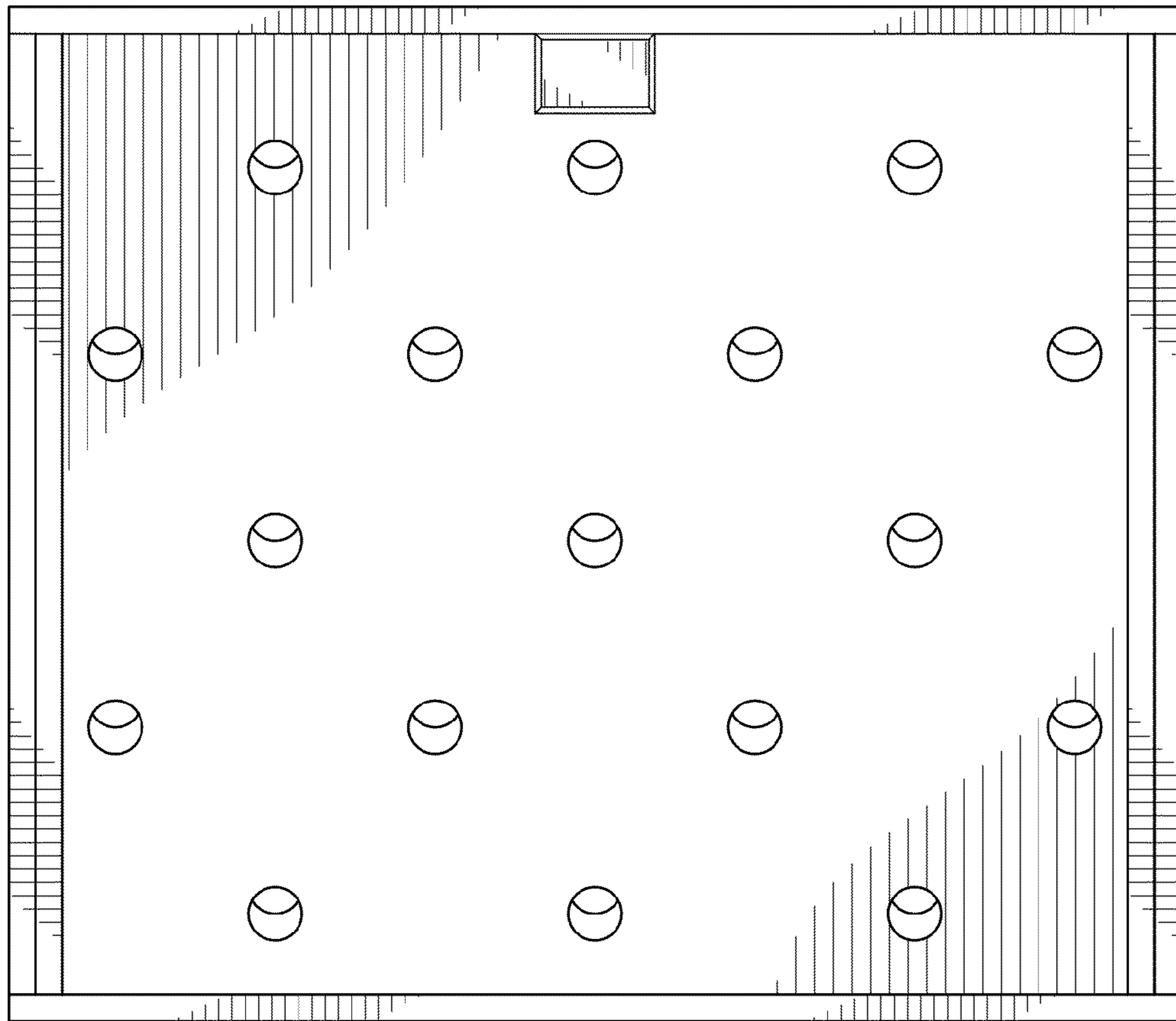


FIG. 3

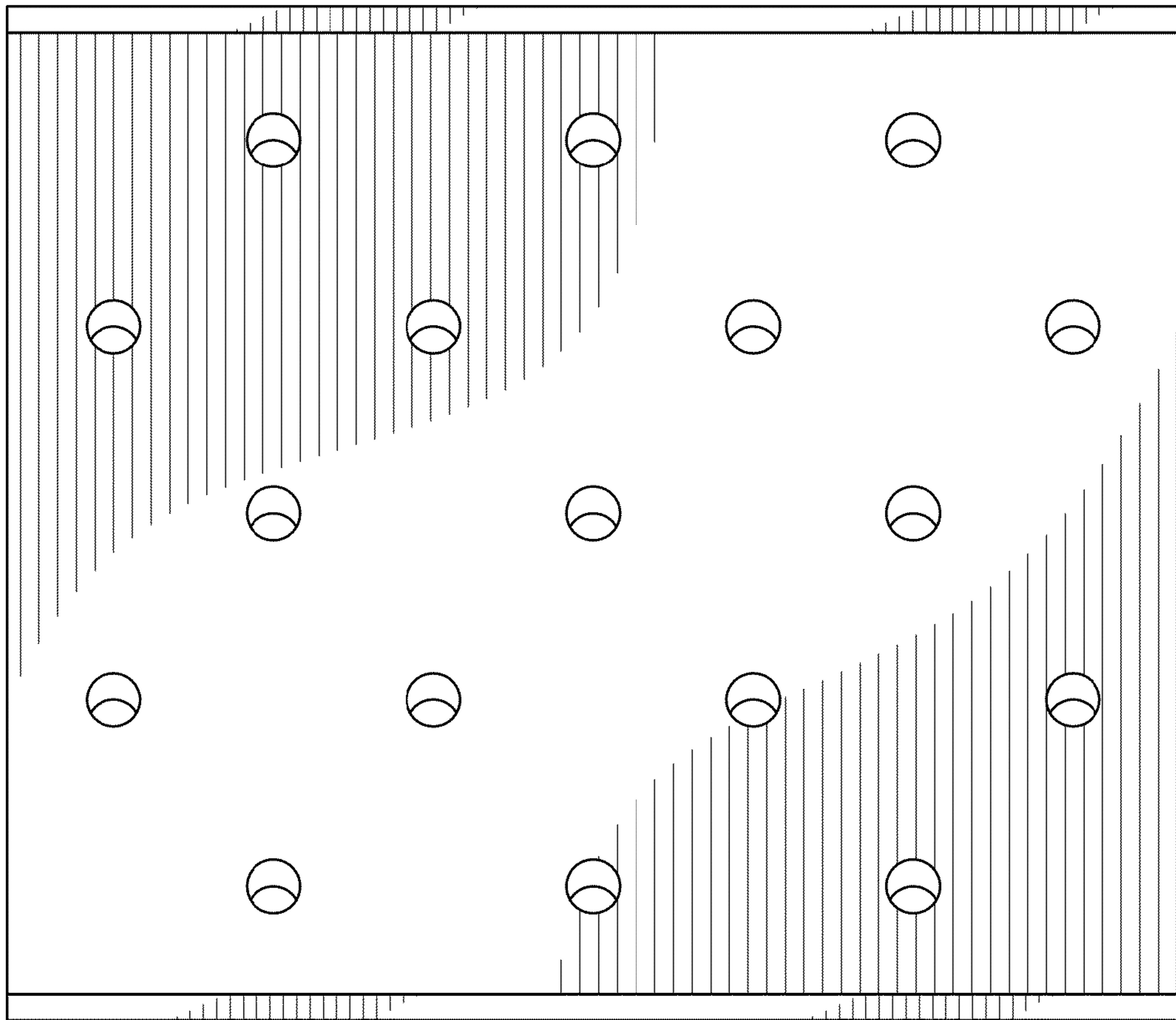


FIG. 4

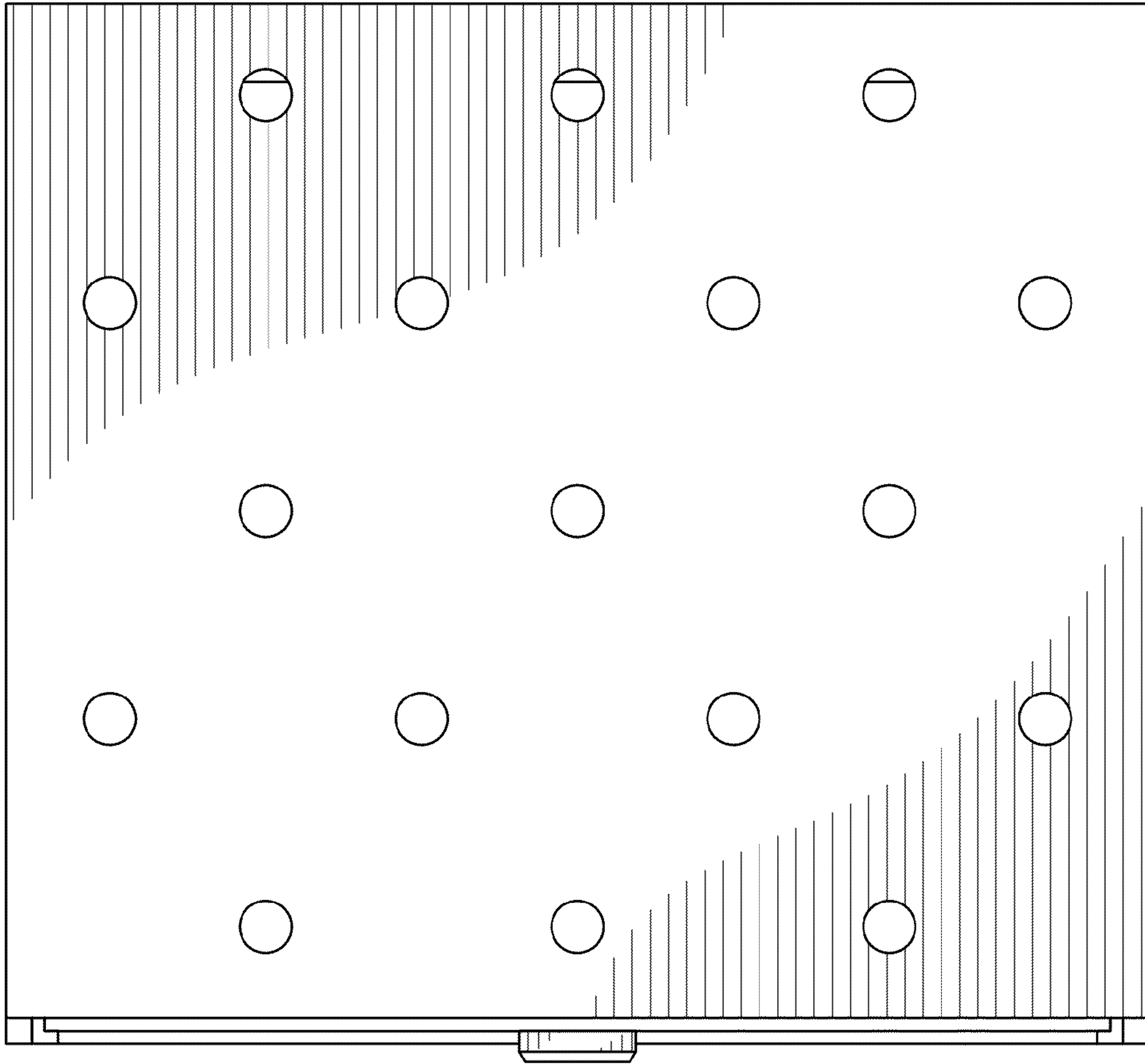


FIG. 5

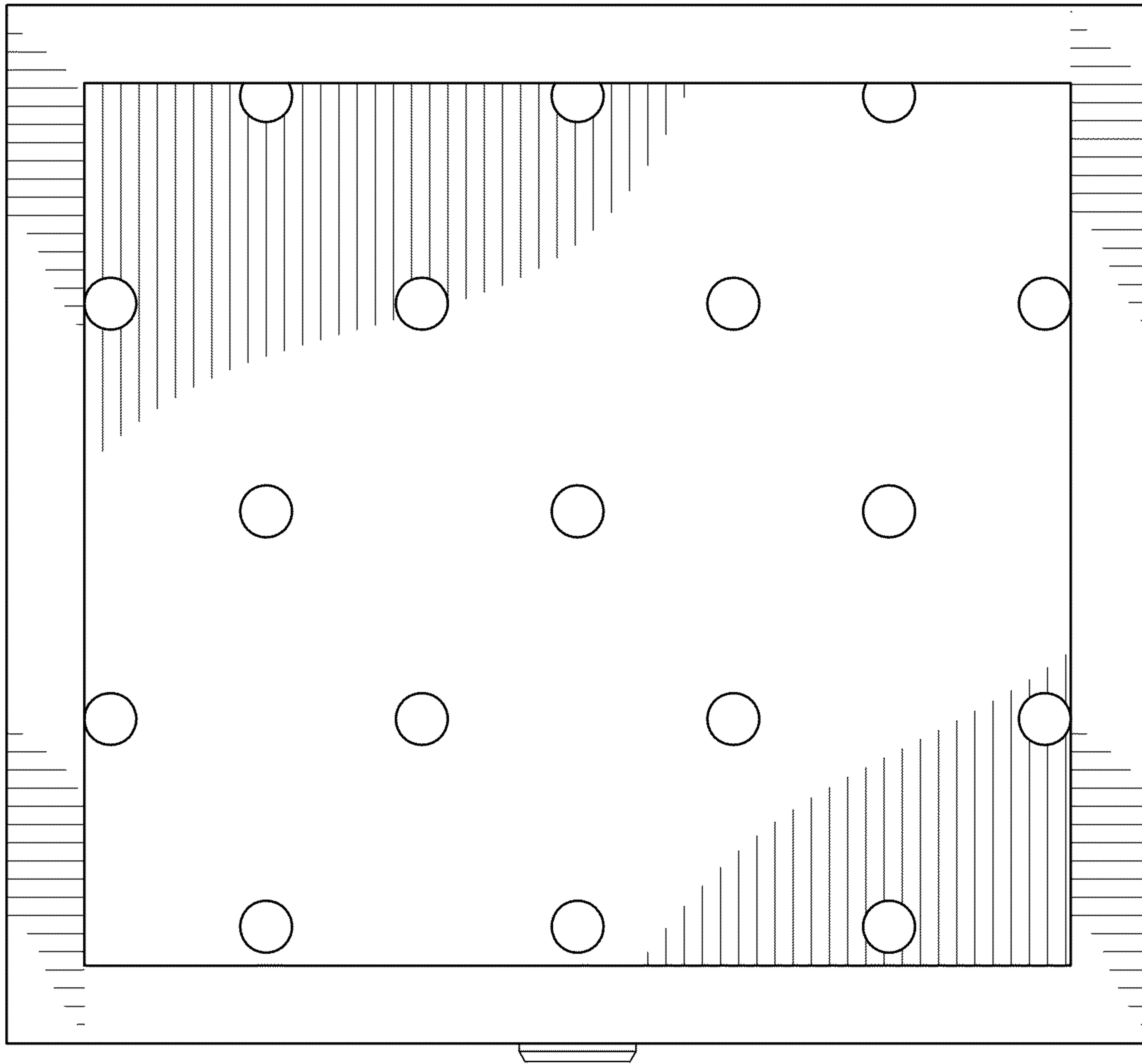


FIG. 6

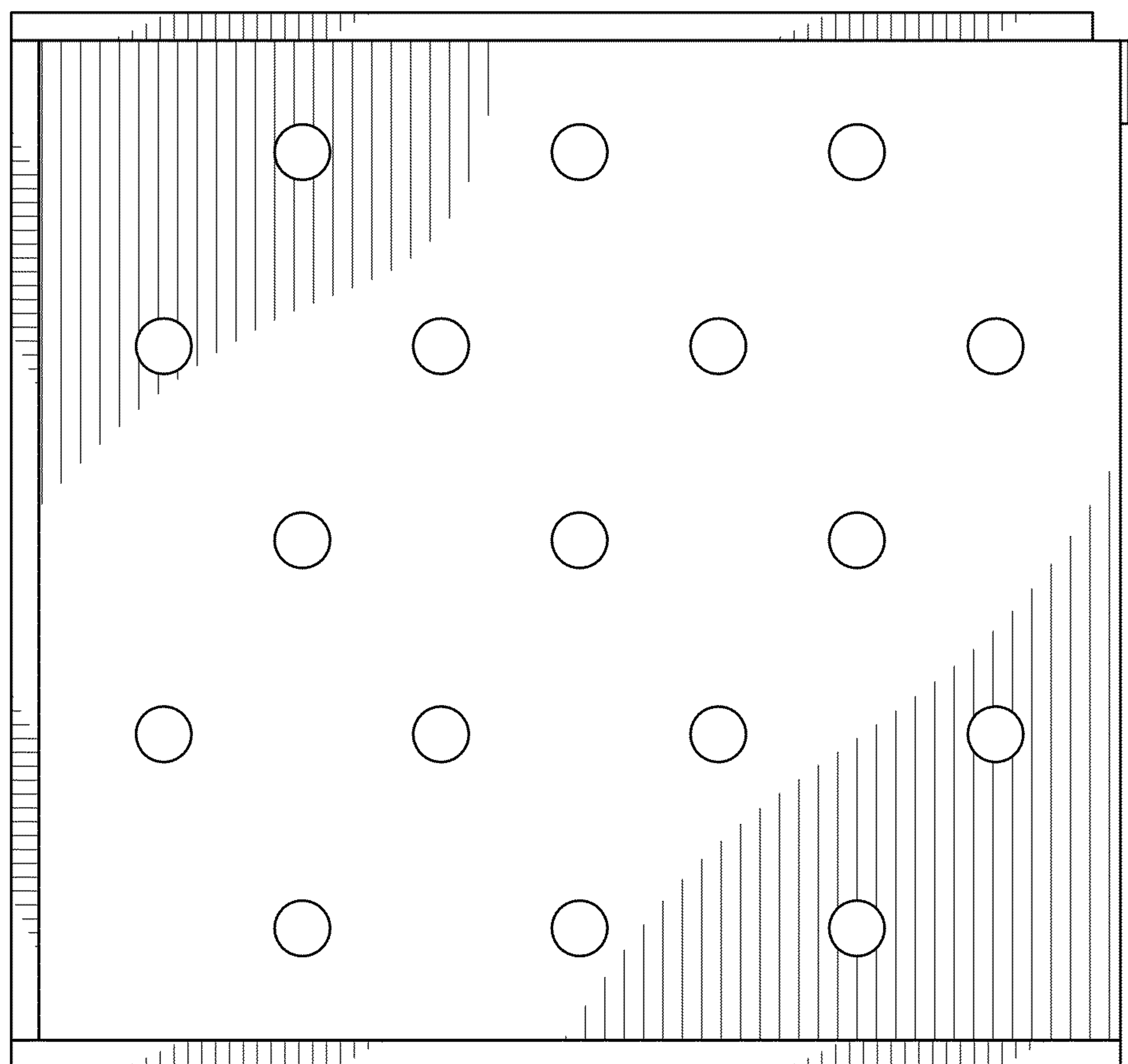


FIG. 7

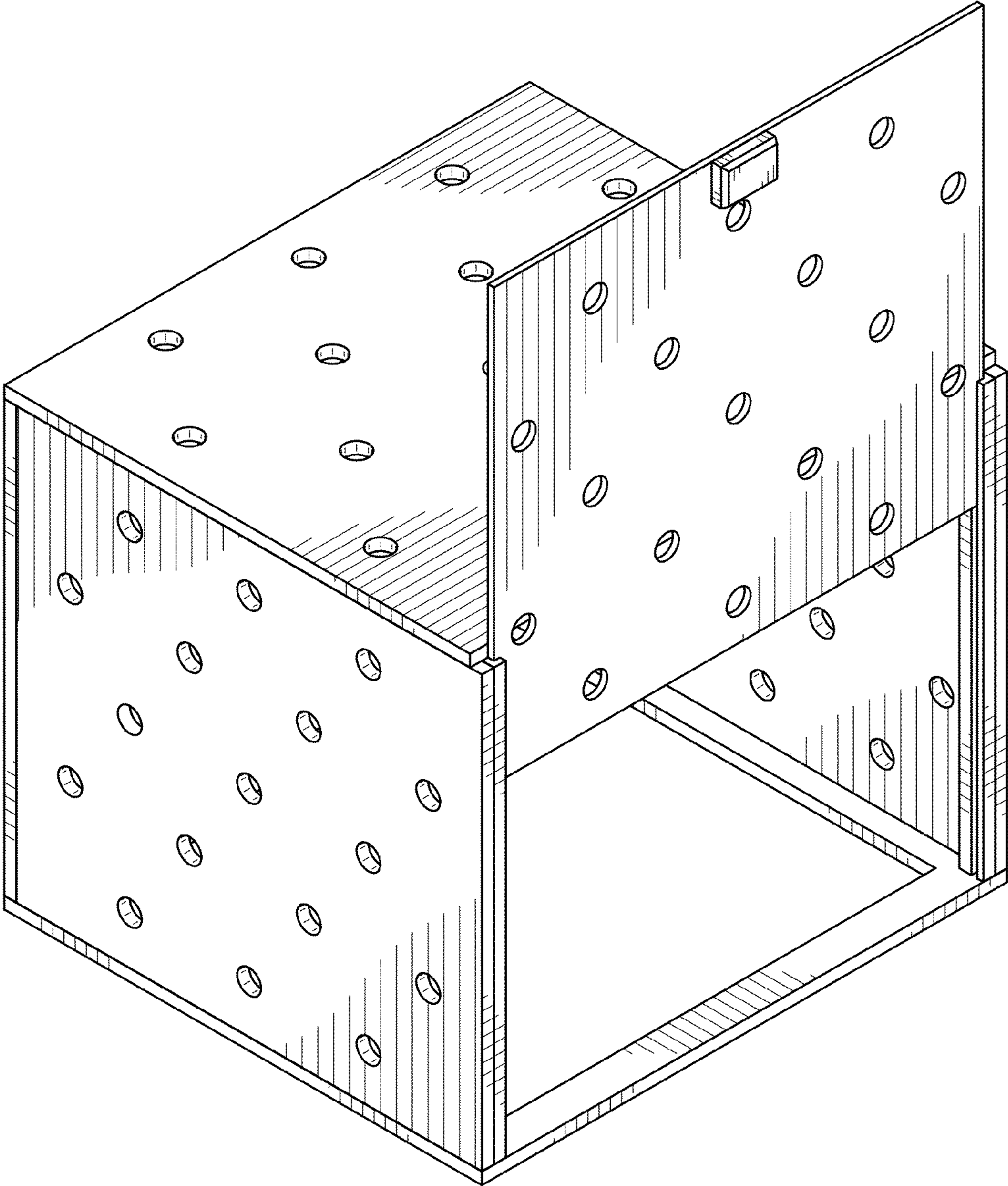


FIG. 8

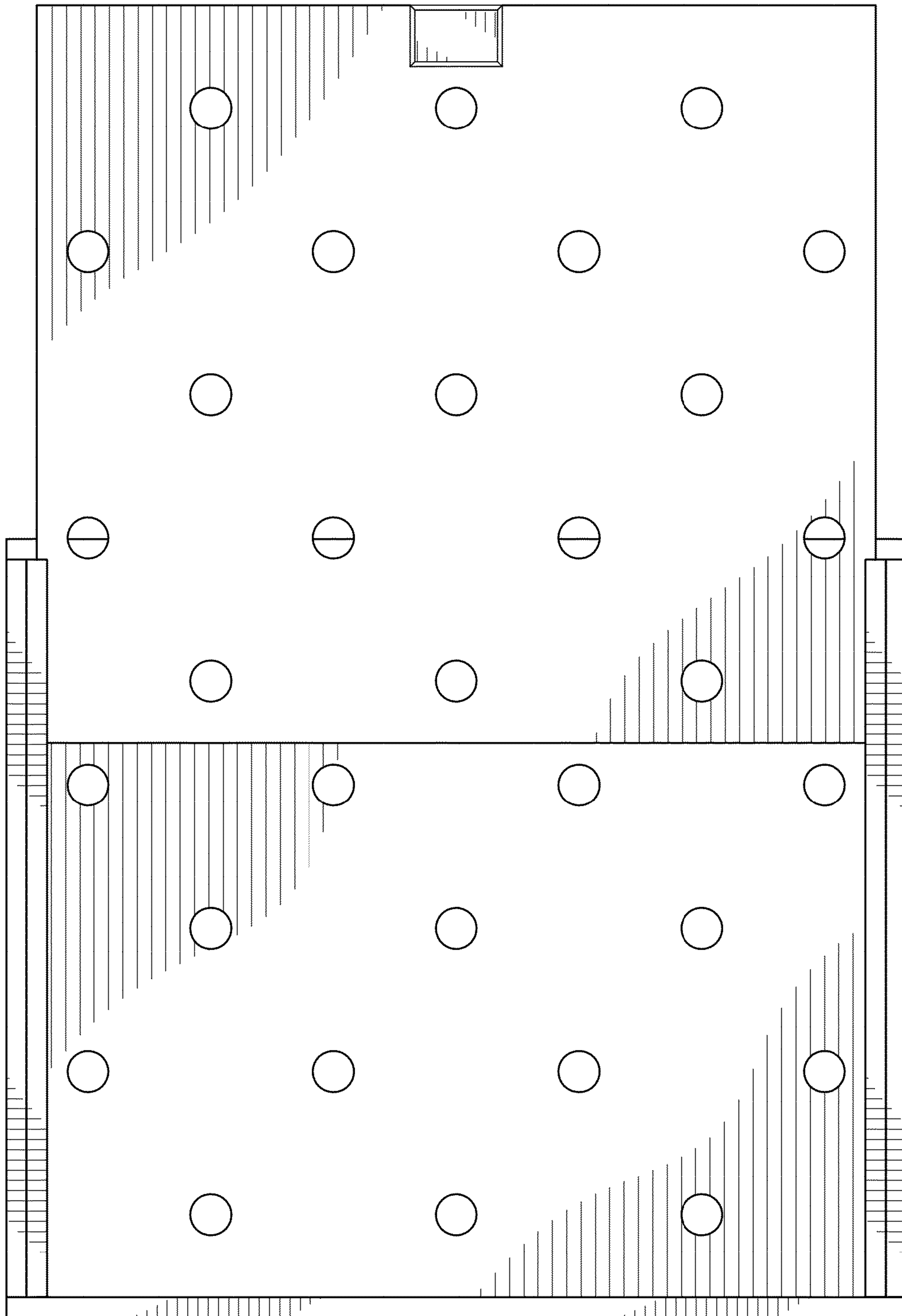


FIG. 9