



US00D735945S

(12) **United States Design Patent**
Reishus et al.

(10) **Patent No.:** **US D735,945 S**

(45) **Date of Patent:** **** *Aug. 4, 2015**

(54) **STAND FOR AN ELECTRIC SKIN BRUSH**

(75) Inventors: **Richard A. Reishus**, Renton, WA (US);
Travis Hosler, Seattle, WA (US)

(73) Assignee: **L'Oreal**, Paris (FR)

(*) Notice: This patent is subject to a terminal disclaimer.

(**) Term: **14 Years**

(21) Appl. No.: **29/415,444**

(22) Filed: **Mar. 9, 2012**

(51) **LOC (10) Cl.** **28-03**

(52) **U.S. Cl.**
USPC **D28/73**

(58) **Field of Classification Search**
USPC D28/44, 54, 73; D6/526; D13/108;
30/537, 541; D3/205
See application file for complete search history.

(56) **References Cited**

U.S. PATENT DOCUMENTS

D512,530	S	*	12/2005	Hartwein et al.	D28/44
D513,341	S	*	12/2005	Ullmann	D28/44
D513,346	S	*	12/2005	Buck, Jr.	D28/73
D519,682	S	*	4/2006	Choi	D28/73
D586,955	S	*	2/2009	Eigenstetter et al.	D28/53
D611,652	S	*	3/2010	Ullmann	D28/44
D621,347	S	*	8/2010	Aulwes et al.	D13/108

D655,545	S	*	3/2012	Bowler et al.	D3/205
D676,602	S	*	2/2013	Grabes et al.	D28/44
D676,807	S	*	2/2013	Ino	D13/108
D687,245	S	*	8/2013	Salagnac	D6/526
2004/0194326	A1	*	10/2004	Kappes et al.	30/537
2005/0034313	A1	*	2/2005	Hoser et al.	30/457
2006/0042103	A1	*	3/2006	Chasen	30/537

* cited by examiner

Primary Examiner — Jennifer Rivard

(74) *Attorney, Agent, or Firm* — Clark A. Puntigam; Jensen & Puntigam, P.S.

(57) **CLAIM**

The ornamental design for a stand for an electric skin brush, as shown and described.

DESCRIPTION

FIG. 1 is a front isometric view of the stand for an electric skin brush showing the new design.

FIG. 2 is a rear isometric view of the stand for an electric skin brush.

FIG. 3 is a front elevational view of the stand for an electric skin brush.

FIG. 4 is a rear elevational view of the stand for an electric skin brush.

FIG. 5 is a top view of the stand for an electric skin brush.

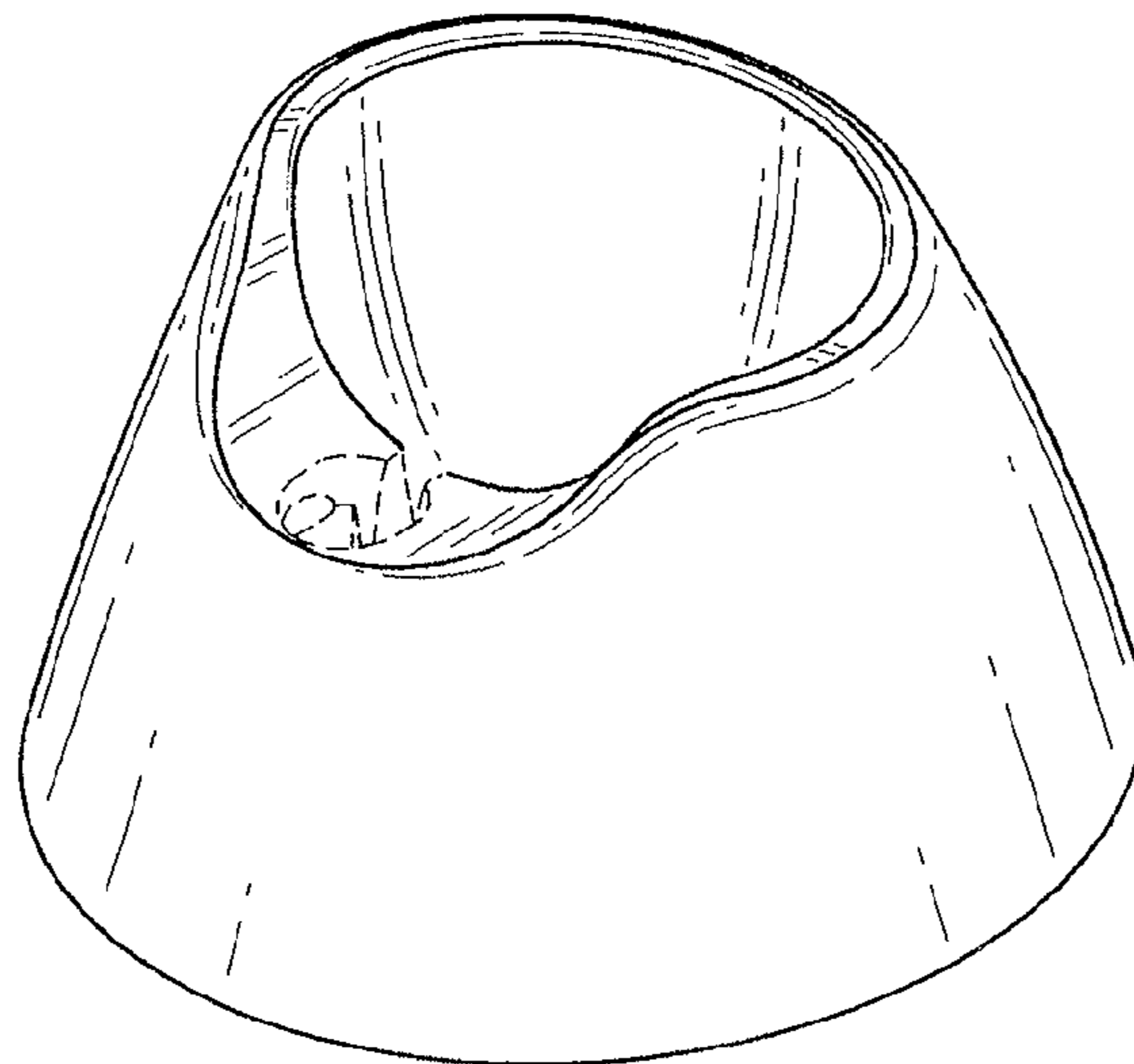
FIG. 6 is a bottom view of the stand for an electric skin brush.

FIG. 7 is an elevational view of one side of the stand for an electric skin brush; and,

FIG. 8 is an elevational view of the opposing side of the stand for an electric skin brush.

The broken lines shown in the drawings illustrate portions of the article and form no part of the claimed design.

1 Claim, 4 Drawing Sheets



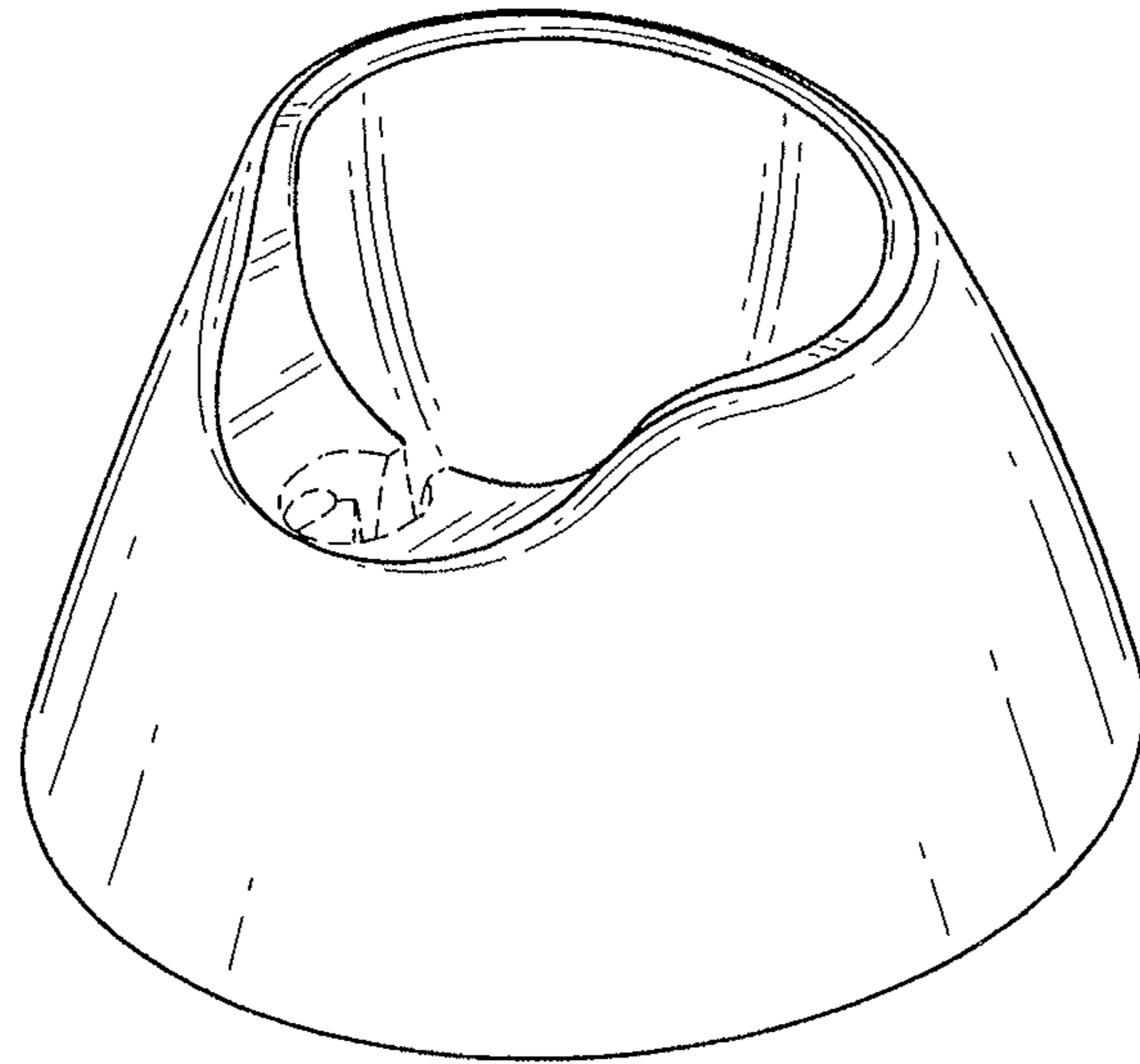


FIG. 1

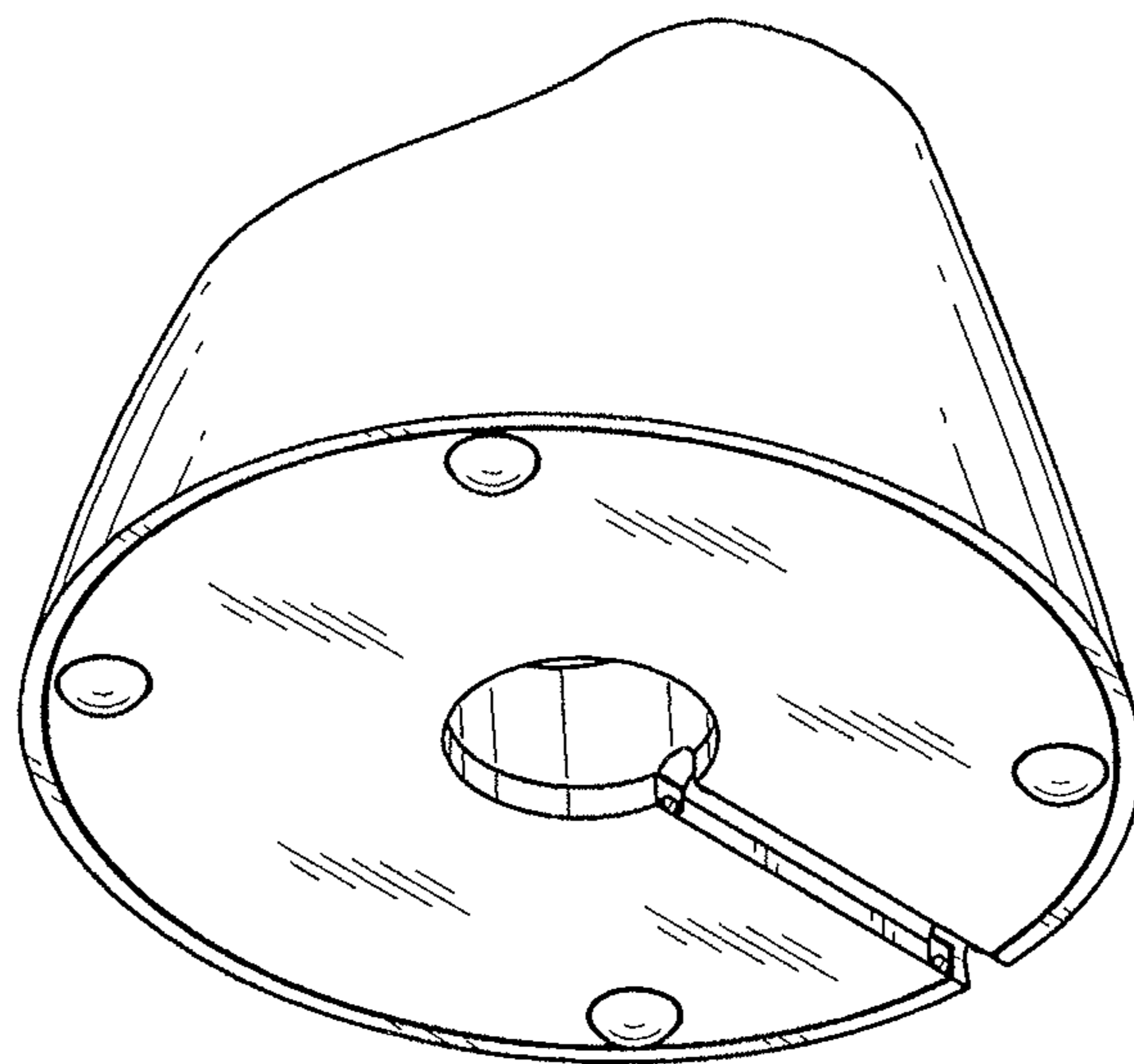


FIG. 2

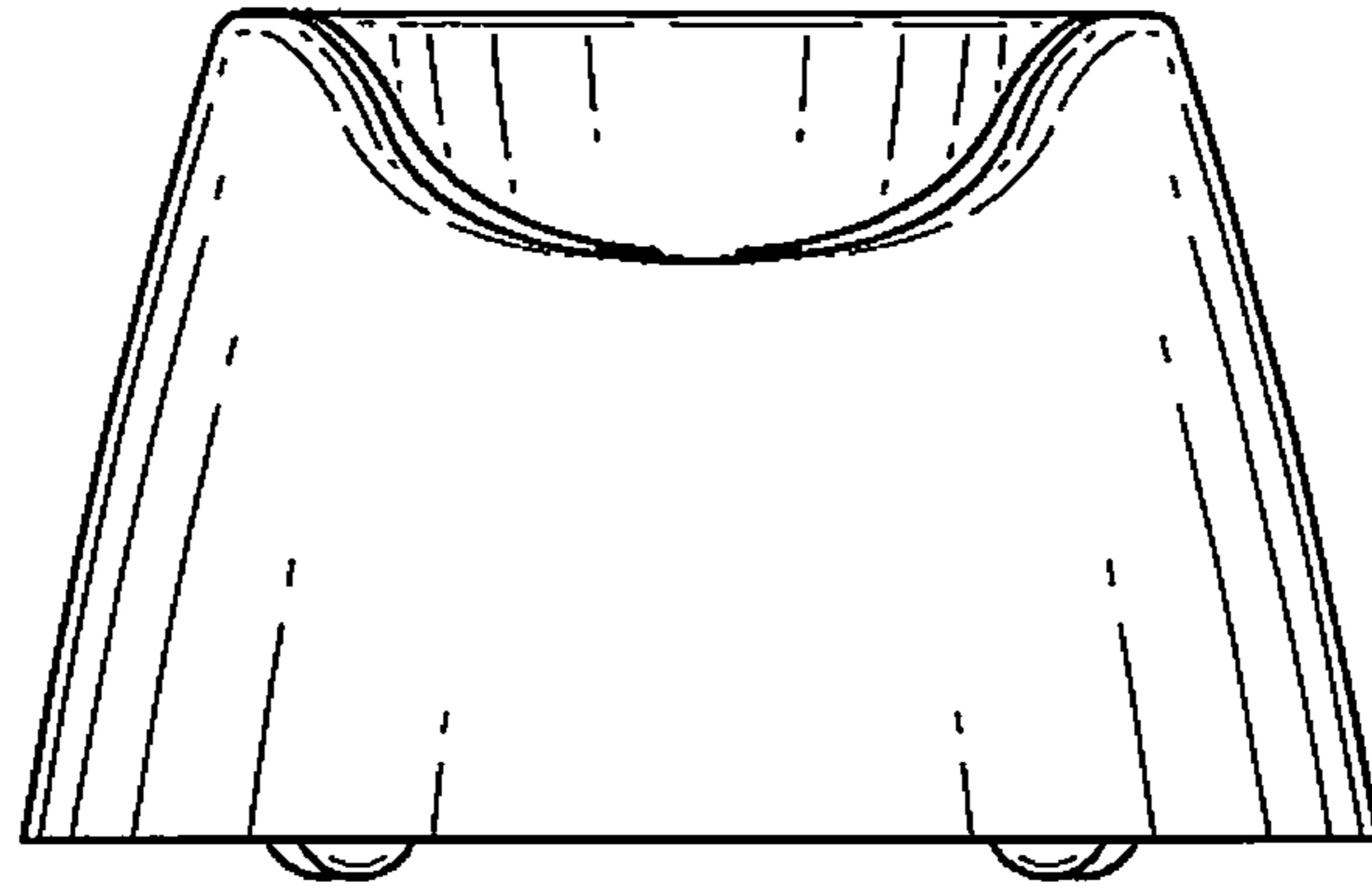


FIG. 3

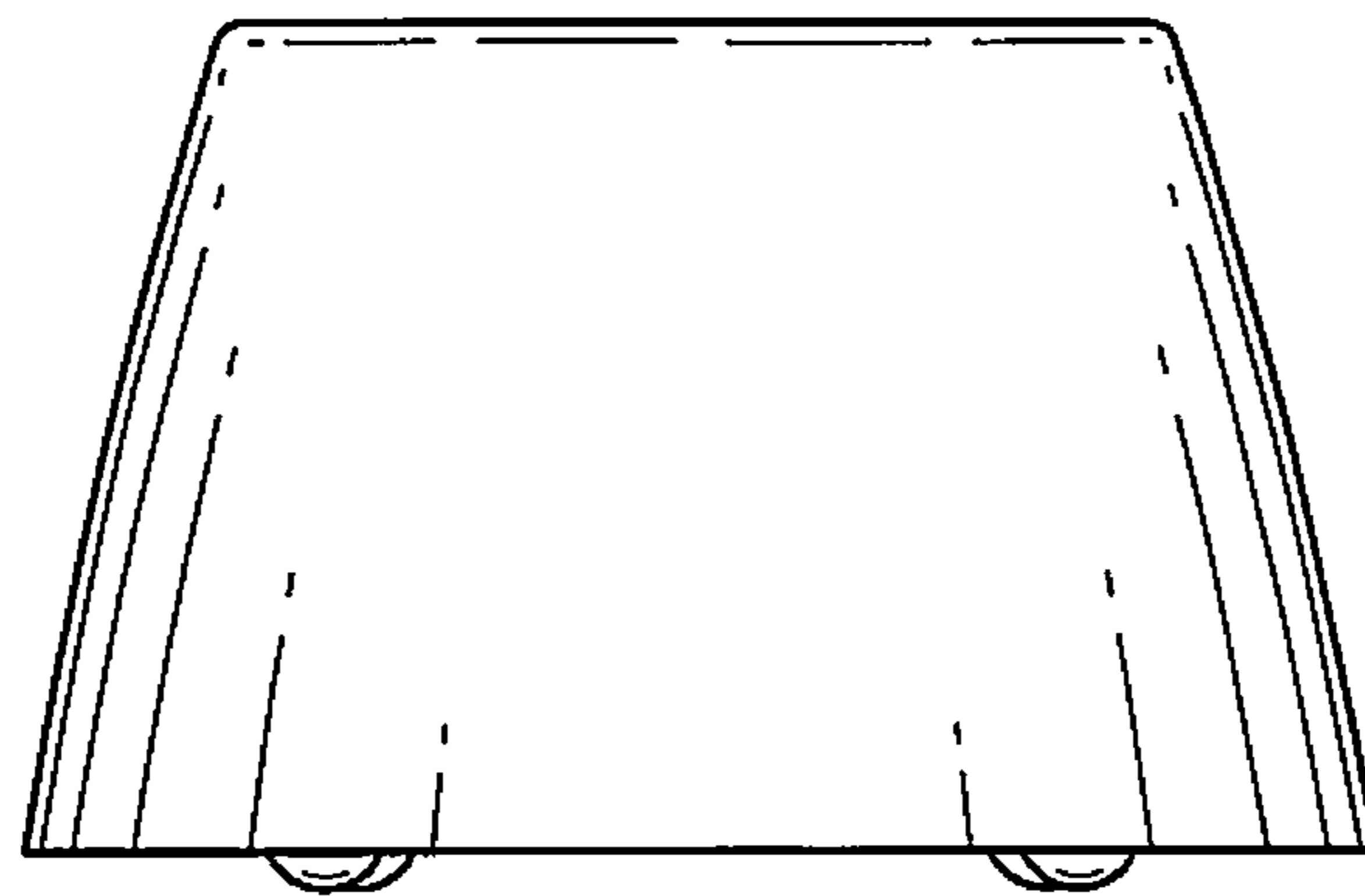


FIG. 4

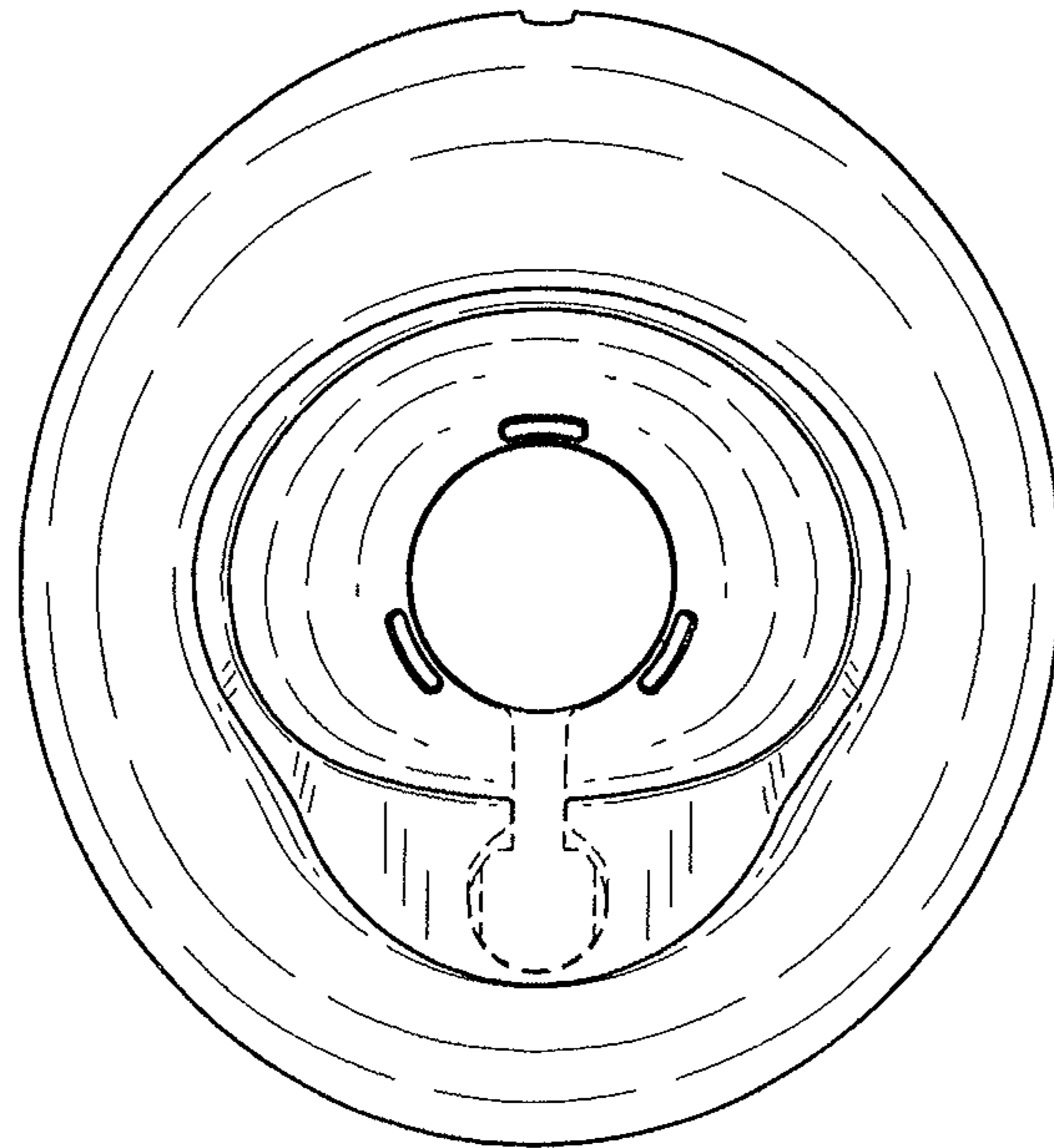


FIG. 5

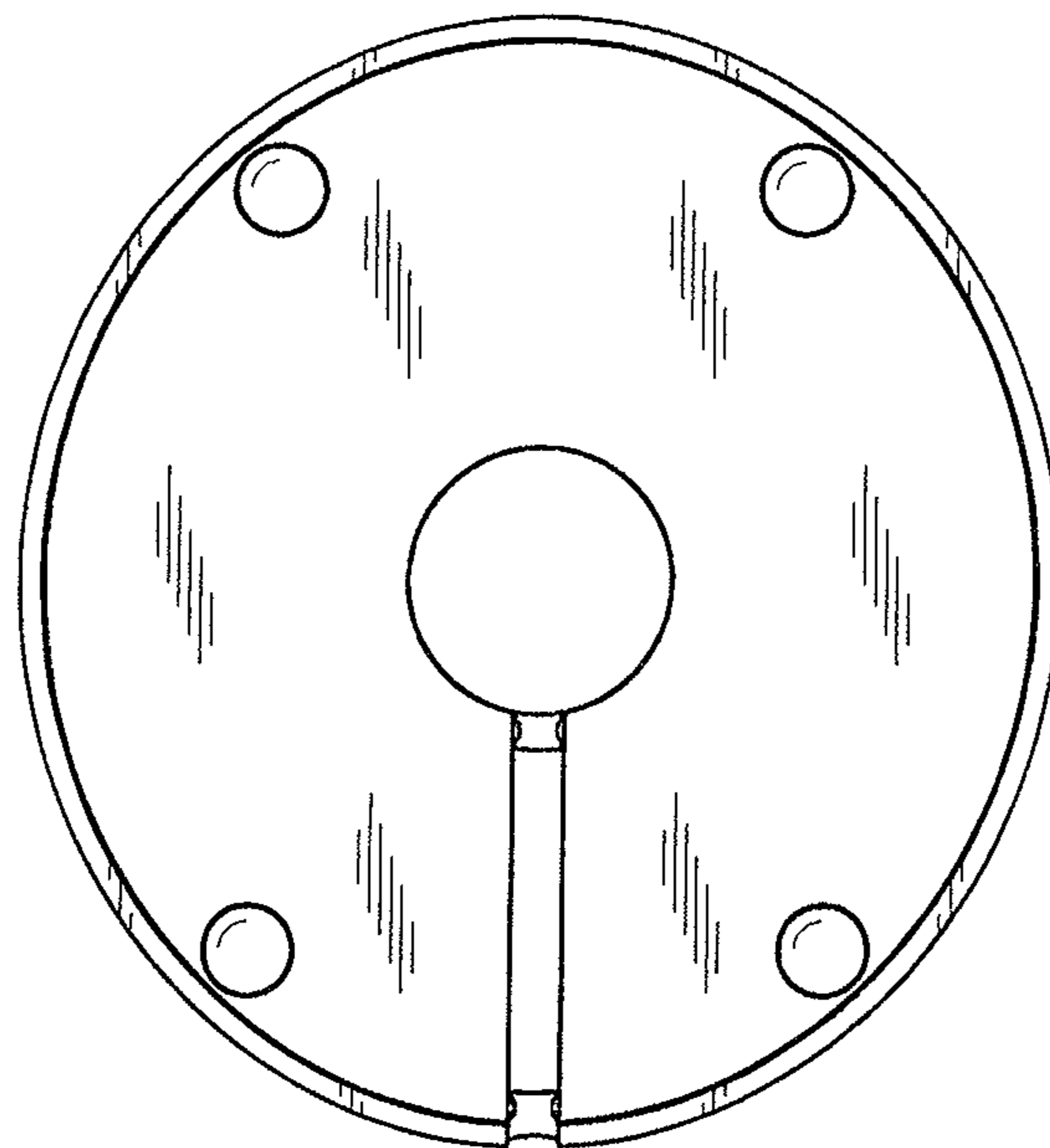


FIG. 6

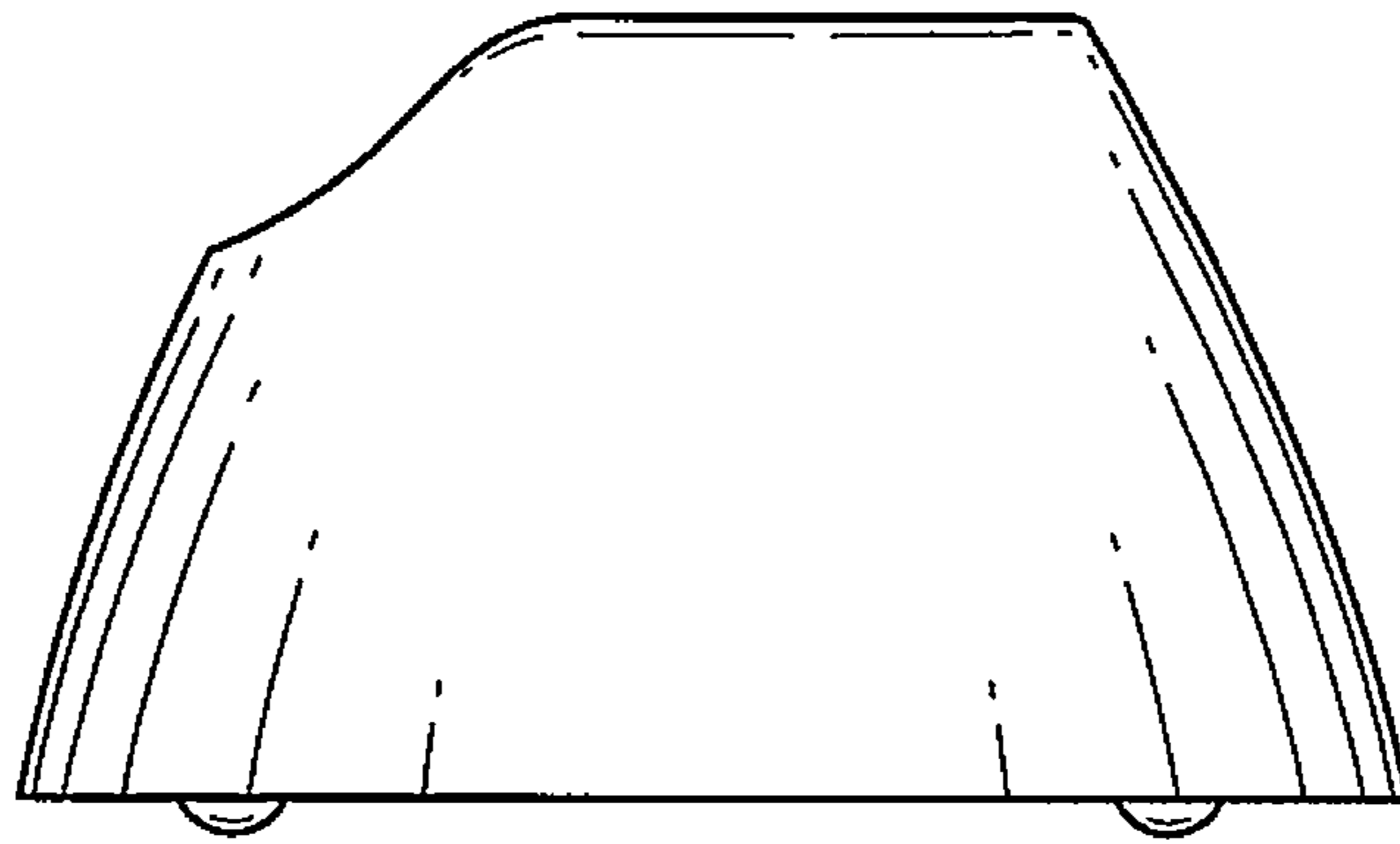


FIG. 7

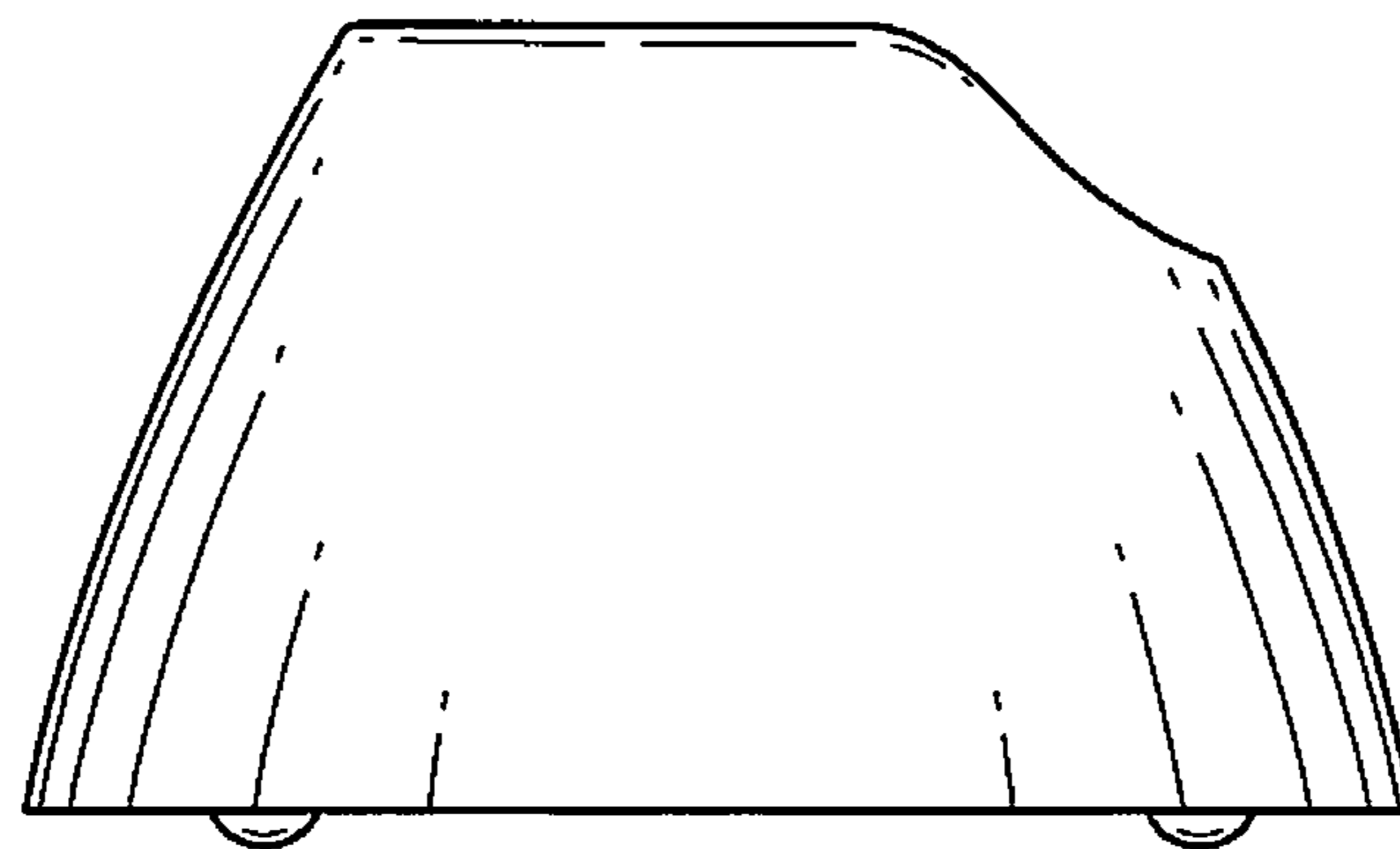


FIG. 8