



US00D735941S

(12) **United States Design Patent**  
**Seminoff**

(10) **Patent No.:** **US D735,941 S**

(45) **Date of Patent:** **\*\* Aug. 4, 2015**

(54) **EYELASH EXTENSION APPARATUS**

(56) **References Cited**

(71) Applicant: **Amanda Seminoff**, San Juan Capistrano,  
CA (US)

U.S. PATENT DOCUMENTS

(72) Inventor: **Amanda Seminoff**, San Juan Capistrano,  
CA (US)

|              |      |         |                |         |
|--------------|------|---------|----------------|---------|
| 3,547,135    | A *  | 12/1970 | Roos           | 132/216 |
| 3,556,113    | A *  | 1/1971  | Frieder        | 132/216 |
| 3,722,519    | A    | 3/1973  | Epstein        |         |
| 3,828,803    | A *  | 8/1974  | Windsor        | 132/216 |
| 5,377,700    | A *  | 1/1995  | Harris         | 132/217 |
| 6,789,551    | B2 * | 9/2004  | Iosilevich     | 132/217 |
| D607,147     | S *  | 12/2009 | Sugawara       | D28/36  |
| D631,605     | S *  | 1/2011  | Cho            | D28/36  |
| 8,015,980    | B2 * | 9/2011  | Rabe et al.    | 132/201 |
| 8,424,542    | B1   | 4/2013  | Han            |         |
| 8,657,170    | B2 * | 2/2014  | Martinez       | 225/39  |
| 8,881,741    | B1 * | 11/2014 | Mattson et al. | 132/201 |
| 2013/0042884 | A1   | 2/2013  | Wilkinson      |         |
| 2013/0133681 | A1   | 5/2013  | Chipman        |         |
| 2013/0160783 | A1   | 6/2013  | Ahn et al.     |         |

(\*\*) Term: **14 Years**

(21) Appl. No.: **29/465,797**

(22) Filed: **Aug. 30, 2013**

(51) **LOC (10) Cl.** ..... **28-03**

(52) **U.S. Cl.**  
USPC ..... **D28/36; D28/9; D28/10**

(58) **Field of Classification Search**  
USPC ..... D28/9, 10, 11, 73, 76, 17, 20, 38, 77,  
D28/99, 75, 4, 7, 8, 41, 36; 248/121, 519,  
248/188.7, 523; D6/677.3, 405, 682.6,  
D6/682.5; D10/125; D24/233, 128, 214,  
D24/194, 200, 189, 158; D3/27, 23, 24,  
D3/205, 215, 224, 229; 132/273, 56, 285,  
132/319, 73, 217, 216; 112/169; D16/242,  
D16/249; 211/85.23, 70.6; D4/127, 128,  
D4/114, 138; 606/234; D21/682, 362;  
D18/15; 224/245, 148.4, 148.6;  
604/289; D20/11, 21; 359/892, 891;  
D19/112

CPC ..... A47K 1/08; A47F 5/08; A47F 5/02;  
A47F 5/04; A45F 3/16; A45F 3/18; A45D  
44/12; A45D 40/30; A45D 2/48; A41D 13/05;  
A45B 1/06

See application file for complete search history.

\* cited by examiner

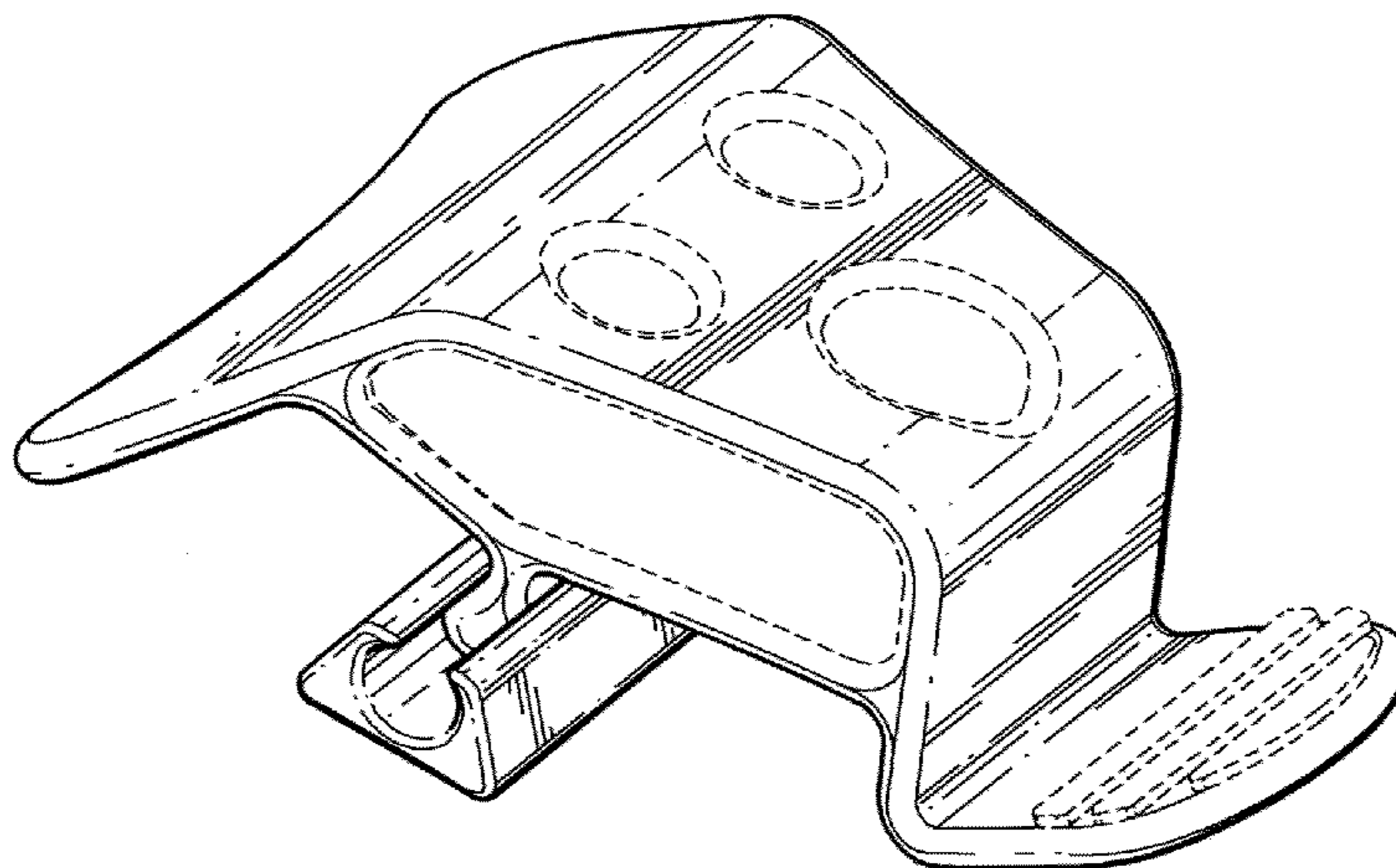
*Primary Examiner* — Marianne Pandozzi  
(74) *Attorney, Agent, or Firm* — One3 IP Management, P.C.;  
Justin G. Sanders; Jeromye V. Sartain

(57) **CLAIM**  
The ornamental design for an eyelash extension apparatus, as  
shown and described.

**DESCRIPTION**

FIG. 1 is a perspective view showing an exemplary embodi-  
ment of my new eyelash extension apparatus design;  
FIG. 2 is a top view thereof;  
FIG. 3 is a bottom view thereof;  
FIG. 4 is a side view thereof;  
FIG. 5 is a front view thereof; and,  
FIG. 6 is a rear view thereof.  
The broken lines are for illustrative purposes only and form  
no part of the claimed design.

**1 Claim, 3 Drawing Sheets**



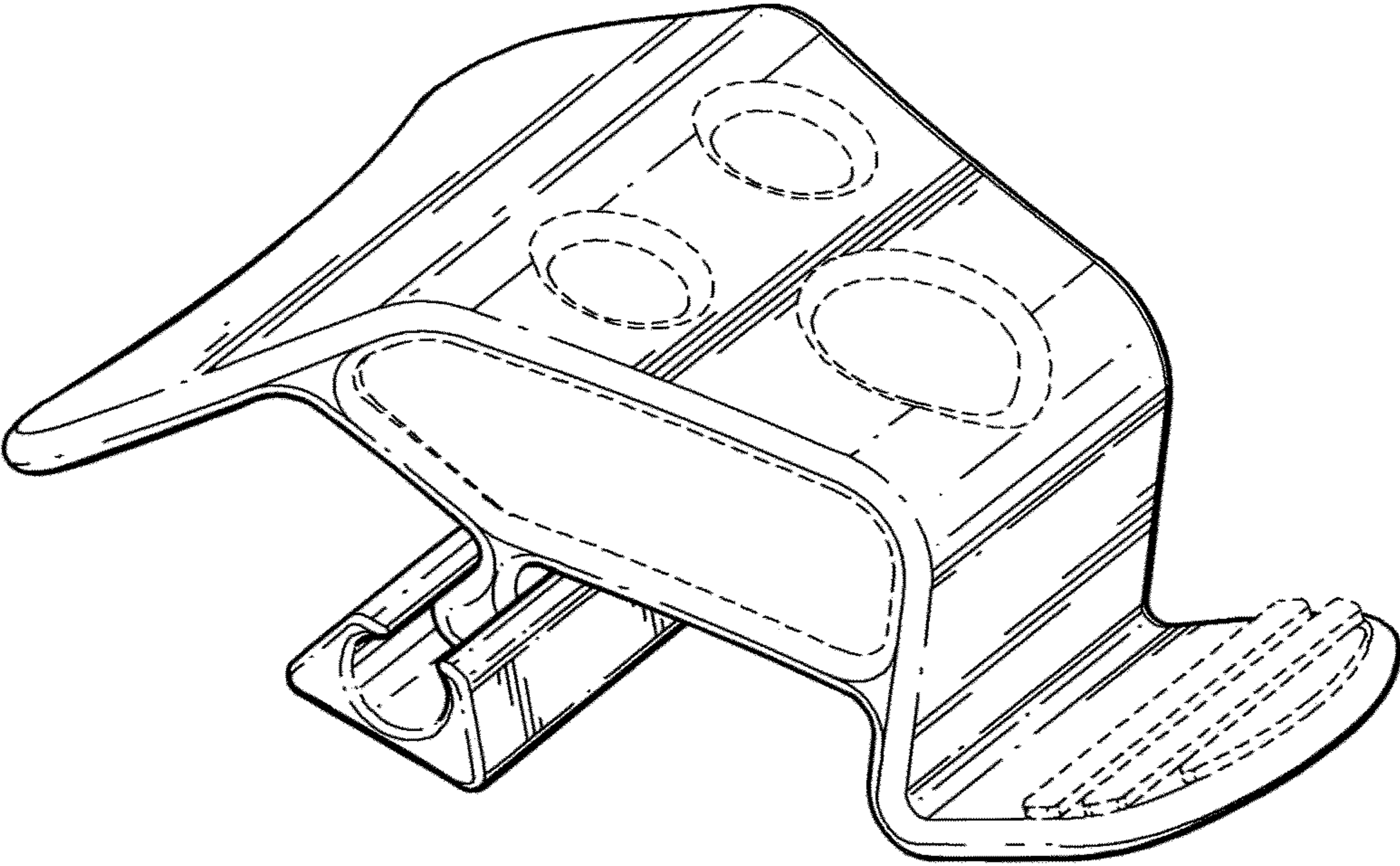


FIG. 1

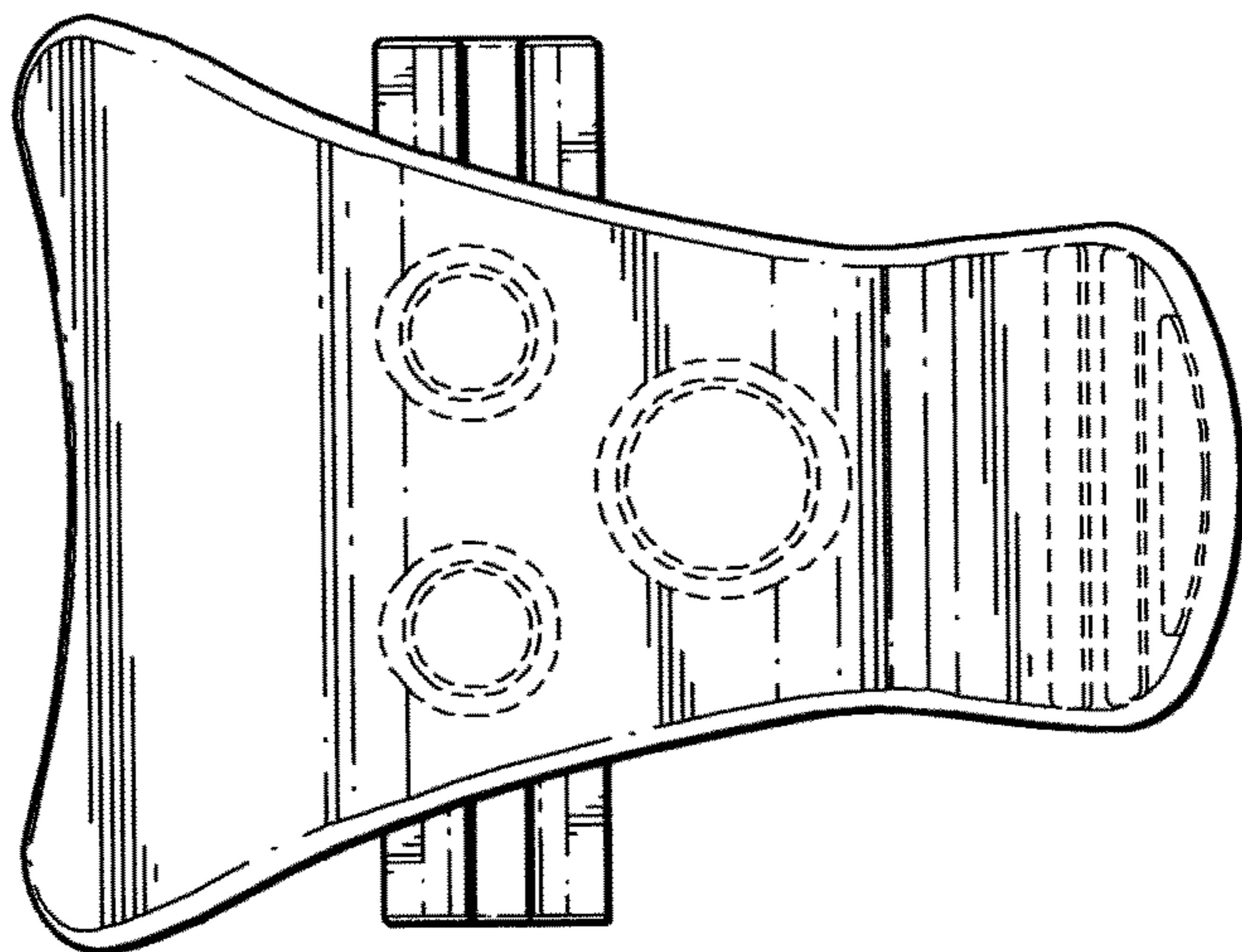


FIG. 2

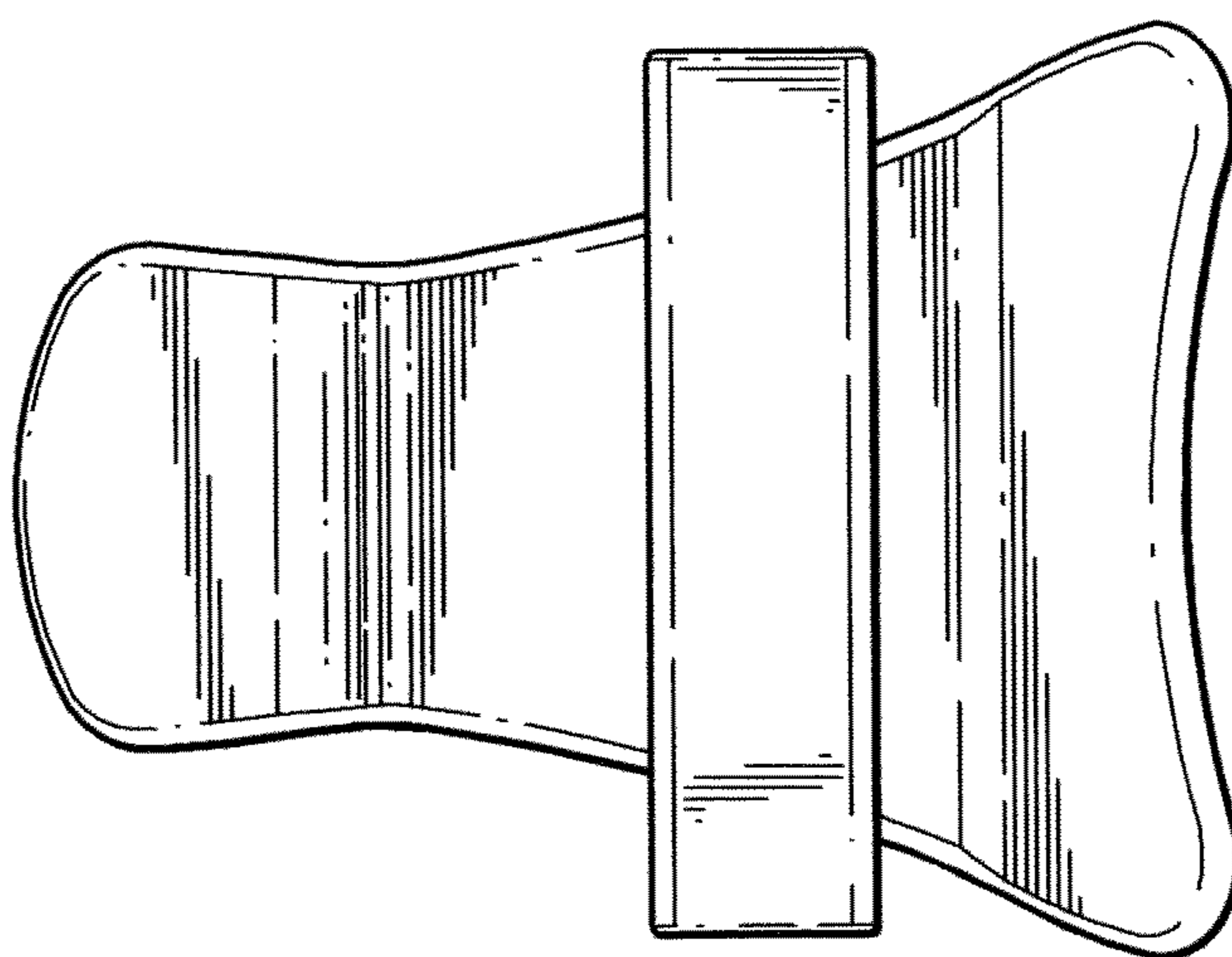


FIG. 3



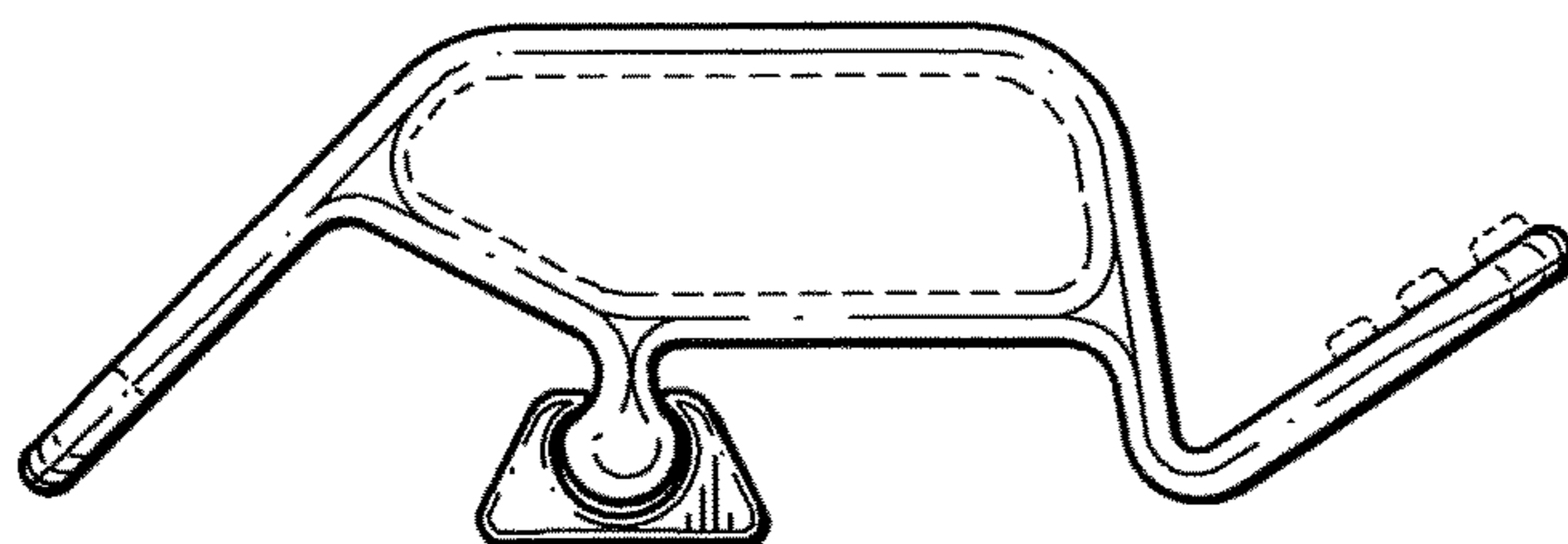


FIG. 4

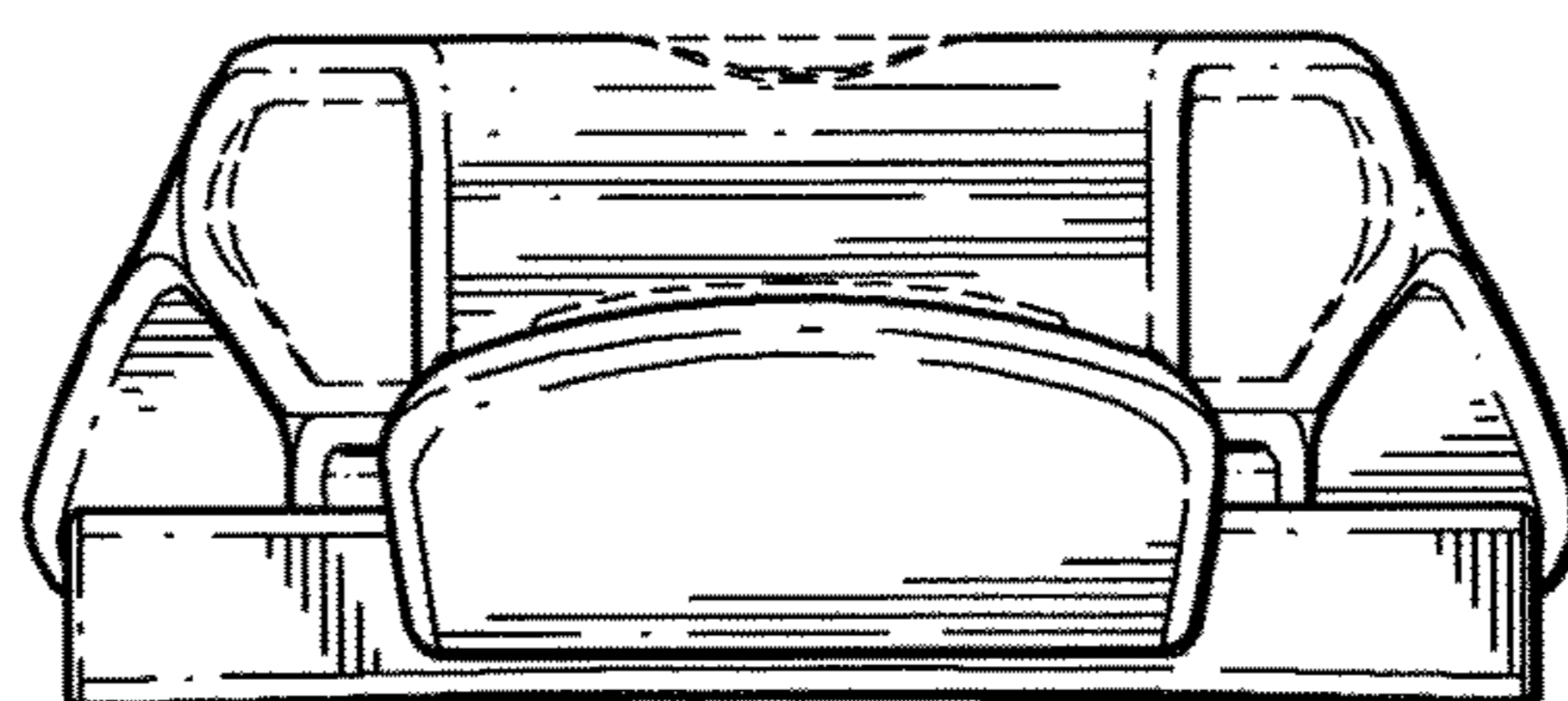


FIG. 5



FIG. 6