



US00D735938S

(12) **United States Design Patent**
Morse

(10) **Patent No.:** **US D735,938 S**
(45) **Date of Patent:** **** Aug. 4, 2015**

- (54) **COSMETIC APPLICATOR**
- (71) Applicant: **HCP Packaging USA, Inc.**, Shelton, CT (US)
- (72) Inventor: **Jamey Morse**, Winchester, NH (US)
- (73) Assignee: **HCP Packaging USA, Inc.**, Shelton, CT (US)
- (**) Term: **14 Years**
- (21) Appl. No.: **29/493,473**
- (22) Filed: **Jun. 10, 2014**
- (51) **LOC (10) Cl.** **28-02**
- (52) **U.S. Cl.**
USPC **D28/7**
- (58) **Field of Classification Search**
USPC D28/7, 8, 20–22, 30–31, 76, 85, 99;
132/108, 202, 208, 317.32;
401/202–207, 261–267; D4/132–135;
D24/119
CPC . A45D 34/002; A45D 34/005; A45D 34/007;
A45D 34/04; A45D 34/041; A45D 34/042;
A45D 34/043; A45D 34/045; A45D 34/046;
A45D 34/047; A45D 34/048; A45D 34/06
See application file for complete search history.

7,946,778	B2	5/2011	Gueret	
D640,000	S	6/2011	Limongi	
D640,001	S	6/2011	Limongi	
8,082,928	B2 *	12/2011	Gueret	132/218
8,100,138	B2	1/2012	Gueret	
8,127,777	B2	3/2012	Gueret	
8,245,716	B2	8/2012	Malvar et al.	
2004/0134507	A1	7/2004	Gueret	
2008/0138138	A1	6/2008	Gueret	
2008/0163884	A1	7/2008	Schrepf	

* cited by examiner

Primary Examiner — Zenia Bennett

(74) *Attorney, Agent, or Firm* — O’Connell Law Firm;
Thomas P. O’Connell

(57) **CLAIM**

The new and ornamental design for a cosmetic applicator, as shown and described.

DESCRIPTION

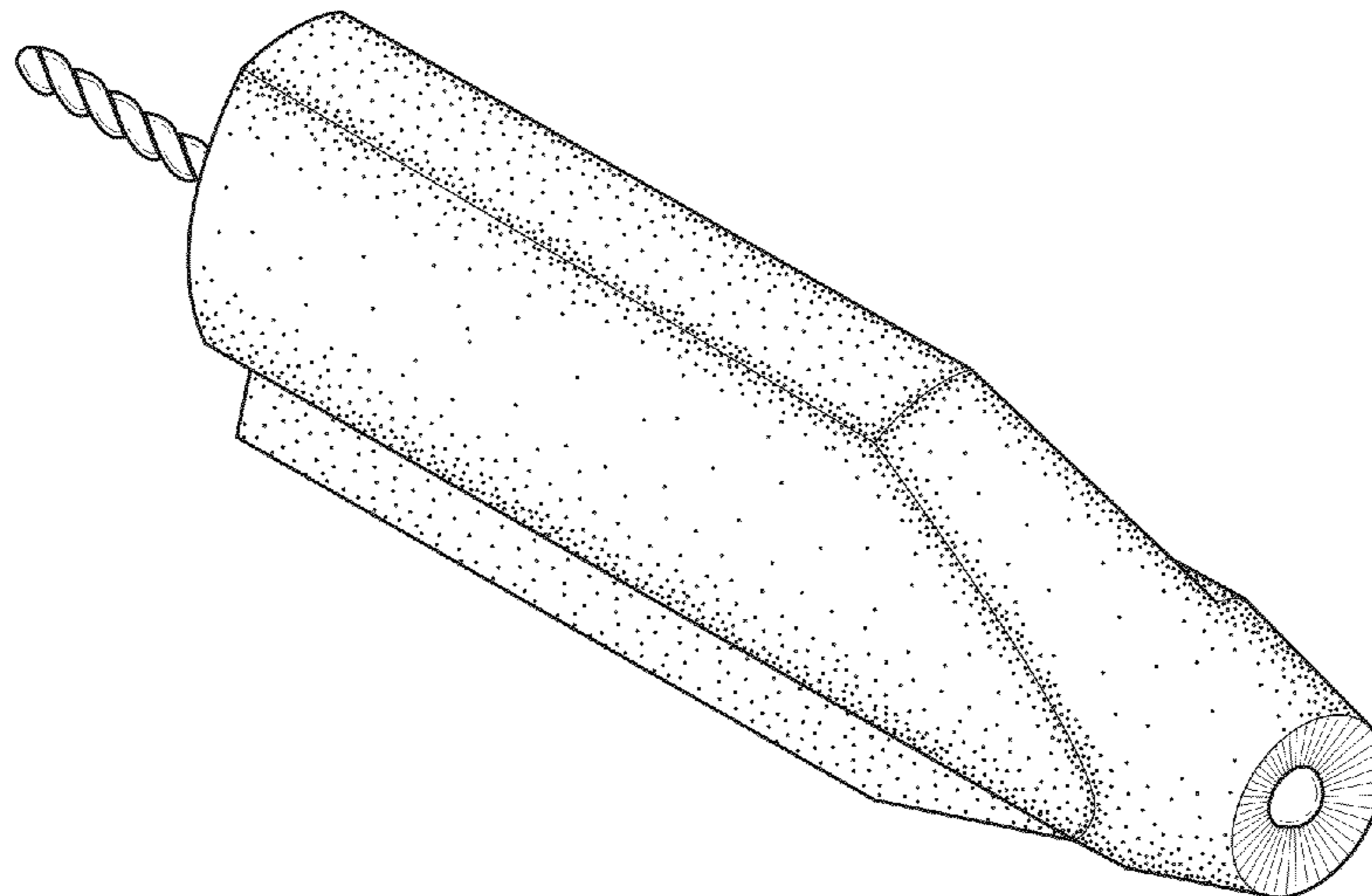
FIG. 1 is a perspective view of a cosmetic applicator showing my new design;
 FIG. 2 is a view in left side elevation of the cosmetic applicator of FIG. 1;
 FIG. 3 is a view in right side elevation of the cosmetic applicator of FIG. 1;
 FIG. 4 is a top plan view of the cosmetic applicator of FIG. 1;
 FIG. 5 is a bottom plan view of the cosmetic applicator of FIG. 1;
 FIG. 6 is a view in front elevation of the cosmetic applicator of FIG. 1;
 FIG. 7 is a view in rear elevation of the cosmetic applicator of FIG. 1; and,
 FIG. 8 is a perspective view of the cosmetic applicator of FIG. 1 affixed to an applicator wand wherein the applicator wand is depicted with broken lines and does not form part of the invention.
 The broken lines are shown for illustrative purposes only and form no part of the claimed design.

1 Claim, 5 Drawing Sheets

(56) **References Cited**

U.S. PATENT DOCUMENTS

D238,212	S	12/1975	Kingsford	
4,365,642	A *	12/1982	Costa	132/218
5,370,141	A *	12/1994	Gueret	132/218
5,542,439	A *	8/1996	Gueret	132/218
6,067,997	A *	5/2000	Gueret	132/218
6,371,130	B1 *	4/2002	Vasas	132/218
7,475,691	B2	1/2009	Durnberger	
RE41,156	E	3/2010	Gueret	
D616,608	S *	5/2010	Maddy	D28/76
7,918,619	B2 *	4/2011	Gueret	401/128



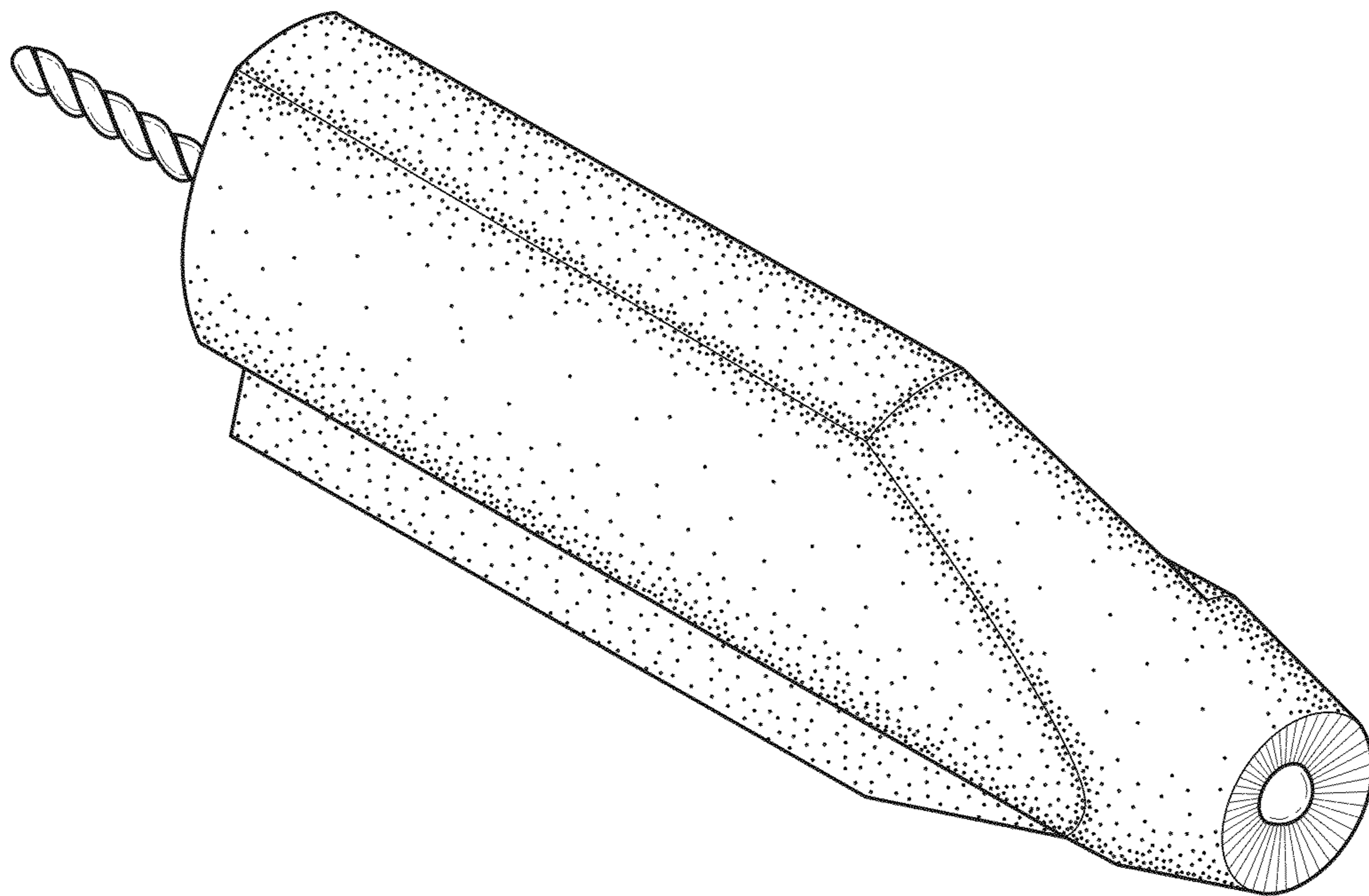


FIG. 1

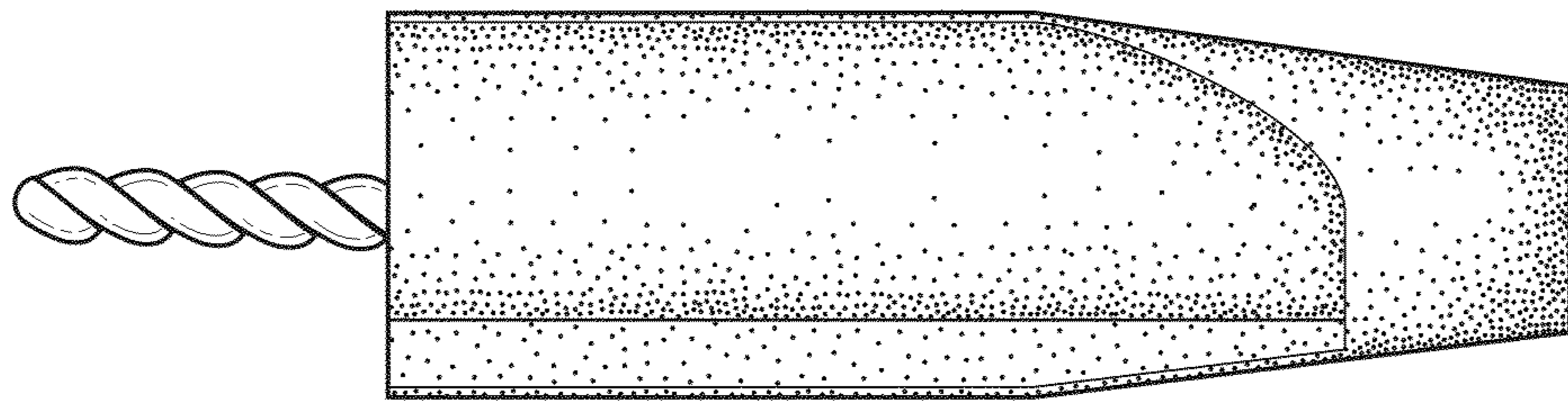


FIG. 2

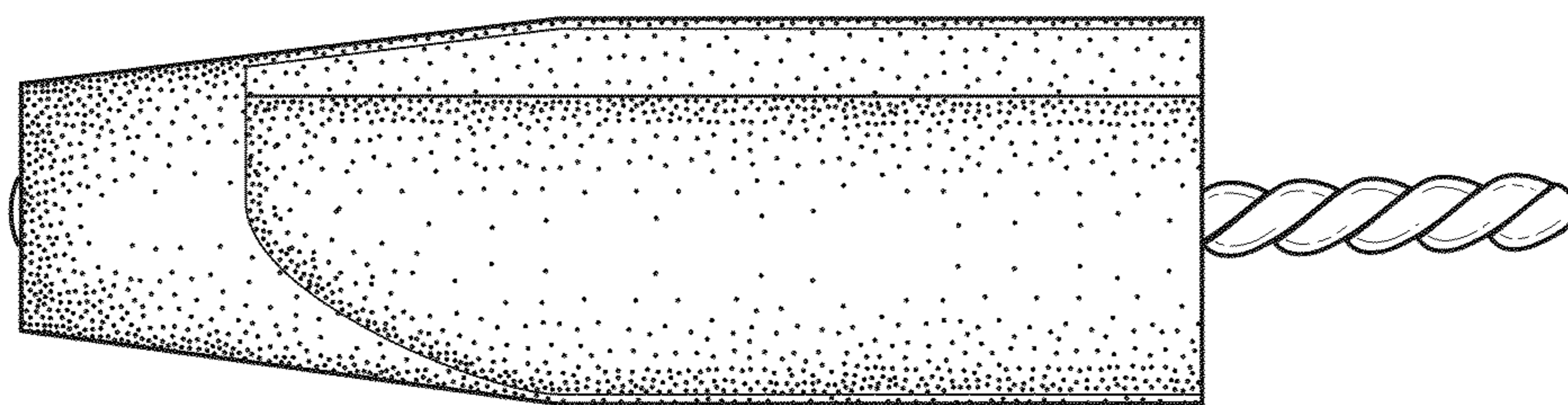


FIG. 3

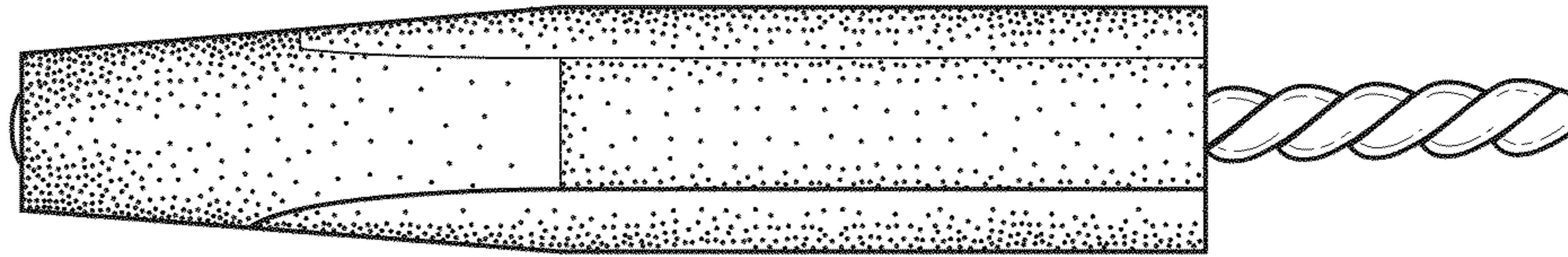


FIG. 4

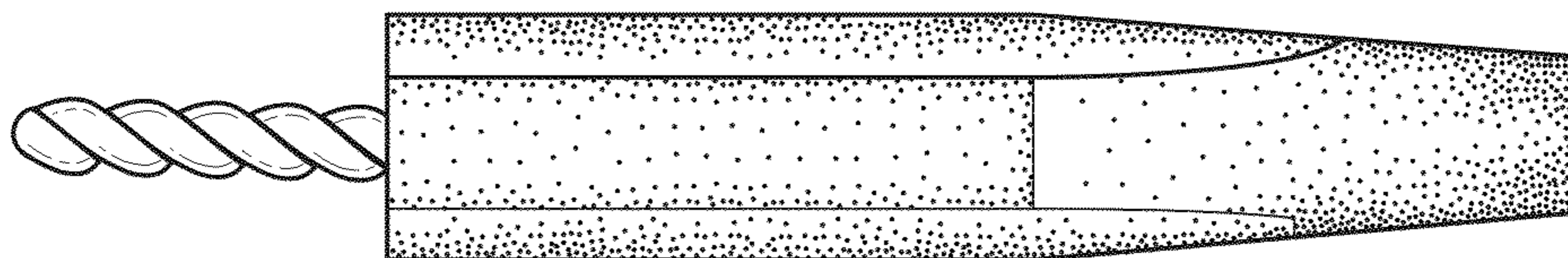


FIG. 5

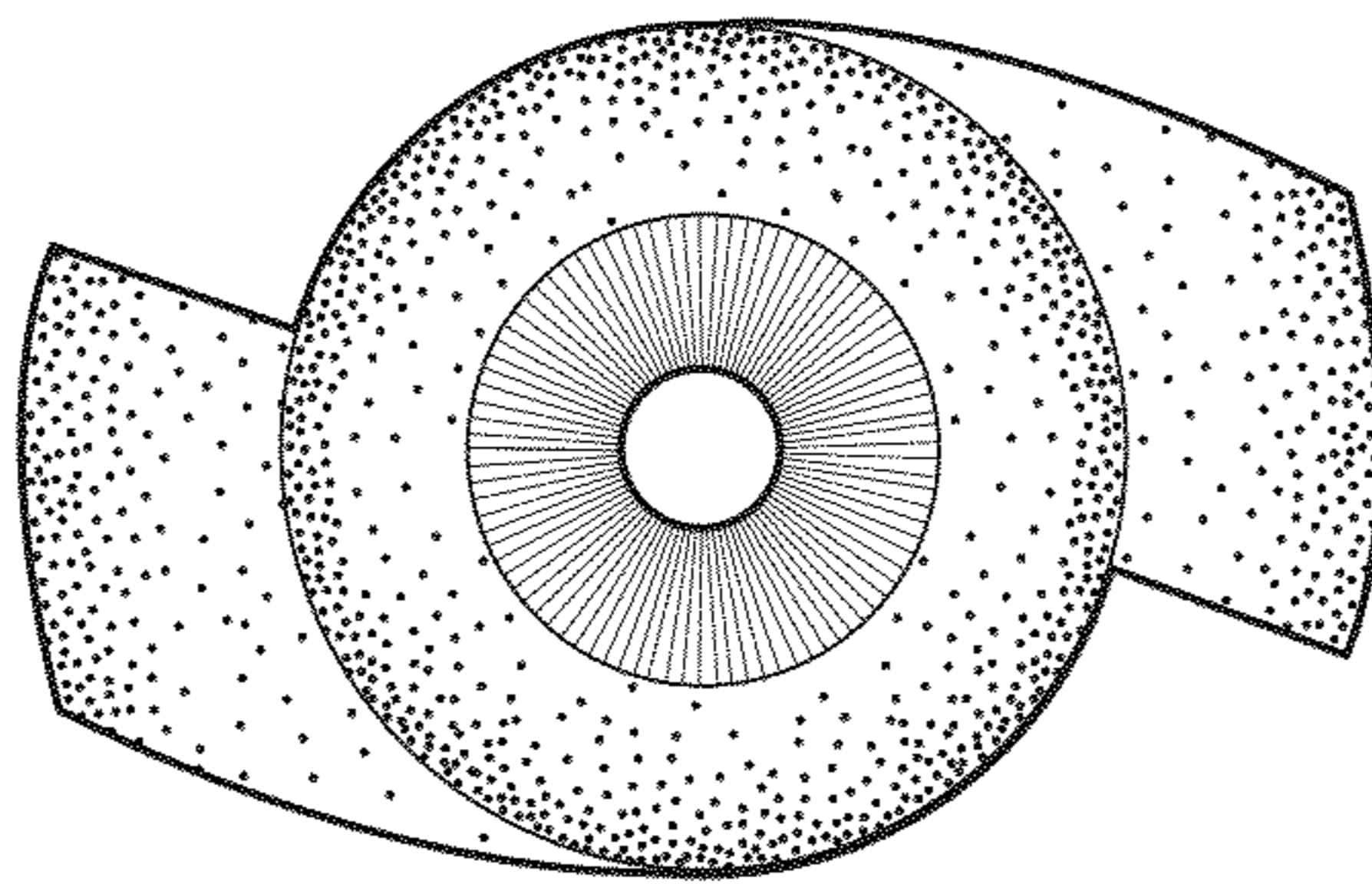


FIG. 6

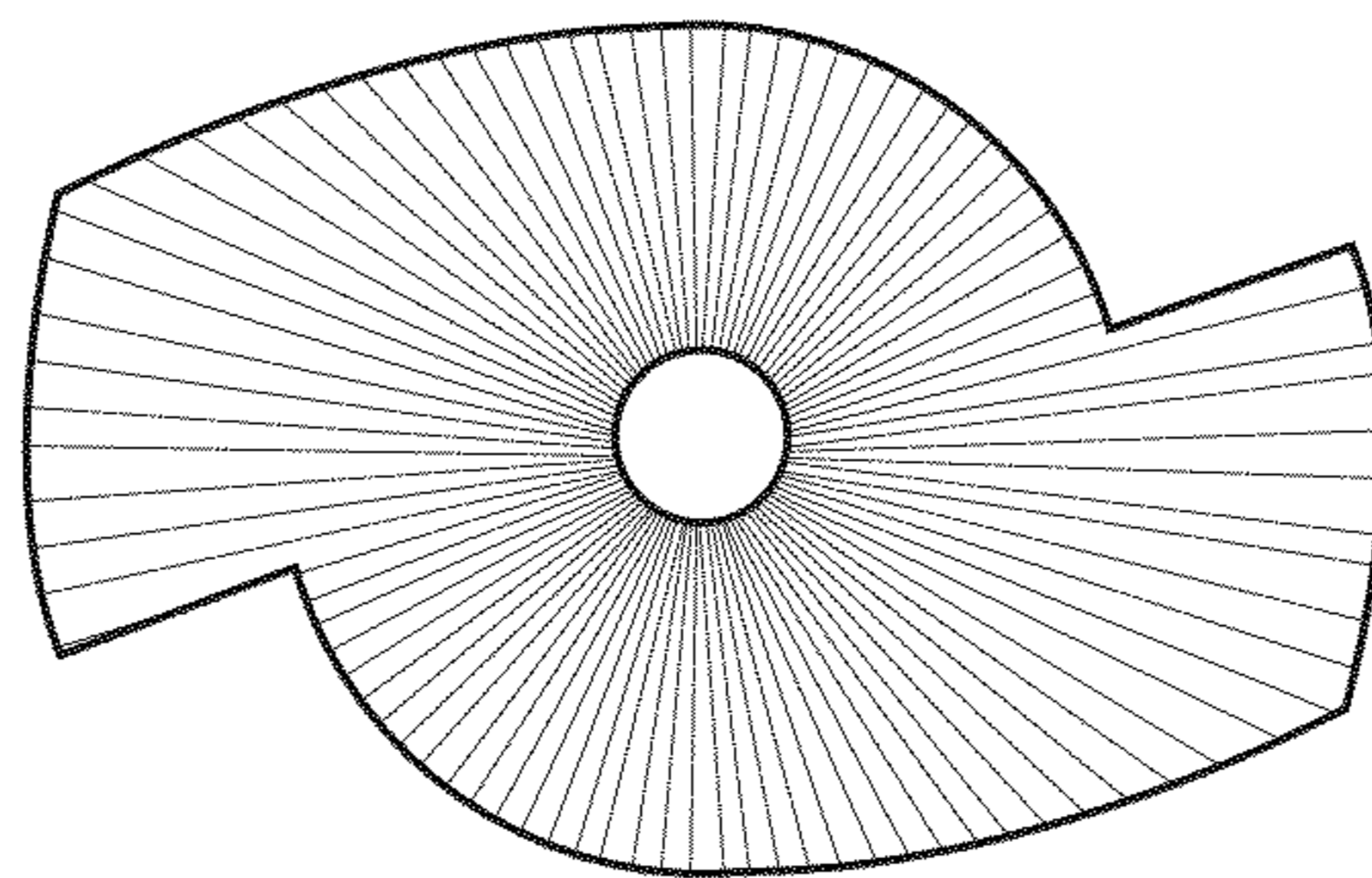


FIG. 7

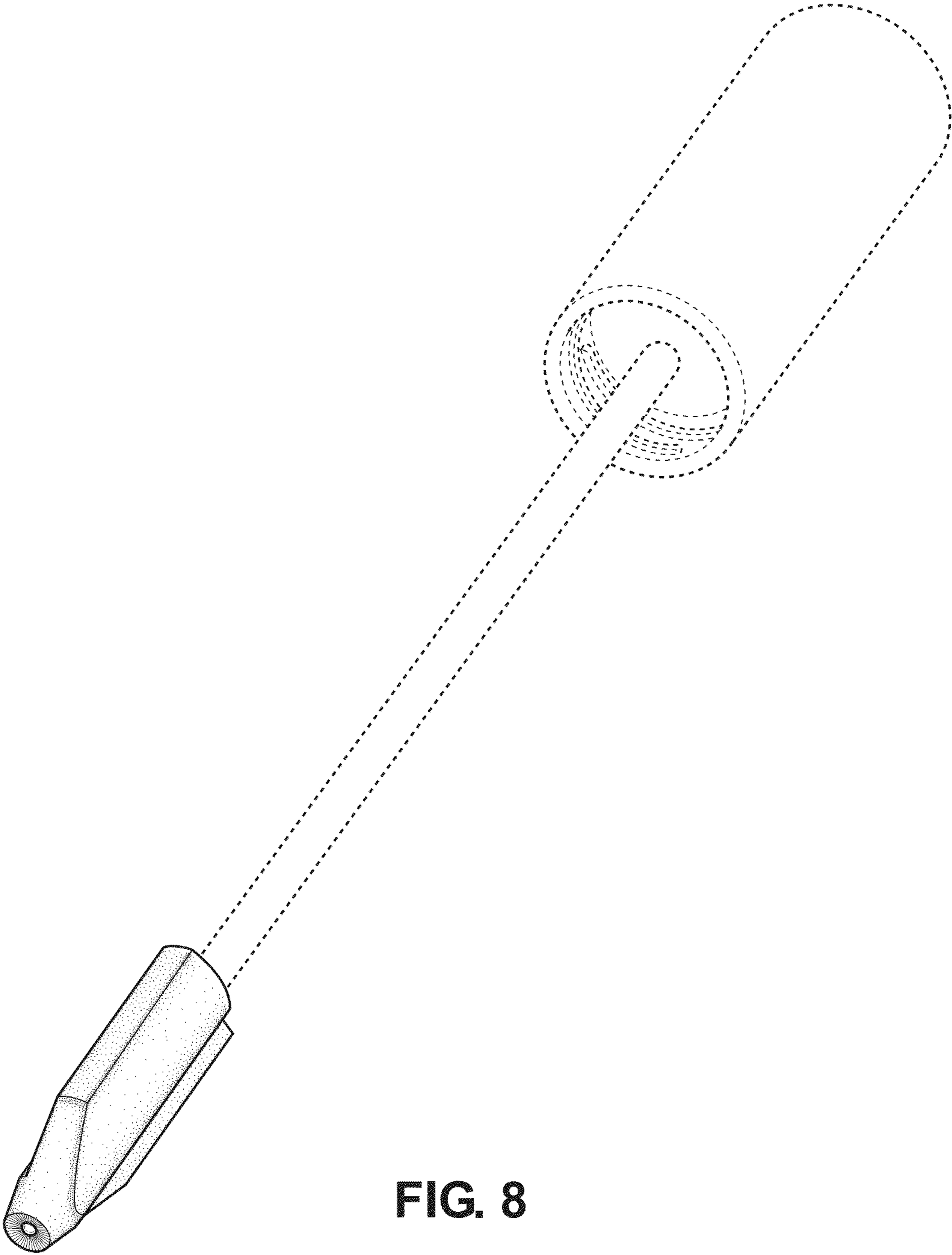


FIG. 8