

US00D735936S

(12) **United States Design Patent**
Liu

(10) **Patent No.:** **US D735,936 S**
(45) **Date of Patent:** **** Aug. 4, 2015**

(54) **ELECTRONIC CIGARETTE CASE**

(71) Applicant: **Qiuming Liu**, Shenzhen (CN)

(72) Inventor: **Qiuming Liu**, Shenzhen (CN)

(73) Assignee: **KIMREE HI-TECH INC.**, Tortola (VG)

(**) Term: **14 Years**

(21) Appl. No.: **29/460,448**

(22) Filed: **Jul. 10, 2013**

(30) **Foreign Application Priority Data**

Apr. 27, 2013 (CN) 2013 3 0145581

(51) **LOC (10) Cl.** **27-06**

(52) **U.S. Cl.**
USPC **D27/189**

(58) **Field of Classification Search**

USPC D27/129, 144, 172, 174, 175, 183, 186,
D27/187, 189-191, 193, 194; D9/420, 423,
D9/504, 529, 545, 686, 688; D13/108;
206/242, 249, 250, 256, 259, 261, 264,
206/265, 267, 268; D3/273, 294;
131/270-273, 329-330, 347
CPC A24F 13/14; A24F 9/16; A24F 15/00;
A24F 15/12; A24F 15/14; A24F 15/18;
A24F 15/005; A24F 15/20; A24F 23/00;
A24F 23/04

See application file for complete search history.

(56) **References Cited**

U.S. PATENT DOCUMENTS

D613,903	S	*	4/2010	Wu	D27/189
D683,898	S	*	6/2013	Liu	D27/189
D690,461	S	*	9/2013	Chen	D27/187
8,794,245	B1	*	8/2014	Scatterday	131/329
D719,701	S	*	12/2014	Scatterday	D27/189
D723,734	S	*	3/2015	Liu	D27/189
D723,735	S	*	3/2015	Liu	D27/189
D723,736	S	*	3/2015	Liu	D27/189
D723,737	S	*	3/2015	Liu	D27/189
D723,738	S	*	3/2015	Liu	D27/189
D725,823	S	*	3/2015	Scatterday et al.	D27/189
2012/0227753	A1	*	9/2012	Newton	131/347
2013/0248385	A1	*	9/2013	Scatterday et al.	206/86
2014/0196731	A1	*	7/2014	Scatterday	131/329

* cited by examiner

Primary Examiner — Susan Bennett Hattan

Assistant Examiner — Janice Hallmark

(74) *Attorney, Agent, or Firm* — Cheng-Ju Chiang

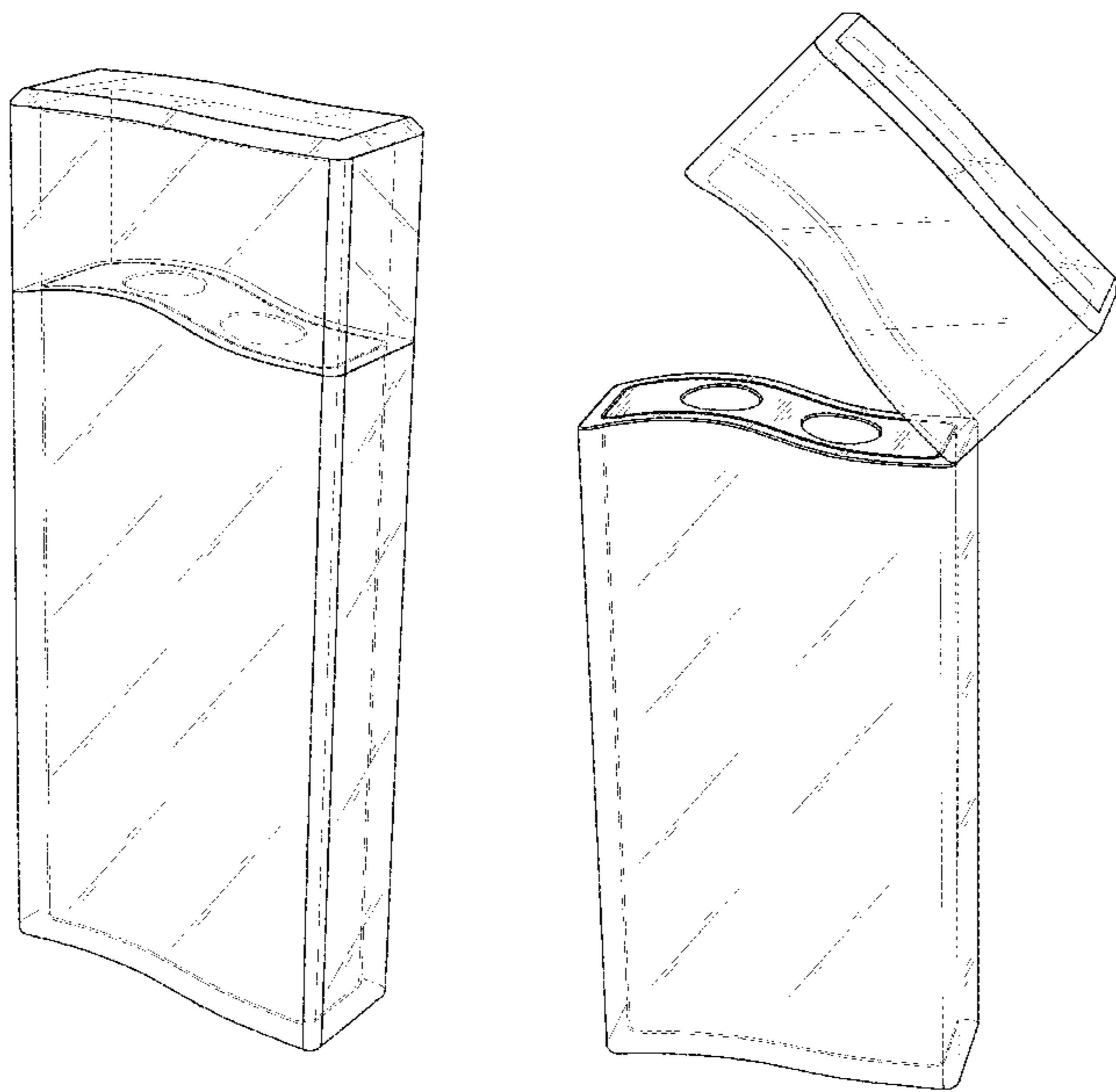
(57) **CLAIM**

The ornamental design for an “electronic cigarette case,” as shown and described.

DESCRIPTION

FIG. 1 is a top, front and right side perspective view of an electronic cigarette case, which is transparent, showing my new design;
FIG. 2 is a front elevational view thereof;
FIG. 3 is a rear elevational view thereof;
FIG. 4 is a left side elevational view thereof;
FIG. 5 is a right side elevational view thereof;
FIG. 6 is a top plan view thereof;
FIG. 7 is a bottom plan view thereof; and,
FIG. 8 is a top, front and right side perspective view of the electronic cigarette case with a cover thereof being flipped.

1 Claim, 8 Drawing Sheets



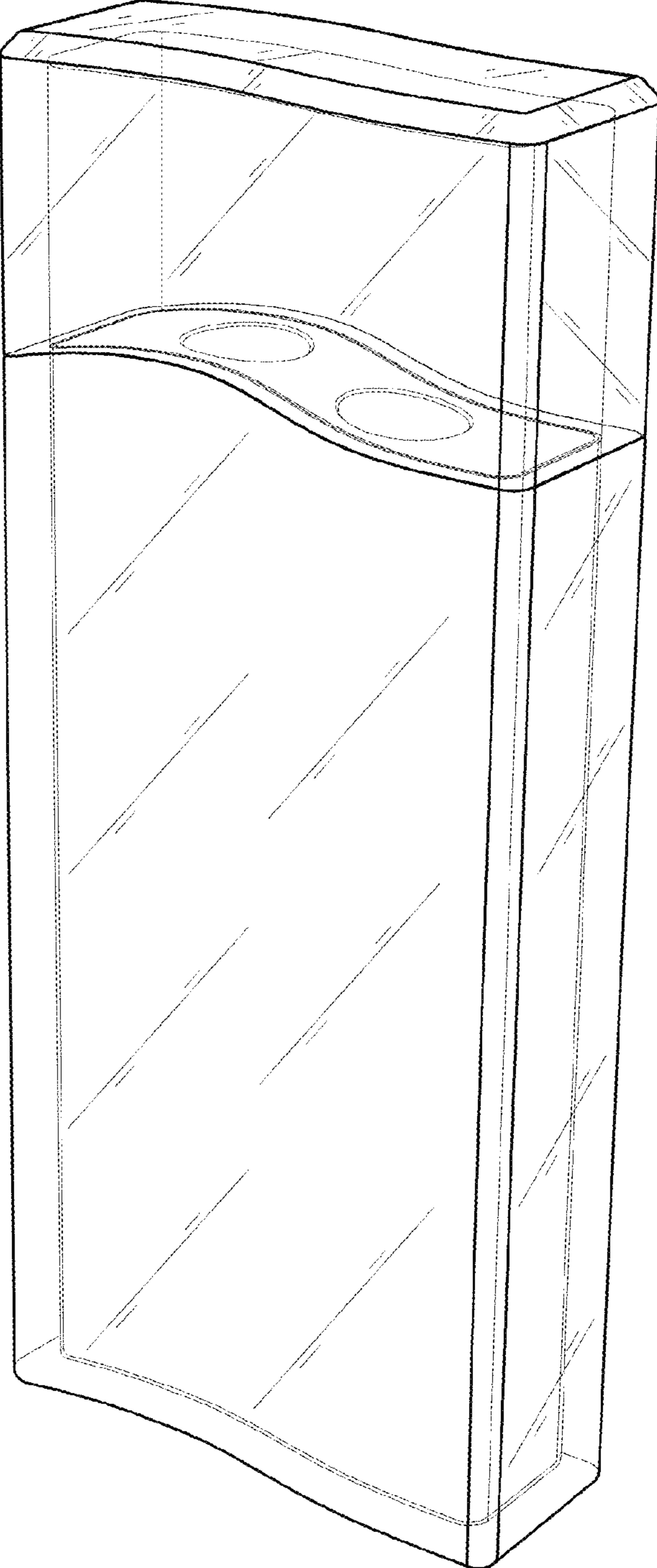


FIG. 1

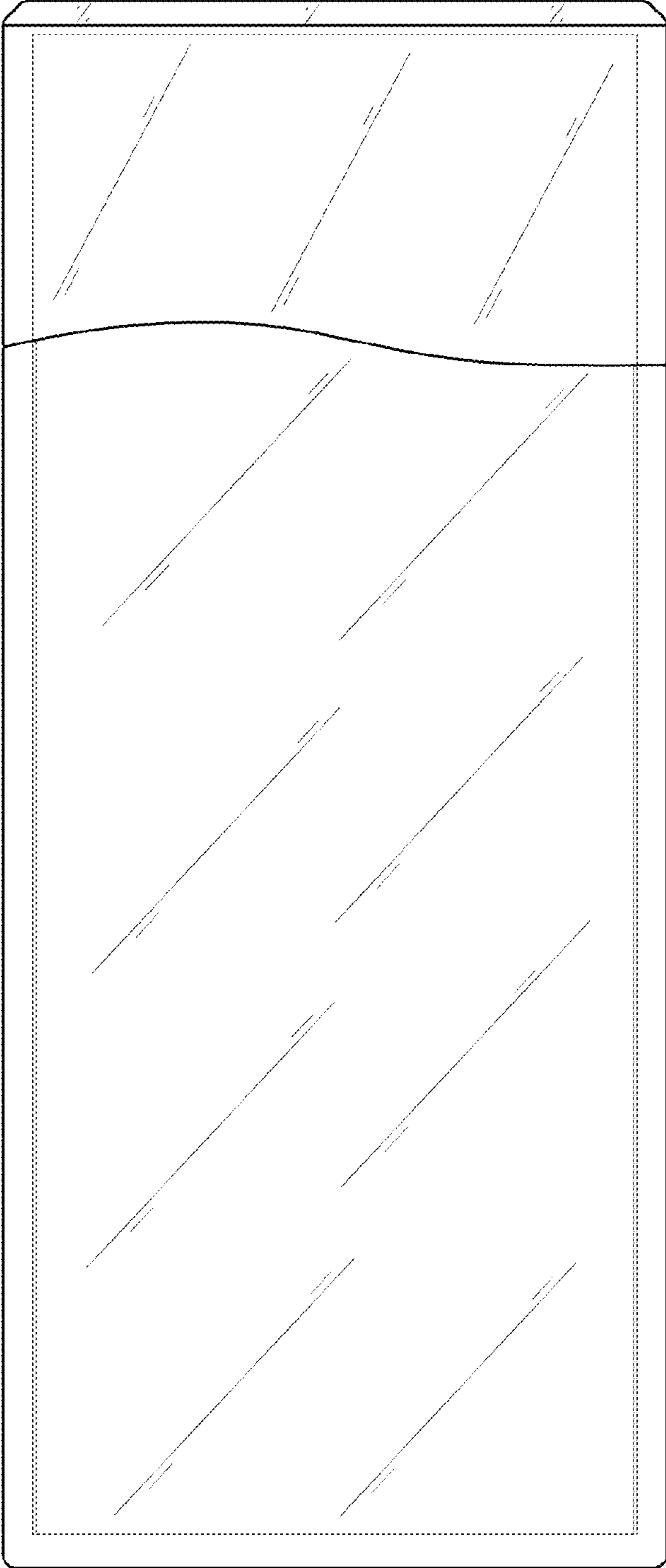


FIG. 2

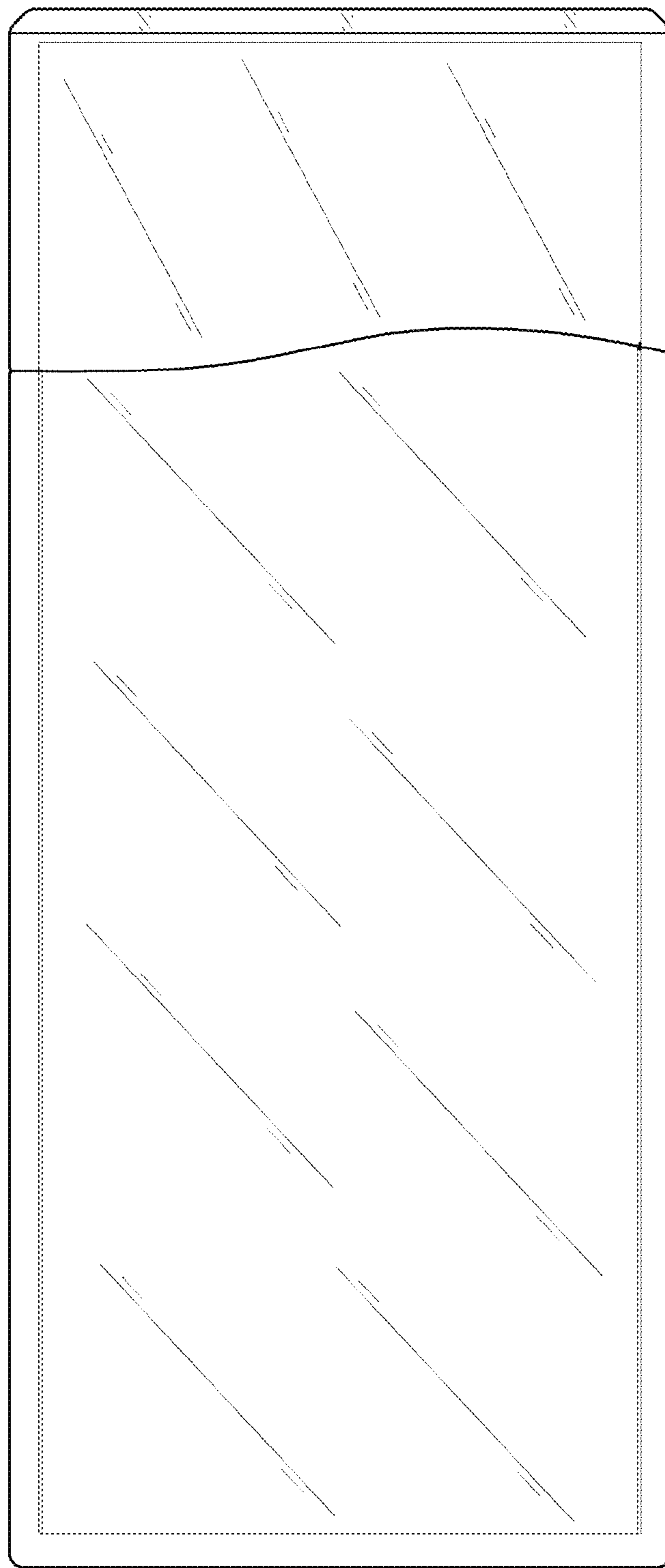


FIG. 3

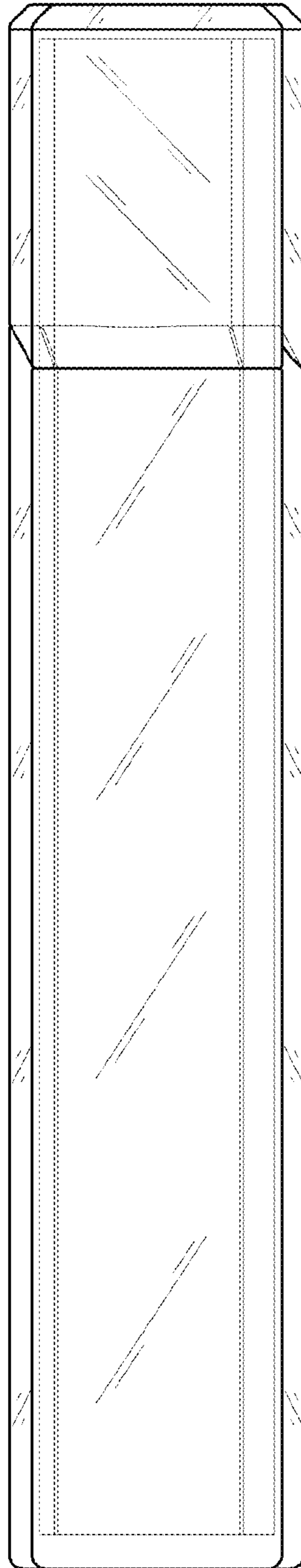


FIG. 4

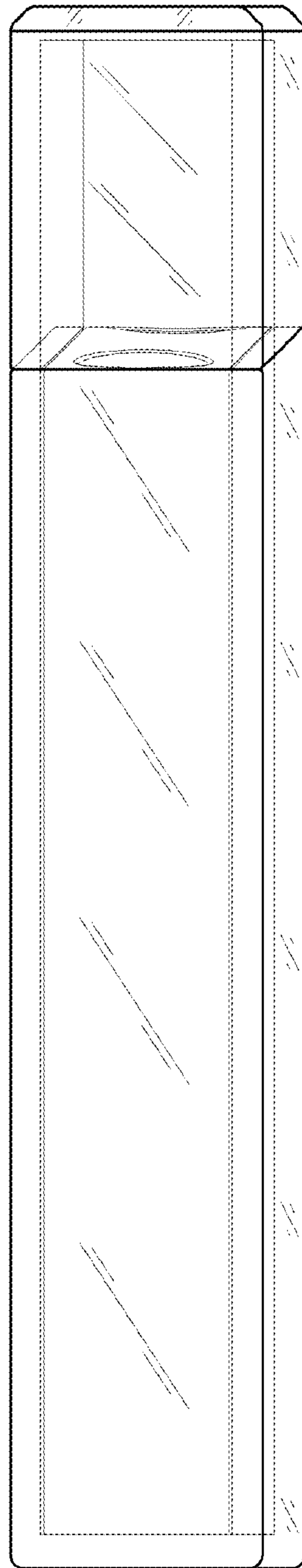


FIG. 5

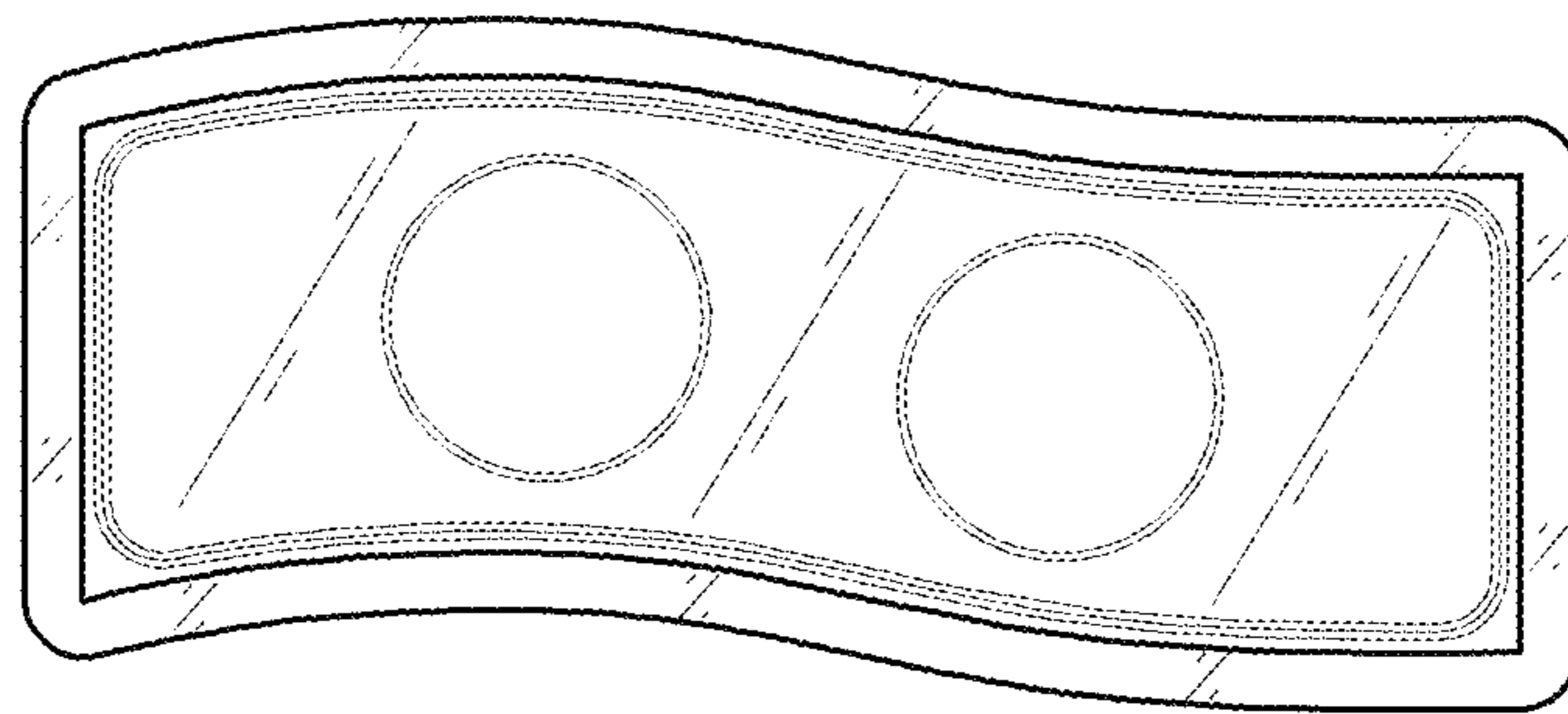


FIG. 6

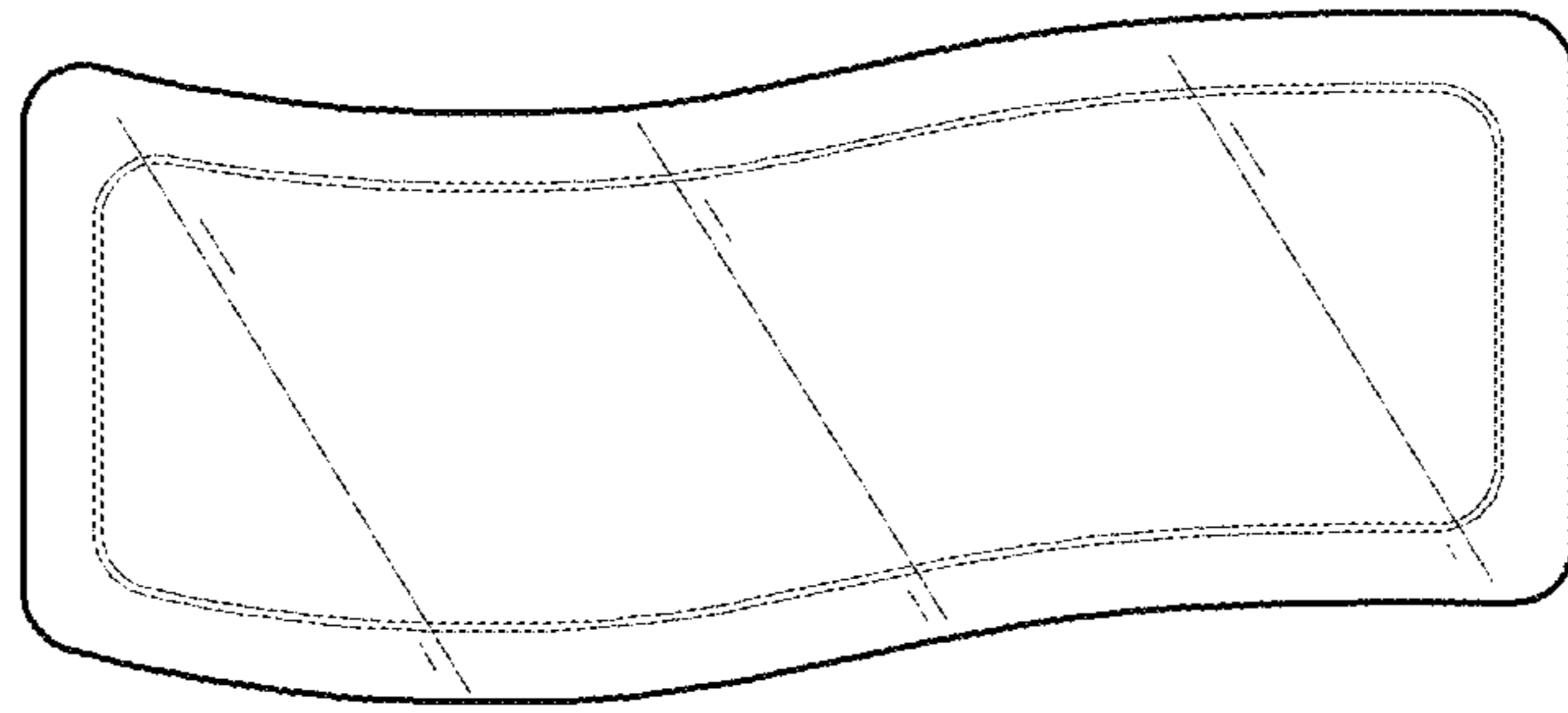


FIG. 7

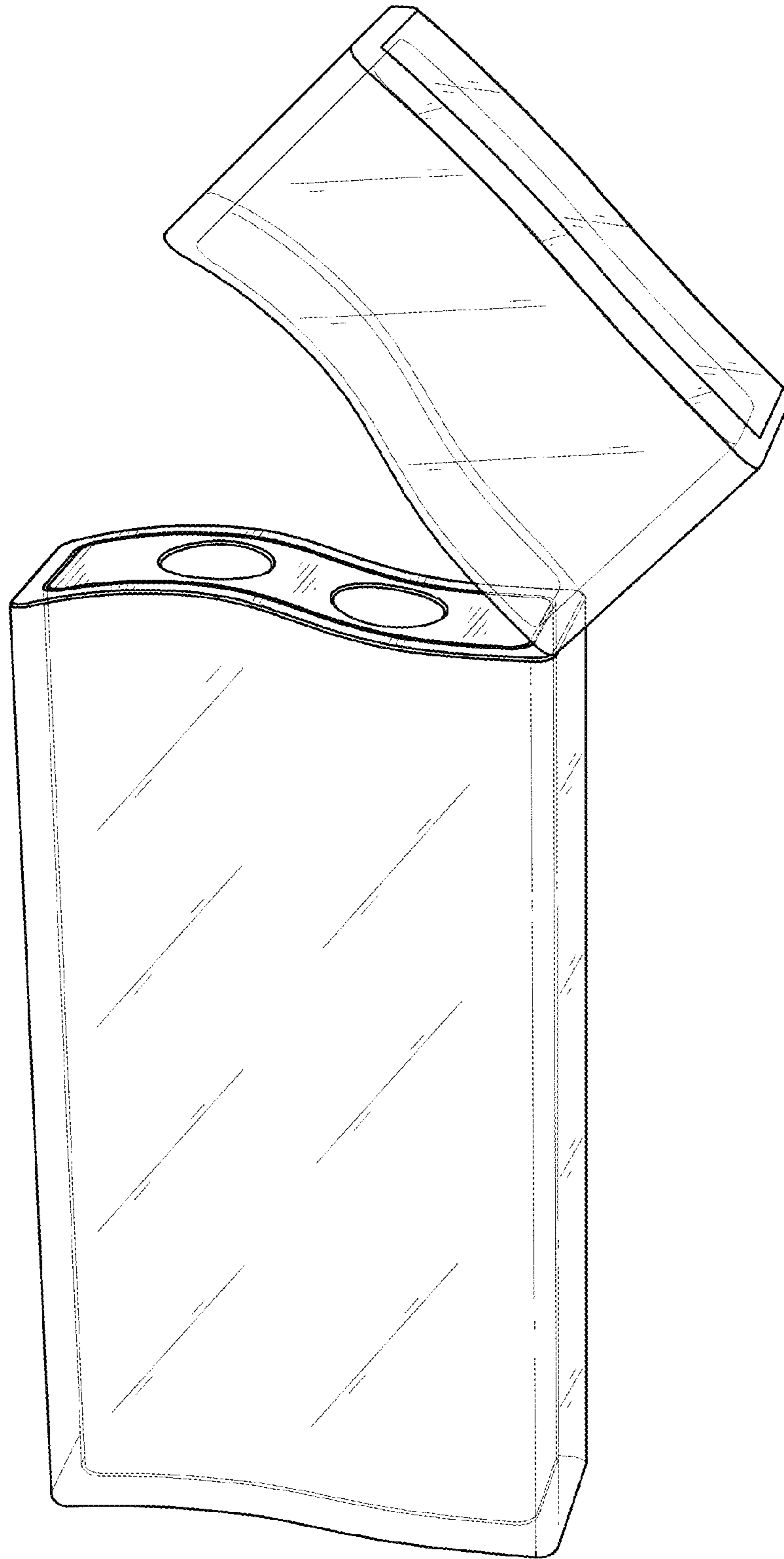


FIG. 8