



US00D735935S

(12) **United States Design Patent**
Burrell

(10) **Patent No.:** **US D735,935 S**

(45) **Date of Patent:** **** Aug. 4, 2015**

(54) **COMBINED HOLDER AND CASE FOR
E-CIGARETTE**

(71) Applicant: **Danny Lee Burrell**, Riverside, CA (US)

(72) Inventor: **Danny Lee Burrell**, Riverside, CA (US)

(**) Term: **14 Years**

(21) Appl. No.: **29/469,067**

(22) Filed: **Oct. 7, 2013**

(51) **LOC (10) Cl.** **27-06**

(52) **U.S. Cl.**
USPC **D27/183; D27/186**

(58) **Field of Classification Search**

USPC D27/129, 144, 172, 174, 175, 183, 186,
D27/187, 189-191, 193, 194; D9/420, 423,
D9/504, 529, 545, 686, 688; D13/108;
206/242, 249, 250, 256, 259, 261, 264,
206/265, 267, 268; D3/273, 294;
131/270-273, 329-330, 347
CPC A24F 13/14; A24F 9/16; A24F 15/00;
A24F 15/12; A24F 15/14; A24F 15/18;
A24F 15/005; A24F 15/20; A24F 23/00;
A24F 23/04
See application file for complete search history.

(56) **References Cited**

U.S. PATENT DOCUMENTS

1,928,041	A *	9/1933	Windesheim	206/496
D258,540	S *	3/1981	Kotuby et al.	D27/194
D277,034	S	1/1985	Ramsdell		
4,727,890	A	3/1988	Vicent		
4,774,970	A *	10/1988	Bell	131/175
D393,923	S	4/1998	Dimonekas		
D409,327	S *	5/1999	Brock	D27/136
5,934,894	A	8/1999	Cigler		
D420,169	S	2/2000	Cigler		
6,463,936	B1	10/2002	Hicks		
6,474,342	B1 *	11/2002	Rennecamp	131/241
D468,858	S *	1/2003	Fischer	D27/136
D522,689	S *	6/2006	Bores et al.	D27/136

D527,139	S	8/2006	Deahl		
D565,790	S	4/2008	Eisman		
D586,952	S *	2/2009	Bennett et al.	D27/136
D617,495	S	6/2010	LoRe		
D617,942	S	6/2010	LoRe		

(Continued)

Primary Examiner — Susan Bennett Hattan

Assistant Examiner — Janice Hallmark

(74) *Attorney, Agent, or Firm* — Kirk A. Buhler; Buhler & Associates

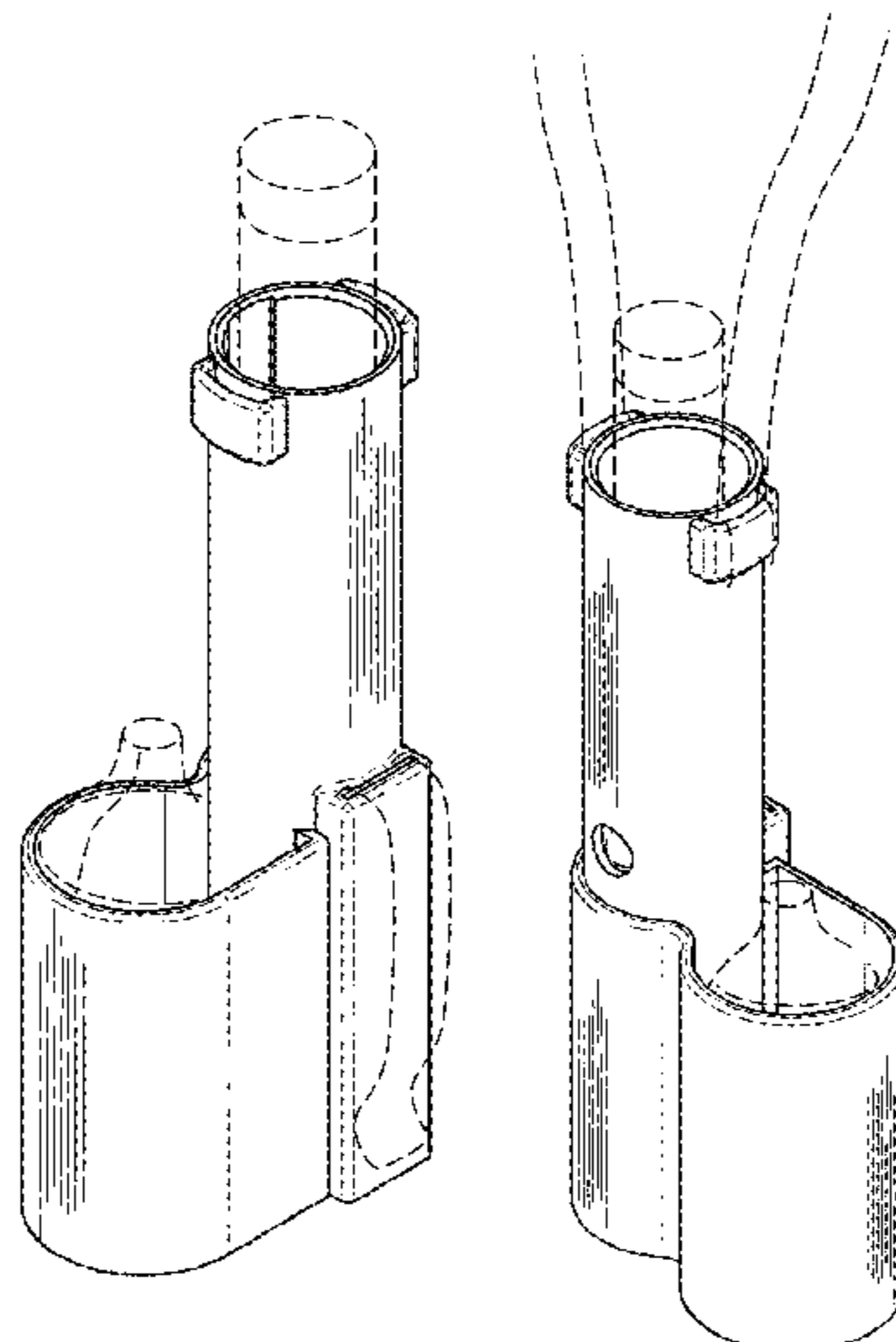
(57) **CLAIM**

The ornamental design for a combined holder and case for e-cigarette, as shown and described.

DESCRIPTION

FIG. 1 is a top rear perspective view for a combined holder and case for e-cigarette showing my new design; FIG. 2 is a bottom rear perspective view thereof; FIG. 3 is a left side view thereof; FIG. 4 is a front side view thereof; FIG. 5 is a right side view thereof; FIG. 6 is a back side view thereof; FIG. 7 is a top side view thereof; FIG. 8 is a bottom side view thereof; FIG. 9 is left sectional view taken along lines 9-9 from FIG. 8 thereof; FIG. 10 is back sectional view taken along lines 10-10 from FIG. 7 thereof; FIG. 11 is a lower back perspective exploded view thereof; FIG. 12 is a top rear perspective view shown in an environment of use thereof; and, FIG. 13 is a top front perspective view thereof shown in an environment of use. The broken lines in FIG. 12 depict environmental subject matter of an e-cigarette, e-cigarette liquid and a belt clip for the invention and form no part of the claimed design. The broken lines in FIG. 13 depict environmental subject matter of an e-cigarette, e-cigarette liquid and a necklace strap for the invention and form no part of the claimed design.

1 Claim, 7 Drawing Sheets



(56)

References Cited

U.S. PATENT DOCUMENTS

D618,392 S 6/2010 LoRe
D636,119 S 4/2011 Worlock
D669,631 S * 10/2012 Monty et al. D27/136
D680,263 S 4/2013 Braley

D692,614 S * 10/2013 Robinson D27/183
2005/0051183 A1 * 3/2005 Coulthard 131/256
2005/0236005 A1 * 10/2005 Bears et al. 131/235.1
2006/0275726 A1 * 12/2006 Koropsak 431/253
2007/0137658 A1 * 6/2007 Molloy 131/187
2009/0145448 A1 * 6/2009 Worlock et al. 131/185

* cited by examiner

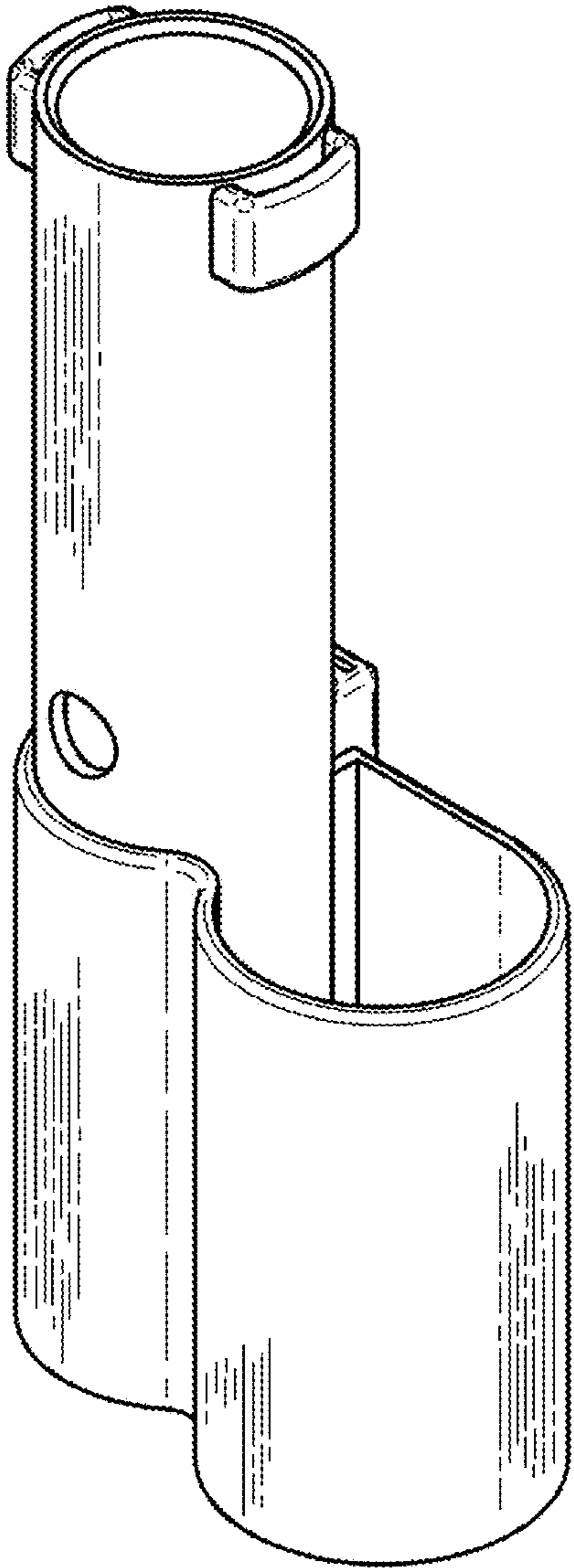


FIG. 1

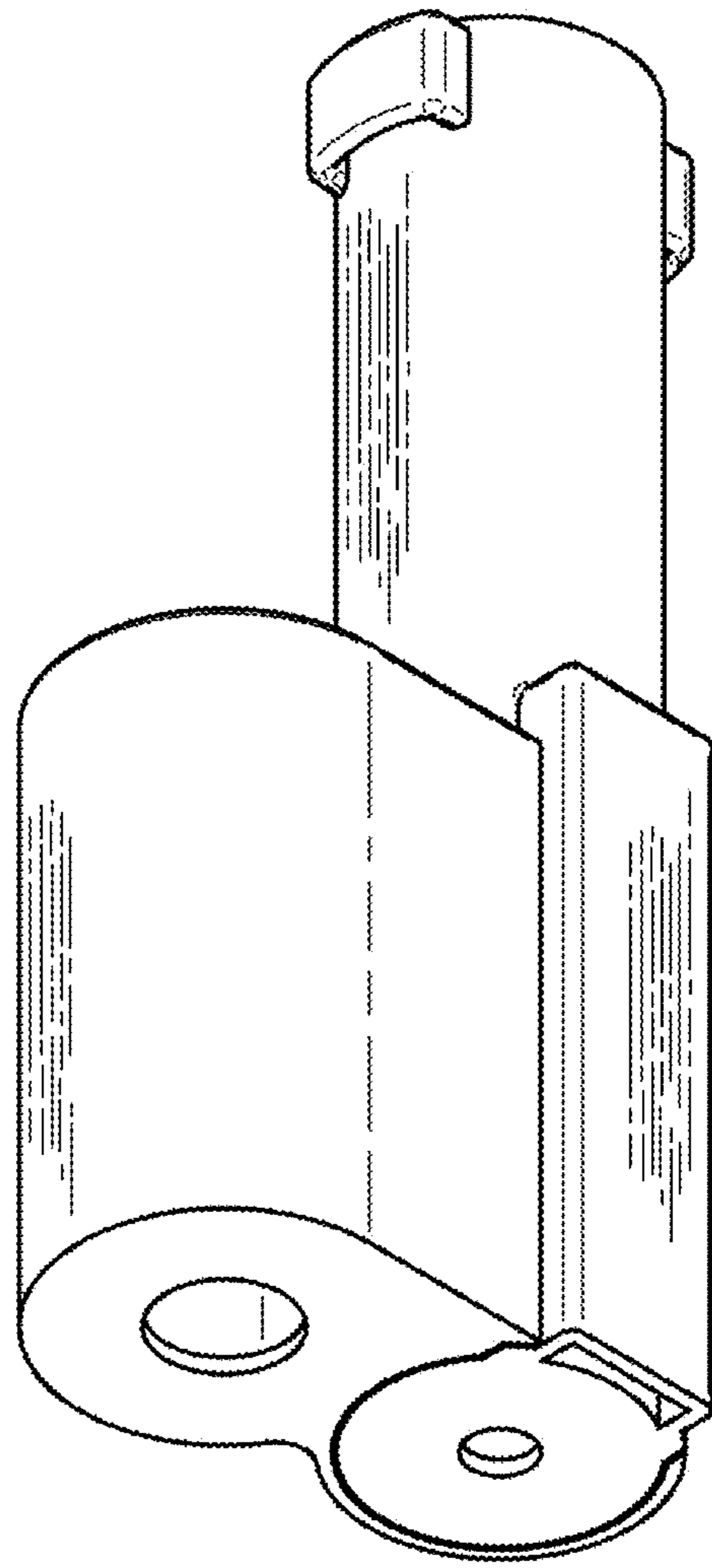


FIG. 2

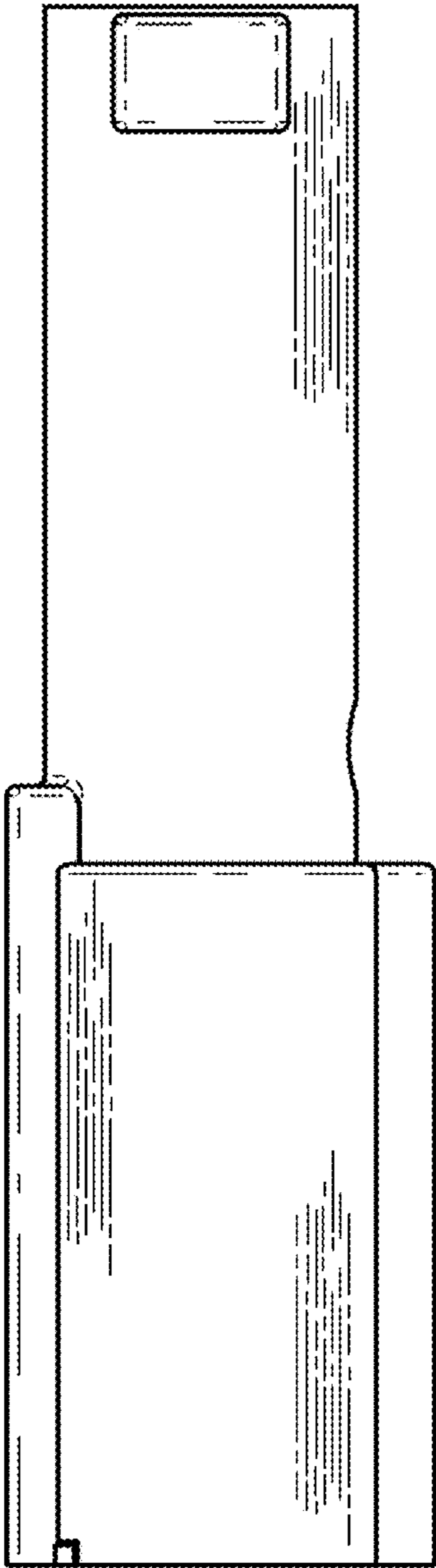


FIG. 3

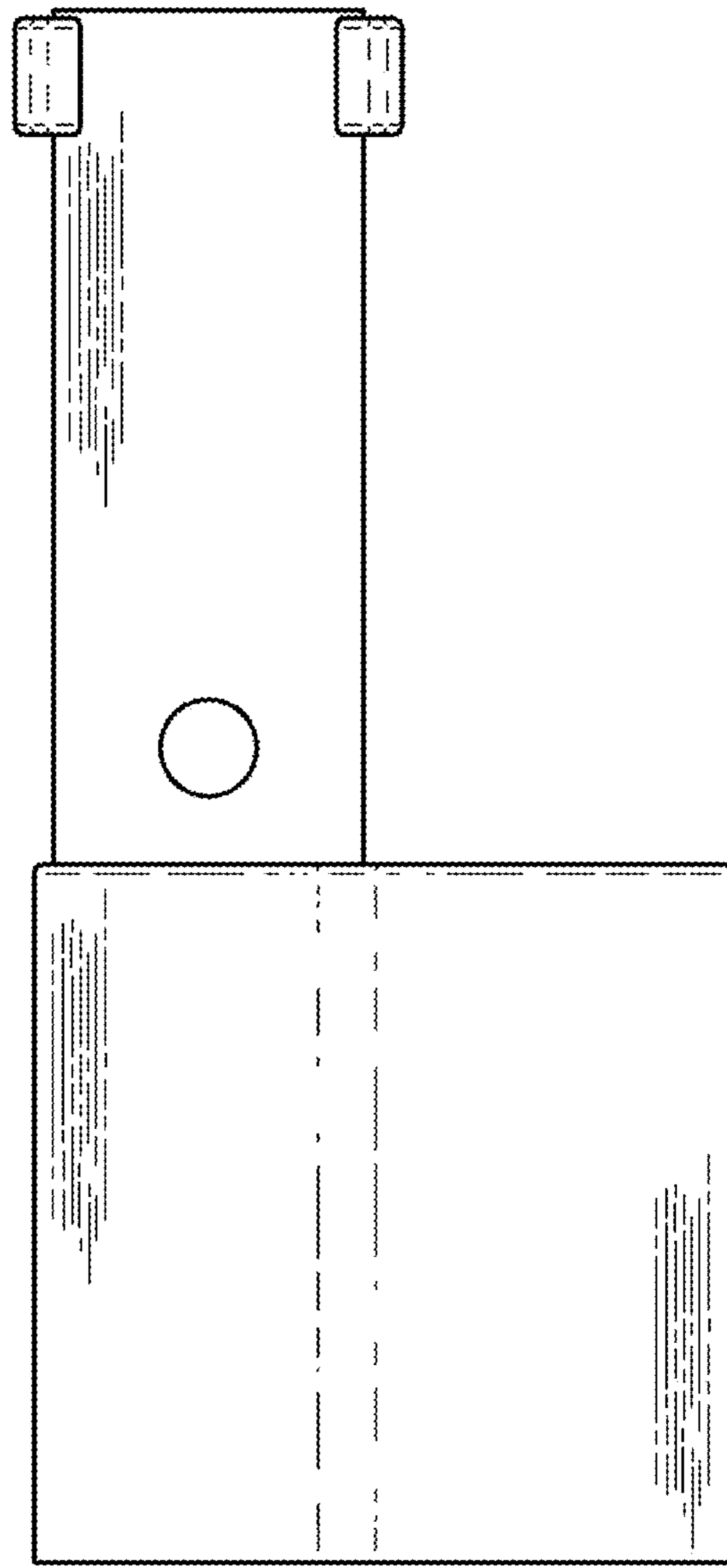


FIG. 4

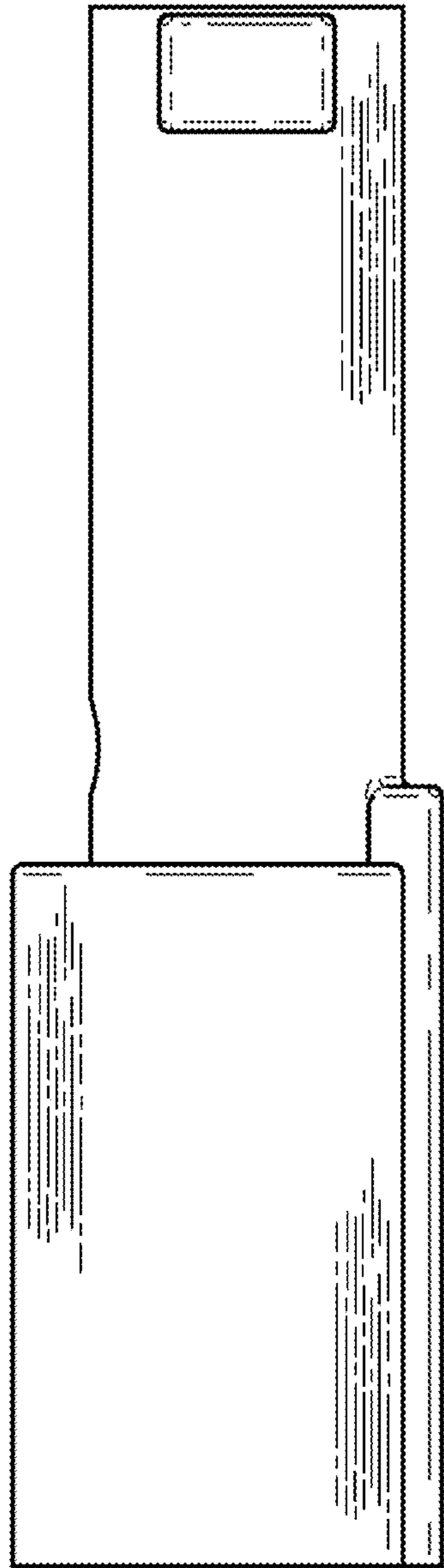


FIG. 5

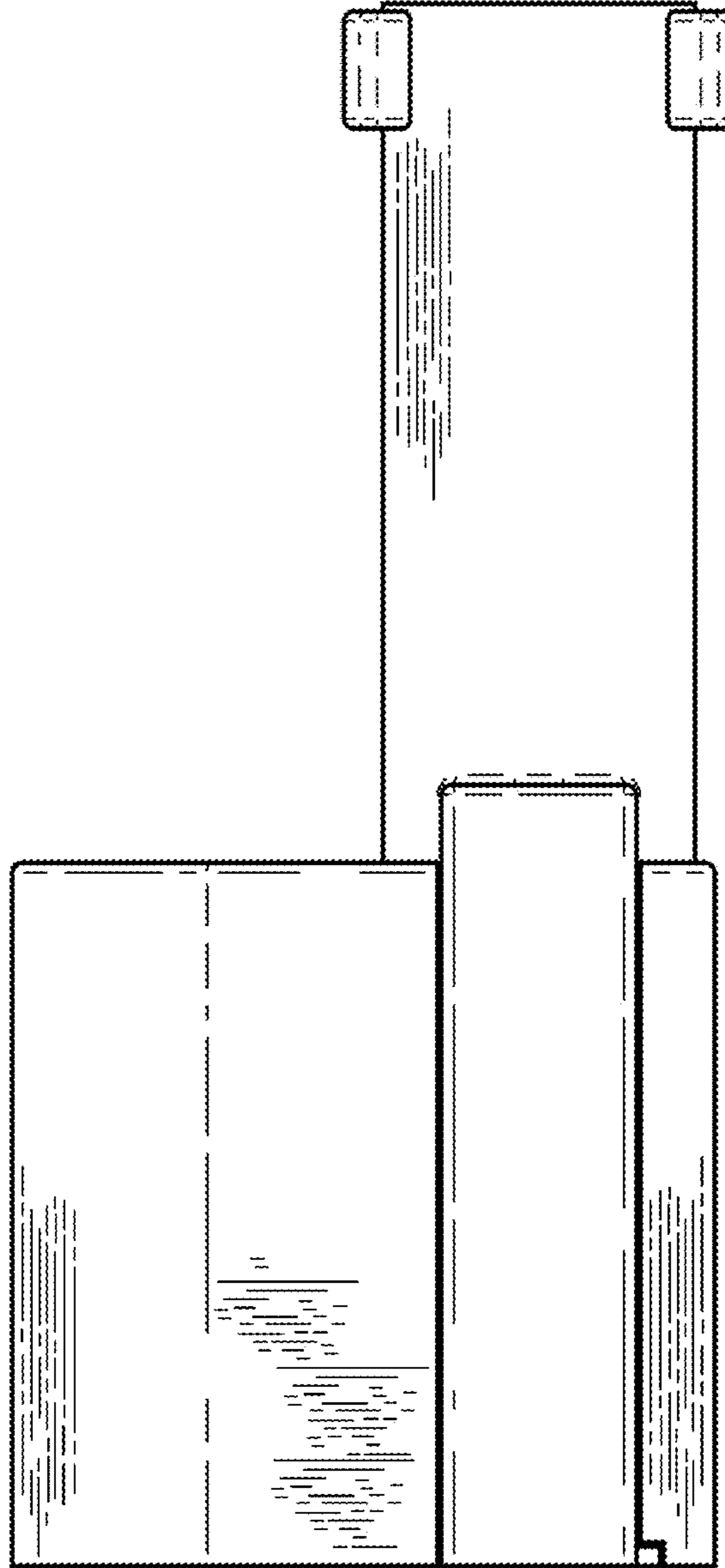


FIG. 6

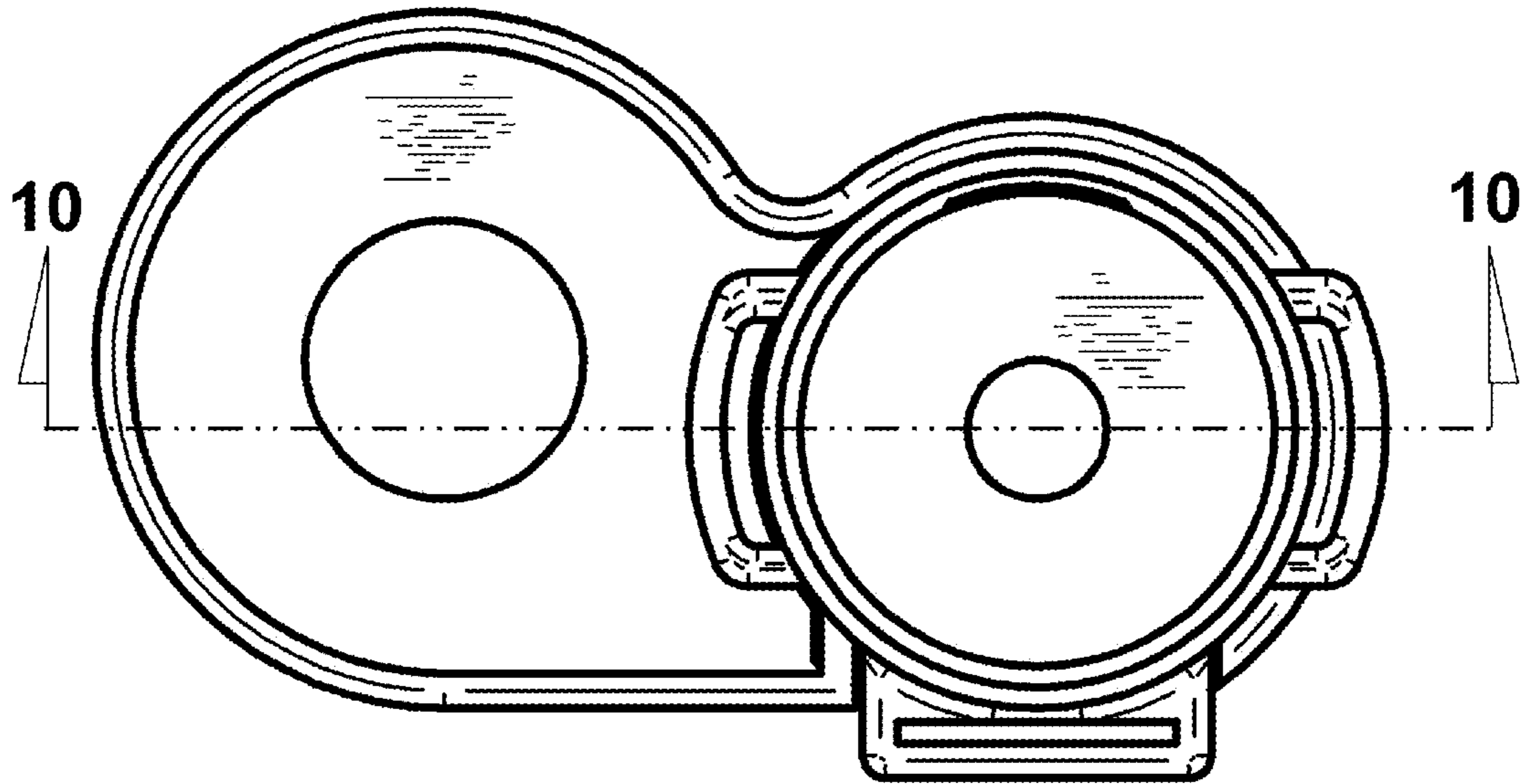


FIG. 7

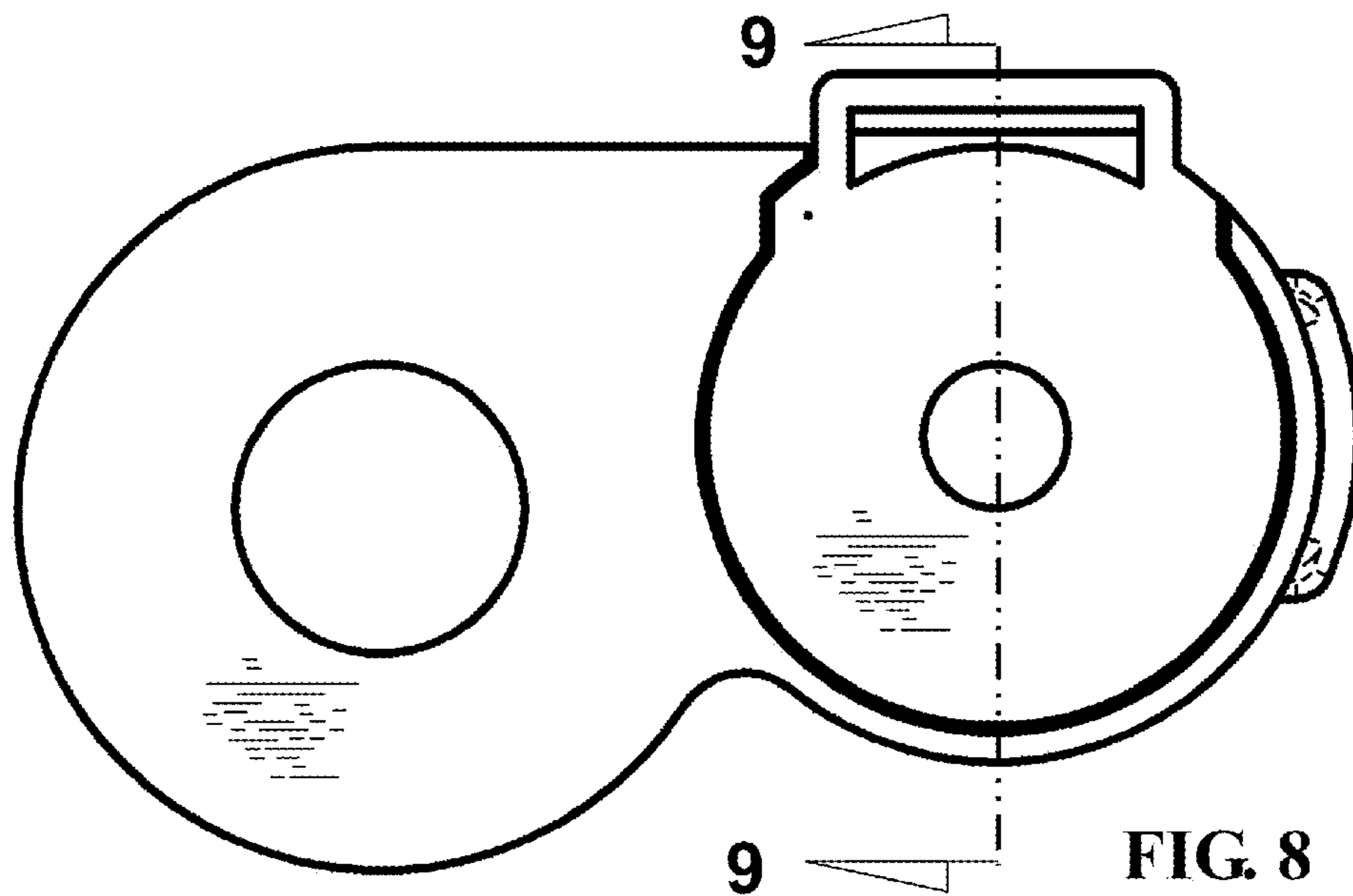


FIG. 8

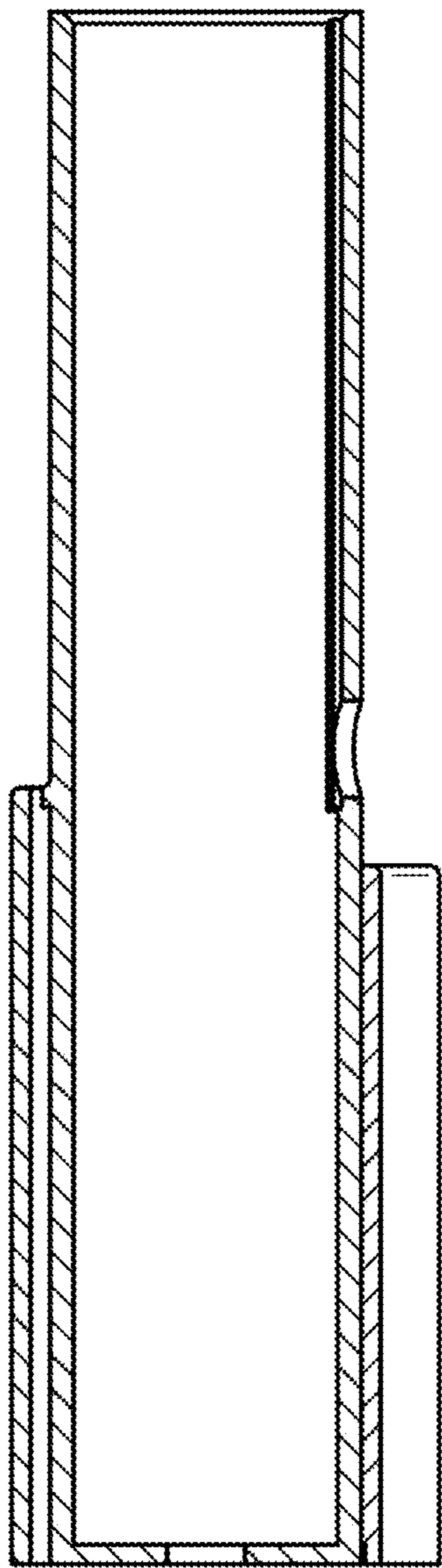


FIG. 9

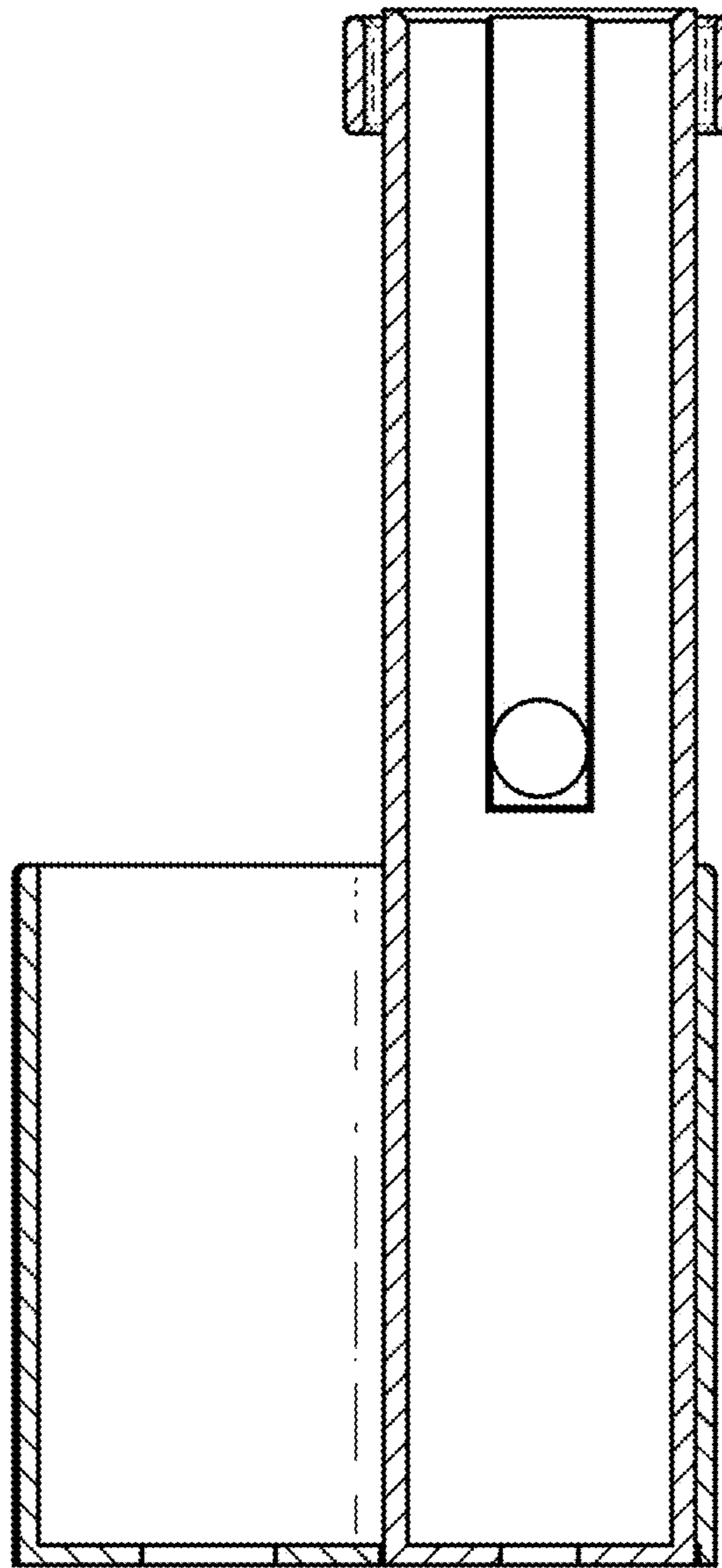


FIG. 10

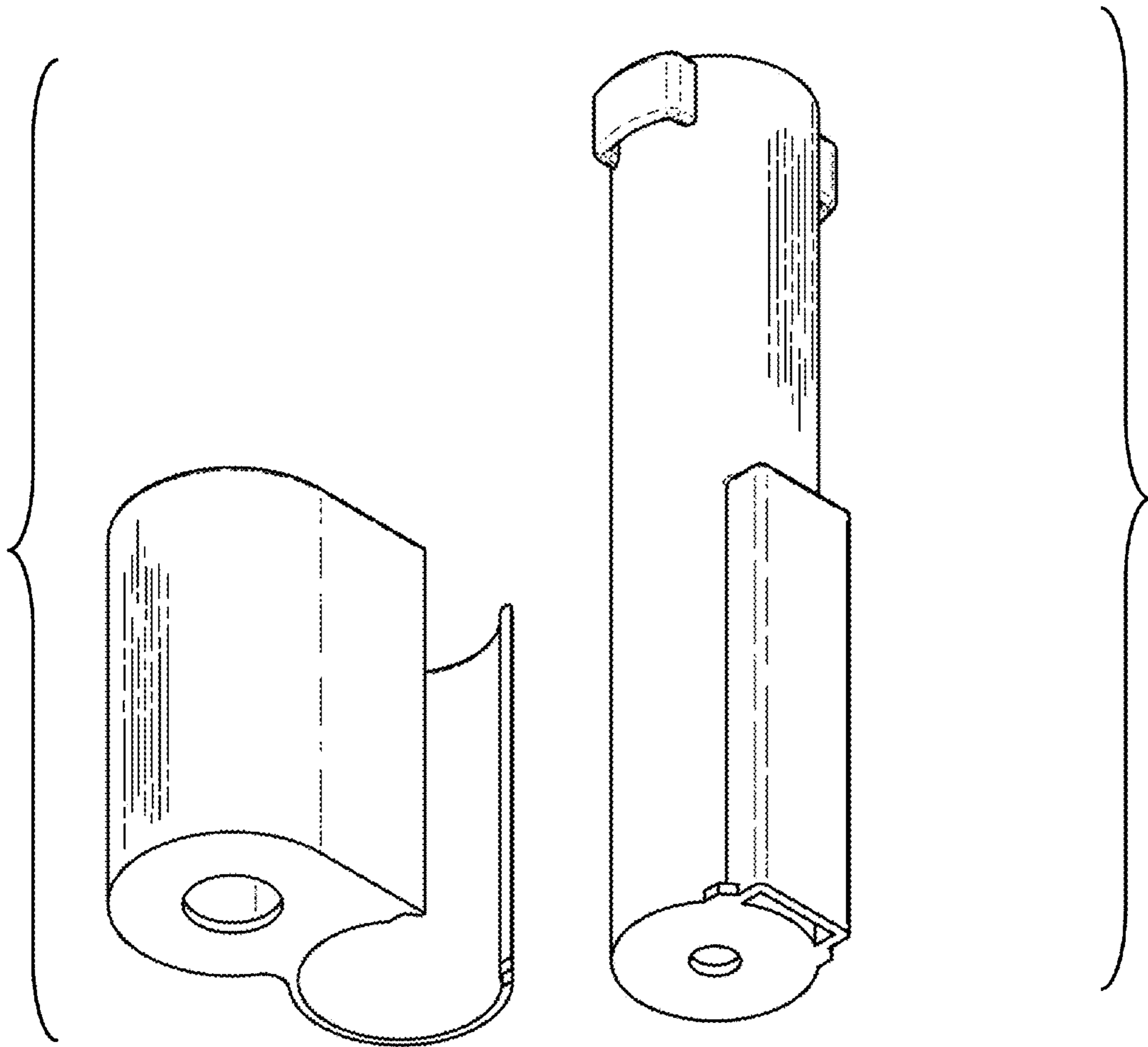


FIG. 11

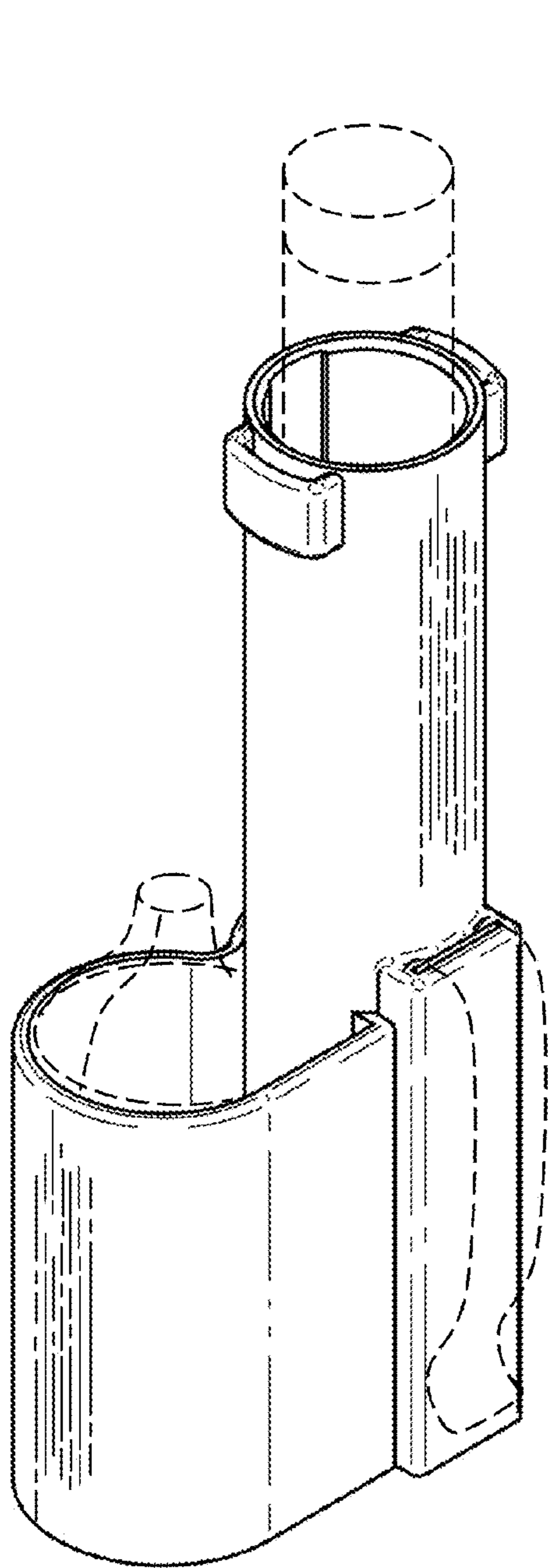


FIG. 12

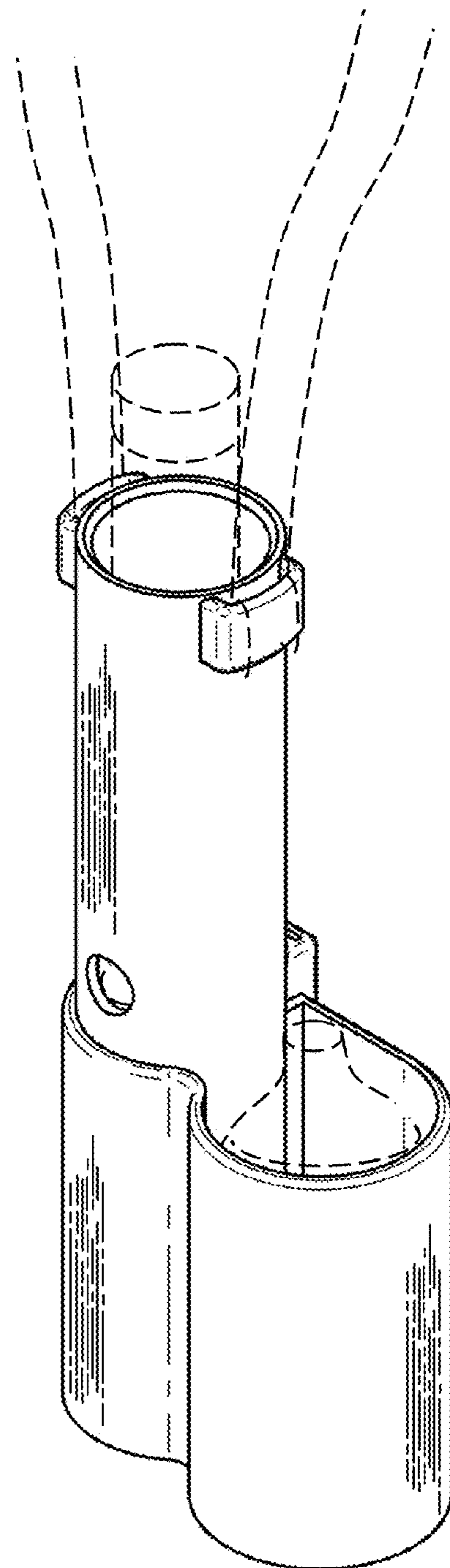


FIG. 13