



US00D735934S

(12) **United States Design Patent**  
**Saikaly**

(10) **Patent No.:** **US D735,934 S**

(45) **Date of Patent:** **\*\* Aug. 4, 2015**

(54) **MOUTH TIP**

(71) Applicant: **Robert Saikaly**, Brooklyn, NY (US)

(72) Inventor: **Robert Saikaly**, Brooklyn, NY (US)

(\*\*) Term: **14 Years**

(21) Appl. No.: **29/456,202**

(22) Filed: **May 29, 2013**

(51) **LOC (10) Cl.** ..... **27-02**

(52) **U.S. Cl.**  
USPC ..... **D27/169**

(58) **Field of Classification Search**  
USPC ..... D27/101, 102, 103, 104, 105, 118, 133,  
D27/156, 162, 166, 167, 169, 194, 199;  
131/173, 178, 220, 226, 235.1, 237.5,  
131/240.1, 256, 328; 128/202.21; D9/440;  
D7/523, 524, 532  
See application file for complete search history.

(56) **References Cited**

**U.S. PATENT DOCUMENTS**

D70,749 S *	8/1926	Dober	.....	D27/169
1,677,946 A *	7/1928	Badler	.....	131/179
D219,566 S *	12/1970	Fish	.....	D27/169
D234,111 S *	1/1975	Achenbach	.....	D7/524
D247,255 S *	2/1978	Frost	.....	D27/162
D248,572 S *	7/1978	Graham	.....	D27/162
D346,877 S *	5/1994	Melograno	.....	D27/169
D397,002 S *	8/1998	Smith	.....	D7/700
D413,002 S *	8/1999	Melograno	.....	D27/169
D415,655 S *	10/1999	Wilson	.....	D7/528

D514,901 S *	2/2006	Wang	.....	D7/700
D544,652 S *	6/2007	Nylen et al.	.....	D30/125
D560,105 S *	1/2008	McKenzie	.....	D7/700
D560,106 S *	1/2008	Curtin	.....	D7/700
D561,388 S *	2/2008	Kassir	.....	D27/162
D570,652 S *	6/2008	Nudi et al.	.....	D7/700
D617,939 S *	6/2010	Mansour et al.	.....	D27/169
D617,940 S *	6/2010	Mansour et al.	.....	D27/169
D619,431 S *	7/2010	Wax	.....	D7/700
D624,355 S *	9/2010	Tiso	.....	D7/387
D659,476 S *	5/2012	Guillot	.....	D7/524
D662,654 S *	6/2012	Trudnowski	.....	D27/167
D712,199 S *	9/2014	Borden et al.	.....	D7/397
D713,221 S *	9/2014	Meyer et al.	.....	D8/1

\* cited by examiner

*Primary Examiner* — Barbara Fox

*Assistant Examiner* — Chelsea Sealey

(74) *Attorney, Agent, or Firm* — Lawrence G. Fridman, Esq.

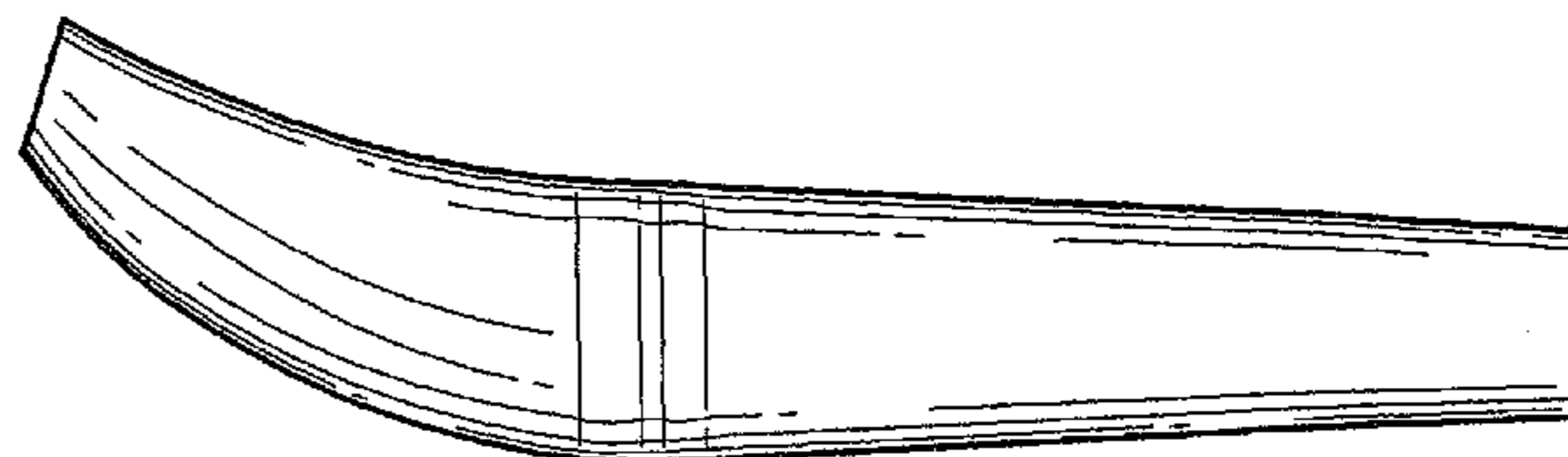
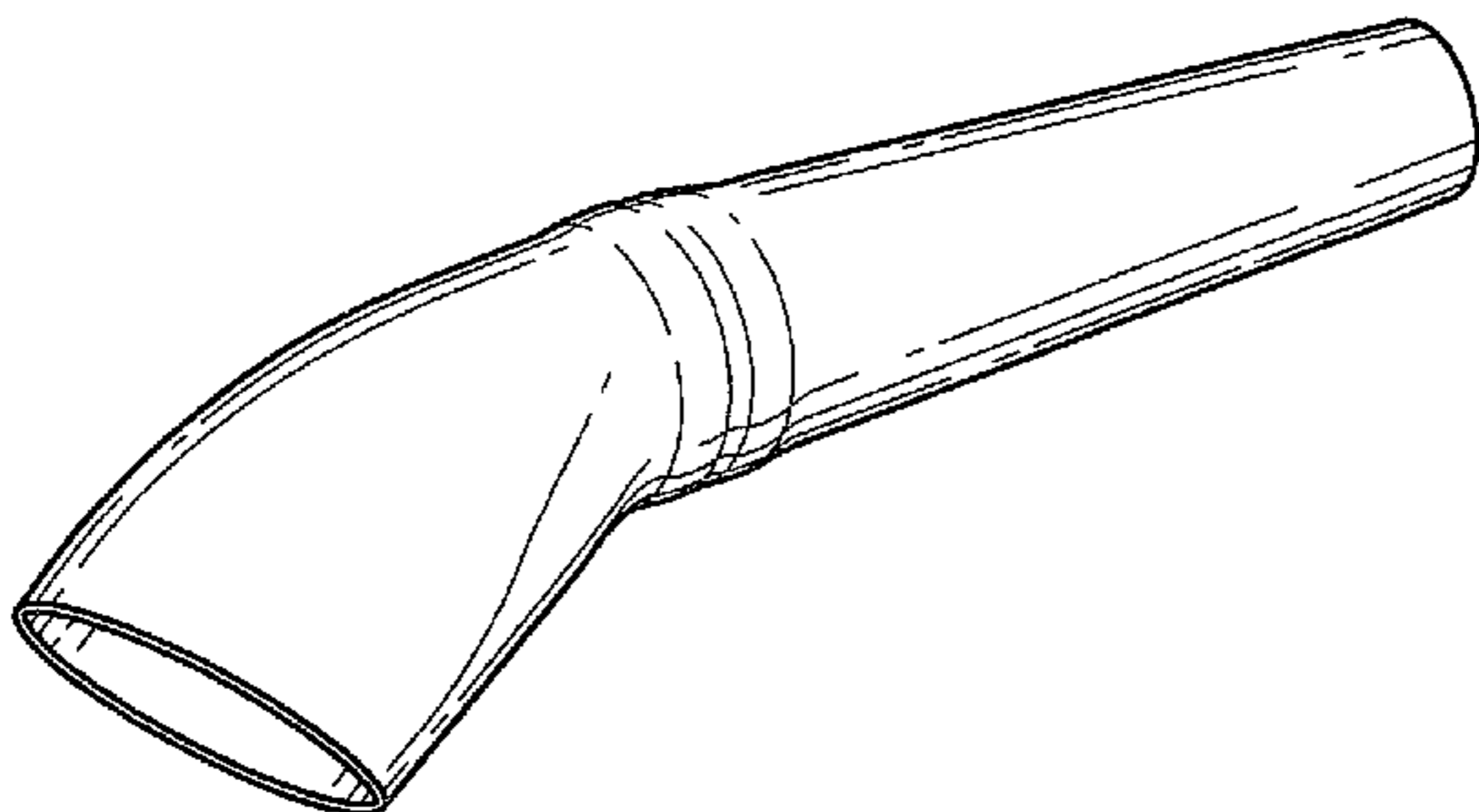
(57) **CLAIM**

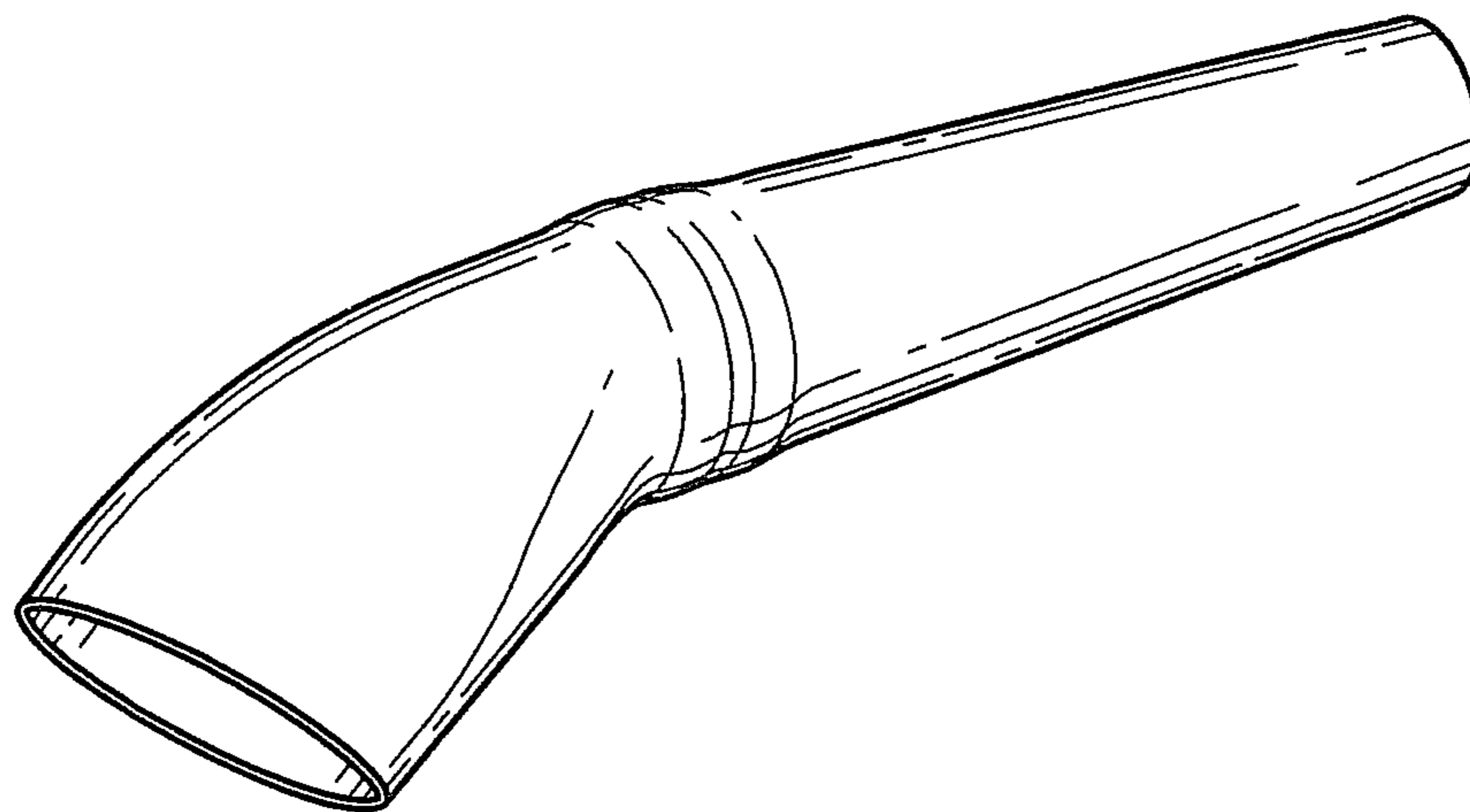
The ornamental design for a mouth tip, as shown and described.

**DESCRIPTION**

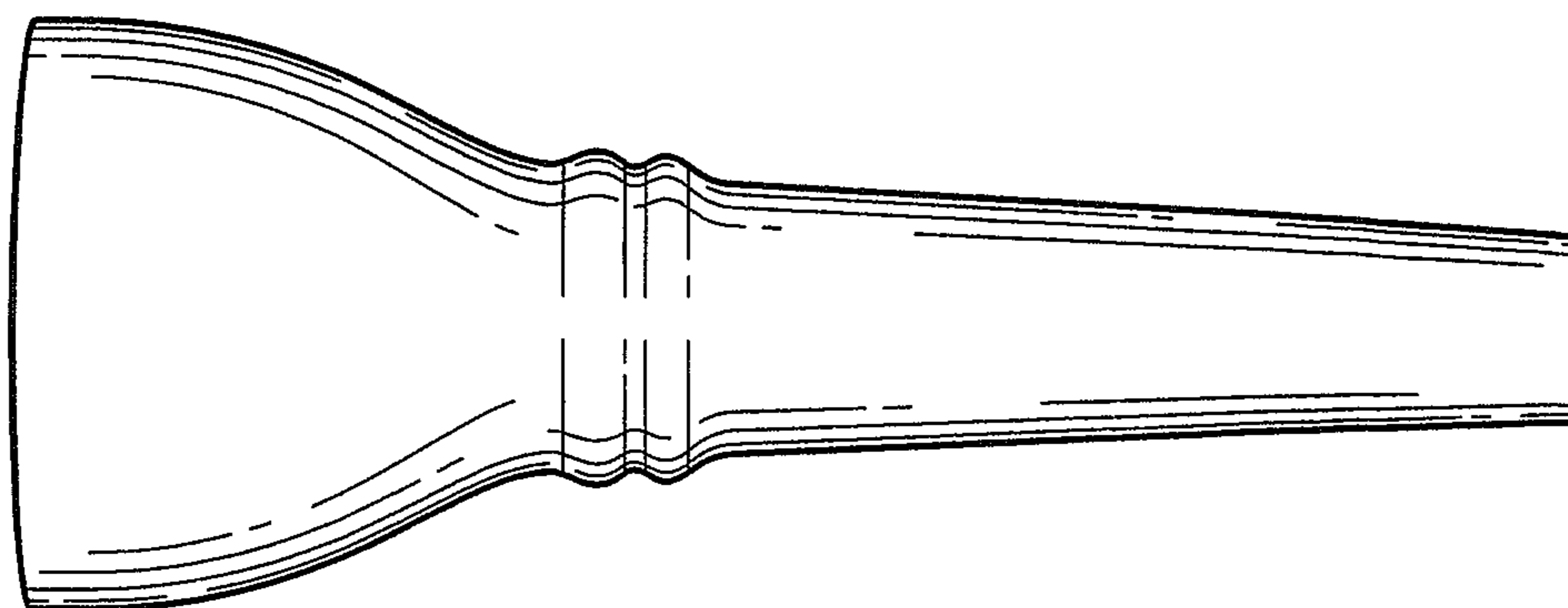
FIG. 1 is a front perspective view of a mouth tip showing my new design;  
FIG. 2 is a top plan view thereof;  
FIG. 3 is bottom plan view thereof;  
FIG. 4 is one side view thereof;  
FIG. 5 is another side view thereof;  
FIG. 6 is a rear view thereof; and,  
FIG. 7 is a front view thereof.

**1 Claim, 2 Drawing Sheets**

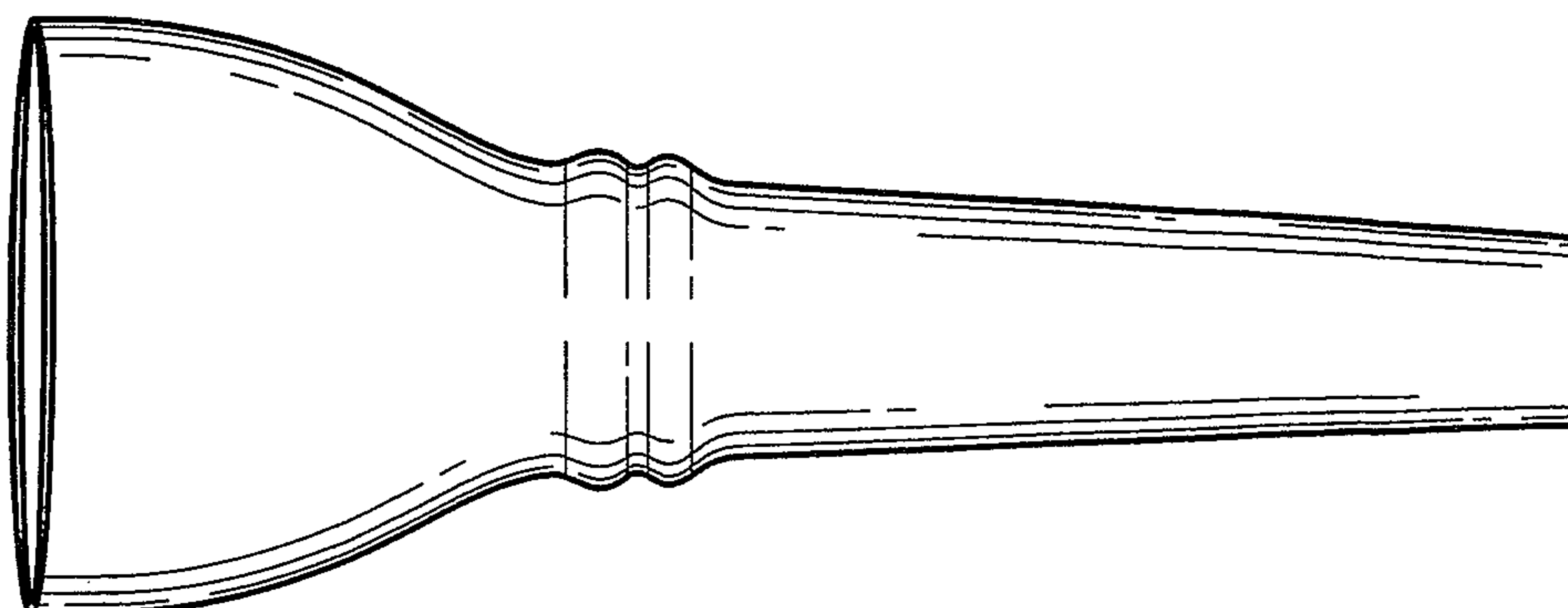




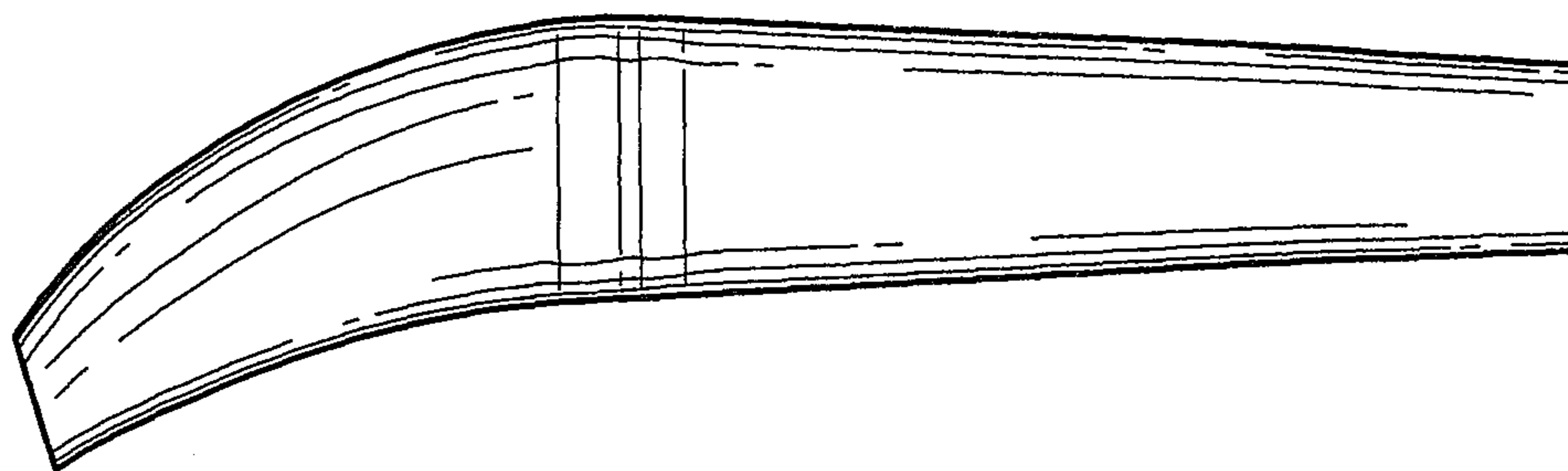
*FIG. 1*



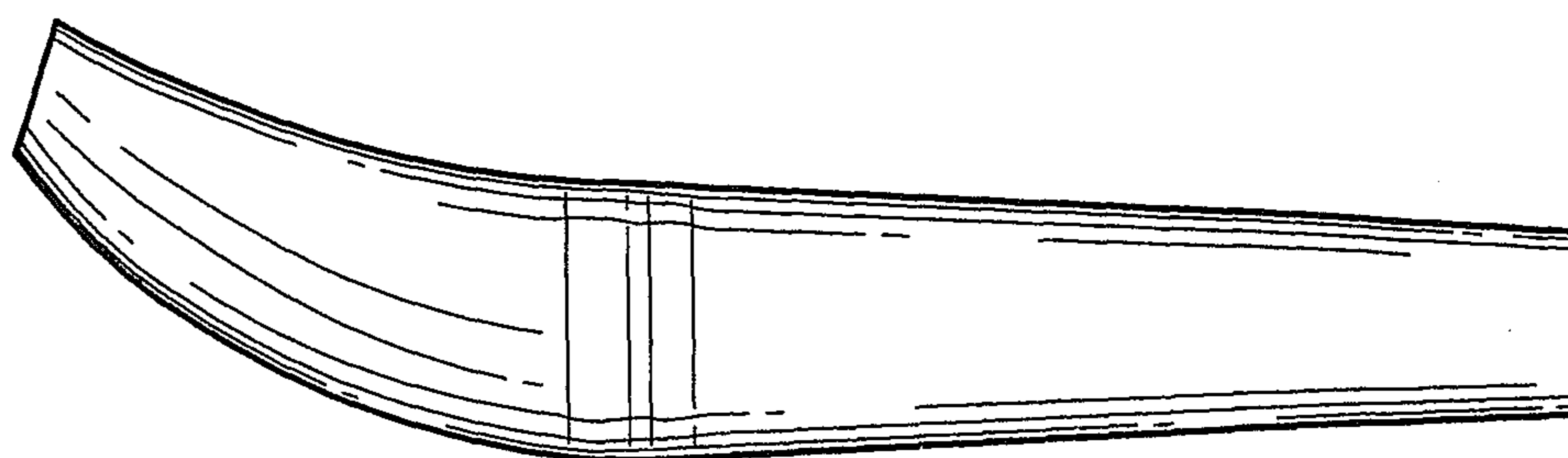
*FIG. 2*



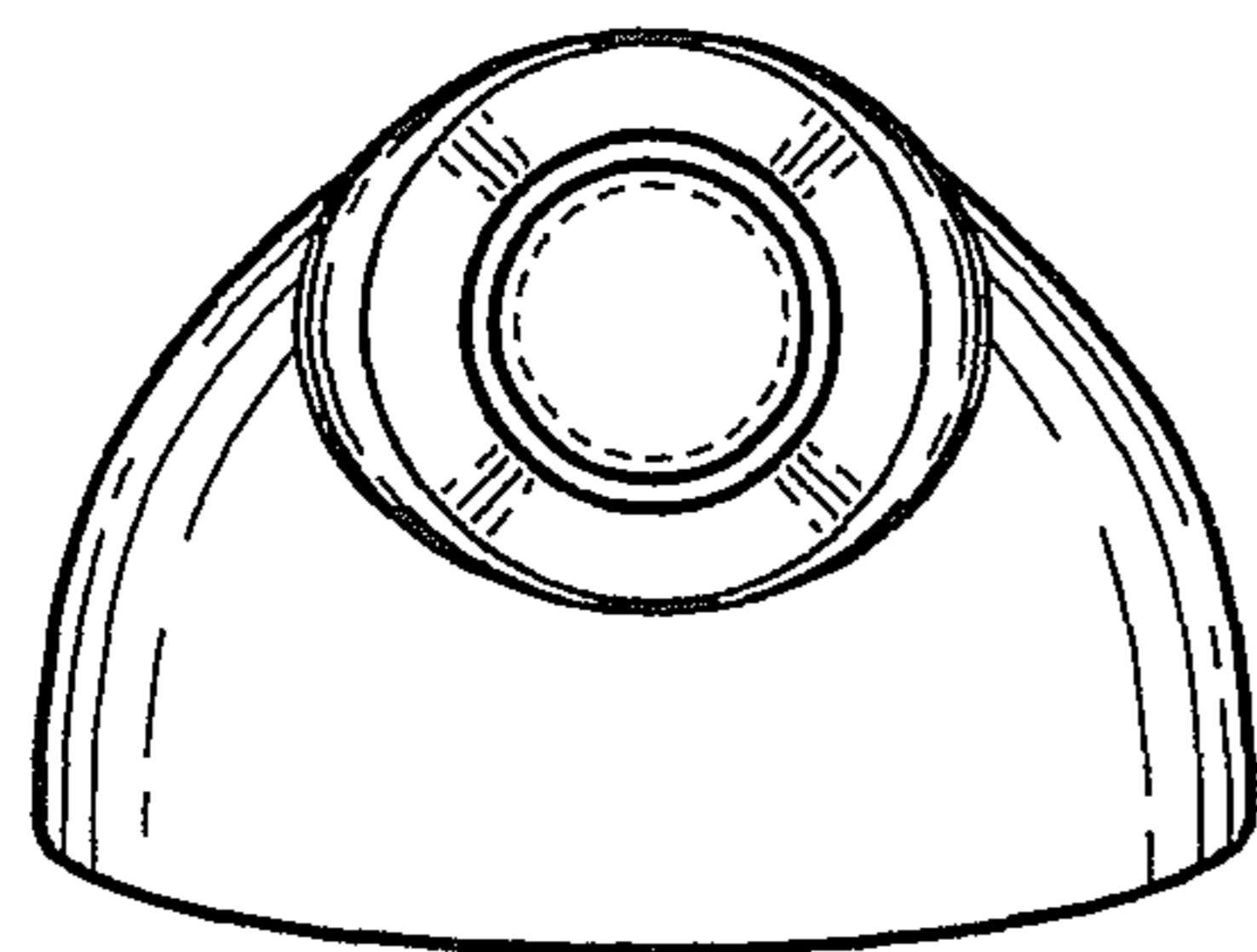
*FIG. 3*



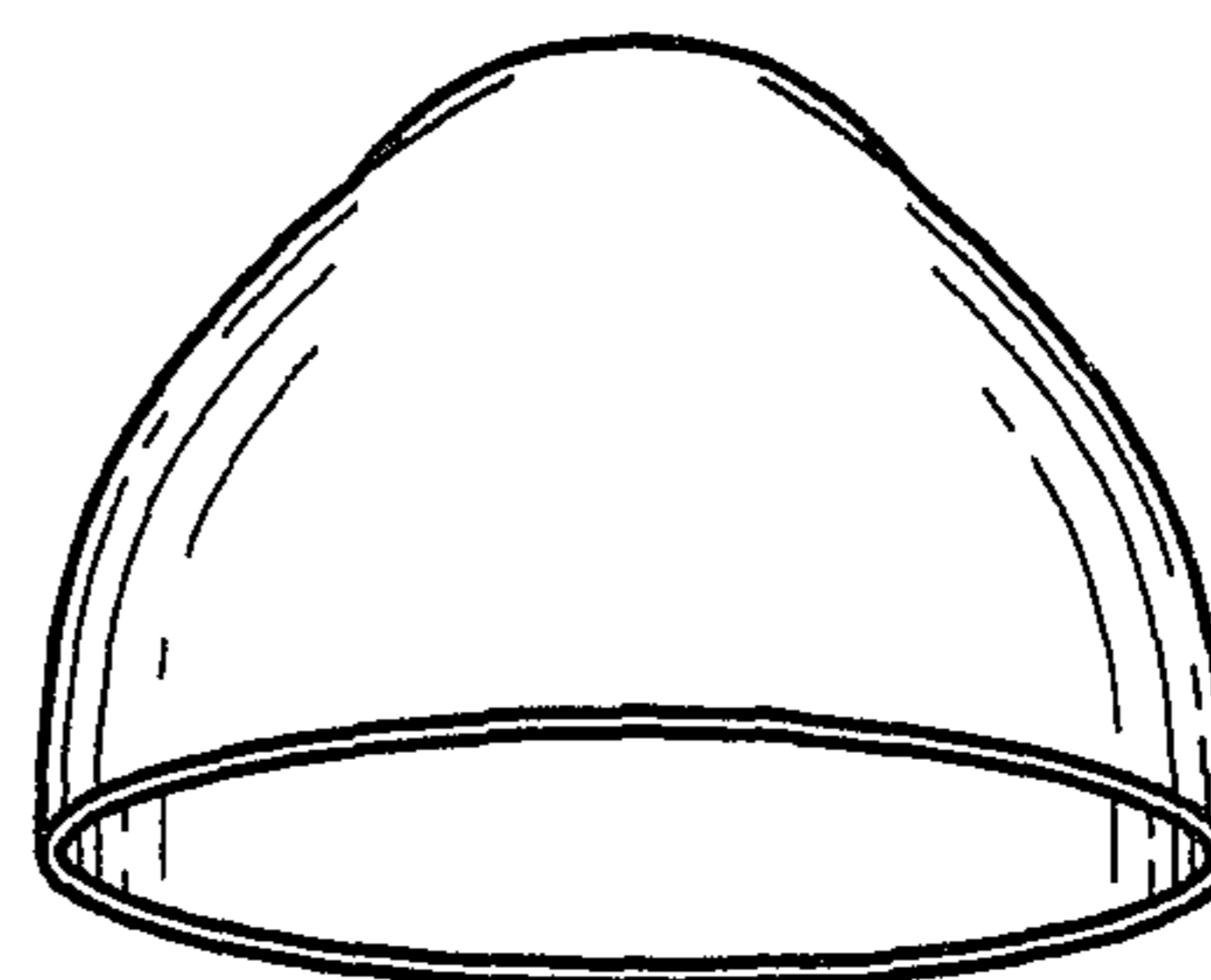
**FIG. 4**



**FIG. 5**



**FIG. 6**



**FIG. 7**