



US00D735933S

(12) **United States Design Patent**  
**Campagna**

(10) **Patent No.:** **US D735,933 S**

(45) **Date of Patent:** **\*\* Aug. 4, 2015**

(54) **LIGHT FIXTURE BASE**

(71) Applicant: **Cary J. Campagna**, Portage, MI (US)

(72) Inventor: **Cary J. Campagna**, Portage, MI (US)

(73) Assignee: **COMMAND ELECTRONICS, INC.**,  
Schoolcraft, MI (US)

(\*\*) Term: **14 Years**

(21) Appl. No.: **29/480,463**

(22) Filed: **Jan. 27, 2014**

**Related U.S. Application Data**

(62) Division of application No. 29/434,042, filed on Oct. 9, 2012, now Pat. No. Des. 700,737.

(51) **LOC (10) Cl.** ..... **26-99**

(52) **U.S. Cl.**  
USPC ..... **D26/142**

(58) **Field of Classification Search**  
USPC ..... D26/25, 26, 28, 31, 35, 36, 37, 41, 42,  
D26/50, 51, 52, 64, 66, 67, 73, 75, 78, 85,  
D26/88, 89, 90, 103-106, 109, 110, 119,  
D26/123, 125, 129, 131, 135, 136, 138, 140,  
D26/143, 144; D13/179, 180; 362/92, 130,  
362/132, 133, 183, 184, 190, 205, 216,  
362/217.05, 218, 220, 223, 224, 241, 247,  
362/249.03, 249.05-249.1, 249.11, 258,  
362/260, 285, 287, 294.02, 297, 327, 345,  
362/354, 373-379, 410, 418, 419, 510, 516,  
362/558, 561; 248/339, 557, 558; D8/354,  
D8/373, 377, 382; D25/60, 119, 124, 125;  
52/455; 349/59-62, 64-67, 113;  
438/15; 345/102; D12/406; D10/111,  
D10/114.1; D11/121, 125, 144, 145;  
428/11; 257/96, 97, 98, 99  
CPC ..... F21S 8/086; F21S 8/036

See application file for complete search history.

(56) **References Cited**

U.S. PATENT DOCUMENTS

D326,537 S	5/1992	Gattari	
D399,590 S	10/1998	Lecluze	
D548,390 S	8/2007	Lecluze	
7,322,722 B2	1/2008	Hartmann, Jr. et al.	
D595,452 S	6/2009	Khang et al.	
D599,951 S	9/2009	Pickard et al.	
D624,691 S *	9/2010	Zhang et al.	D26/138
D627,507 S	11/2010	Lai et al.	
D645,582 S	9/2011	Kim et al.	
D651,738 S	1/2012	Guercio et al.	
D684,287 S	6/2013	Rashidi	
D700,737 S *	3/2014	Campagna	D26/142
8,894,253 B2 *	11/2014	Rowlette et al.	362/373
D723,153 S *	2/2015	Borkholder	D23/411
D726,949 S *	4/2015	Redfern	D26/74

\* cited by examiner

*Primary Examiner* — Zenia Bennett

(74) *Attorney, Agent, or Firm* — Flynn, Thiel, Boutell & Tanis, P.C.

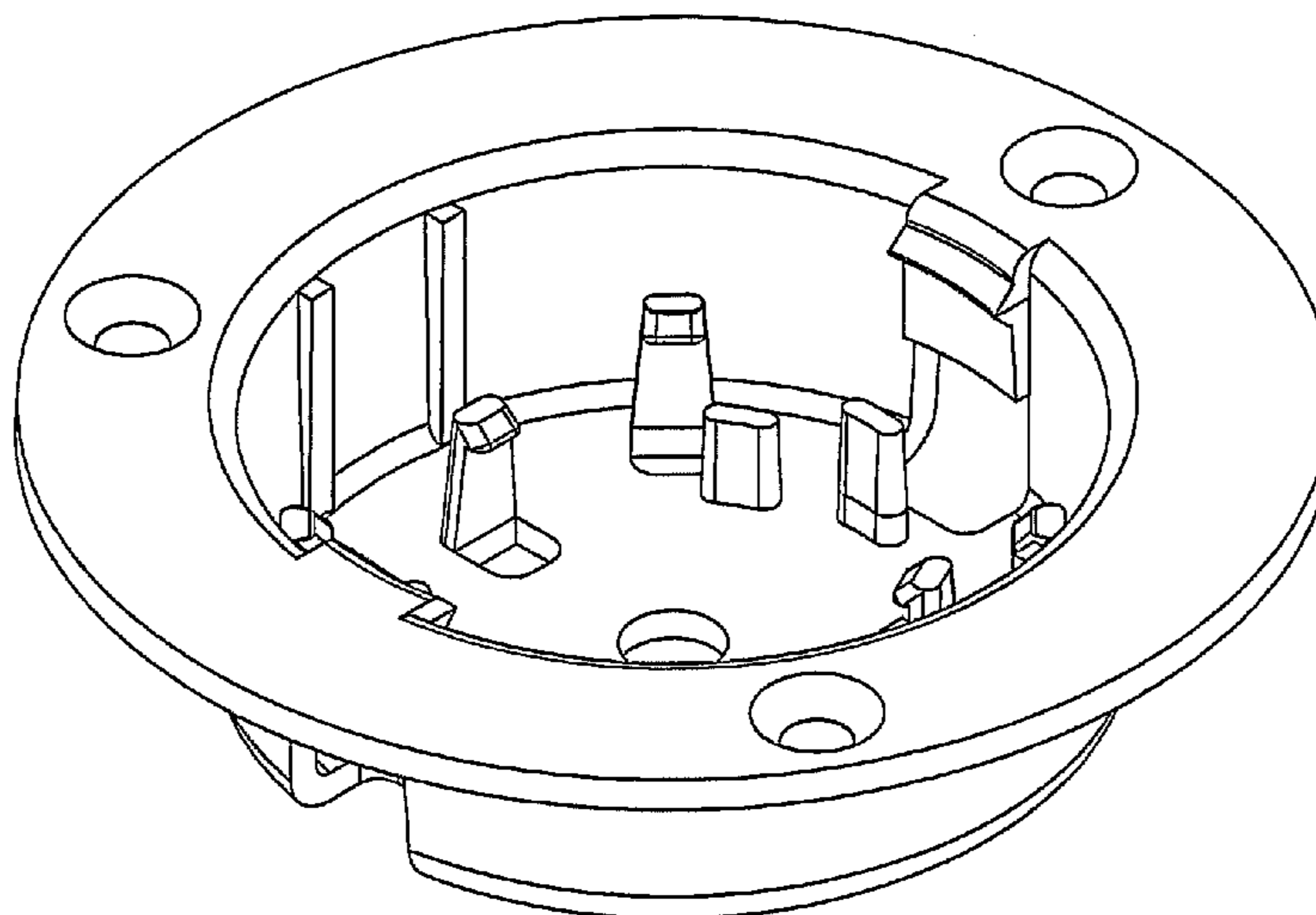
(57) **CLAIM**

The ornamental design for a light fixture base, as shown and described.

**DESCRIPTION**

FIG. 1 is a top and left side isometric view of a light fixture base embodying my new design;  
FIG. 2 is a top view thereof;  
FIG. 3 is a cross sectional view taken along the line 3-3 of FIG. 2;  
FIG. 4 is a cross sectional view taken along the line 4-4 of FIG. 2;  
FIG. 5 is a left side view, the right side view being identical thereto;  
FIG. 6 is a front side view thereof, the rear side view being identical thereto; and,  
FIG. 7 is a bottom view thereof.

**1 Claim, 4 Drawing Sheets**



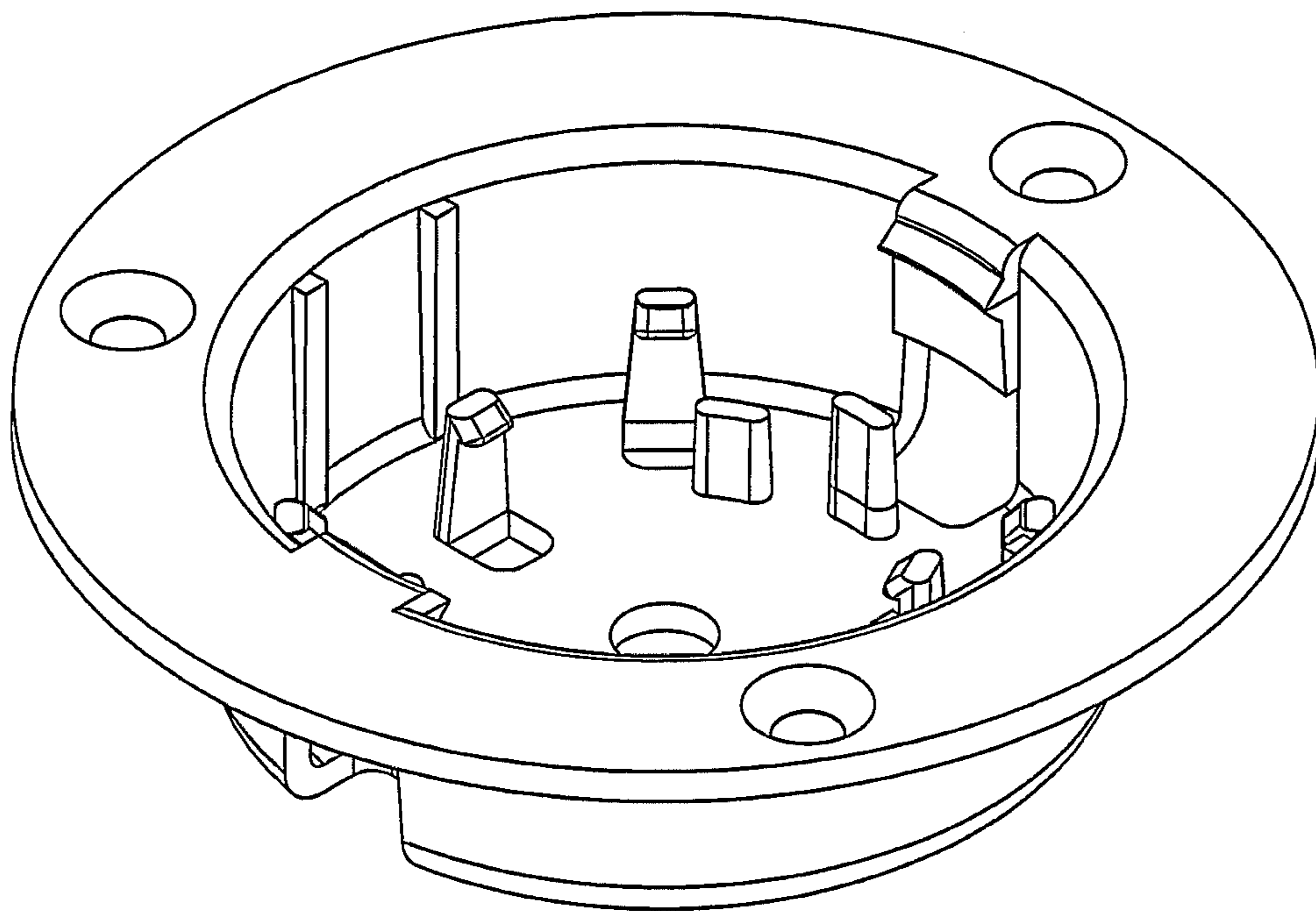


FIG. 1

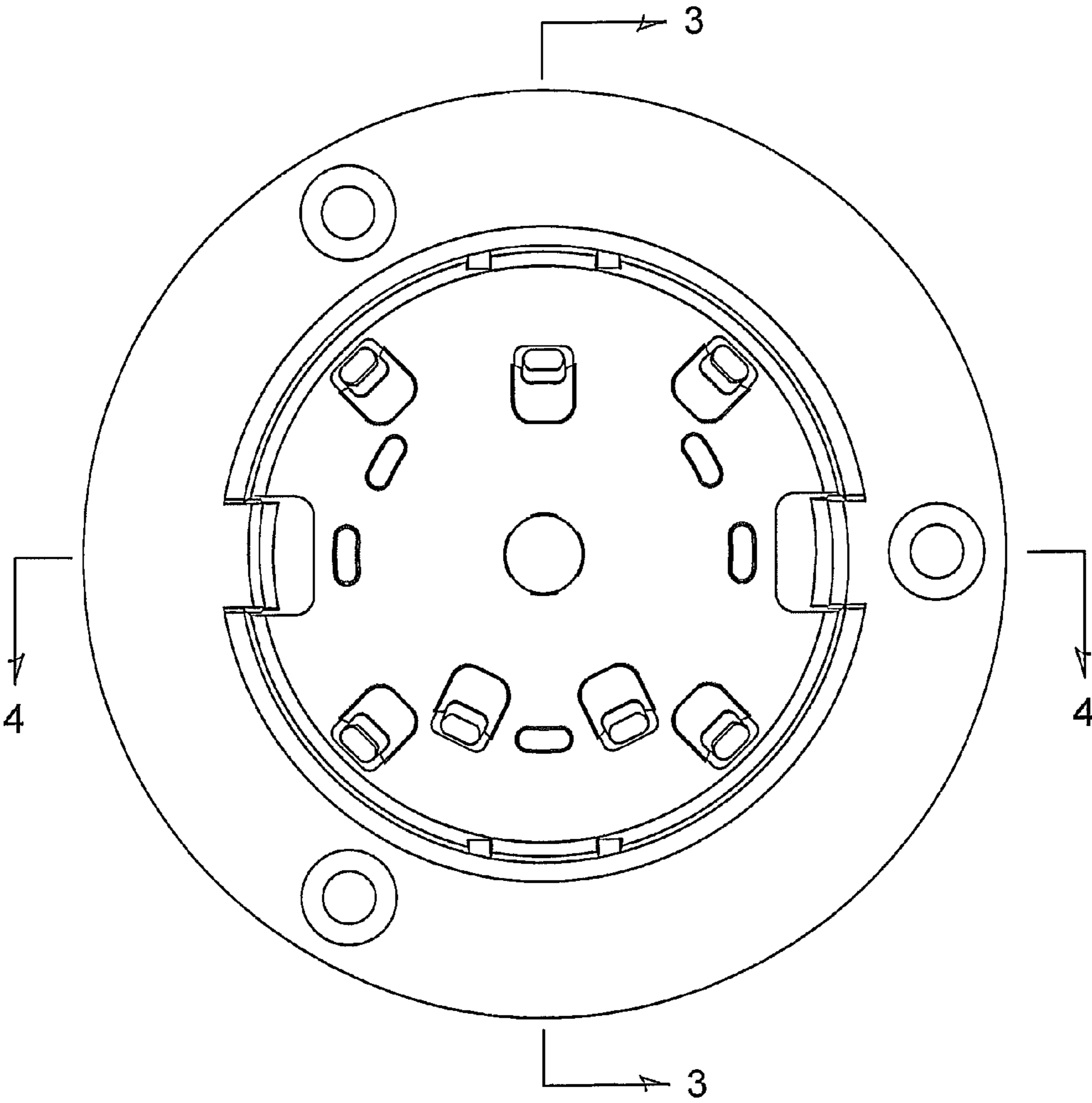


FIG. 2

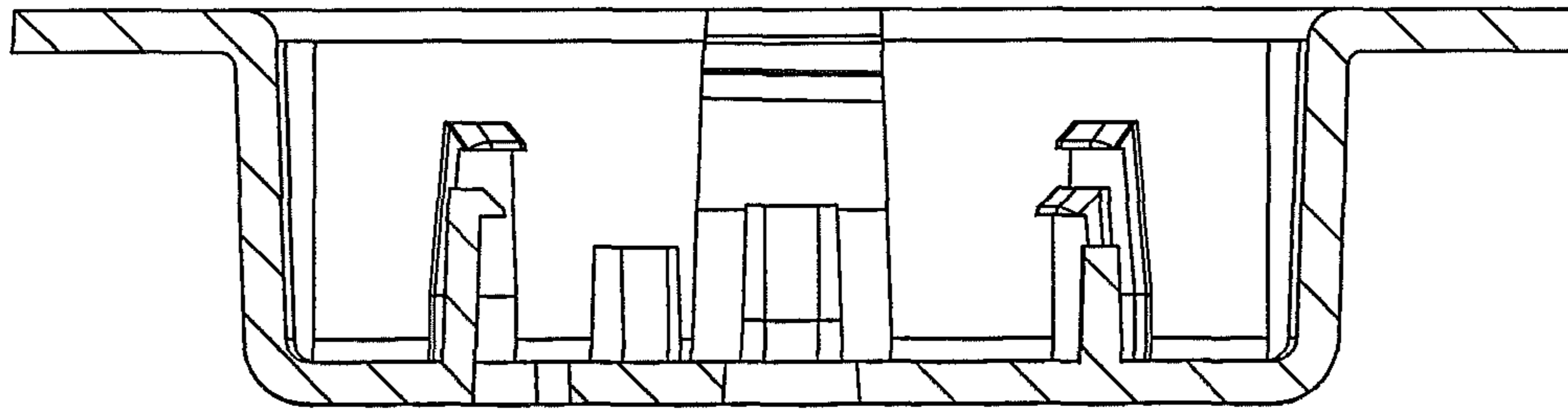


FIG. 3

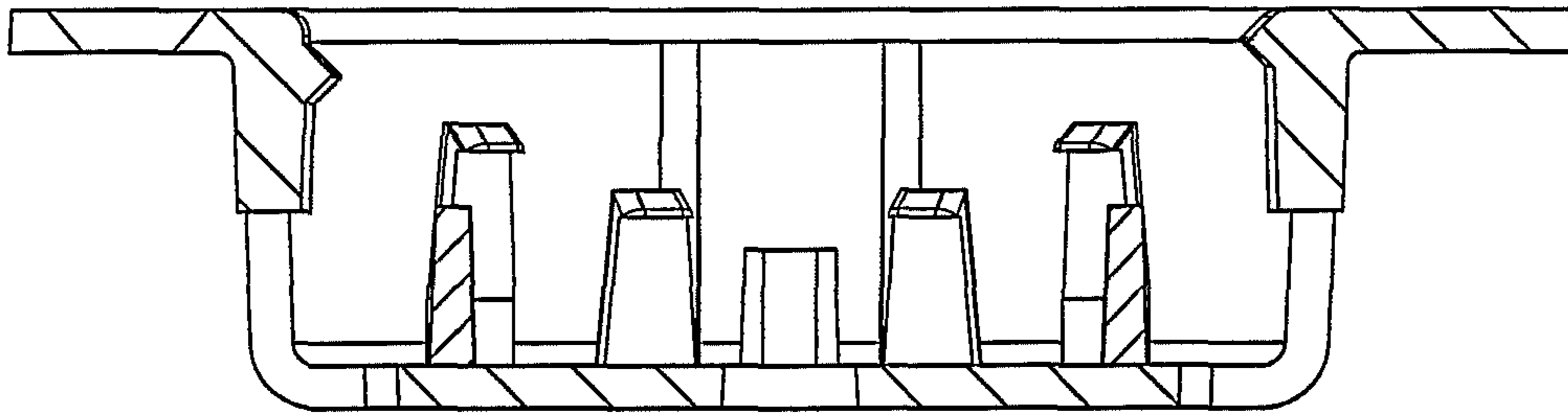


FIG. 4

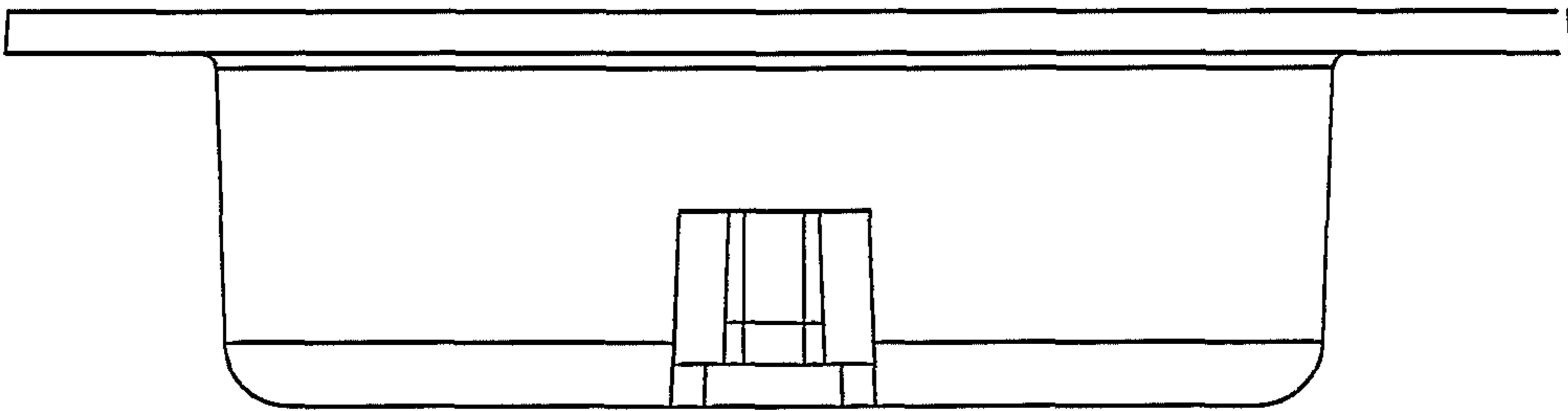


FIG. 5

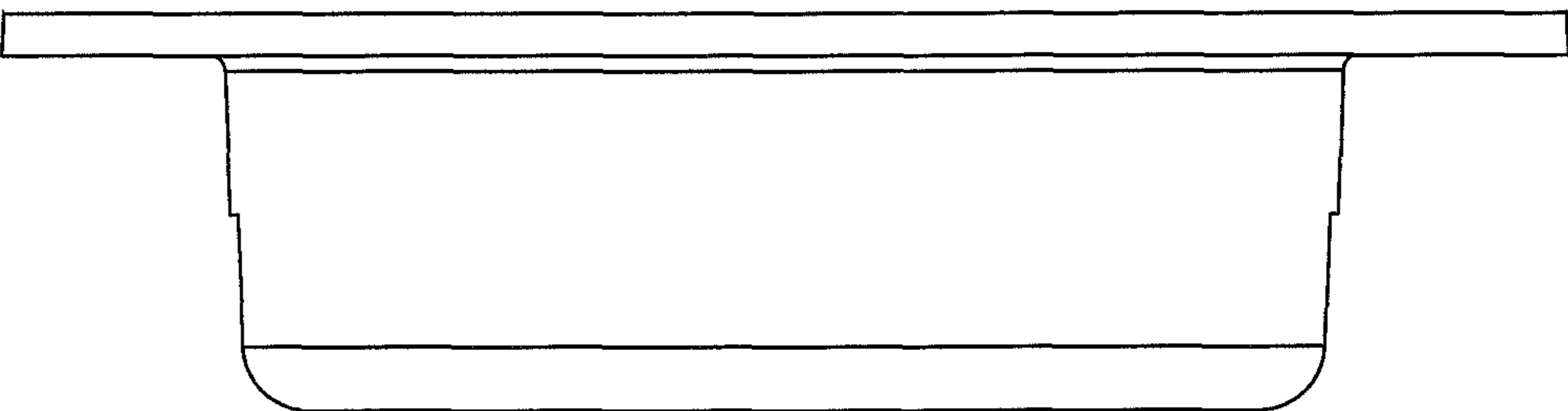


FIG. 6

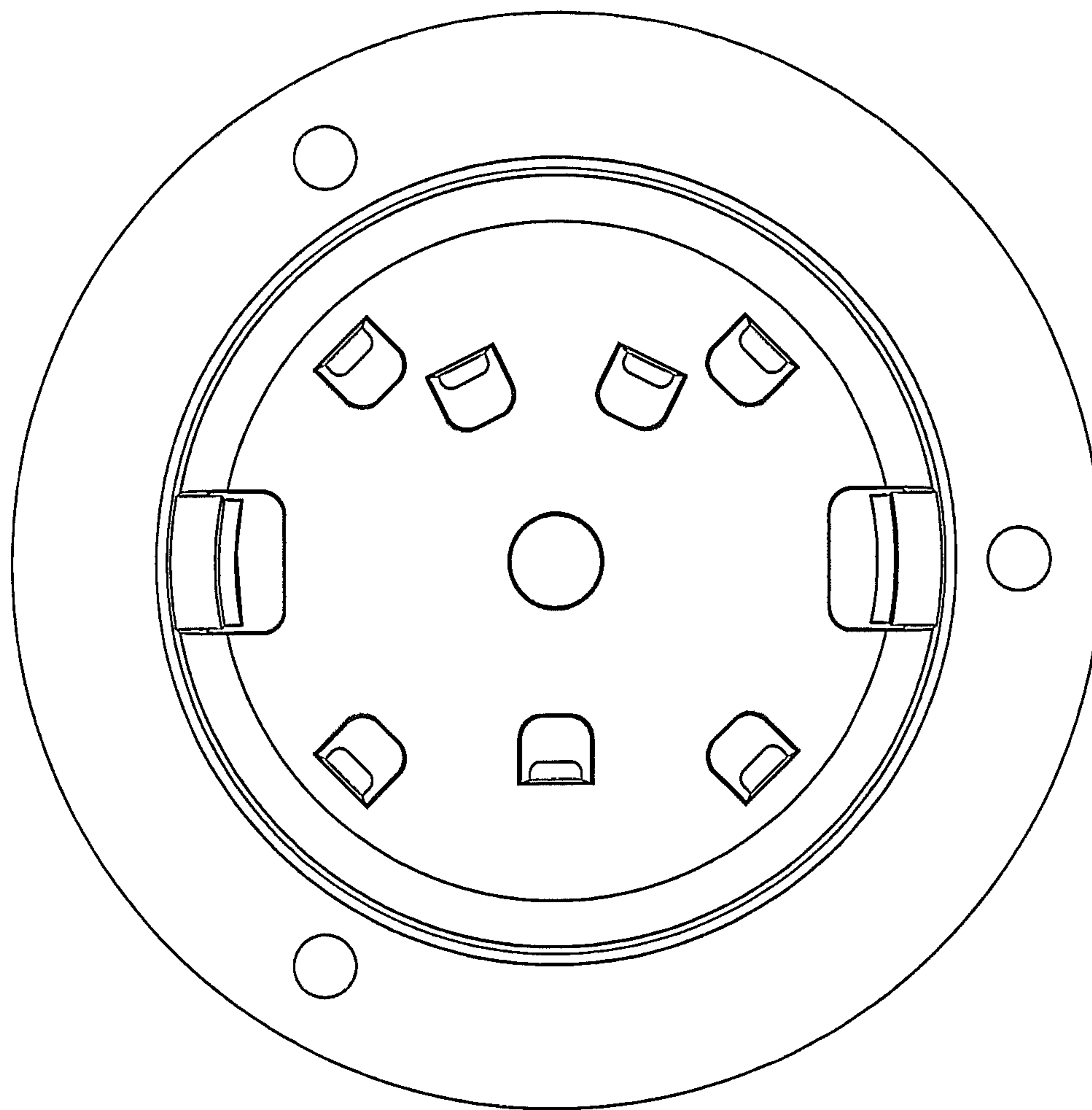


FIG. 7