



US00D735932S

(12) **United States Design Patent**  
**Schanz et al.**

(10) **Patent No.:** **US D735,932 S**

(45) **Date of Patent:** **\*\* Aug. 4, 2015**

(54) **PART OF MOTORCYCLE HEADLAMP**

(56) **References Cited**

(71) Applicant: **Touratech AG**, Niedereschach (DE)

U.S. PATENT DOCUMENTS

(72) Inventors: **Jochen Schanz**, Niedereschach (DE);  
**Herbert Schwarz**, Niedereschach (DE)

2,584,181	A	*	2/1952	Bauman	.....	362/355
4,121,278	A	*	10/1978	Doll	.....	362/476
D265,252	S	*	6/1982	McNaughton et al.	.....	D26/139
4,539,627	A	*	9/1985	Ogishima	.....	362/476
D281,359	S	*	11/1985	Ofield	.....	D26/139
D282,687	S	*	2/1986	McMahon	.....	D26/139
D287,886	S	*	1/1987	McMahon	.....	D26/28
D288,008	S	*	1/1987	McMahon	.....	D26/139
D355,269	S	*	2/1995	Matthies	.....	D26/28
D461,273	S	*	8/2002	Ojstrsek et al.	.....	D26/139
D507,838	S	*	7/2005	Wernimont	.....	D26/31
D571,500	S	*	6/2008	Lin	.....	D26/139
D653,389	S	*	1/2012	Xu et al.	.....	D26/139

(73) Assignee: **TOURATECH AG**, Niedereschach (DE)

(\*\*) Term: **14 Years**

(21) Appl. No.: **29/460,601**

(22) Filed: **Jul. 12, 2013**

\* cited by examiner

(30) **Foreign Application Priority Data**

*Primary Examiner* — Ralf Seifert

Jan. 14, 2013 (EP) ..... 001357305 0001

(74) *Attorney, Agent, or Firm* — Tarolli, Sundheim, Covell & Tummino LLP

(51) **LOC (10) Cl.** ..... **26-99**

(57) **CLAIM**

We claim the ornamental design for a part of motorcycle headlamp, as shown and described.

(52) **U.S. Cl.**

**DESCRIPTION**

USPC ..... **D26/139**

(58) **Field of Classification Search**

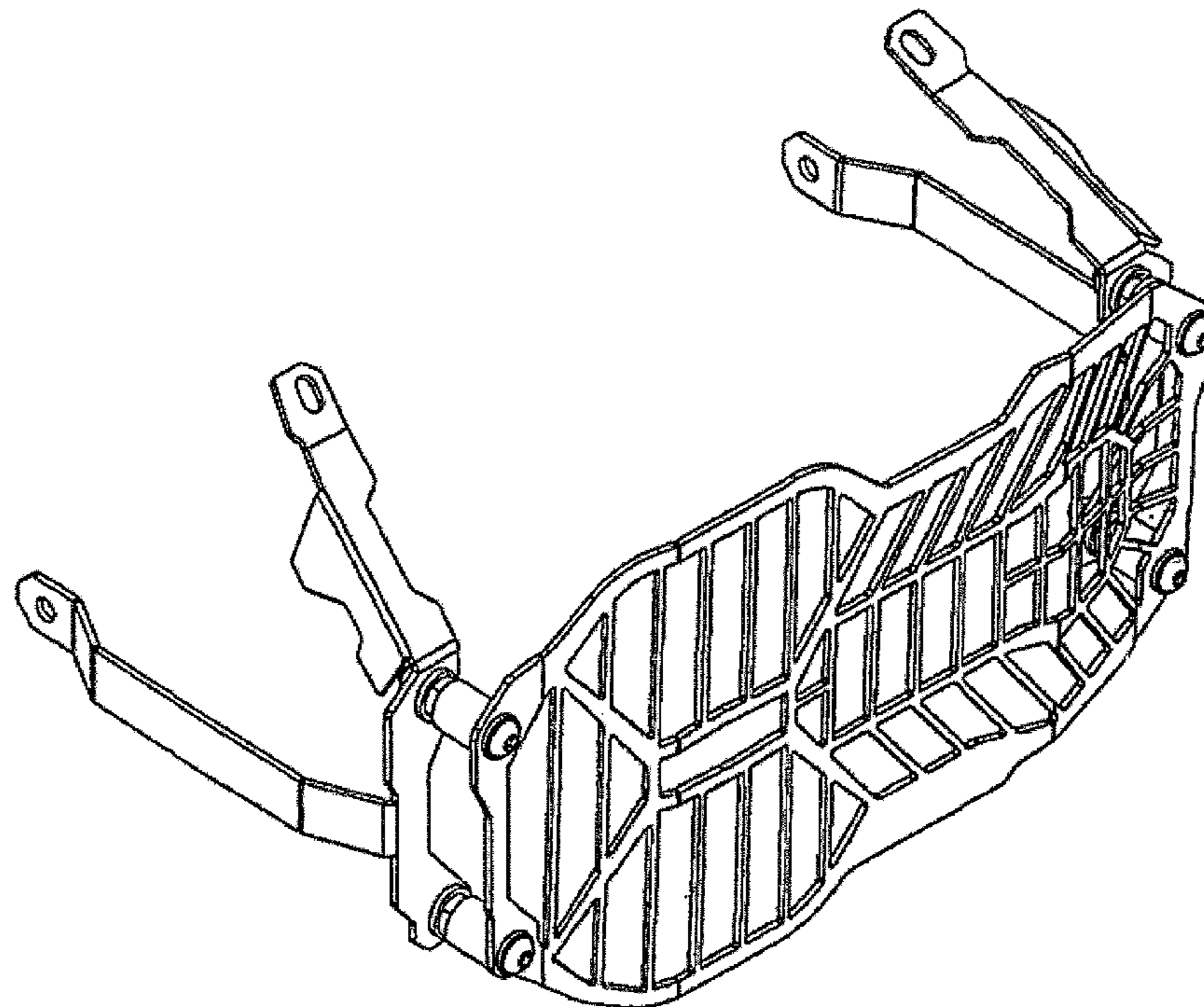
USPC ..... D26/139, 28, 31, 34, 36, 140, 121;  
362/341, 473, 475, 523, 84

FIG. 1 is a front view of the design;  
FIG. 2 is a perspective front view of the design;  
FIG. 3 is a perspective back view of the design;  
FIG. 4 is a side view of the design; and,  
FIG. 5 is a top view of the design.

CPC ..... B62J 6/00; B62J 17/202

See application file for complete search history.

**1 Claim, 5 Drawing Sheets**



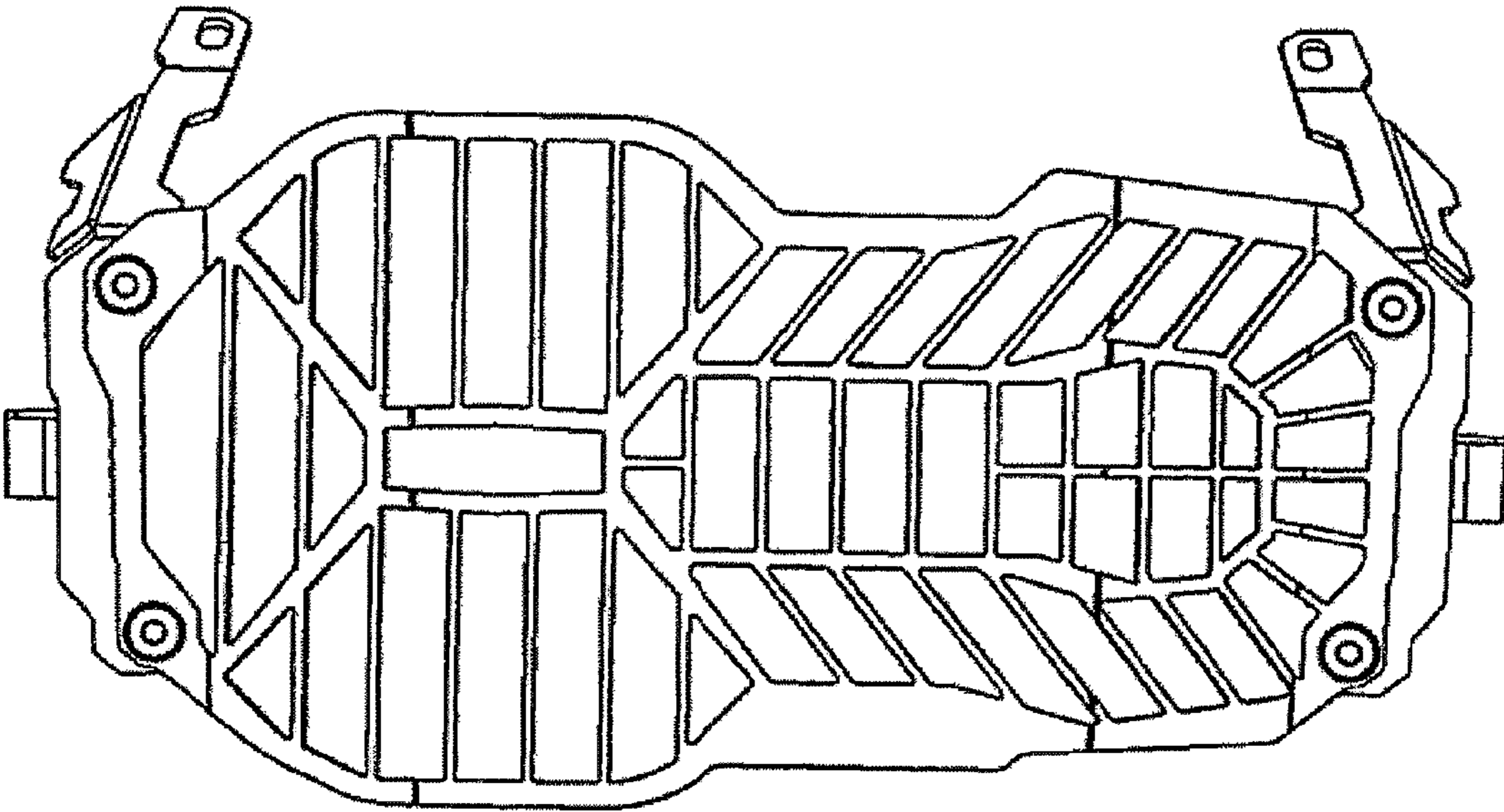


FIG. 1

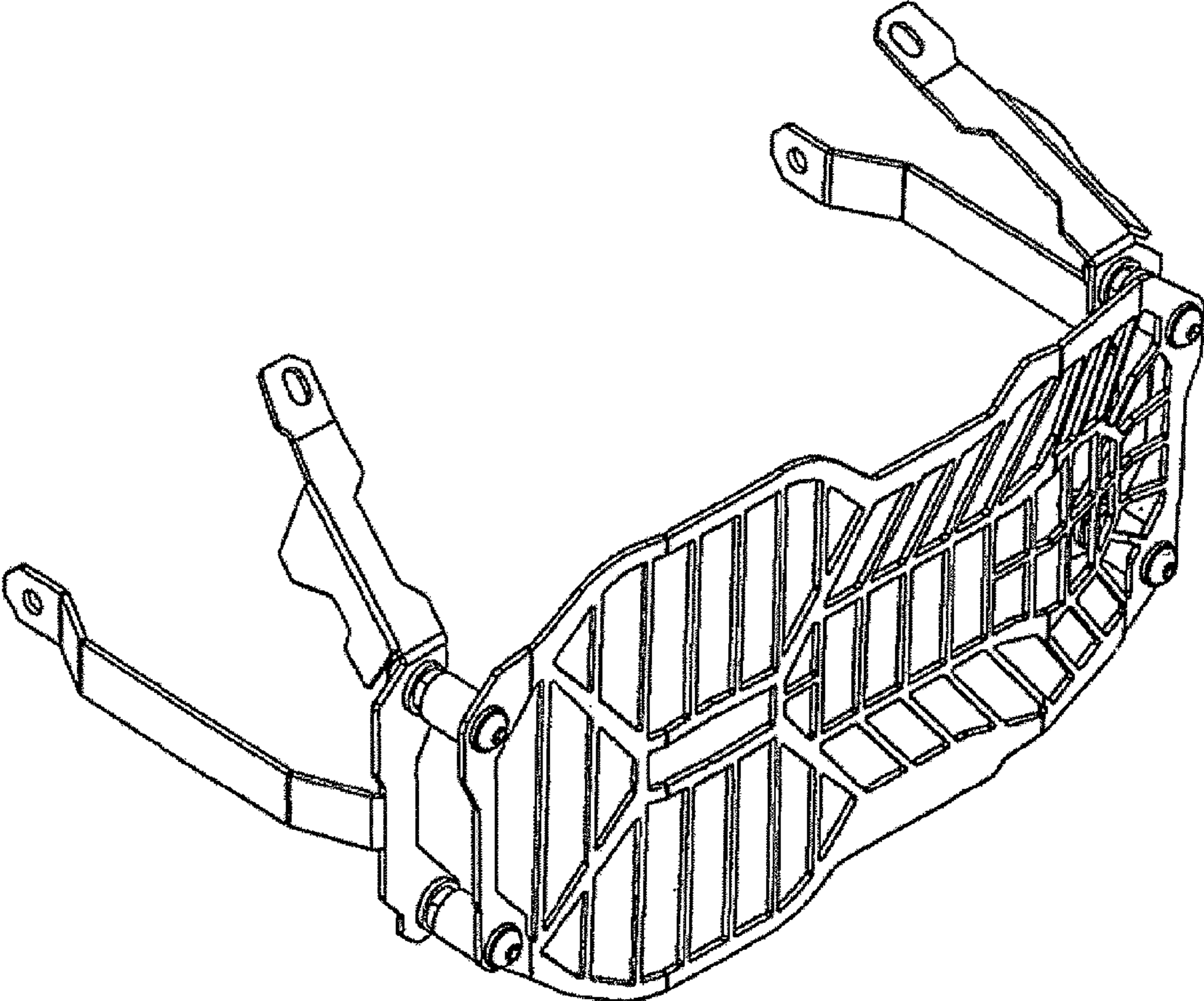


FIG. 2

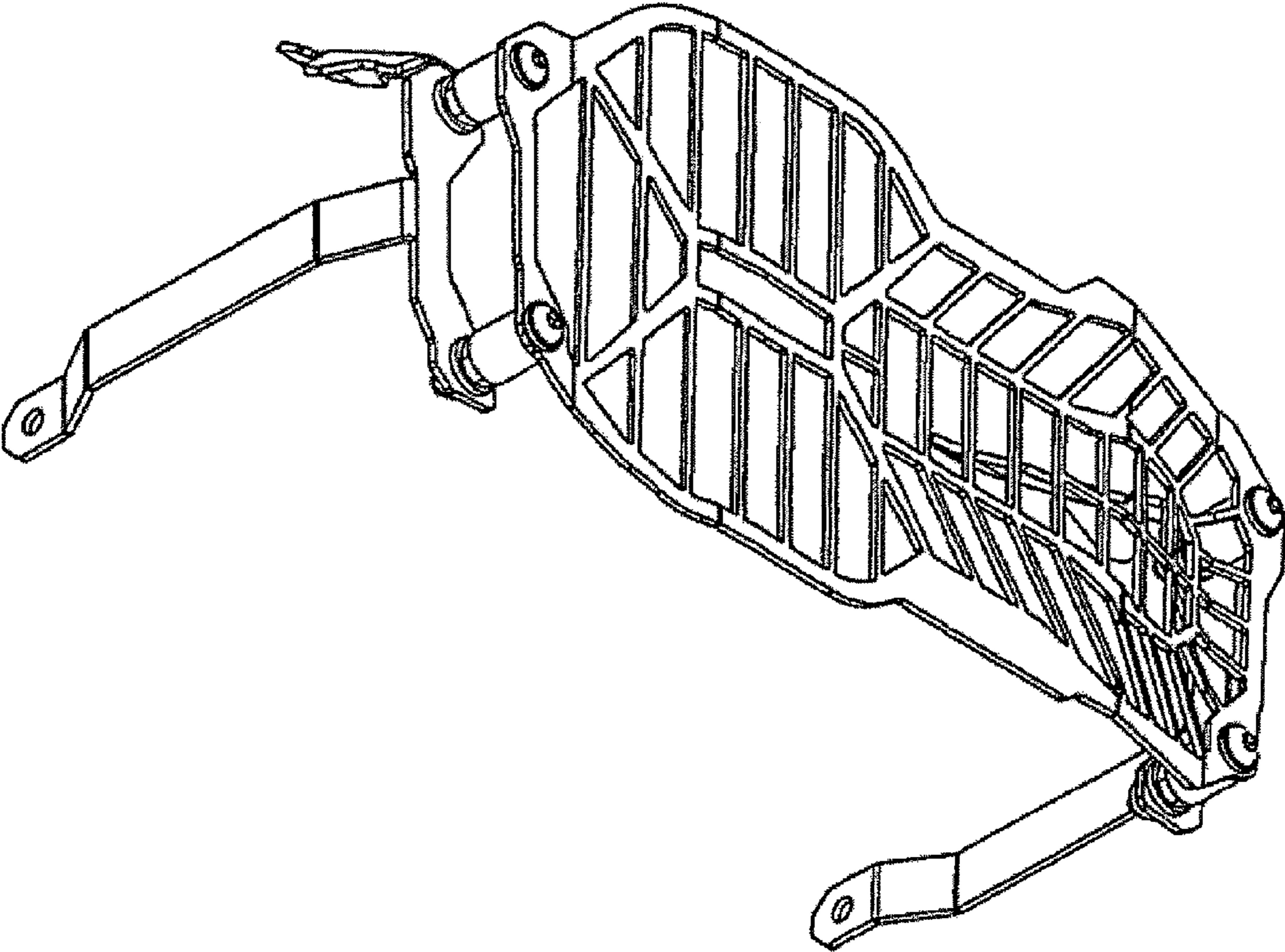


FIG. 3

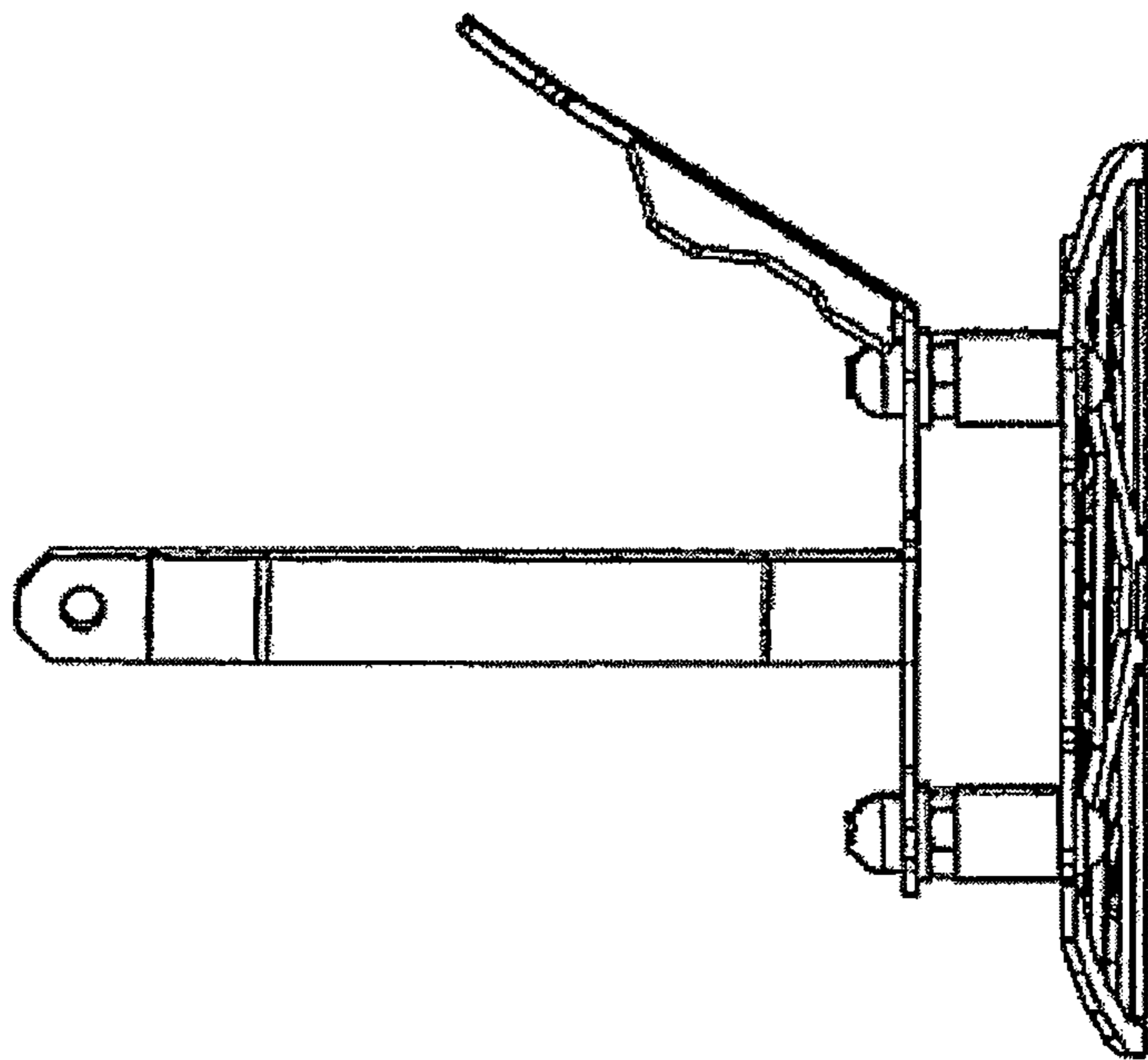


FIG. 4

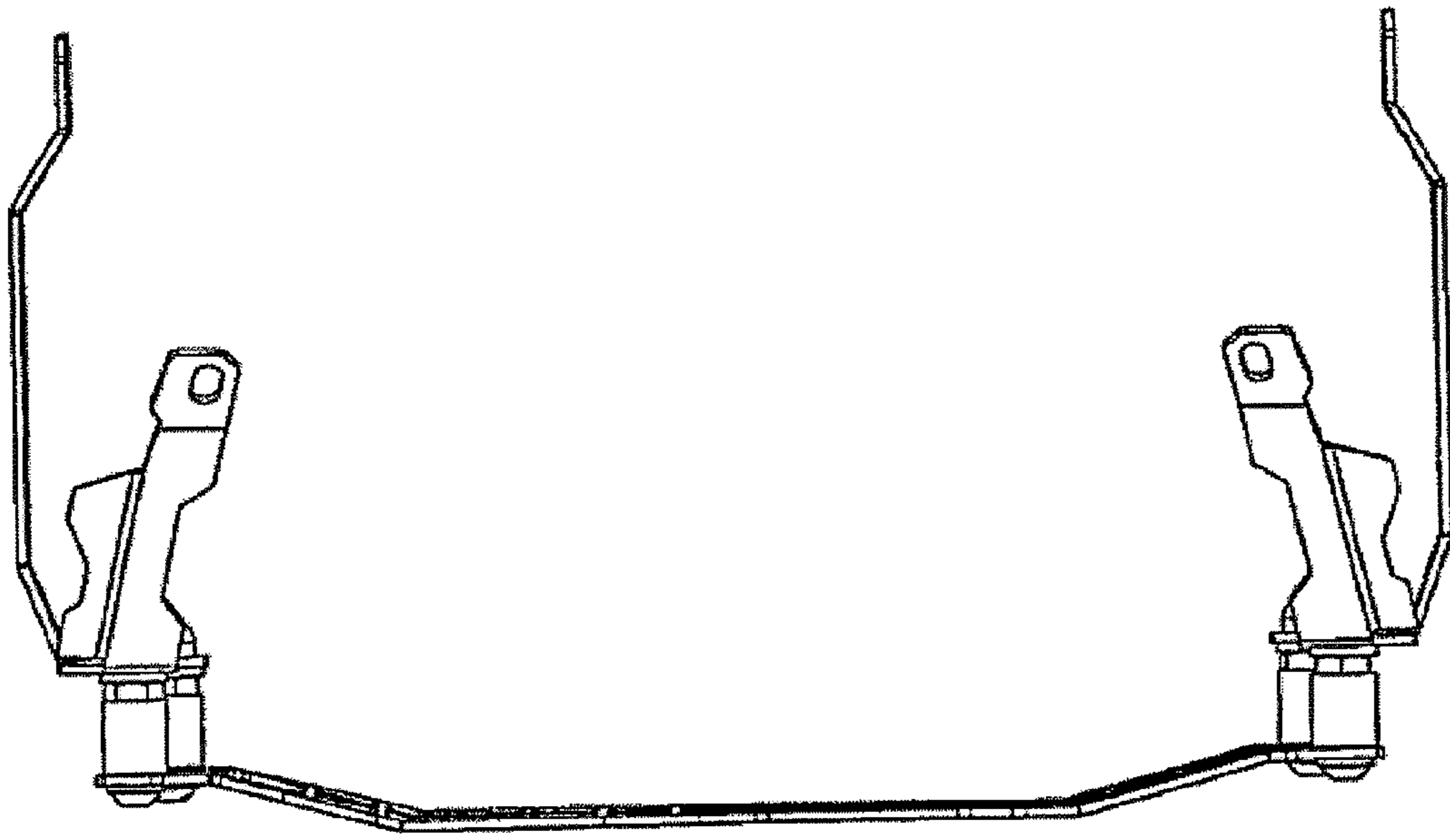


FIG. 5