



US00D735931S

(12) **United States Design Patent**  
**Lehman et al.**

(10) **Patent No.:** **US D735,931 S**  
(45) **Date of Patent:** **\*\* Aug. 4, 2015**

(54) **OPEN FRAME EDGELIT HIGH BAY LUMINIARE**

(71) Applicant: **Cooper Technologies Company,**  
Houston, TX (US)

(72) Inventors: **Gregg Arthur Lehman,** Peachtree City,  
GA (US); **Paul W. Lewis, Jr.,** Grantville,  
GA (US)

(73) Assignee: **Cooper Technologies Company,**  
Houston, TX (US)

(\*\*) Term: **14 Years**

(21) Appl. No.: **29/497,178**

(22) Filed: **Jul. 22, 2014**

**Related U.S. Application Data**

(63) Continuation of application No. 29/452,685, filed on  
Apr. 19, 2013, now Pat. No. Des. 711,037.

(51) **LOC (10) Cl.** ..... **26-99**

(52) **U.S. Cl.**  
USPC ..... **D26/121**

(58) **Field of Classification Search**  
USPC ..... D26/51, 56, 72, 75-78, 80, 92, 118,  
D26/121, 138, 139, 152; 362/98, 147,  
362/217.01, 218, 219, 222, 223, 260, 294,  
362/354, 373

CPC ..... F21S 4/00; F21S 8/00; F21W 2131/3005;  
F21W 2131/304; F21W 2131/308; F21W  
2131/405; F21V 11/02

See application file for complete search history.

(56) **References Cited**

**U.S. PATENT DOCUMENTS**

D120,548 S 5/1940 Guth  
D121,590 S 7/1940 Heath  
D122,887 S 10/1940 Beals

D162,181 S \* 2/1951 Kennedy ..... D23/388  
2,670,429 A \* 2/1954 Tillson ..... 362/354  
2,913,574 A \* 11/1959 Lipscomb ..... 362/342  
D240,853 S 8/1976 Aronson  
D245,534 S \* 8/1977 Segil ..... D26/121  
D245,536 S \* 8/1977 Segil ..... D26/121  
D251,211 S \* 2/1979 Segil ..... D26/138  
D257,894 S 1/1981 DiBernardo  
D306,773 S 3/1990 Roulstone  
5,570,239 A \* 10/1996 Raimondi ..... 359/873  
5,803,589 A 9/1998 Lee  
D463,059 S 9/2002 Verfuert  
D480,172 S \* 9/2003 Herst et al. .... D26/121  
D485,932 S 1/2004 Crane  
7,108,398 B2 \* 9/2006 Holten ..... 362/292  
D532,148 S \* 11/2006 Matsui et al. .... D26/138  
7,207,690 B2 4/2007 Haugaard et al.  
D544,982 S 6/2007 Hargreaves  
D609,386 S 2/2010 Castelli  
7,766,506 B2 \* 8/2010 Keller ..... 362/235  
7,793,447 B2 9/2010 Fang et al.

(Continued)

*Primary Examiner* — Clare E Heflin

(74) *Attorney, Agent, or Firm* — King & Spalding LLP

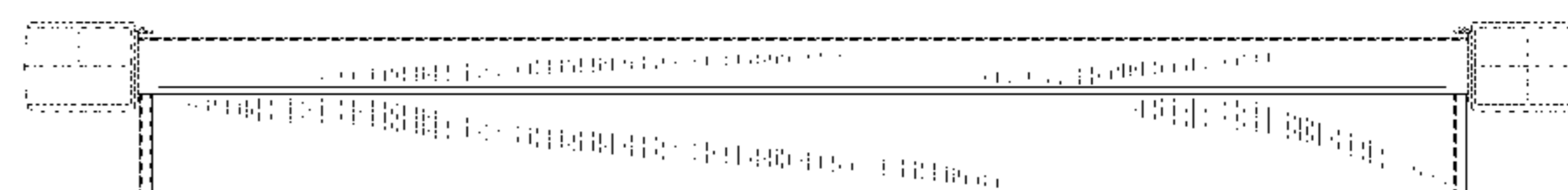
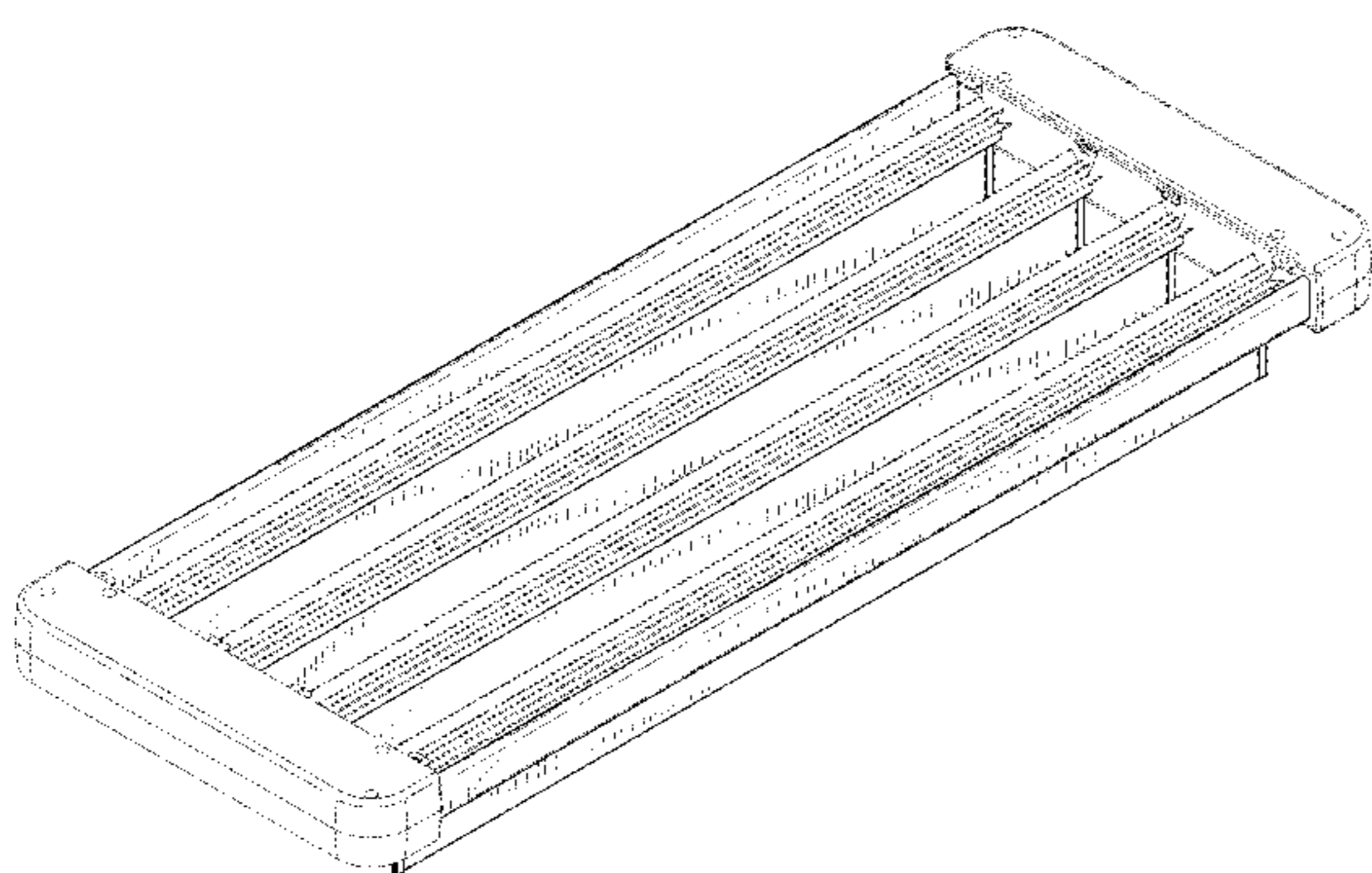
(57) **CLAIM**

The ornamental design for an open frame edgelit high bay luminaire, as shown and described.

**DESCRIPTION**

FIG. 1 is a top perspective view of an open frame edgelit high bay luminaire, showing our new design;  
FIG. 2 is a bottom perspective view thereof;  
FIG. 3 is a top plan view thereof;  
FIG. 4 is a bottom plan view thereof;  
FIG. 5 is a left-side elevation view thereof;  
FIG. 6 is a right-side elevation view thereof;  
FIG. 7 is a front elevation view thereof; and,  
FIG. 8 is a rear elevation view thereof.  
The broken lines shown represent unclaimed subject matter and form no part of the claimed design.

**1 Claim, 6 Drawing Sheets**



(56)

**References Cited**

U.S. PATENT DOCUMENTS

|                 |         |                       |         |
|-----------------|---------|-----------------------|---------|
| D632,418 S      | 2/2011  | Bisberg et al.        |         |
| D640,825 S *    | 6/2011  | Schmidt et al. ....   | D26/121 |
| D645,194 S      | 9/2011  | Budike et al.         |         |
| 8,029,156 B2 *  | 10/2011 | Liou et al. ....      | 362/241 |
| D654,206 S      | 2/2012  | Brothers              |         |
| 8,201,956 B2 *  | 6/2012  | Yeh .....             | 362/19  |
| D670,856 S *    | 11/2012 | Butler et al. ....    | D26/138 |
| D693,960 S      | 11/2013 | Shemitz-Walker et al. |         |
| D708,390 S *    | 7/2014  | Roos et al. ....      | D26/138 |
| 2010/0110679 A1 | 5/2010  | Teng et al.           |         |
| 2010/0128480 A1 | 5/2010  | Watanabe et al.       |         |

\* cited by examiner

FIG. 1

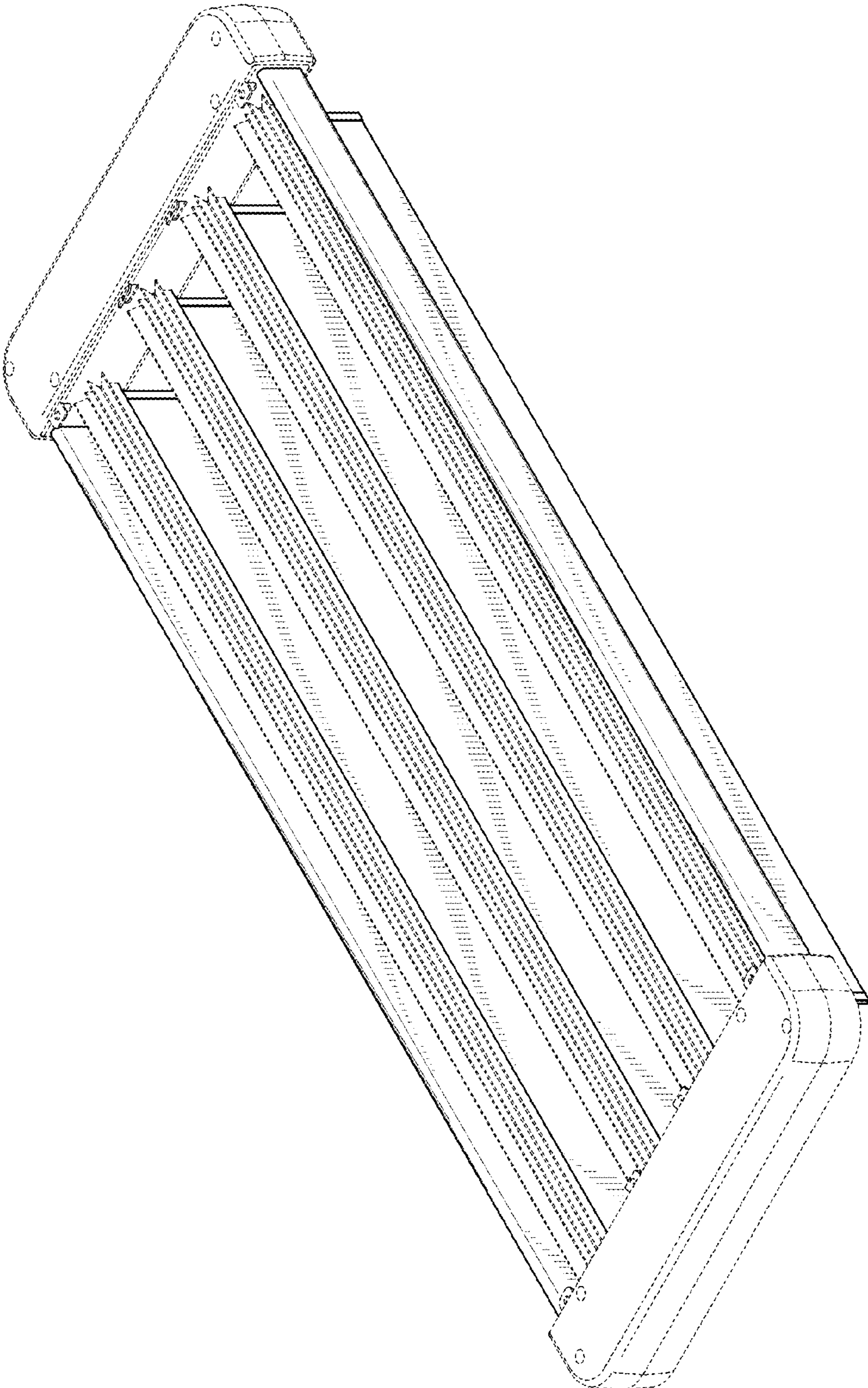


FIG. 2

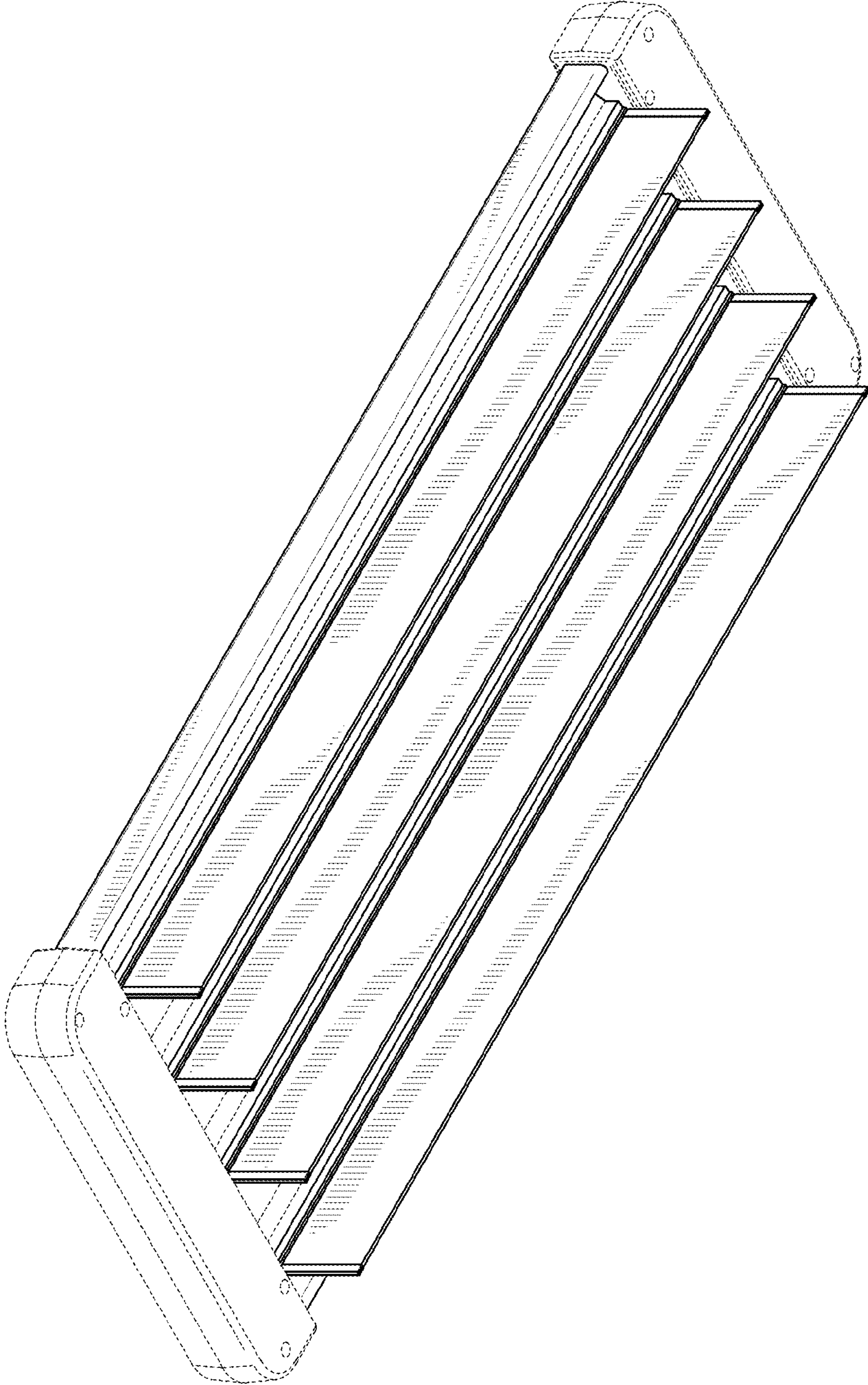


FIG. 3

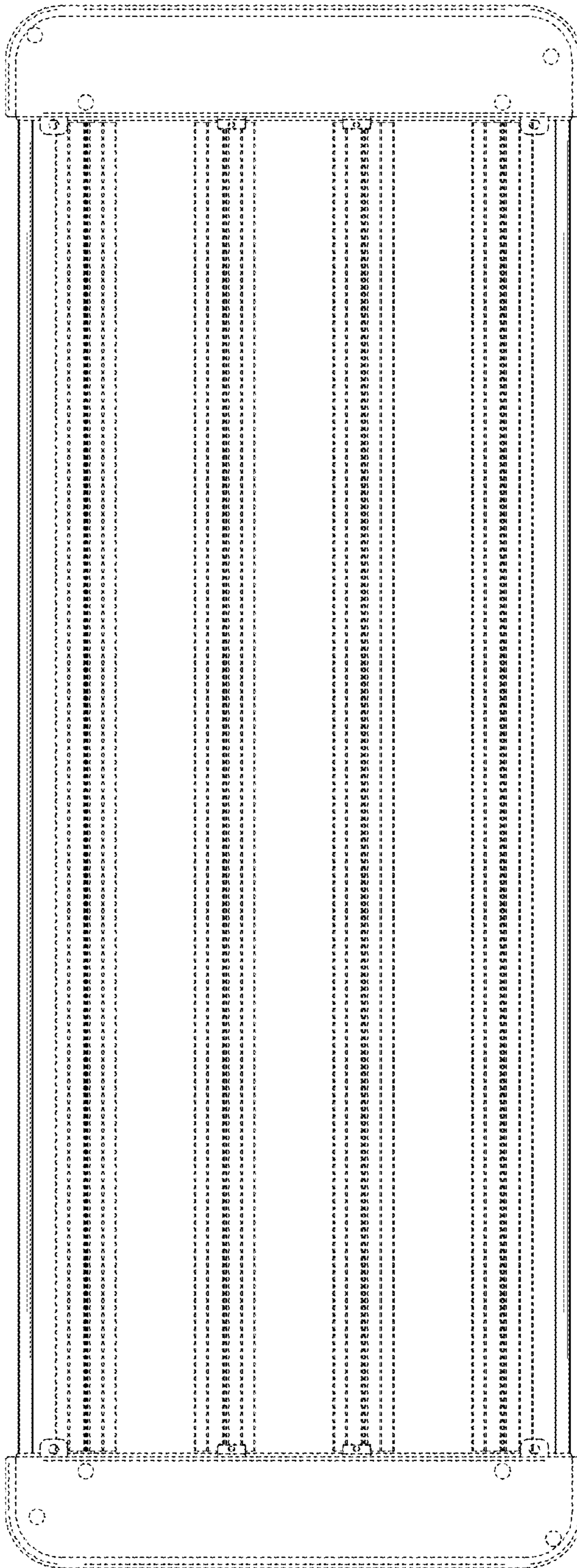


FIG. 4

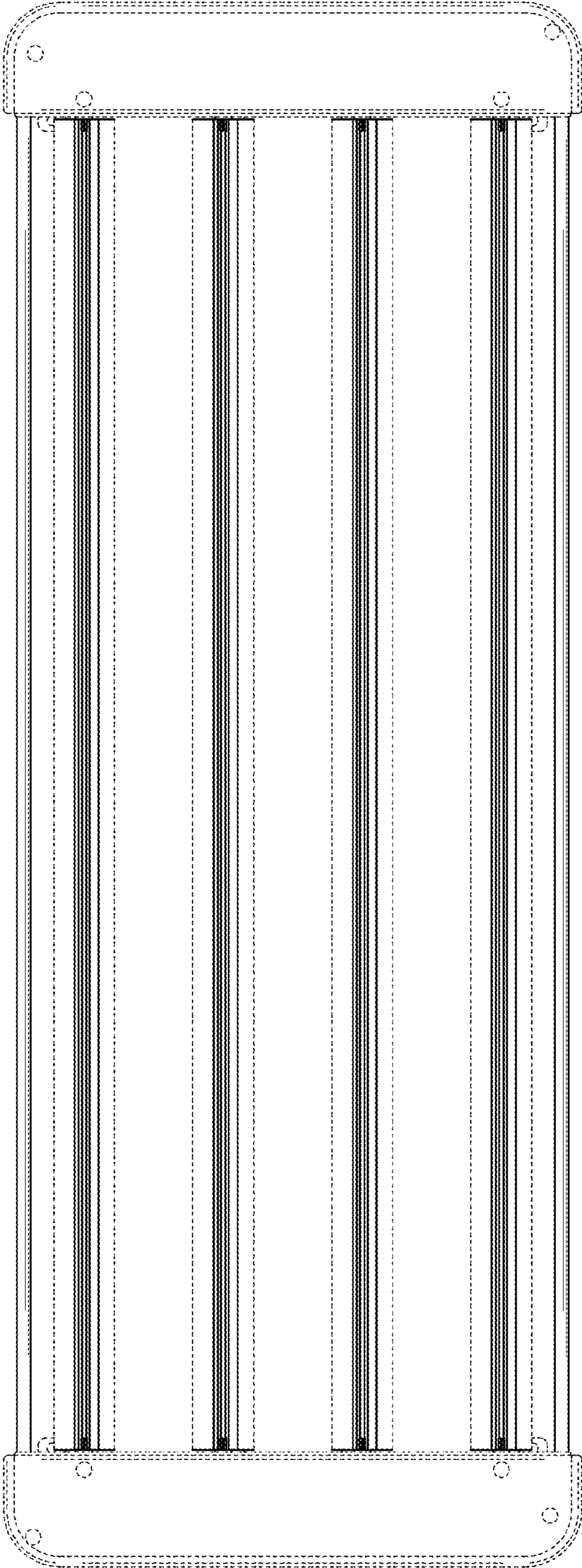


FIG. 5

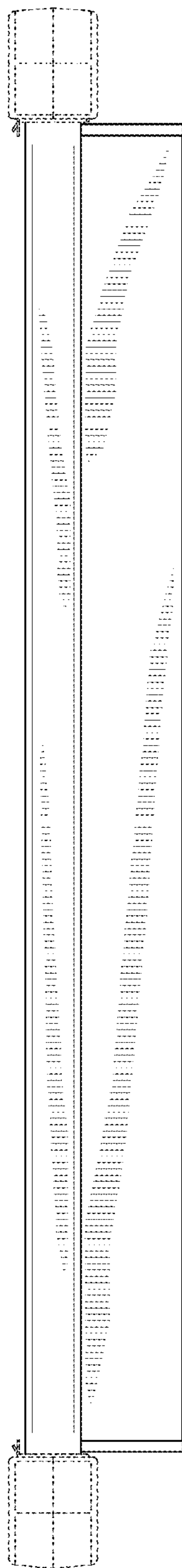


FIG. 6

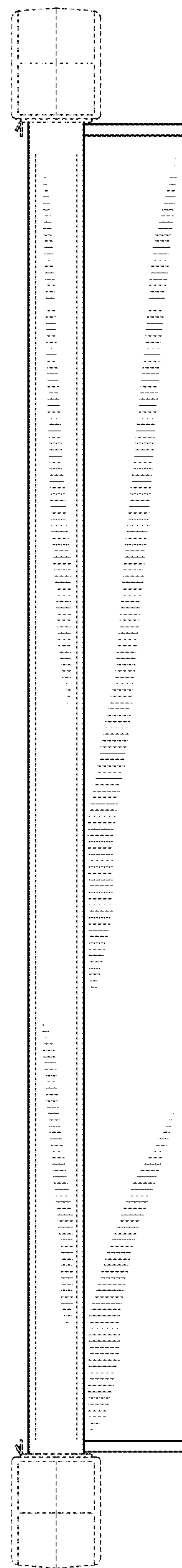


FIG. 8

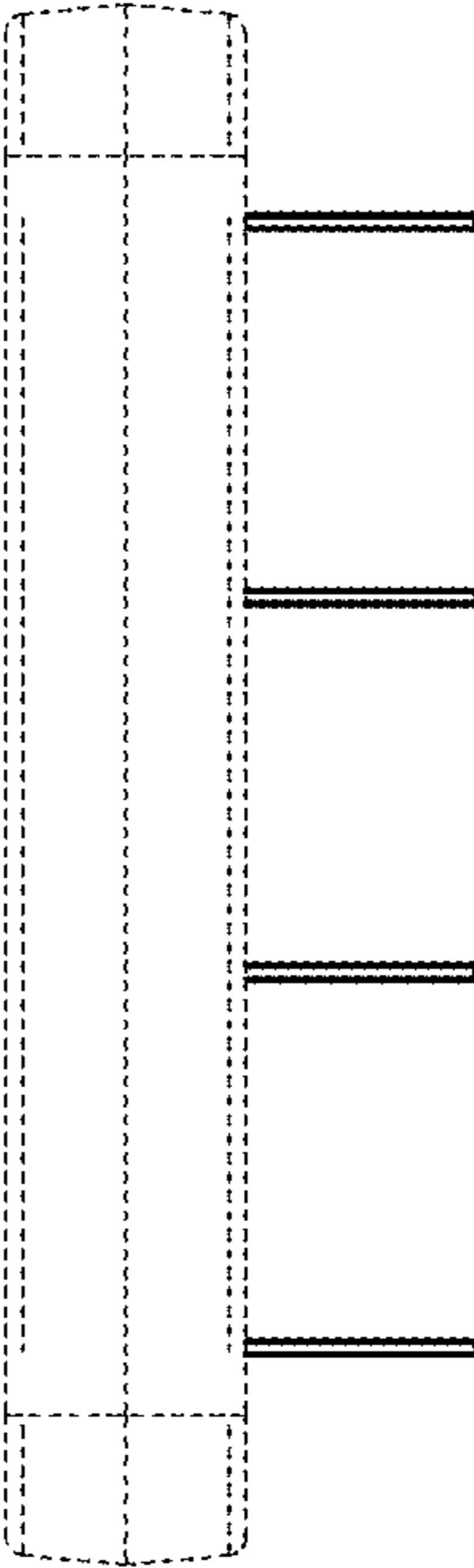


FIG. 7

