



US00D735930S

(12) **United States Design Patent**
Huang et al.

(10) **Patent No.:** **US D735,930 S**
(45) **Date of Patent:** **** Aug. 4, 2015**

(54) **LIGHT GUIDE PLATE**

(71) Applicant: **HON HAI PRECISION INDUSTRY CO., LTD.**, New Taipei (TW)

(72) Inventors: **Gwo-Yan Huang**, New Taipei (TW);
Chien-Liang Chen, New Taipei (TW);
Mi-Chien Chen, New Taipei (TW);
Mu-Chi Hsu, New Taipei (TW)

(73) Assignee: **HON HAI PRECISION INDUSTRY CO., LTD.**, New Taipei (TW)

(**) Term: **14 Years**

(21) Appl. No.: **29/504,761**

(22) Filed: **Oct. 9, 2014**

(30) **Foreign Application Priority Data**

Apr. 10, 2014 (TW) 103302078

(51) **LOC (10) Cl.** **26-99**

(52) **U.S. Cl.**
USPC **D26/120**

(58) **Field of Classification Search**
USPC D26/9, 10, 12, 13, 15, 16, 24, 51, 61,
D26/72, 76, 80, 81, 85, 86, 88, 90, 113, 118,
D26/119, 120, 122, 128, 129, 138, 143,
D26/144; D13/180
CPC F21S 8/026; F21S 8/04; F21V 29/004;
F21V 21/02; F21V 21/04; F21V 29/2212;
F21Y 2101/02

See application file for complete search history.

(56) **References Cited**

U.S. PATENT DOCUMENTS

D32,404 S * 3/1900 Gladney D8/373
4,157,214 A * 6/1979 Hines 353/70
D263,695 S * 4/1982 Reber D12/400
4,969,068 A * 11/1990 Williams 362/99

(Continued)

FOREIGN PATENT DOCUMENTS

DE 102011084814 * 10/2011 F21V 19/00
WO WO 2010110210 A1 * 9/2010 F21S 2/00

OTHER PUBLICATIONS

HSOT Light Guide Panel , image post date 2009, site visited Jan. 10, 2015, (online), <<http://weatherall-uk.com/acrylic/hsotlgp.html>>.*

(Continued)

Primary Examiner — Kevin Rudzinski

Assistant Examiner — Sean D Lough

(74) *Attorney, Agent, or Firm* — Novak Druce Connolly Bove + Quigg LLP

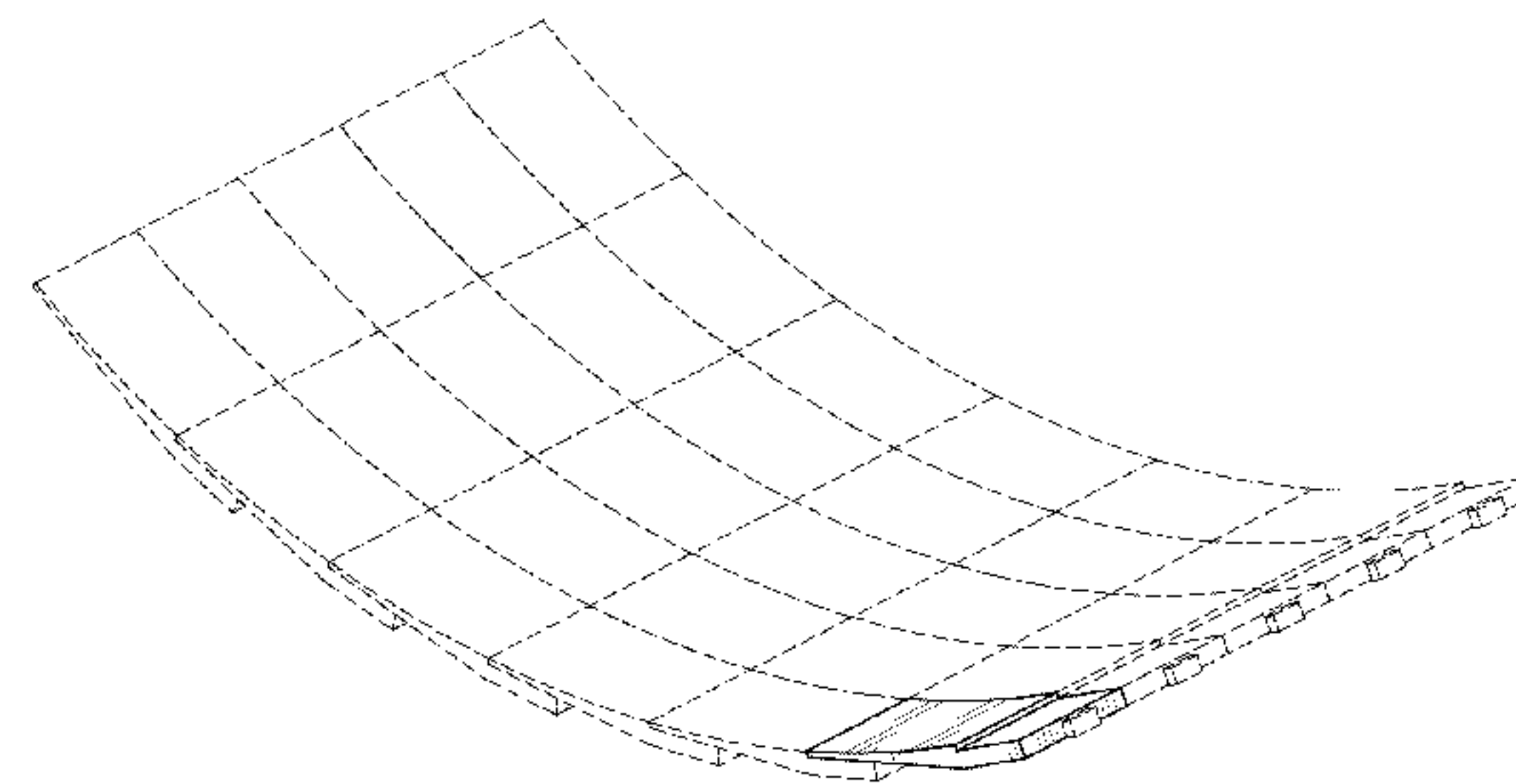
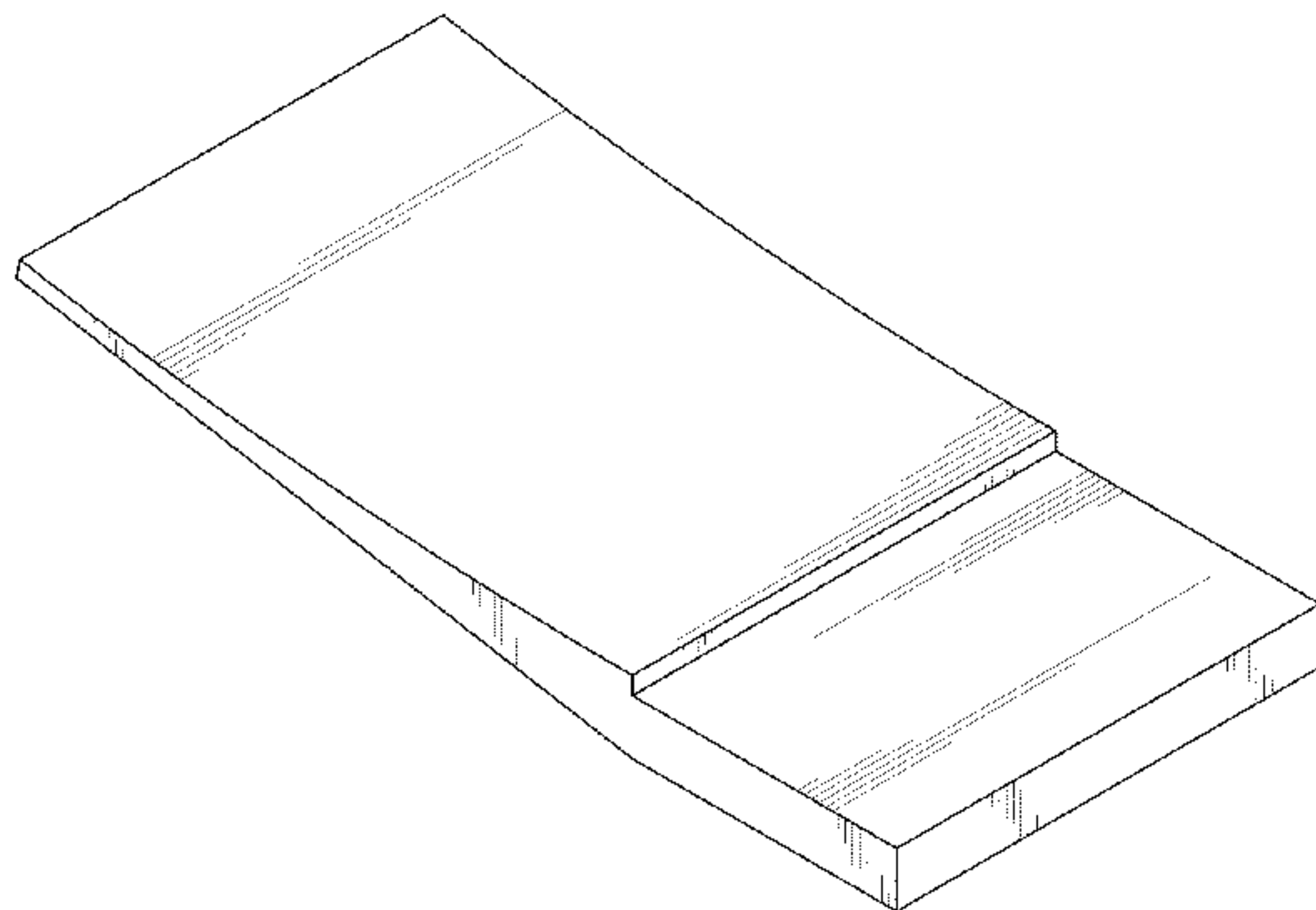
(57) **CLAIM**

The ornamental design for a light guide plate, as shown and described.

DESCRIPTION

FIG. 1 is a perspective view of a light guide plate;
FIG. 2 is a front elevational view of the light guide plate;
FIG. 3 is a rear elevational view thereof;
FIG. 4 is a left side elevational view thereof;
FIG. 5 is a right side elevational view thereof;
FIG. 6 is a top plan view thereof; and
FIG. 7 is a bottom plan view thereof.
FIG. 8 is a perspective view of a light guide plate assembly formed by a plurality of the light guide plates of FIG. 1, shown in a state of use for reference; and,
FIG. 9 is a front elevational view of the light guide plate assembly of FIG. 8.
Broken lines illustrate a possible environment of the light guide plate and form no part of the claimed design.

1 Claim, 9 Drawing Sheets



(56)

References Cited

U.S. PATENT DOCUMENTS

5,065,291 A * 11/1991 Frost et al. 362/183
 D332,318 S * 1/1993 Reding D26/24
 D334,630 S * 4/1993 Paffrath D26/120
 D439,691 S * 3/2001 Huang D26/60
 6,201,586 B1 * 3/2001 Nakayama 349/58
 D454,971 S * 3/2002 Crosby D26/85
 6,522,373 B1 * 2/2003 Hira et al. 362/603
 D581,588 S * 11/2008 Huang D26/142
 D589,196 S * 3/2009 Stone et al. D26/72
 D591,440 S * 4/2009 Maxik et al. D26/72
 D591,449 S * 4/2009 Schuyler D26/154
 D595,447 S * 6/2009 Purcell D26/85
 D608,040 S * 1/2010 Guercio D26/71
 D608,935 S * 1/2010 Pedersen D26/85
 D614,802 S * 4/2010 Hsieh D26/118
 D618,833 S * 6/2010 Wei D26/26
 D621,994 S * 8/2010 Espiau et al. D26/128
 D626,281 S * 10/2010 Mark D26/113
 D635,709 S * 4/2011 Federico et al. D26/84
 D636,927 S * 4/2011 Lin D26/138
 D638,982 S * 5/2011 Friedman D26/118
 D639,479 S * 6/2011 Cortes et al. D26/67
 D641,100 S * 7/2011 Li D26/118
 D642,319 S * 7/2011 Sprengers D26/85
 D644,785 S * 9/2011 McDowell D26/154
 D646,014 S * 9/2011 Hsieh D26/118
 D646,825 S * 10/2011 Tolbert et al. D26/70
 D667,163 S * 9/2012 Blum et al. D26/118
 D673,719 S * 1/2013 Yeh D26/118
 D674,128 S * 1/2013 McCoy et al. D26/93
 D700,736 S * 3/2014 Schuyler D26/113
 D703,361 S * 4/2014 Kondou et al. D26/85
 D711,584 S * 8/2014 Parker et al. D26/120

D713,088 S * 9/2014 Kitts D26/85
 D713,591 S * 9/2014 Blum et al. D26/85
 D713,762 S * 9/2014 Handy D12/6
 8,911,102 B2 * 12/2014 Holman et al. 362/147
 2003/0063456 A1 * 4/2003 Katahira 362/27
 2003/0118294 A1 * 6/2003 Korenaga et al. 385/92
 2005/0030444 A1 * 2/2005 Fujiwara et al. 349/64
 2005/0066727 A1 * 3/2005 Fujimoto et al. 73/504.16
 2006/0067071 A1 * 3/2006 Quittner 362/201
 2006/0262566 A1 * 11/2006 Yao 362/616
 2010/0172128 A1 * 7/2010 Gustaveson 362/183
 2010/0180481 A1 * 7/2010 Parizek et al. 40/610
 2011/0007500 A1 * 1/2011 Gustaveson 362/183
 2011/0172875 A1 * 7/2011 Gibbs 701/33
 2011/0235347 A1 * 9/2011 Chou et al. 362/427
 2012/0229422 A1 * 9/2012 Hwang et al. 345/175
 2013/0135874 A1 * 5/2013 Hofmann et al. 362/294
 2013/0148360 A1 * 6/2013 Jeon et al. 362/294
 2014/0001501 A1 * 1/2014 Park et al. 257/91
 2014/0069030 A1 * 3/2014 Boissevain et al. 52/28
 2014/0085927 A1 * 3/2014 Ito et al. 362/609
 2014/0104836 A1 * 4/2014 Kinnune et al. 362/249.02
 2014/0104856 A1 * 4/2014 Lamonato et al. 362/362
 2014/0132889 A1 * 5/2014 Li 349/65
 2014/0306243 A1 * 10/2014 Lin et al. 257/88
 2014/0347882 A1 * 11/2014 Ouderkirk et al. 362/608

OTHER PUBLICATIONS

Newer lamp, image post date 2002, site visited Jan. 14, 2015, (online), <<http://facstaff.gpc.edu/~lstrange/2641lab/manual/tlc.htm>>.*

Picture4, image post date Sep. 23, 2013, site visited Jan. 14, 2015, (online), <<http://www.displaybly.com/led-backlight-news/the-comparison-of-bottom-led-backlight-and-edge-led-backlight/>>.*

* cited by examiner

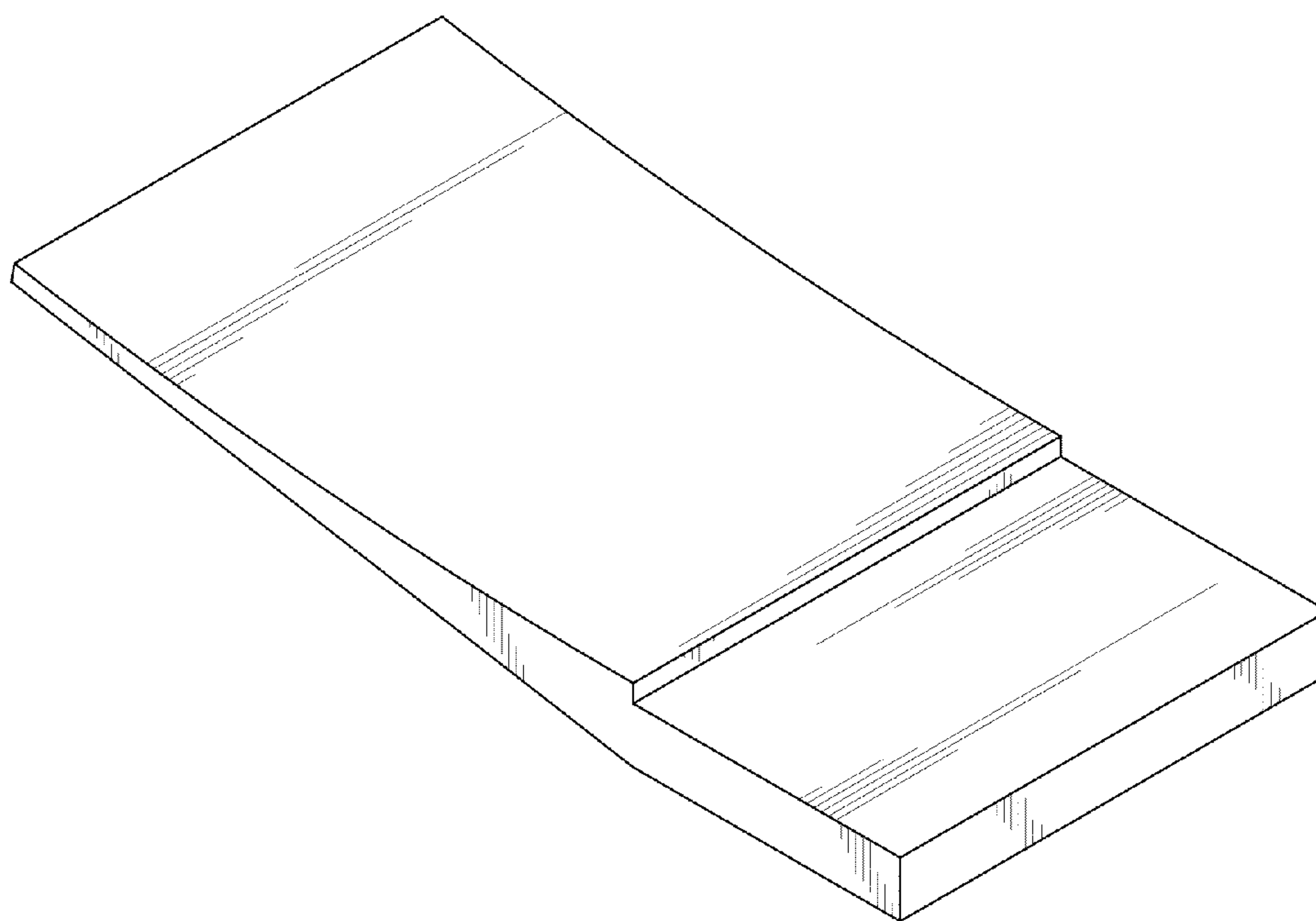


FIG. 1

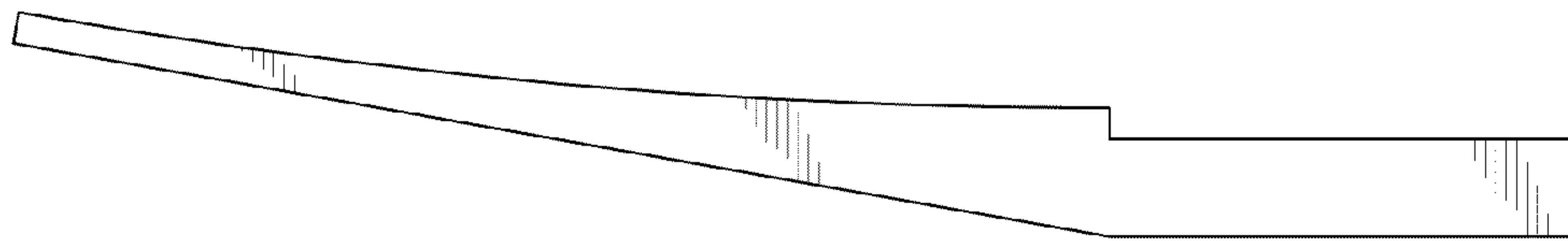


FIG. 2

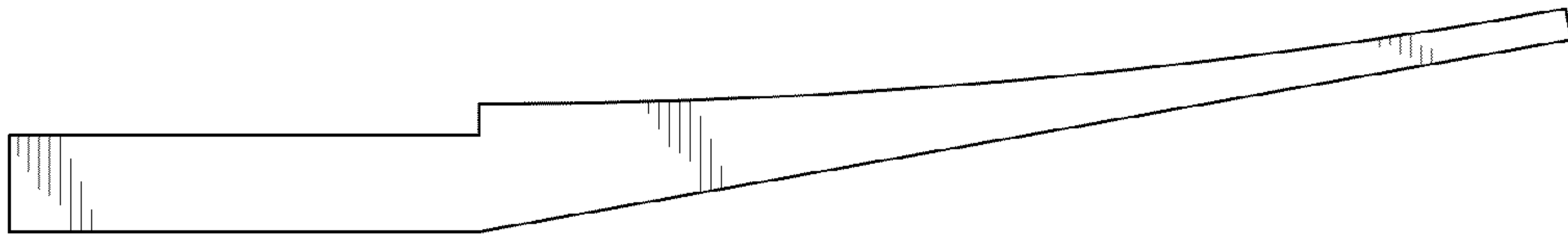


FIG. 3

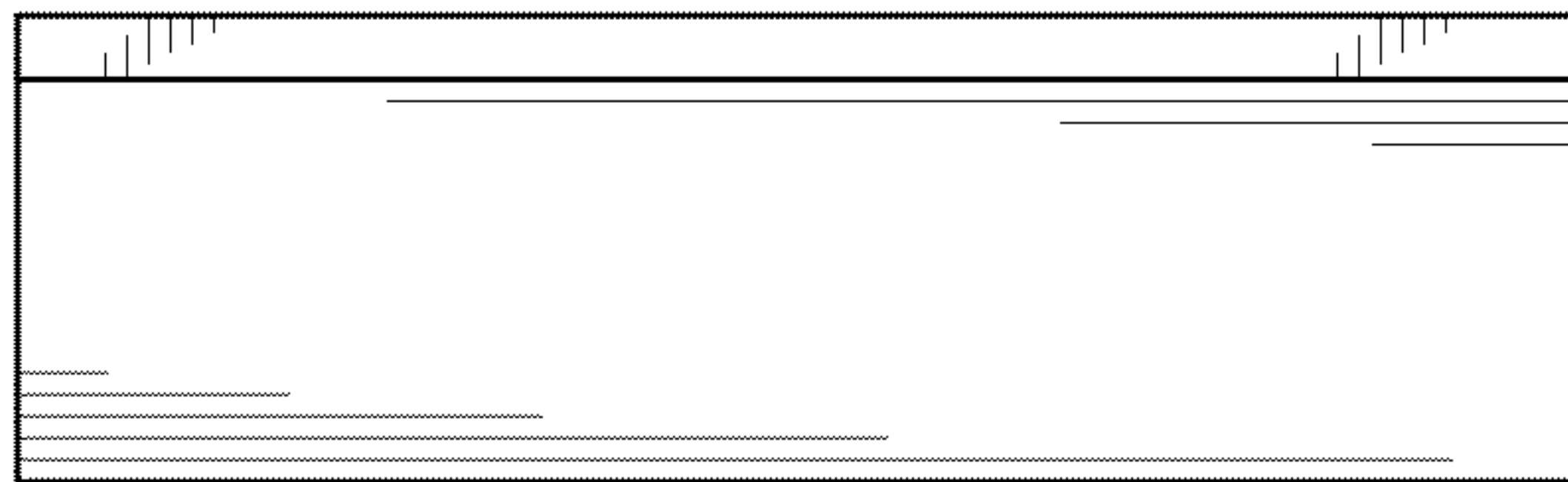


FIG. 4

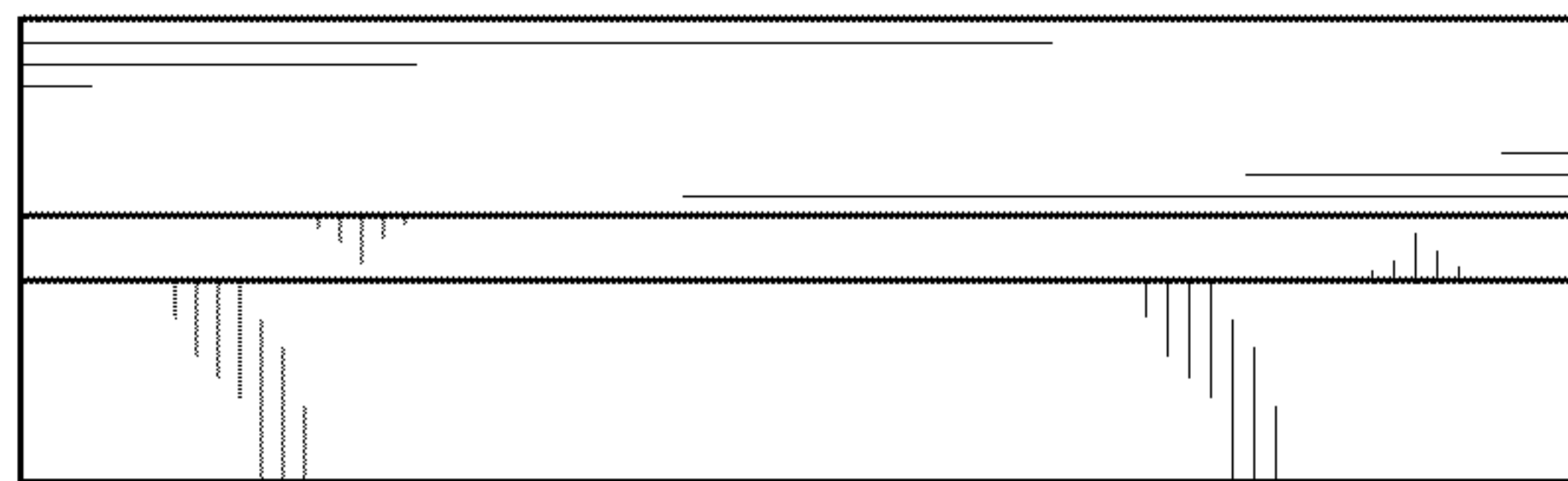


FIG. 5

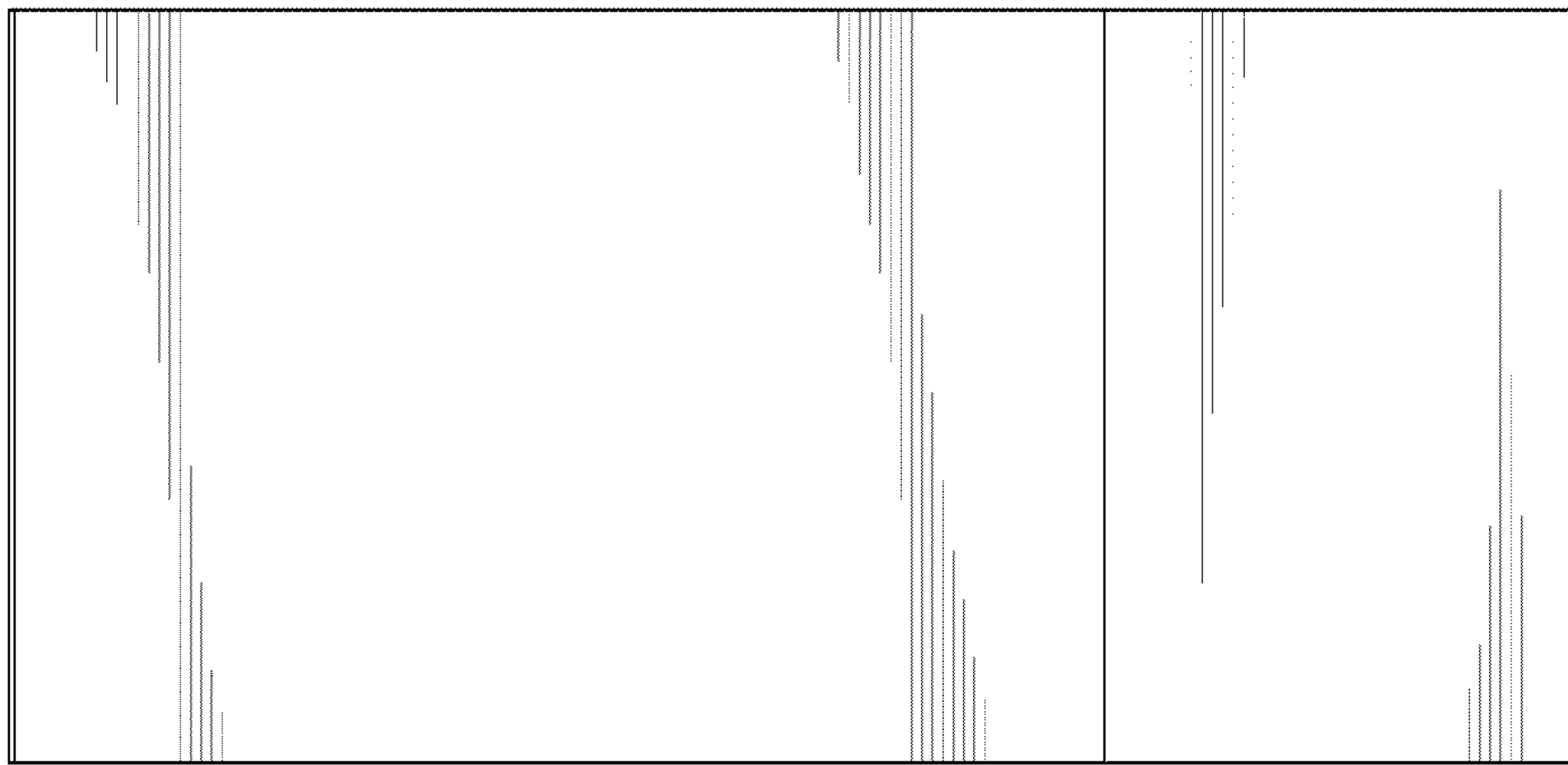


FIG. 6

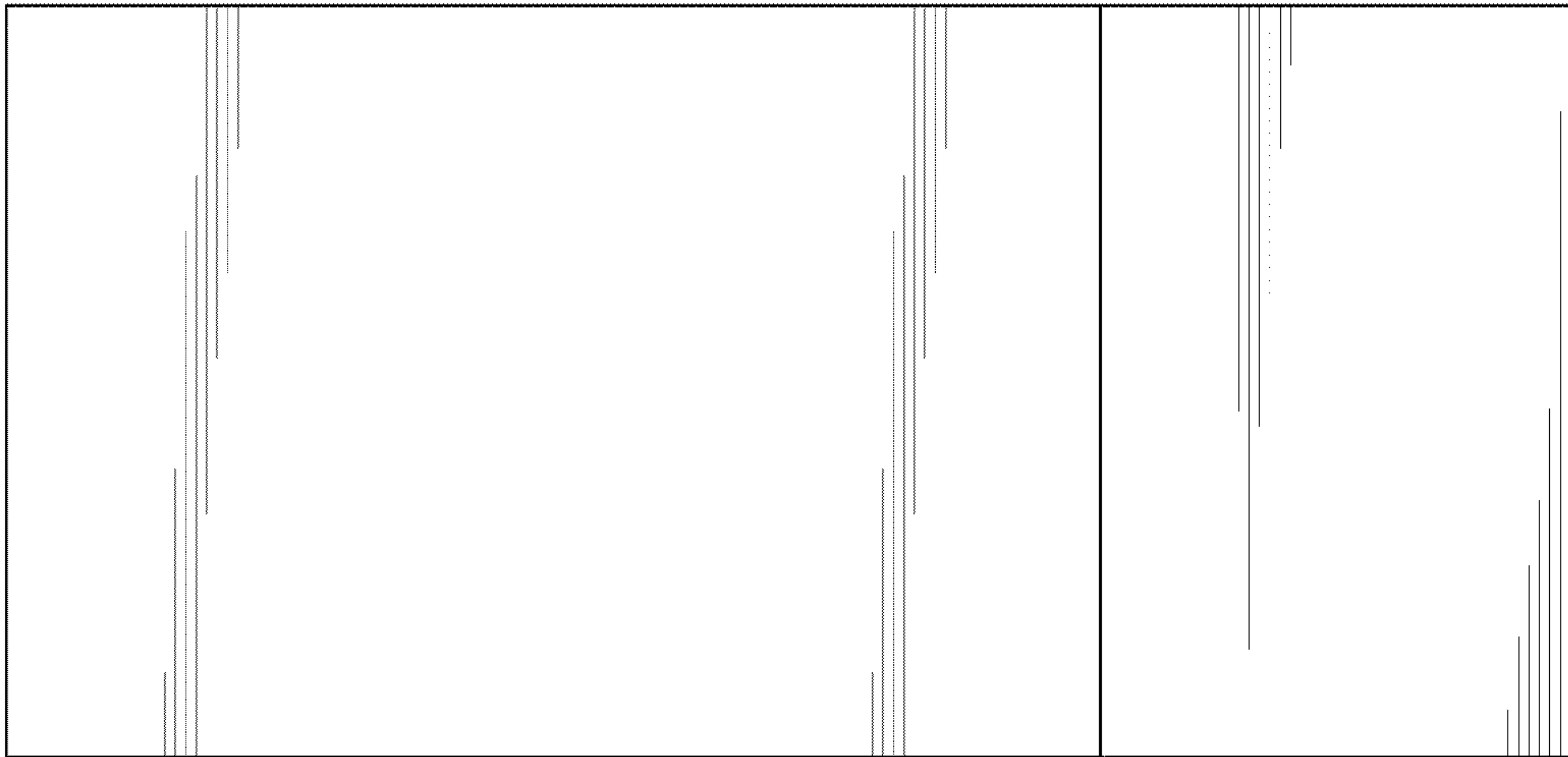


FIG. 7

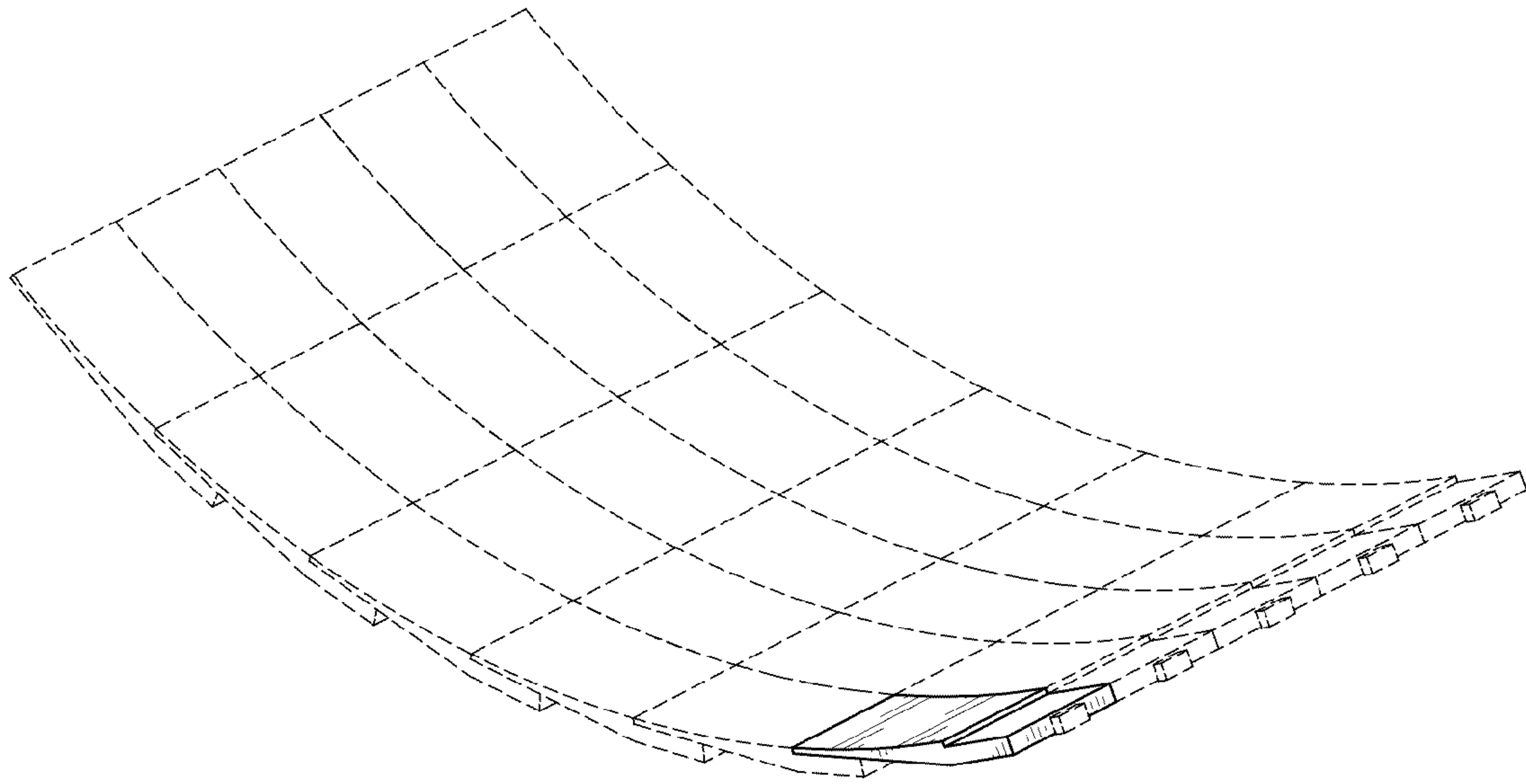


FIG. 8

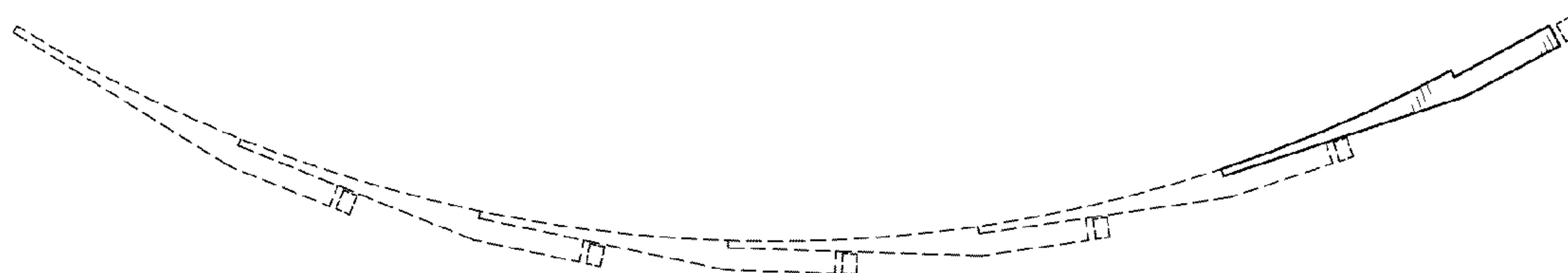


FIG. 9