



US00D735929S

(12) **United States Design Patent**
Huang et al.

(10) **Patent No.:** **US D735,929 S**
(45) **Date of Patent:** **** Aug. 4, 2015**

(54) **LIGHT GUIDE PLATE**

(71) Applicant: **HON HAI PRECISION INDUSTRY CO., LTD.**, New Taipei (TW)

(72) Inventors: **Gwo-Yan Huang**, New Taipei (TW);
Chien-Hsiang Lin, New Taipei (TW);
Mi-Chien Chen, New Taipei (TW);
Mu-Chi Hsu, New Taipei (TW)

(73) Assignee: **HON HAI PRECISION INDUSTRY CO., LTD.**, New Taipei (TW)

(**) Term: **14 Years**

(21) Appl. No.: **29/496,809**

(22) Filed: **Jul. 17, 2014**

(30) **Foreign Application Priority Data**

Jan. 23, 2014 (TW) 103300394

(51) **LOC (10) Cl.** **26-99**

(52) **U.S. Cl.**
USPC **D26/120**

(58) **Field of Classification Search**
USPC D26/9, 10, 12, 13, 15, 16, 24, 51, 61,
D26/72, 76, 80, 81, 85, 86, 88, 90, 113, 118,
D26/119, 120, 122, 128, 129, 138, 143,
D26/144; 362/23.07, 23.14, 23.19, 612,
362/615, 33, 216, 227, 376, 457, 800, 806
CPC F21S 8/026; F21S 8/04; F21V 29/004;
F21V 21/02; F21V 21/04; F21V 29/2212;
F21Y 2101/02

See application file for complete search history.

(56) **References Cited**

U.S. PATENT DOCUMENTS

D32,404 S * 3/1900 Gladney D8/373
4,157,214 A * 6/1979 Hines 353/70

(Continued)

FOREIGN PATENT DOCUMENTS

DE 102011084814 A1 * 10/2011 F21V 19/00
WO WO 2010110210 A1 * 9/2010 F21S 2/00

OTHER PUBLICATIONS

HSOT Light Guide Panel , image post date 2009, site visited Jan. 10, 2015, (online), <<http://weatherall-uk.com/acrylic/hsotlgp.html>>.*

Primary Examiner — Kevin Rudzinski

Assistant Examiner — Sean D Lough

(74) *Attorney, Agent, or Firm* — Novak Druce Connolly Bove + Quigg LLP

(57) **CLAIM**

We claim the ornamental design for a light guide plate, as shown and described.

DESCRIPTION

FIG. 1 is a perspective view of a light guide plate showing our design;

FIG. 2 is a front elevational view thereof;

FIG. 3 is a rear elevational view thereof;

FIG. 4 is a left-side elevational view thereof;

FIG. 5 is a right-side elevational view thereof;

FIG. 6 is a top plan view thereof;

FIG. 7 is a bottom plan view thereof; and,

FIG. 8 is a perspective view of the light guide plate in a first state of use for reference.

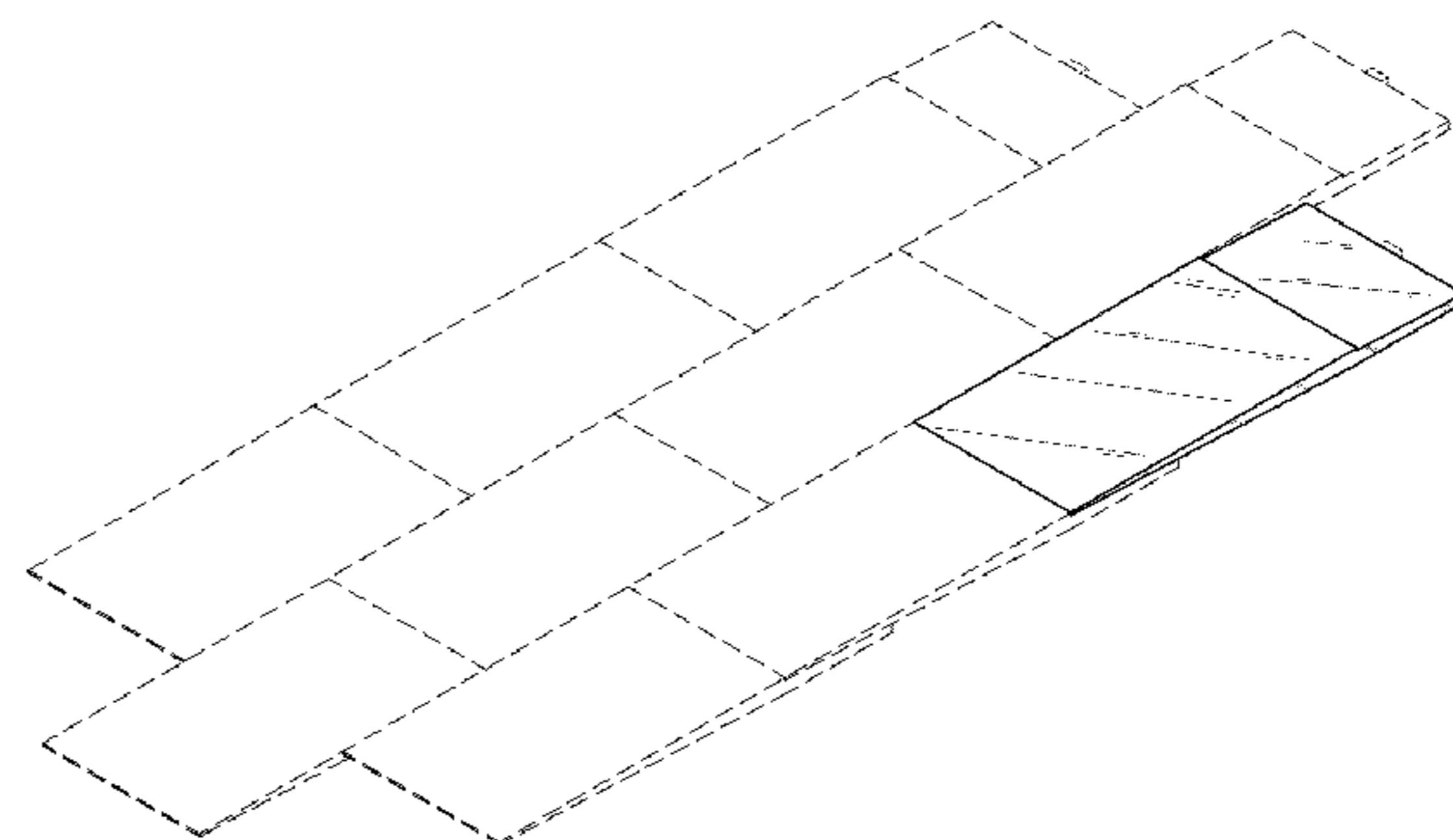
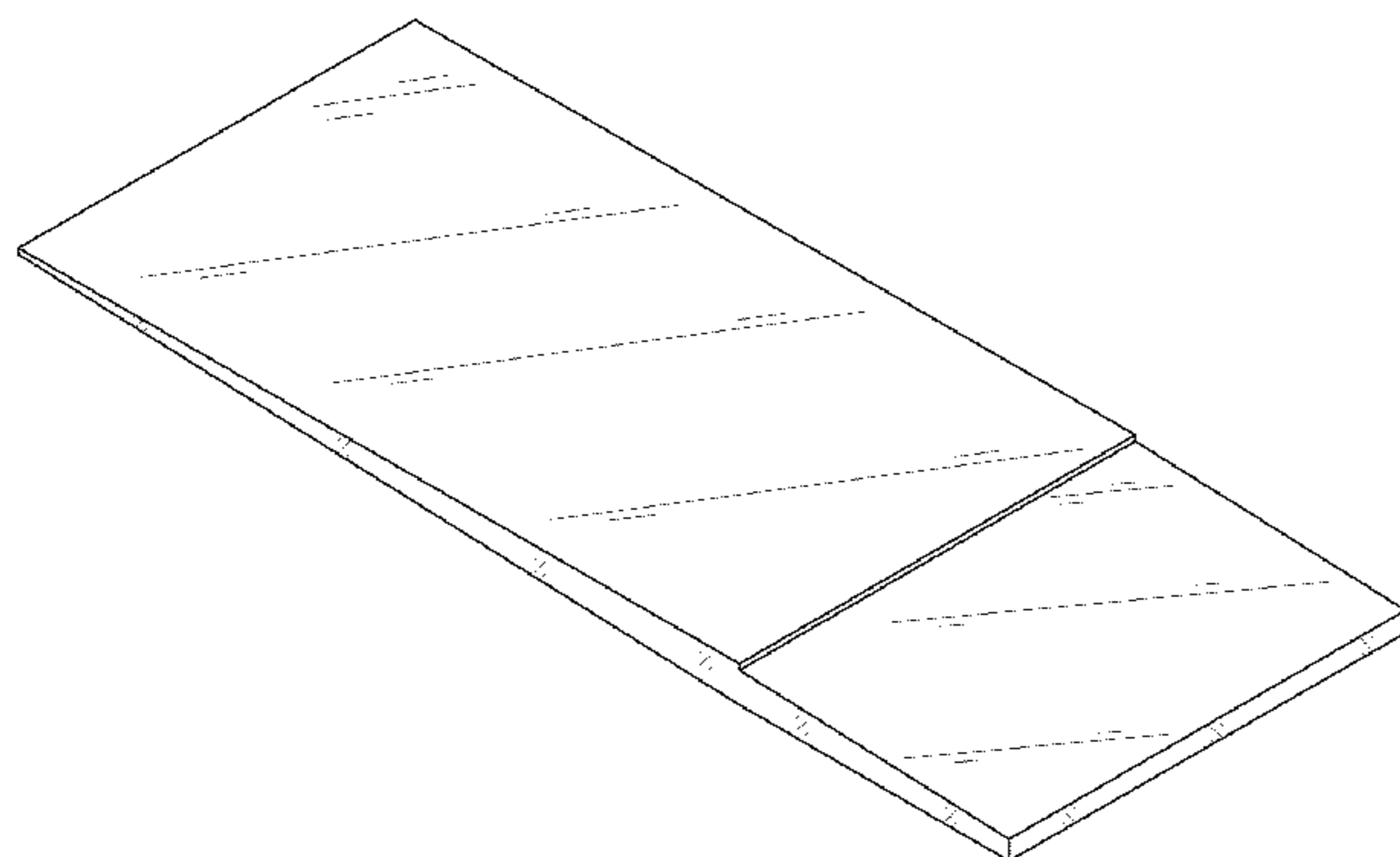
FIG. 9 is a front view of the light guide plate in the first state of use in FIG. 8.

FIG. 10 is a perspective view of the light guide plate in a second state of use for reference; and,

FIG. 11 is a perspective view of the light guide plate in a third state of use for reference.

The broken lines in the drawings are employed to show unclaimed portions of the light guide plate, and form no part of the claimed design.

1 Claim, 11 Drawing Sheets



(56)

References Cited

U.S. PATENT DOCUMENTS

D263,695	S *	4/1982	Reber	D12/400
4,969,068	A *	11/1990	Williams	362/99
5,065,291	A *	11/1991	Frost et al.	362/183
D332,318	S *	1/1993	Reding	D26/24
D334,630	S *	4/1993	Paffrath	D26/120
D439,691	S *	3/2001	Huang	D26/60
6,201,586	B1 *	3/2001	Nakayama	349/58
D454,971	S *	3/2002	Crosby	D26/85
6,522,373	B1 *	2/2003	Hira et al.	362/603
D581,588	S *	11/2008	Huang	D26/142
D589,196	S *	3/2009	Stone et al.	D26/72
D591,440	S *	4/2009	Maxik et al.	D26/72
D591,449	S *	4/2009	Schuyler	D26/154
D595,447	S *	6/2009	Purcell	D26/85
D608,040	S *	1/2010	Guercio	D26/71
D608,935	S *	1/2010	Pedersen	D26/85
D614,802	S *	4/2010	Hsieh	D26/118
D618,833	S *	6/2010	Wei	D26/26
D621,994	S *	8/2010	Espiau et al.	D26/128
D626,281	S *	10/2010	Mark	D26/113
D635,709	S *	4/2011	Federico et al.	D26/84
D636,927	S *	4/2011	Lin	D26/138
D638,982	S *	5/2011	Friedman	D26/118
D639,479	S *	6/2011	Cortes et al.	D26/67
D641,100	S *	7/2011	Li	D26/118
D642,319	S *	7/2011	Sprengers	D26/85
D644,785	S *	9/2011	McDowell	D26/154
D646,014	S *	9/2011	Hsieh	D26/118
D646,825	S *	10/2011	Tolbert et al.	D26/70
D667,163	S *	9/2012	Blum et al.	D26/118
D673,719	S *	1/2013	Yeh	D26/118
D674,128	S *	1/2013	McCoy et al.	D26/93
D700,736	S *	3/2014	Schuyler	D26/113
D703,361	S *	4/2014	Kondou et al.	D26/85
D711,584	S *	8/2014	Parker et al.	D26/120
D713,088	S *	9/2014	Kitts	D26/85
D713,591	S *	9/2014	Blum et al.	D26/85
D713,762	S *	9/2014	Handy	D12/6
8,911,102	B2 *	12/2014	Holman et al.	362/147
2003/0063456	A1 *	4/2003	Katahira	362/27
2003/0118294	A1 *	6/2003	Korenaga et al.	385/92
2005/0030444	A1 *	2/2005	Fujiwara et al.	349/64
2005/0066727	A1 *	3/2005	Fujimoto et al.	73/504.16
2006/0067071	A1 *	3/2006	Quittner	362/201
2006/0262566	A1 *	11/2006	Yao	362/616
2010/0172128	A1 *	7/2010	Gustaveson	362/183
2010/0180481	A1 *	7/2010	Parizek et al.	40/610
2011/0007500	A1 *	1/2011	Gustaveson	362/183
2011/0172875	A1 *	7/2011	Gibbs	701/33
2011/0235347	A1 *	9/2011	Chou et al.	362/427
2012/0229422	A1 *	9/2012	Hwang et al.	345/175
2013/0135874	A1 *	5/2013	Hofmann et al.	362/294
2013/0148360	A1 *	6/2013	Jeon et al.	362/294
2014/0001501	A1 *	1/2014	Park et al.	257/91
2014/0069030	A1 *	3/2014	Boissevain et al.	52/28
2014/0085927	A1 *	3/2014	Ito et al.	362/609
2014/0104836	A1 *	4/2014	Kinnune et al.	362/249.02
2014/0104856	A1 *	4/2014	Lamonato et al.	362/362
2014/0132889	A1 *	5/2014	Li	349/65
2014/0306243	A1 *	10/2014	Lin et al.	257/88
2014/0347882	A1 *	11/2014	Ouderkirk et al.	362/608

* cited by examiner

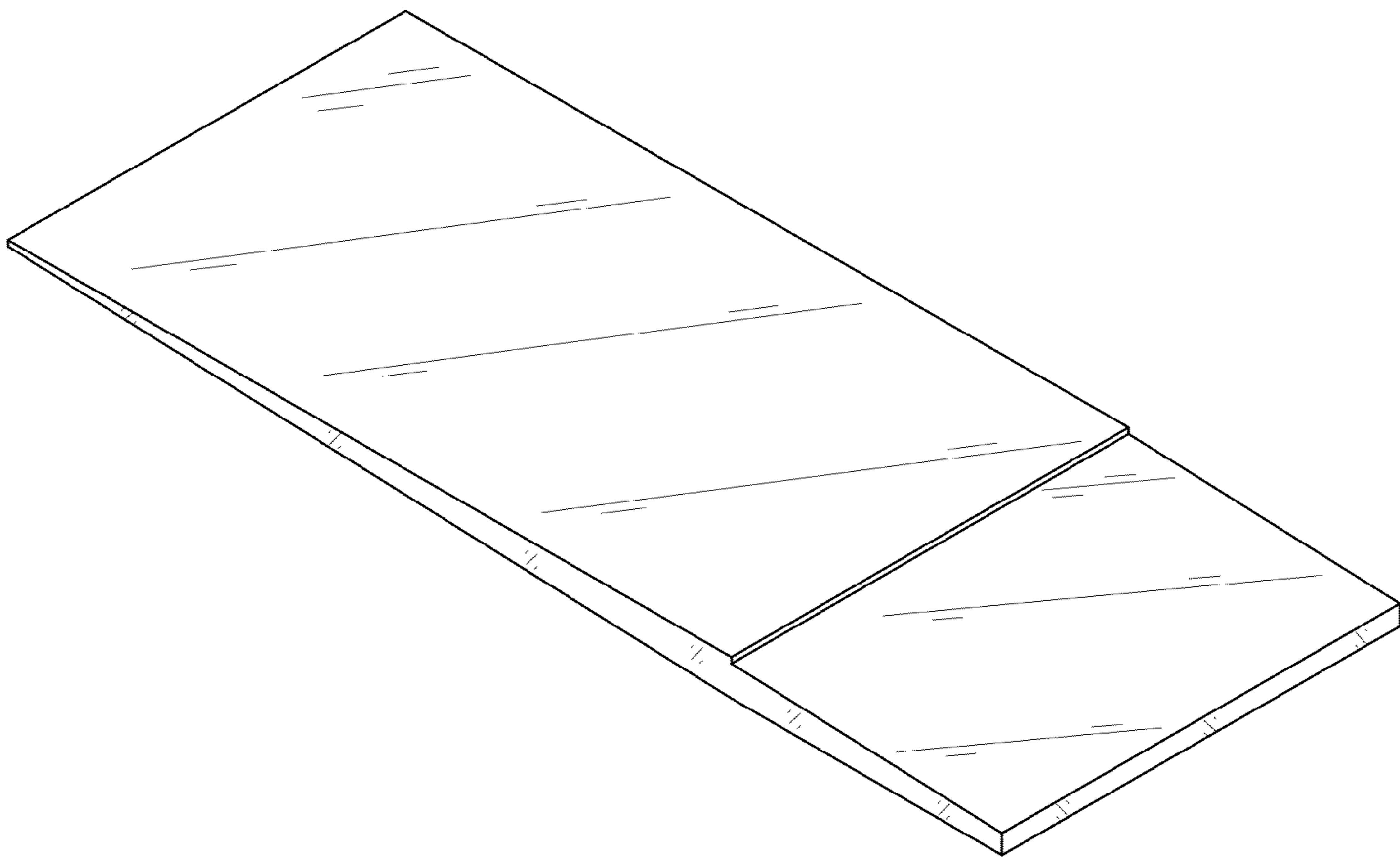


FIG. 1

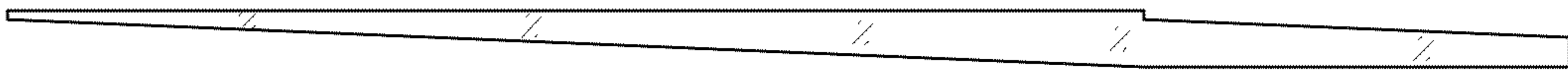


FIG. 2

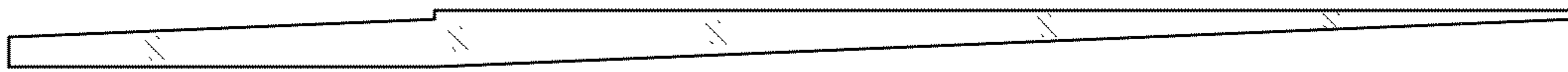


FIG. 3

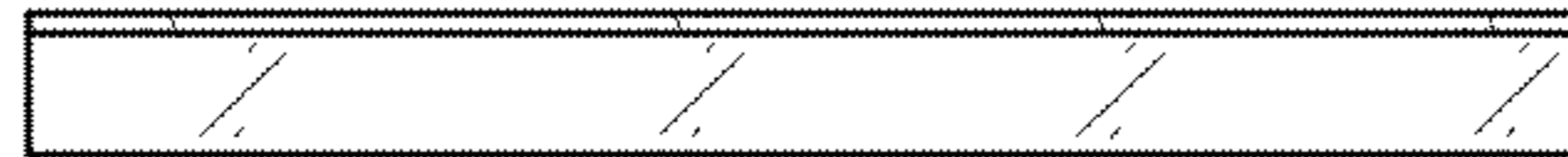


FIG. 4

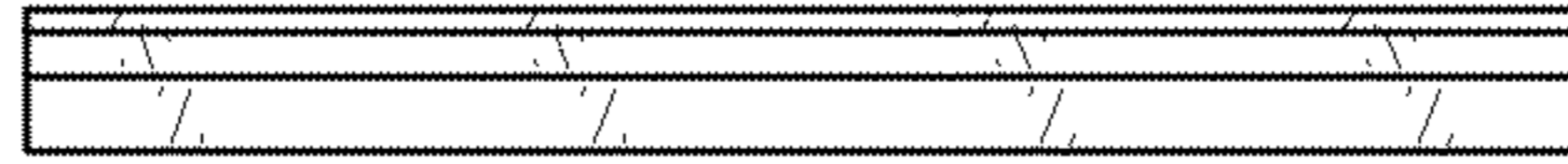


FIG. 5

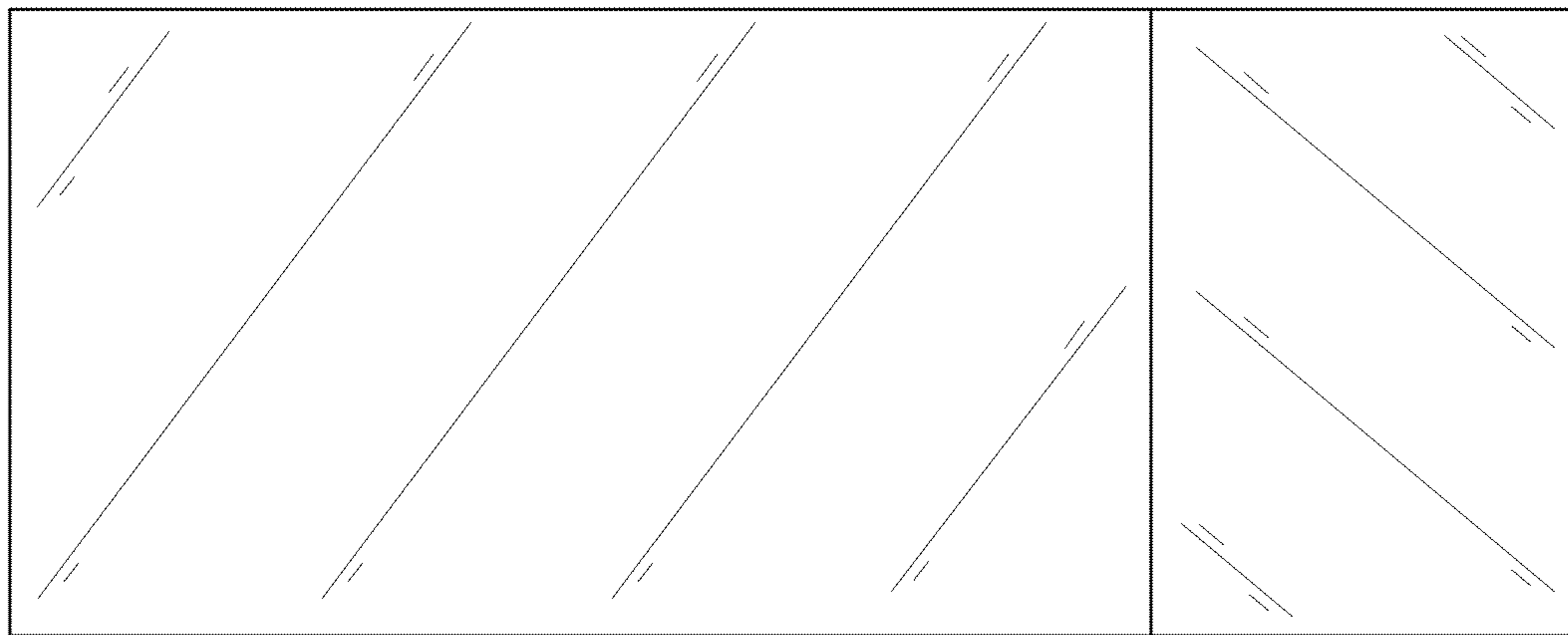


FIG. 6

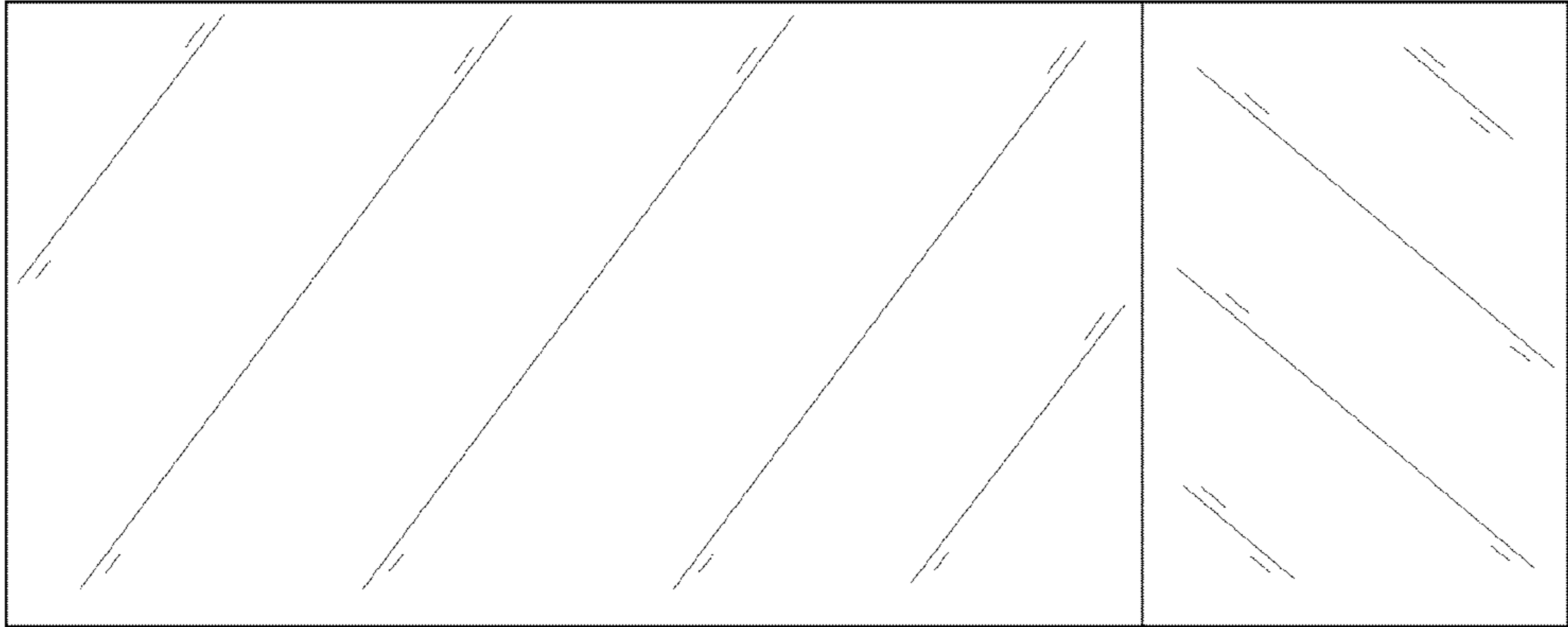


FIG. 7

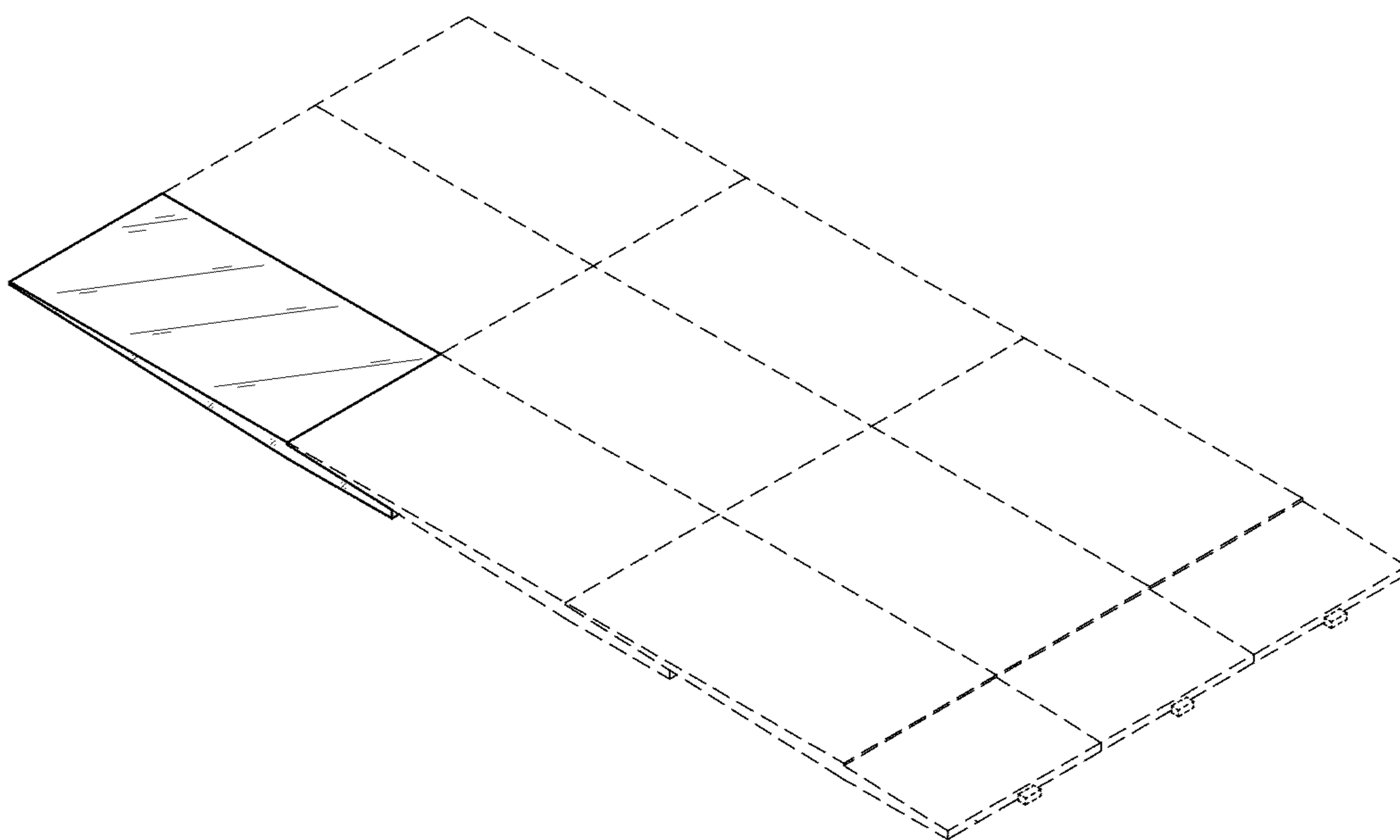


FIG. 8

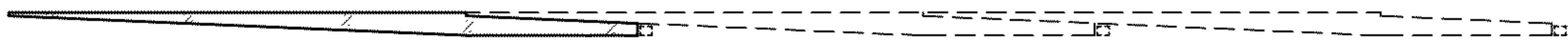


FIG. 9

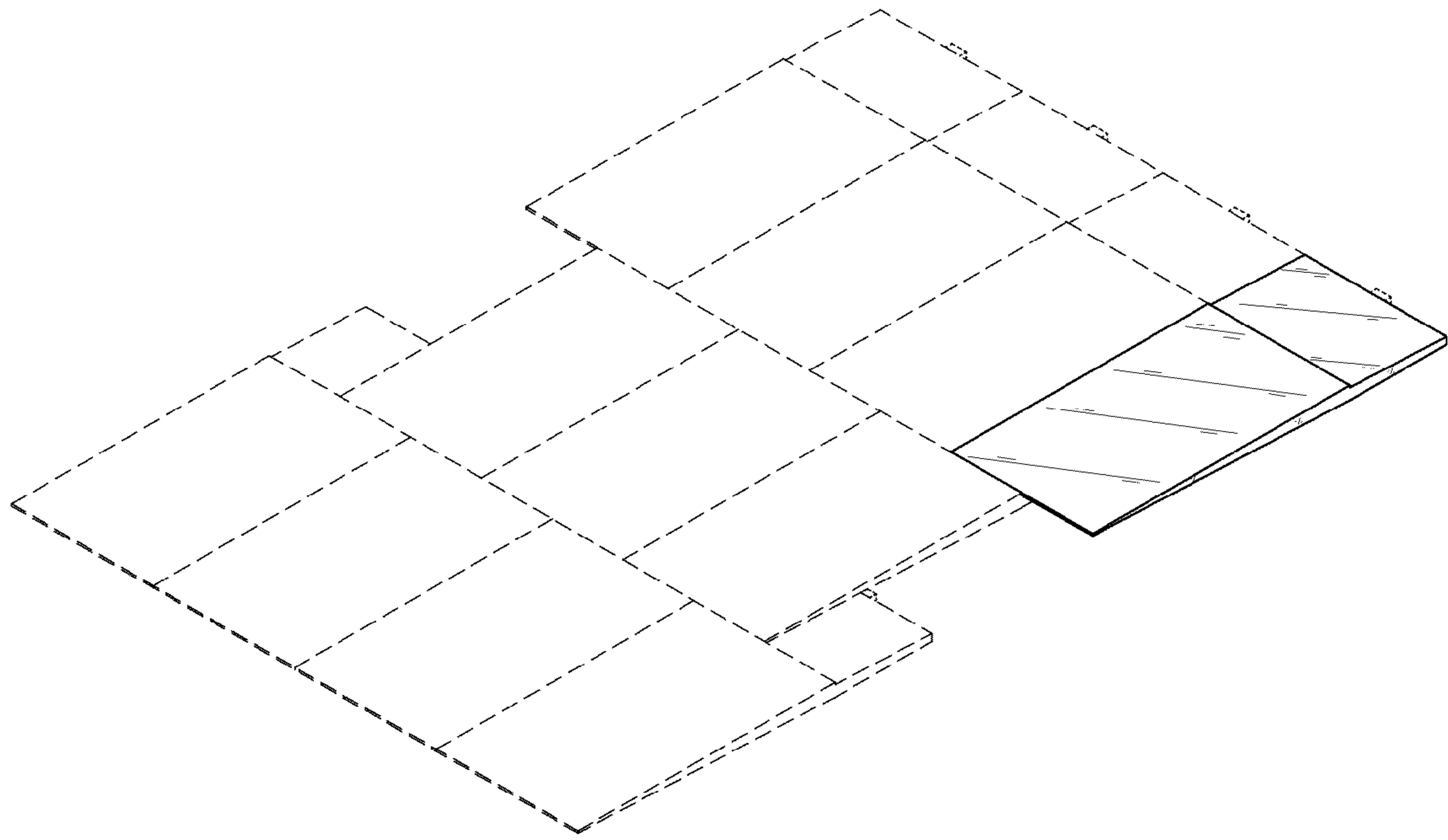


FIG. 10

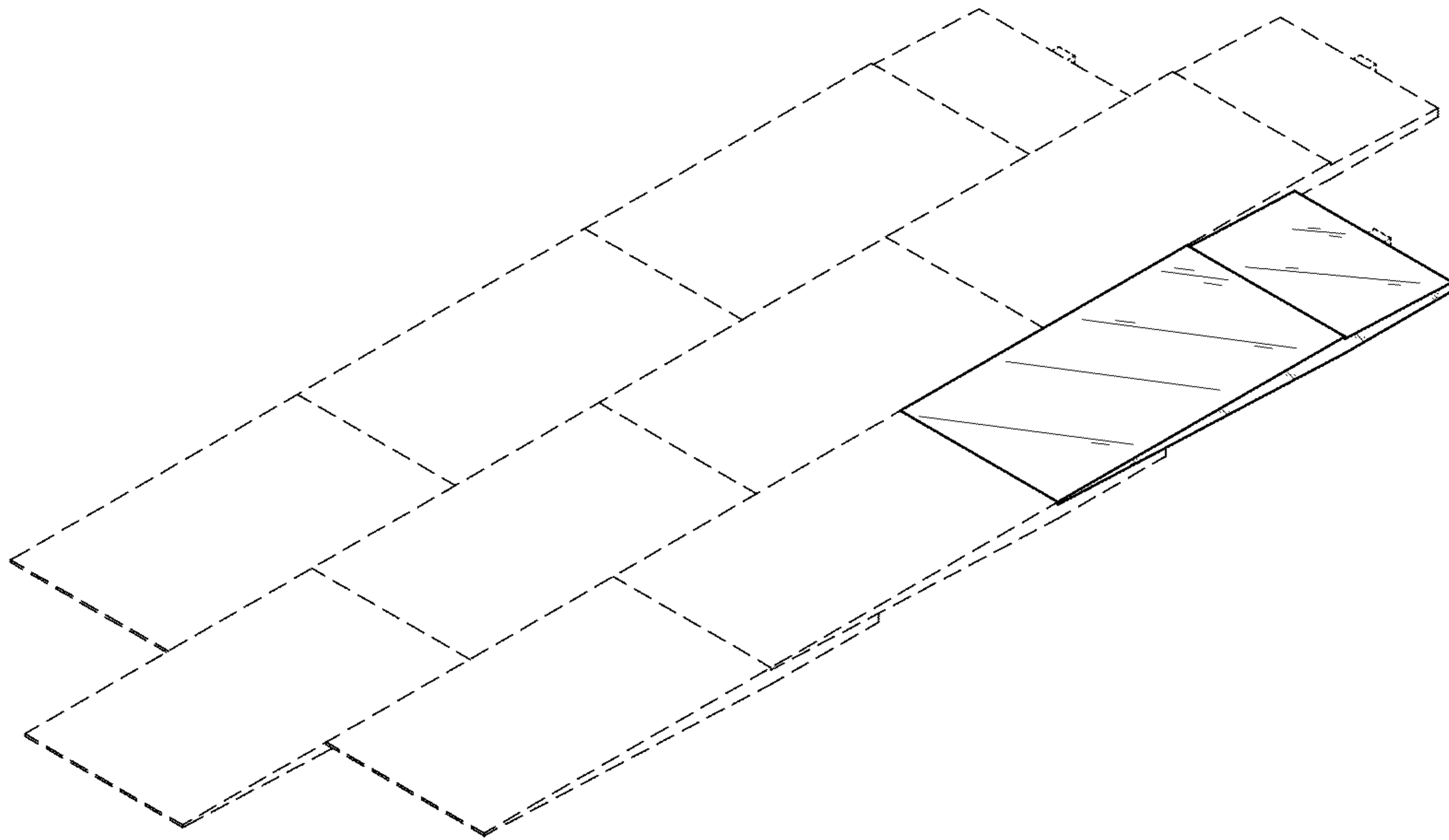


FIG. 11