



US00D735928S

(12) **United States Design Patent**
Hawkins et al.

(10) **Patent No.:** **US D735,928 S**

(45) **Date of Patent:** **** Aug. 4, 2015**

(54) **CURVED LED LIGHTING FIXTURE**

(71) Applicants: **James Bradford Hawkins**, Liberty, MO
(US); **Jeremy Daniel Langton**, St.
Joseph, MO (US)

(72) Inventors: **James Bradford Hawkins**, Liberty, MO
(US); **Jeremy Daniel Langton**, St.
Joseph, MO (US)

(**) Term: **14 Years**

(21) Appl. No.: **29/493,671**

(22) Filed: **Jun. 12, 2014**

(51) **LOC (10) Cl.** **26-99**

(52) **U.S. Cl.**
USPC **D26/120**

(58) **Field of Classification Search**
USPC D26/9, 10, 12, 13, 15, 16, 24, 51, 61,
D26/72, 76, 80, 81, 85, 86, 88, 90, 113, 118,
D26/119, 120, 122, 128, 129, 138, 143,
D26/144; D13/180

CPC F21S 8/026; F21S 8/04; F21V 29/004;
F21V 21/02; F21V 21/04; F21V 29/2212;
F21Y 2101/02

See application file for complete search history.

(56) **References Cited**

U.S. PATENT DOCUMENTS

3,575,511	A *	4/1971	Francis	356/331
D313,669	S *	1/1991	Sonneman	D26/109
D403,458	S *	12/1998	Walz	D26/85
D434,172	S *	11/2000	Bernd	D26/88
D444,262	S *	6/2001	Eberlein et al.	D26/118
D448,106	S *	9/2001	Lin	D26/87
6,332,690	B1 *	12/2001	Murofushi	362/611
D455,223	S *	4/2002	Crosby	D26/85
D457,540	S *	5/2002	Kieronski	D16/130
D468,854	S *	1/2003	Chen	D26/93
D477,105	S *	7/2003	Herst et al.	D26/76
D555,440	S *	11/2007	Murray	D8/1
D568,525	S *	5/2008	Chandler	D26/85

D591,443	S *	4/2009	Beno et al.	D26/88
7,515,326	B2 *	4/2009	Selbrede et al.	359/290
D599,048	S *	8/2009	Xiao et al.	D26/68
D606,231	S *	12/2009	Sabernig	D26/85
D608,926	S *	1/2010	Xiao et al.	D26/71
D608,935	S *	1/2010	Pedersen	D26/85
D620,630	S *	7/2010	Sabernig	D26/86
D624,225	S *	9/2010	Federico et al.	D26/63
D626,275	S *	10/2010	Sabernig	D26/85

(Continued)

FOREIGN PATENT DOCUMENTS

CA	2340513	A1 *	9/2001	F21V 17/104
EP	1367677	A2 *	12/2003	H01R 12/16

(Continued)

OTHER PUBLICATIONS

Curved Canopy 30-inch Wall-mounted Range Hood, image post date Apr. 15, 2010, site visited Jan. 3, 2015, (online), <<http://www.overstock.com/Home-Garden/Curved-Canopy-30-inch-Wall-mounted-Range-Hood/3498511/product.html>>.*

(Continued)

Primary Examiner — Kevin Rudzinski

Assistant Examiner — Sean D Lough

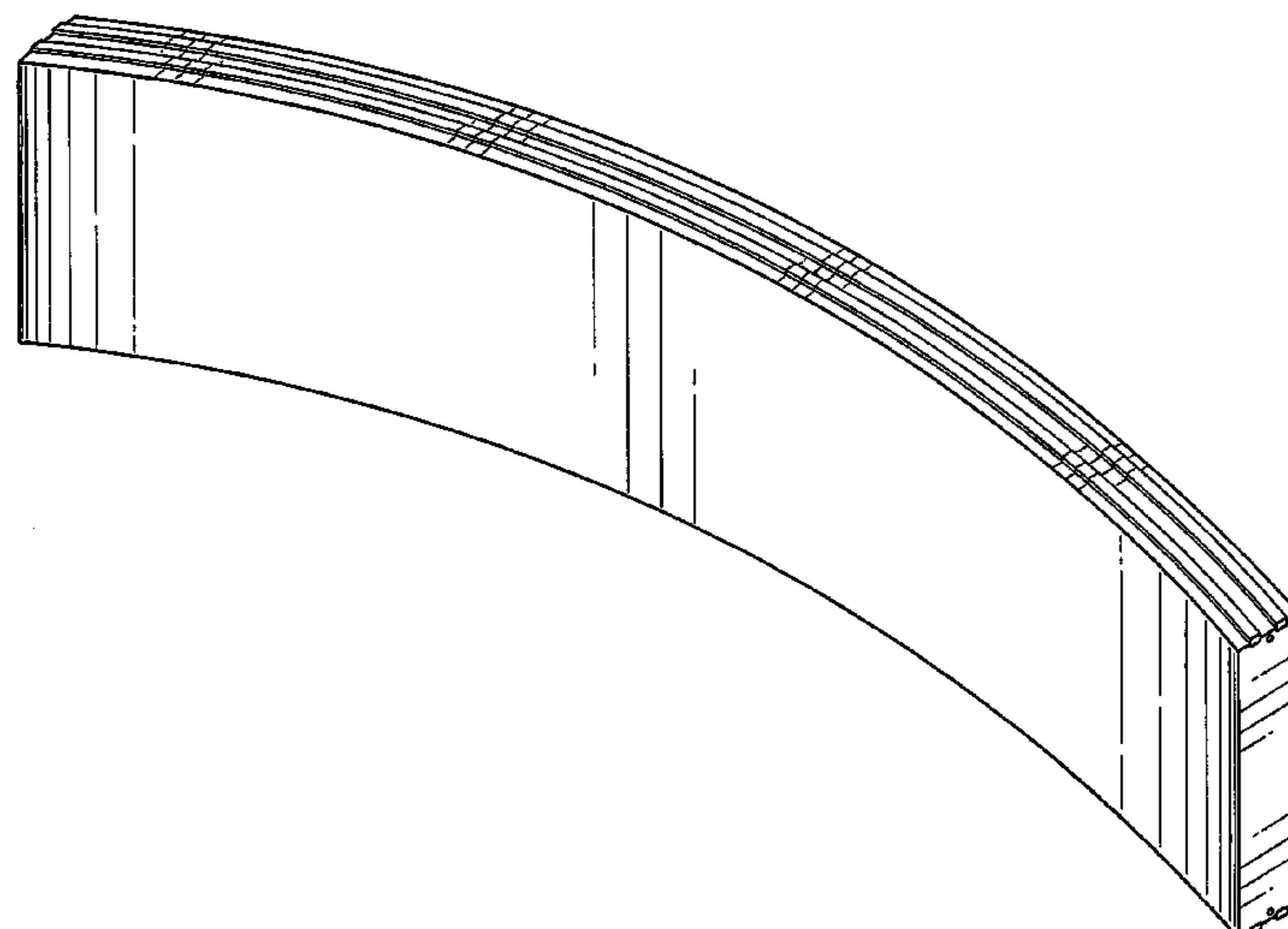
(57) **CLAIM**

The ornamental design for a curved LED lighting fixture, as shown and described.

DESCRIPTION

FIG. 1 is a front perspective view of the curved LED lighting fixture showing our new design; FIG. 2 is a front view thereof; FIG. 3 is a rear view thereof; FIG. 4 is a top view thereof; FIG. 5 is a bottom view thereof; FIG. 6 is a left side view thereof; and, FIG. 7 is a right side view thereof.

1 Claim, 4 Drawing Sheets



(56)

References Cited

U.S. PATENT DOCUMENTS

D635,709 S * 4/2011 Federico et al. D26/84
 D637,754 S * 5/2011 Baker et al. D26/118
 7,980,741 B2 * 7/2011 Zwick 362/511
 D646,014 S * 9/2011 Hsieh D26/118
 8,054,541 B2 * 11/2011 Kang et al. 359/364
 D656,267 S * 3/2012 Laporte D26/120
 D656,502 S * 3/2012 Cacioppo et al. D14/453
 D667,163 S * 9/2012 Blum et al. D26/118
 8,331,749 B2 * 12/2012 Lew 385/116
 D683,066 S * 5/2013 Myung D26/120
 D685,945 S * 7/2013 Lindsley et al. D26/85
 D698,967 S * 2/2014 Rangesh et al. D26/71
 8,721,152 B2 * 5/2014 Coleman et al. 362/617
 D706,411 S * 6/2014 Wang D23/413
 D711,039 S * 8/2014 Huang et al. D26/120
 D711,040 S * 8/2014 Huang et al. D26/120
 8,804,071 B2 * 8/2014 Ono et al. 349/65

FOREIGN PATENT DOCUMENTS

WO WO 2010066245 A1 * 6/2010 F21S 10/02
 WO WO 2012114887 A1 * 8/2012 F21Y 2105/008

OTHER PUBLICATIONS

Lumiblade, image post date May 20, 2010, site visited Dec. 16, 2014, (online), <<http://www.ledsmagazine.com/content/dam/iif/migrated/objects/features/3/8/1/OLED3.jpg>>.*
 Lumiblade from Tineye, image post date Dec. 16, 2014, site visited Dec. 16, 2014, (online), <<https://www.tineye.com/search/fb424420baccaad4faec96fbeb854452737efac6/>>.*
 OLED panels, image post date Oct. 16, 2012, site visited Dec. 16, 2014, (online), <<http://www.ledsmagazine.com/content/dam/iif/migrated/objects/features/3/8/1/OLED8.jpg>>.*
 OLED panels from Tineye, image post date Dec. 16, 2014, site visited Dec. 16, 2014, (online), <<https://www.tineye.com/search/82bbb6899792533d8d0bcef1e4635311381d3bd4/>>.*

* cited by examiner

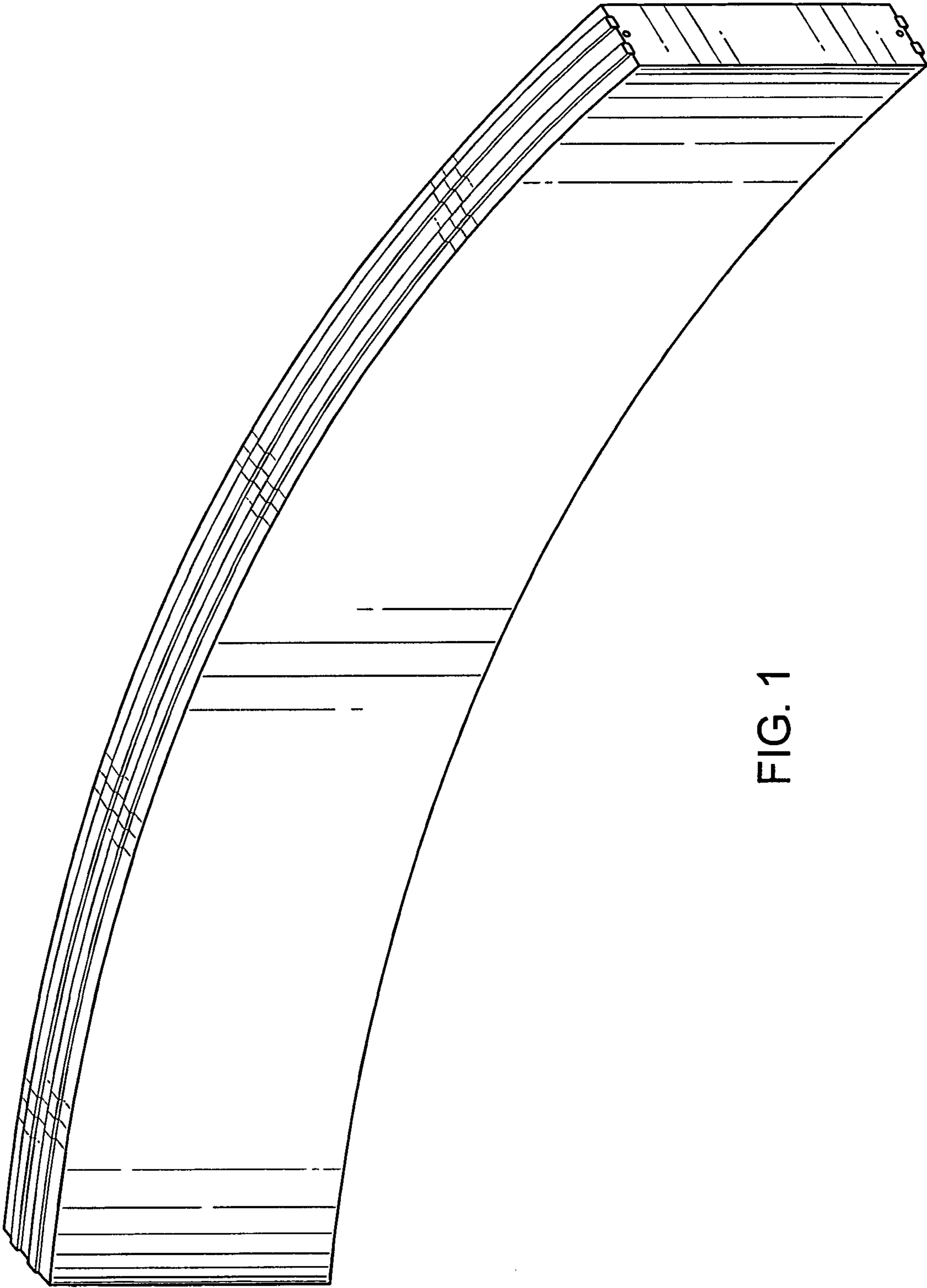


FIG. 1

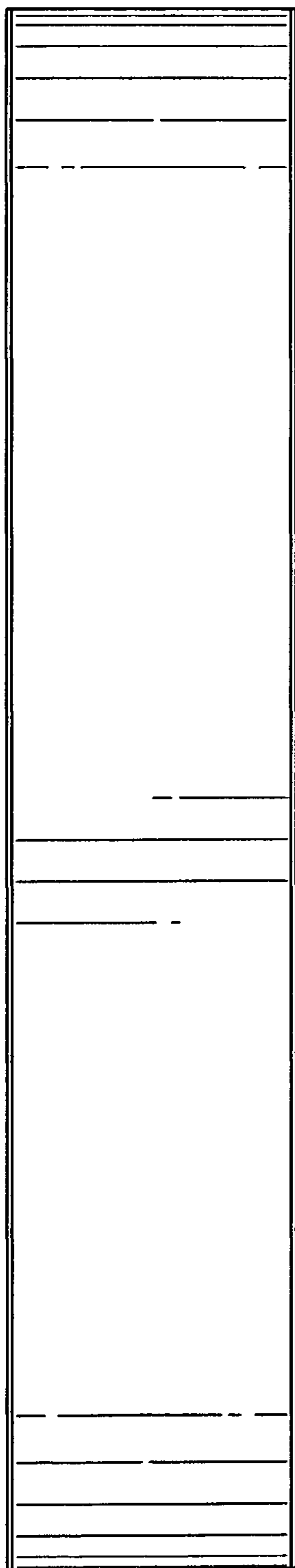


FIG. 2

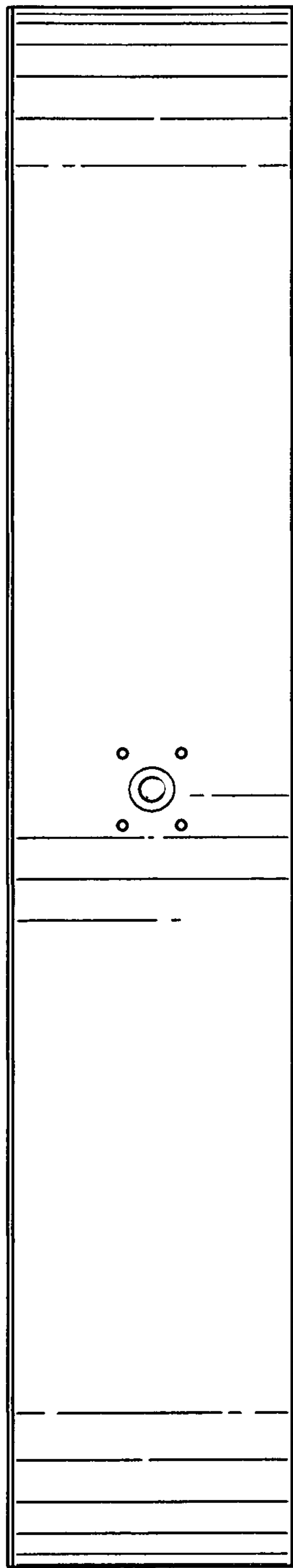


FIG. 3

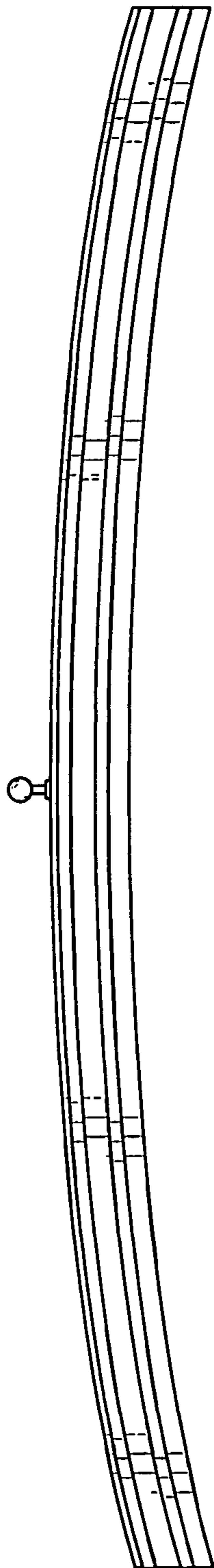


FIG. 4

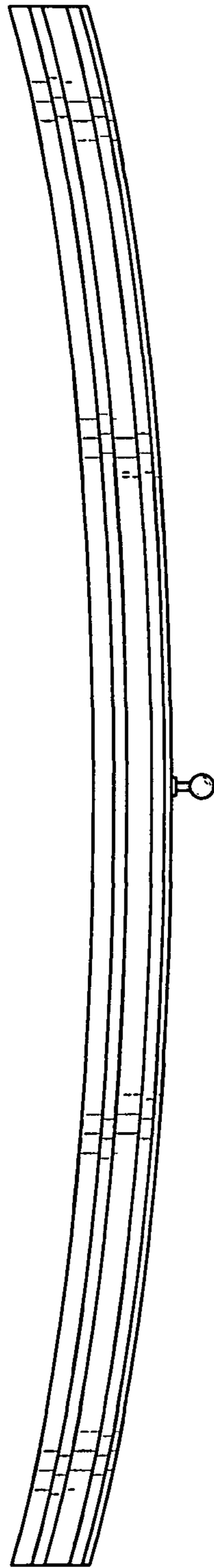


FIG. 5

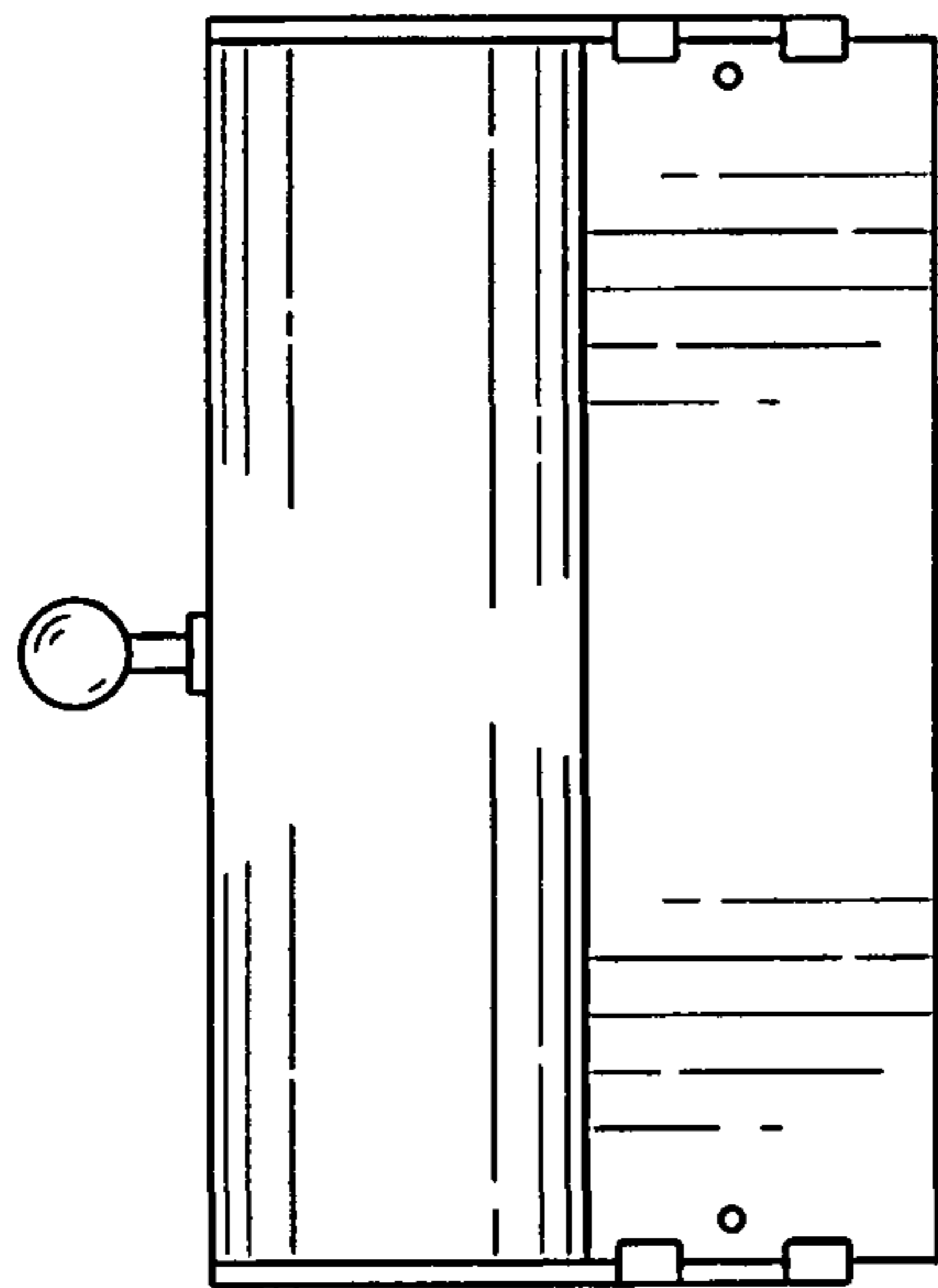


FIG. 6

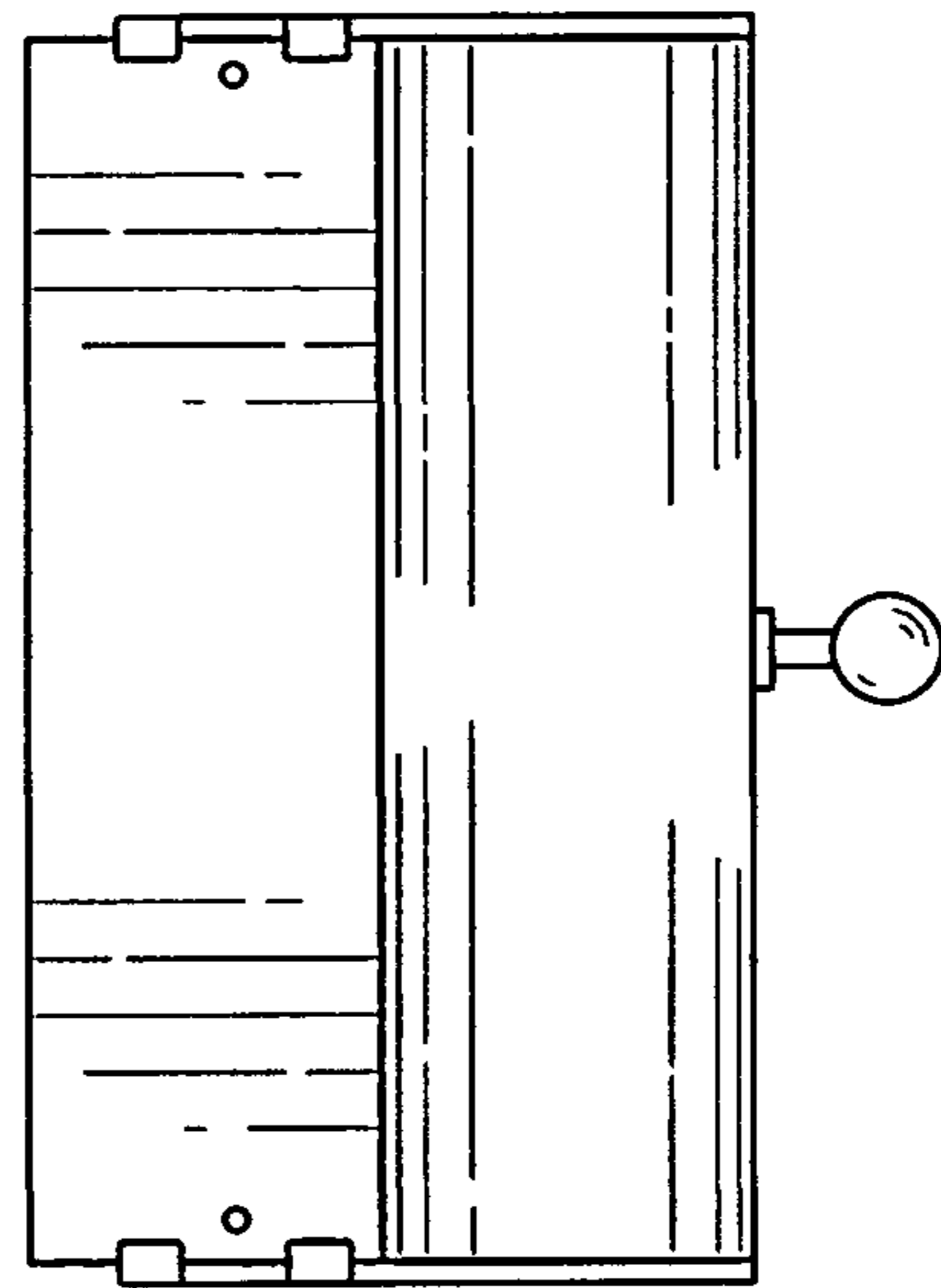


FIG. 7