



US00D735927S

(12) **United States Design Patent**
Lee

(10) **Patent No.:** **US D735,927 S**
(45) **Date of Patent:** **** Aug. 4, 2015**

(54) **CURVED LIGHT FIXTURE**

(71) Applicant: **HeathCo, LLC**, Bowling Green, KY
(US)

(72) Inventor: **Jonathan Arnold Lee**, LaGrange, IL
(US)

(73) Assignee: **HEATHCO, LLC**, Bowling Green, KY
(US)

(**) Term: **14 Years**

(21) Appl. No.: **29/490,424**

(22) Filed: **May 9, 2014**

Related U.S. Application Data

(63) Continuation-in-part of application No. 29/475,016,
filed on Nov. 27, 2013, now Pat. No. Des. 708,388.

(51) **LOC (10) Cl.** **29-99**

(52) **U.S. Cl.**
USPC **D26/120**

(58) **Field of Classification Search**
USPC D26/85, 86, 89, 87, 113, 120, 122, 124,
D26/125, 118, 119, 128, 92, 65, 64, 63, 66,
D26/67, 69, 1, 2, 74, 75, 76, 78; 362/364,
362/362, 342, 223, 236, 247, 224, 147;
D13/179, 180

See application file for complete search history.

(56) **References Cited**

U.S. PATENT DOCUMENTS

D269,210 S	5/1983	Cutlip	
D336,756 S	6/1993	Meisner	
D385,370 S	10/1997	Moore	
D386,801 S *	11/1997	Orgovan D26/31
D386,802 S	11/1997	Kim	

5,726,706 A *	3/1998	Walsh 348/151
D457,540 S *	5/2002	Kieronski D16/130
D477,105 S	7/2003	Herst	
D499,823 S	12/2004	Reiss	
D565,786 S *	4/2008	Willmorth et al. D26/138
7,448,779 B2	11/2008	Coushaine	
D589,640 S *	3/2009	Janssen D26/90
D591,444 S	4/2009	Beno	
D595,447 S *	6/2009	Purcell D26/85
D598,156 S	8/2009	Xiao	

(Continued)

OTHER PUBLICATIONS

Picture of device displayed by a third party at a trade show prior to
May 9, 2014.

Primary Examiner — Kevin Rudzinski
(74) *Attorney, Agent, or Firm* — Fitch, Even, Tabin &
Flannery LLP

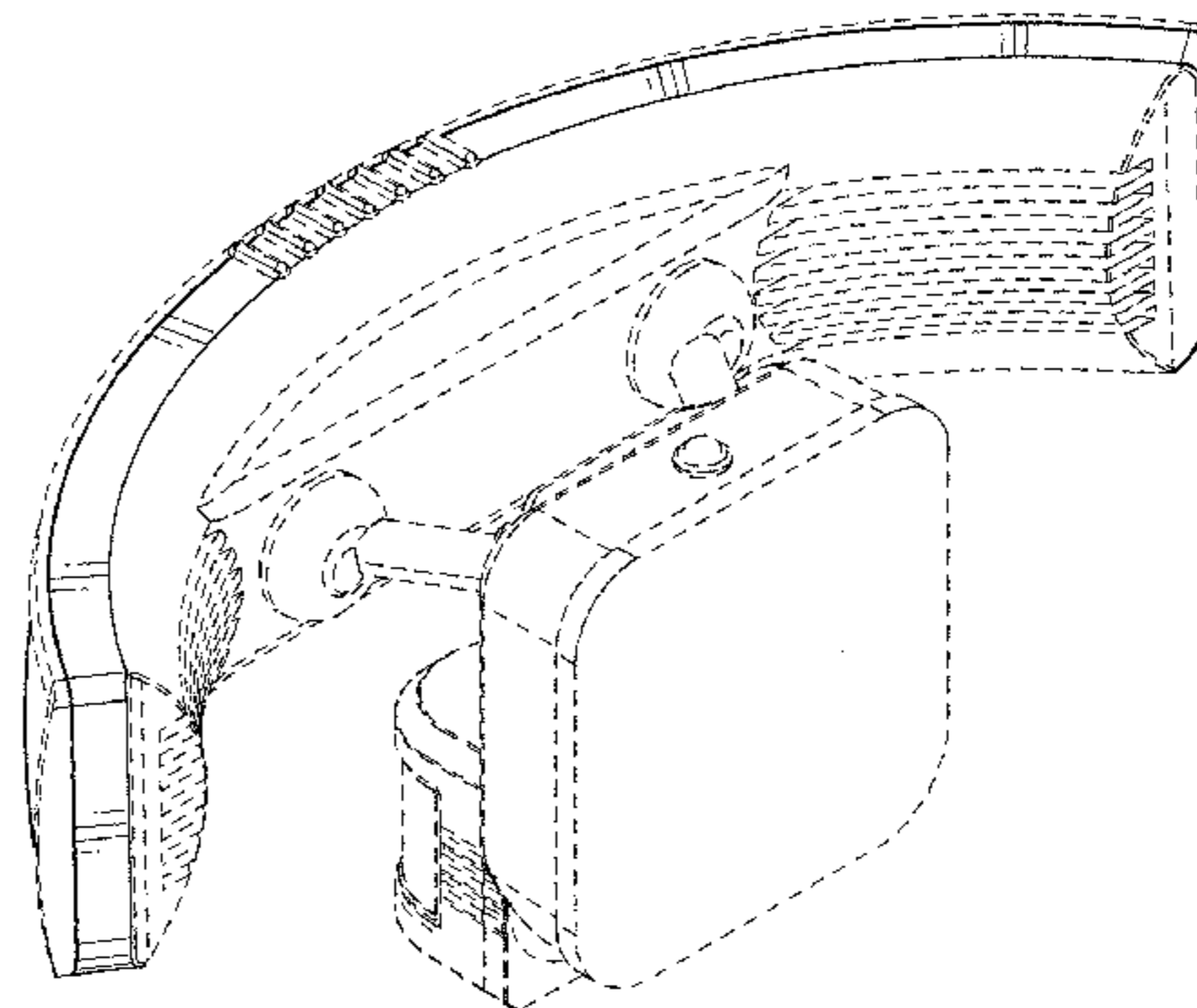
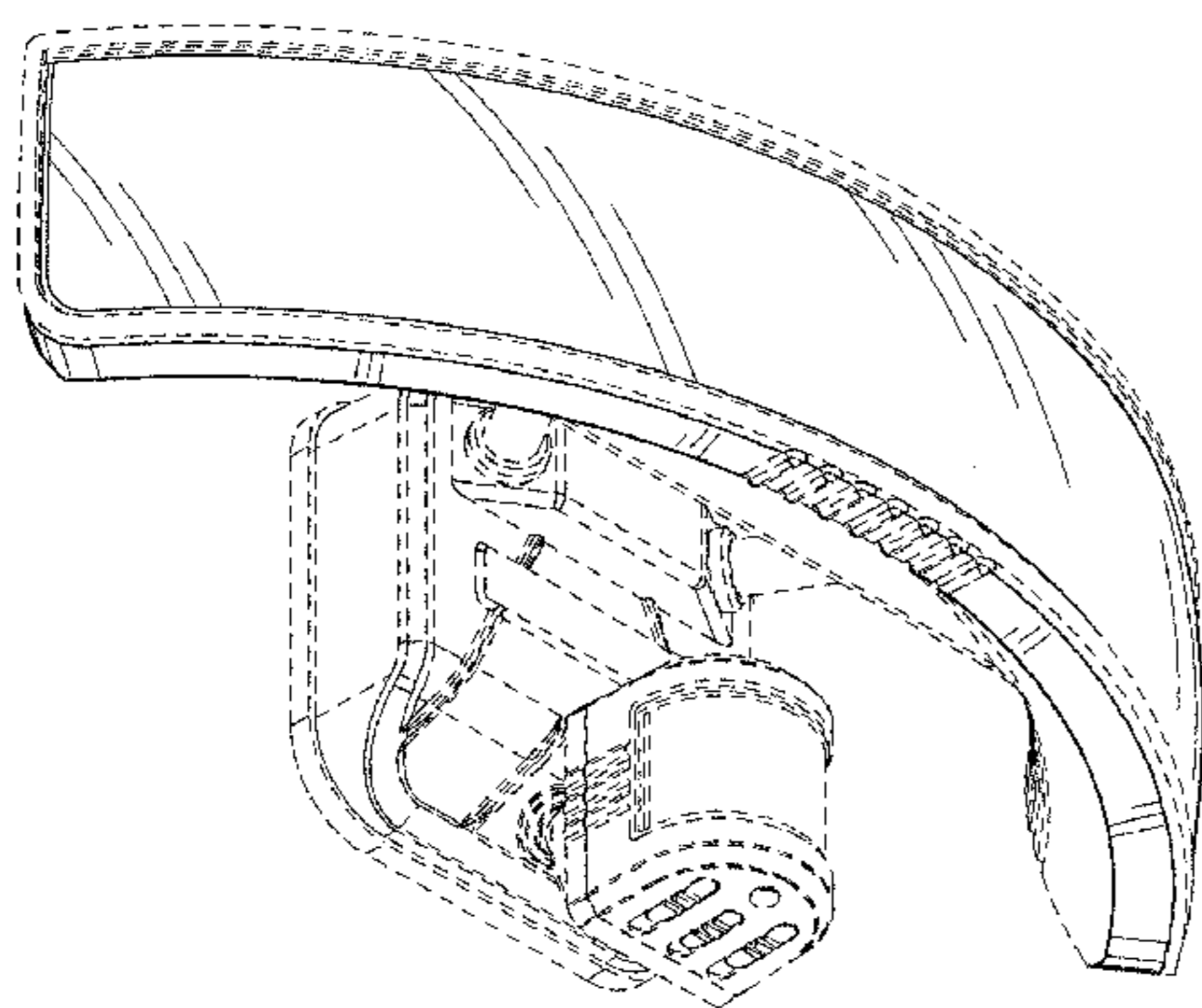
(57) **CLAIM**

I claim the ornamental design for a curved light fixture, as
shown and described.

DESCRIPTION

FIG. 1 is a bottom perspective view of a first embodiment of
my new design comprising a curved light fixture;
FIG. 2 is a rear perspective view of the curved light fixture of
FIG. 1;
FIG. 3 is a rear view of the curved light fixture of FIG. 1;
FIG. 4 is a front view of the curved light fixture of FIG. 1;
FIG. 5 is a left side view of the curved light fixture of FIG. 1;
FIG. 6 is a right side view of the curved light fixture of FIG.
1;
FIG. 7 is a top view of the curved light fixture of FIG. 1; and,
FIG. 8 is a bottom view of the curved light fixture of FIG. 1.
The broken lines illustrating portions of the light fixture form
no part of the claimed design.

1 Claim, 4 Drawing Sheets



(56)

References Cited

U.S. PATENT DOCUMENTS

D599,049 S 8/2009 Guercio
7,714,243 B2 5/2010 Birdwell
D621,986 S 8/2010 Yan
D622,886 S 8/2010 Zheng
D633,646 S * 3/2011 Marcaccio et al. D26/118
D636,515 S 4/2011 Wang
D641,097 S * 7/2011 Kocks D26/89
D642,319 S * 7/2011 Sprengers D26/85

D643,142 S * 8/2011 Kocks D26/90
D647,236 S 10/2011 Chang
D649,198 S * 11/2011 Mims D20/42
D656,267 S 3/2012 Laporte
D656,502 S * 3/2012 Cacioppo et al. D14/453
D670,022 S 10/2012 Green
D670,023 S * 10/2012 Green D26/128
D683,066 S * 5/2013 Myung D26/120
D688,403 S 8/2013 Landefeld
D708,388 S * 7/2014 Lee D26/120

* cited by examiner

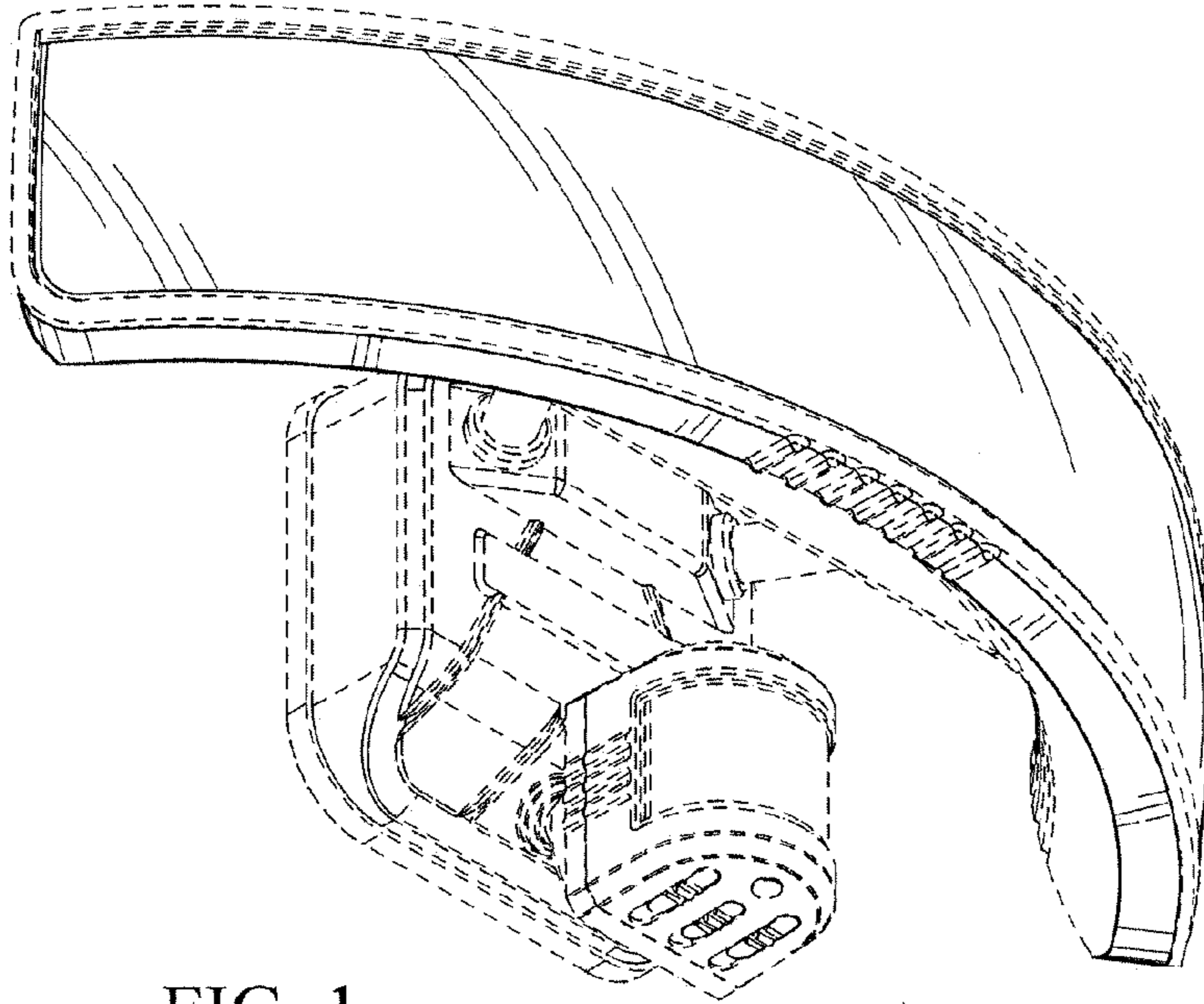


FIG. 1

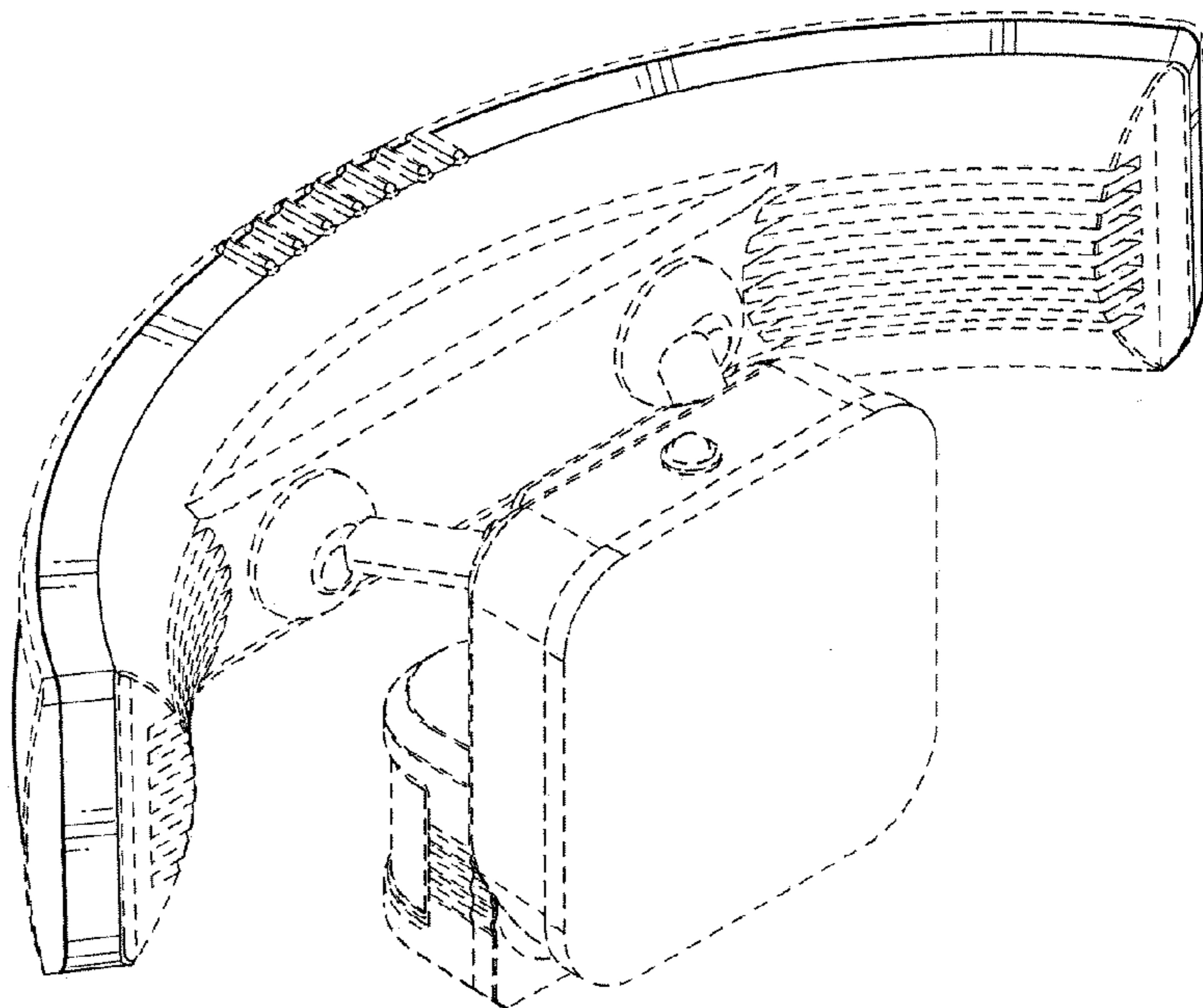


FIG. 2

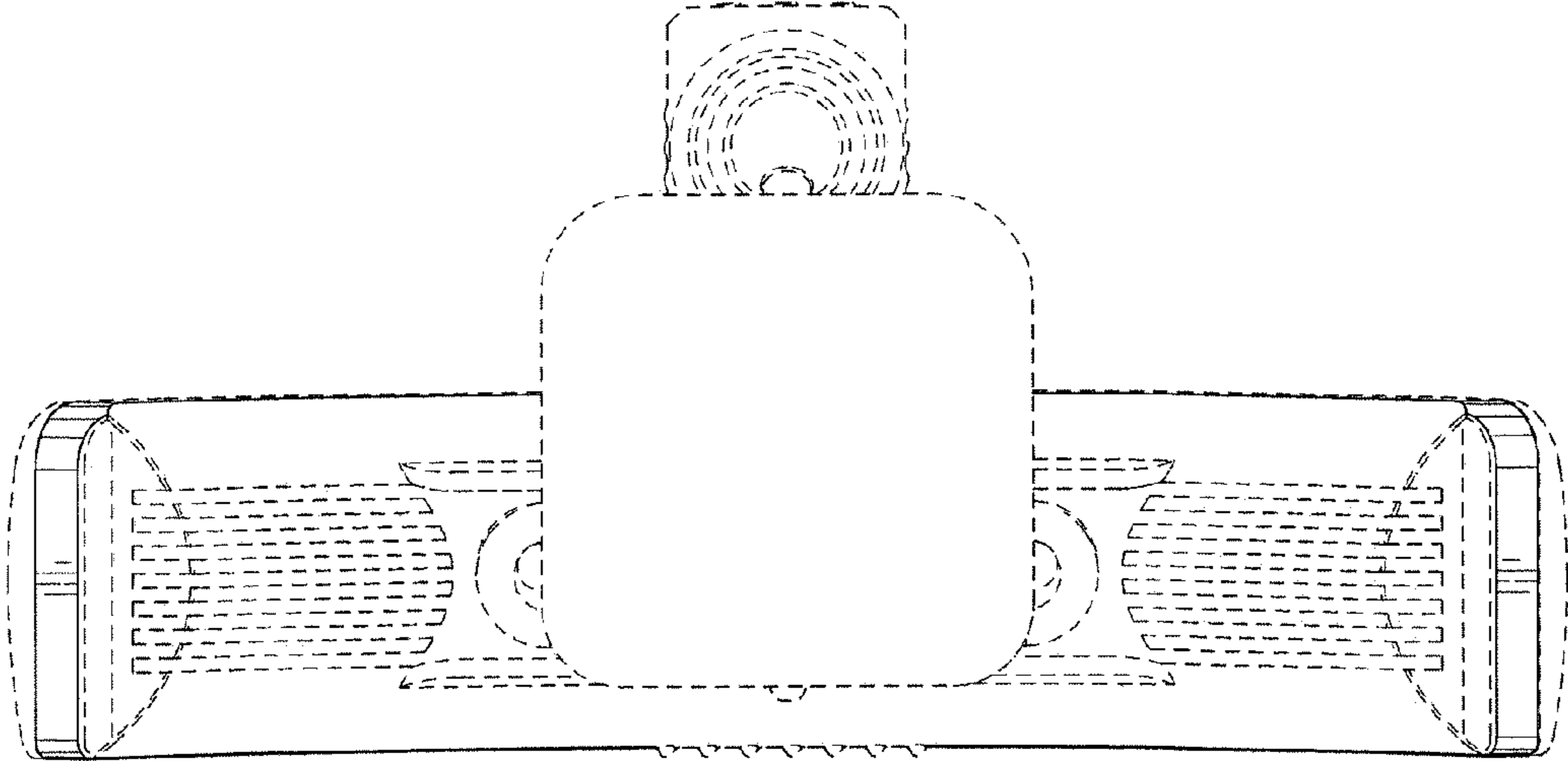


FIG. 3

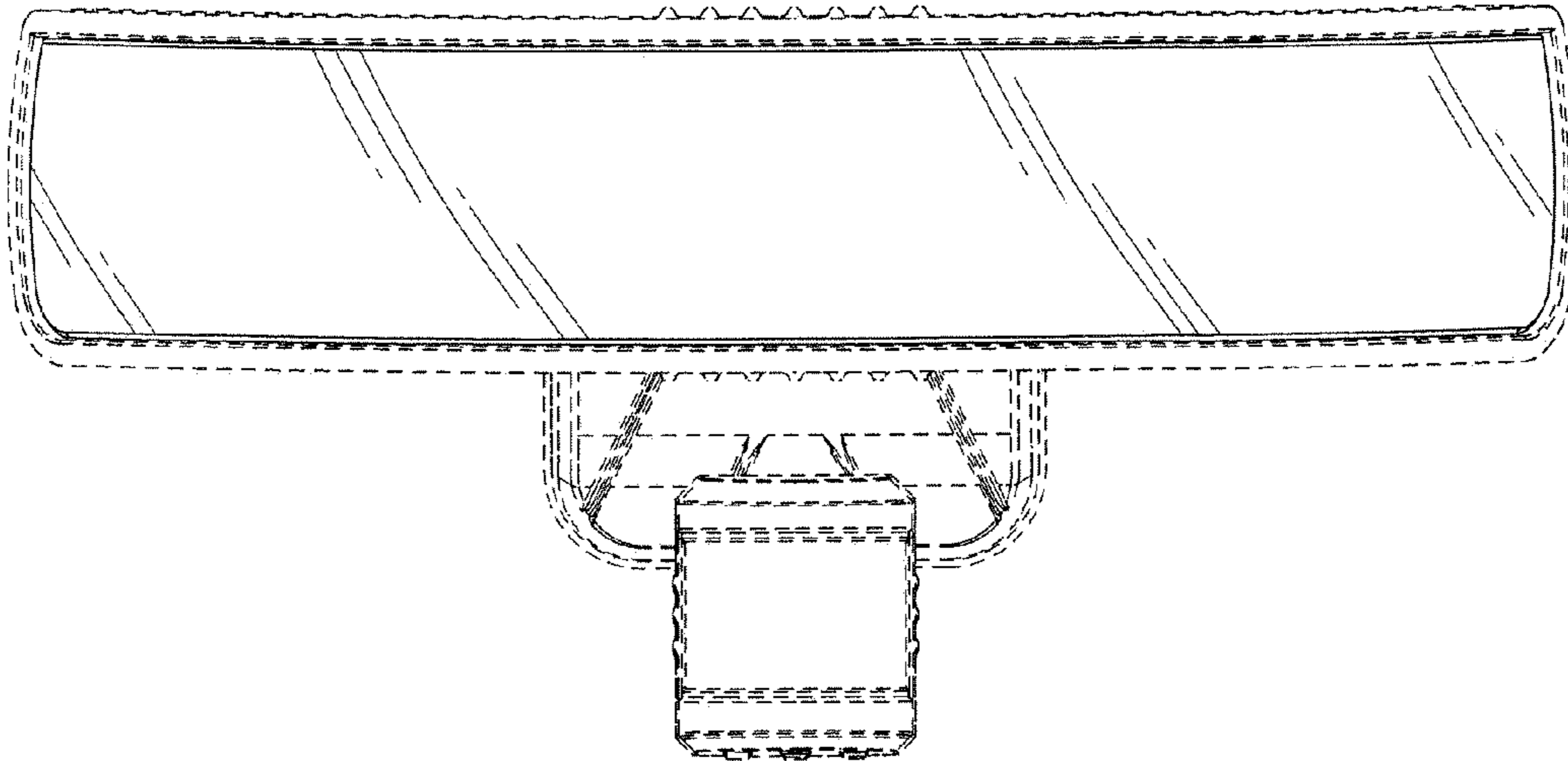


FIG. 4

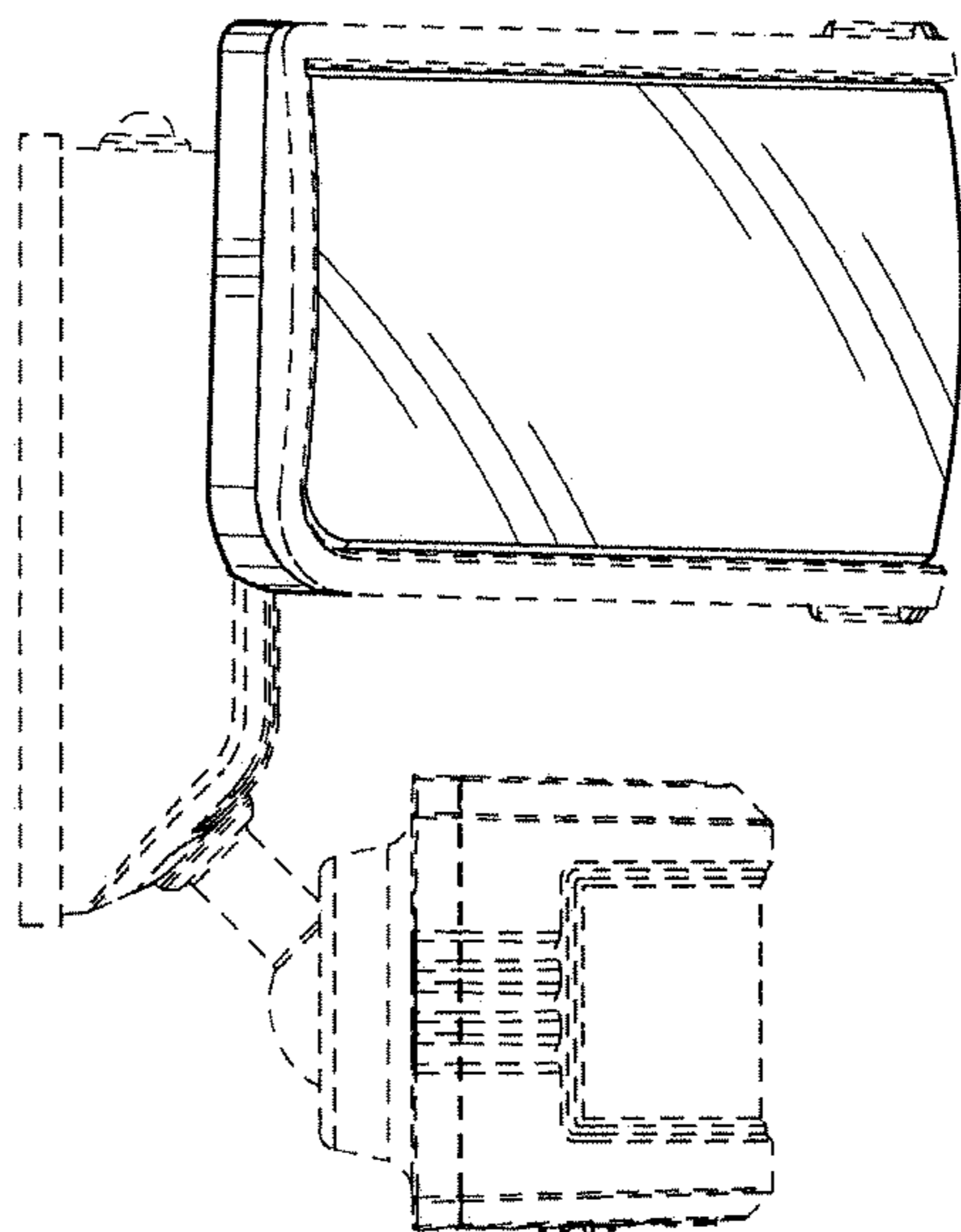


FIG. 5

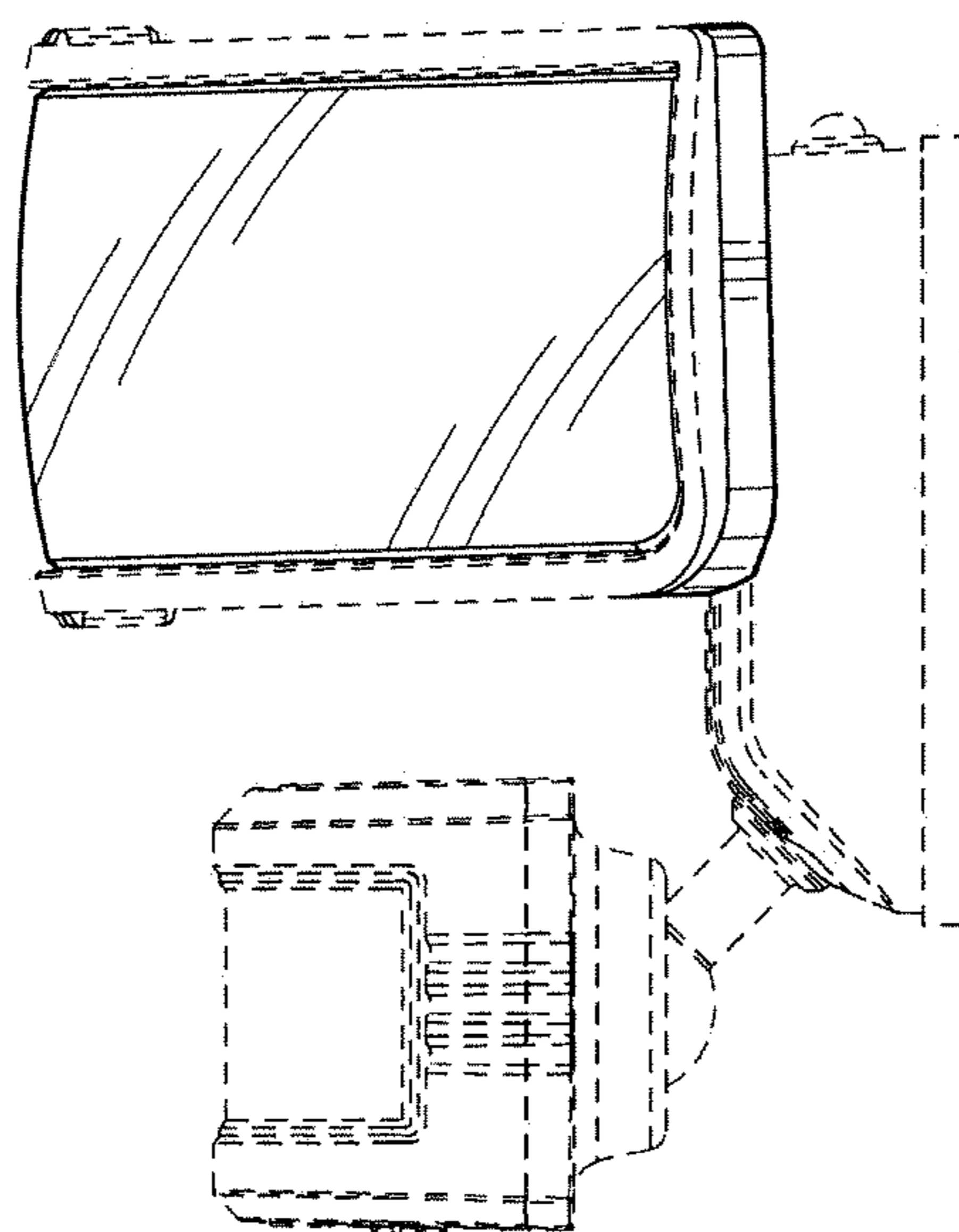


FIG. 6

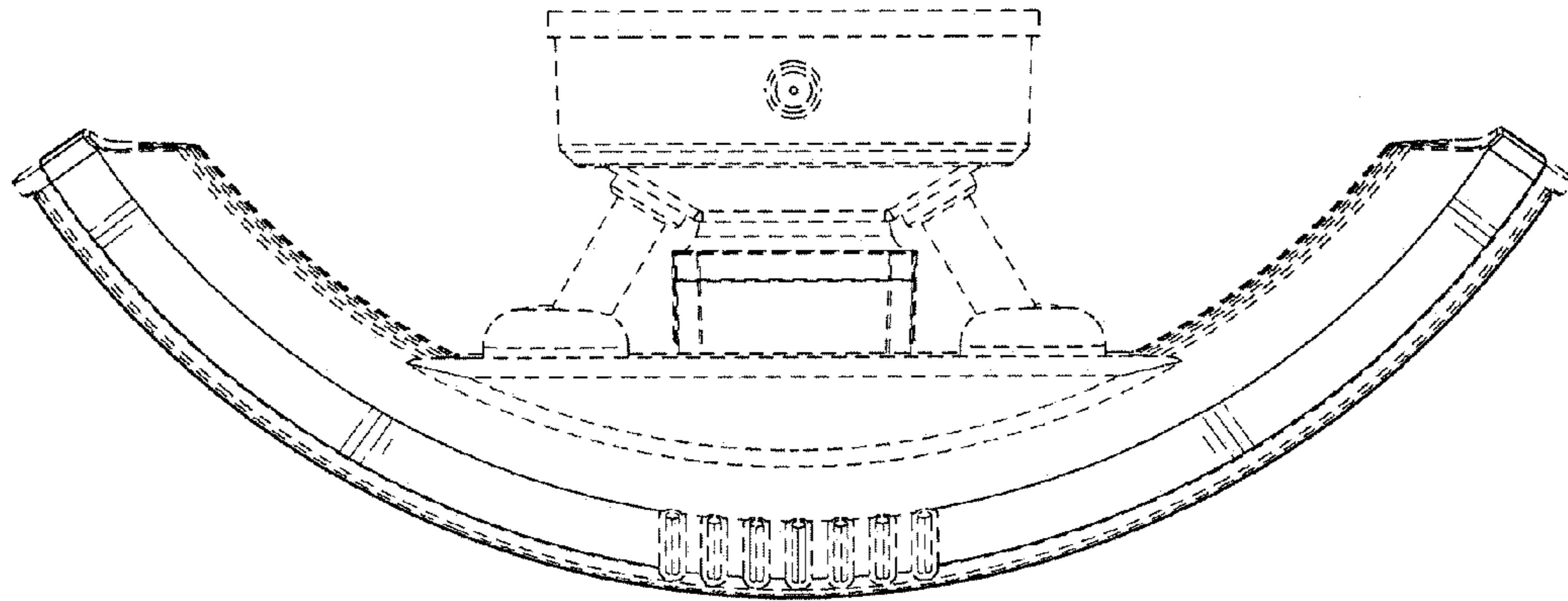


FIG. 7

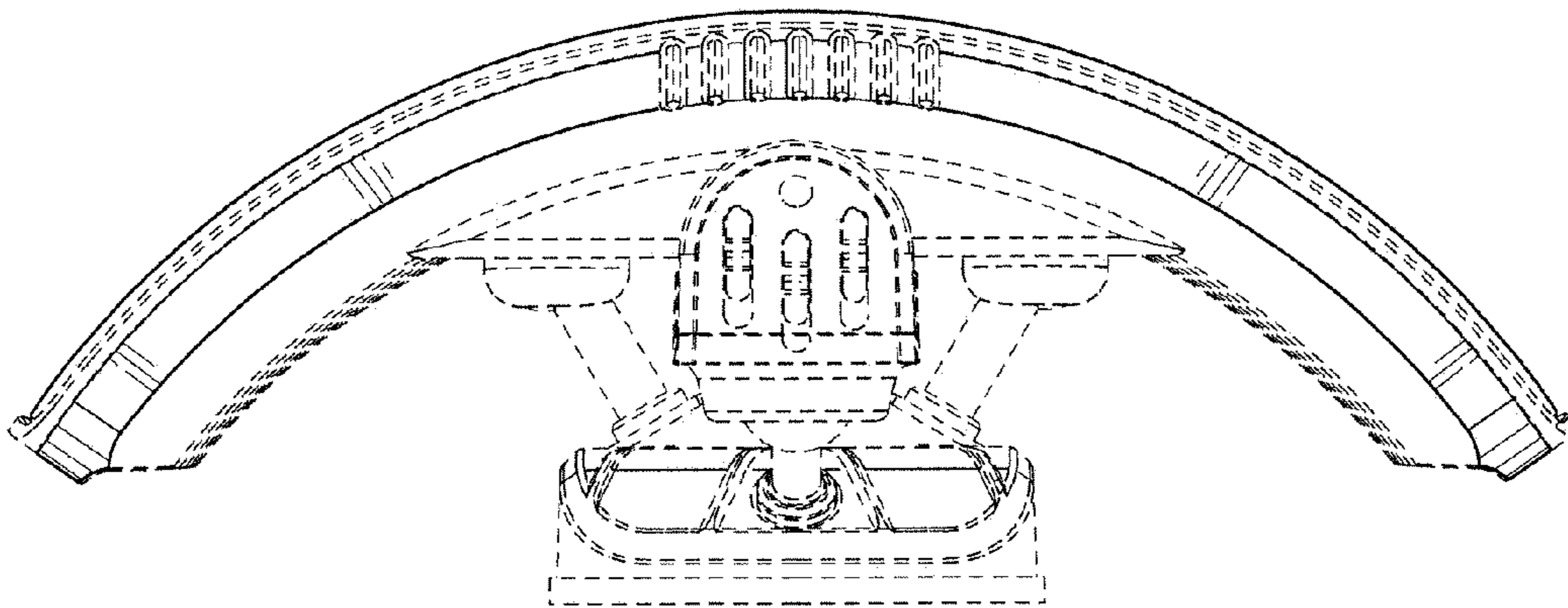


FIG. 8