



US00D735926S

(12) **United States Design Patent**
Holley et al.

(10) **Patent No.:** **US D735,926 S**

(45) **Date of Patent:** **** Aug. 4, 2015**

(54) **STRAIN RELIEF**

(71) Applicants: **Brandon Holley**, Brookline, MA (US);
Sarah Bazydola, Belmont, MA (US)

(72) Inventors: **Brandon Holley**, Brookline, MA (US);
Sarah Bazydola, Belmont, MA (US)

(73) Assignee: **OSRAM SYLVANIA Inc.**, Danvers,
MA (US)

(**) Term: **14 Years**

(21) Appl. No.: **29/453,387**

(22) Filed: **Apr. 29, 2013**

(51) **LOC (10) Cl.** **26-99**

(52) **U.S. Cl.**
USPC **D26/113; D8/70**

(58) **Field of Classification Search**
USPC D26/9, 10, 12, 13, 15, 16, 24, 51, 61,
D26/72, 76, 80, 81, 85, 86, 88, 90, 113, 118,
D26/119, 120, 122, 128, 129, 138, 143,
D26/144; D13/180; D10/18, 21, 24, 25, 27,
D10/28, 46, 93, 104.1, 113, 114, 116.1;
D17/99; D8/70
CPC B60Q 1/04; B60Q 1/26; F21S 8/026;
F21S 8/04; F21V 29/004; F21V 21/02;
F21V 21/04; F21V 29/2212; F21V 15/02;
F21V 15/04; F21V 17/00; F21V 17/10;
F21V 17/16; F21V 17/108; F21Y 2101/02;
H01R 13/6392

See application file for complete search history.

(56) **References Cited**

U.S. PATENT DOCUMENTS

1,665,095 A * 4/1928 Henry 439/372
D130,269 S * 11/1941 Magnenat D13/134

(Continued)

OTHER PUBLICATIONS

Pancon Connectors SCC100E-3-D Strain Relief Cover, image post
date Mar. 11, 1986, site visited Jun. 10, 2015, (online), <[http://www.](http://www.newark.com/pancon-connectors/scc100f-3-d/strain-relief-cover-3way/dp/36B7205)

[newark.com/pancon-connectors/scc100f-3-d/strain-relief-cover-3way/dp/36B7205](http://www.newark.com/pancon-connectors/scc100f-3-d/strain-relief-cover-3way/dp/36B7205).*

(Continued)

Primary Examiner — Kevin Rudzinski

Assistant Examiner — Sean D Lough

(74) *Attorney, Agent, or Firm* — Shaun P. Montana

(57) **CLAIM**

The ornamental design for a strain relief, as shown and described. **DESCRIPTION**

FIG. 1 is a perspective view of the first embodiment of the ornamental design for the strain relief;

FIG. 2 is a front view of the first embodiment of the ornamental design for the strain relief;

FIG. 3 is a side view of the first embodiment of the ornamental design for the strain relief;

FIG. 4 is a rear view of the first embodiment of the ornamental design for the strain relief;

FIG. 5 is a top view of the first embodiment of the ornamental design for the strain relief;

FIG. 6 is a bottom view of the first embodiment of the ornamental design for the strain relief;

FIG. 7 is a perspective view of the first embodiment of the ornamental design for the strain relief shown in unclaimed environment;

FIG. 8 is a perspective view of the second embodiment of the ornamental design for the strain relief;

FIG. 9 is a front view of the second embodiment of the ornamental design for the strain relief;

FIG. 10 is a side view of the second embodiment of the ornamental design for the strain relief;

FIG. 11 is a rear view of the second embodiment of the ornamental design for the strain relief;

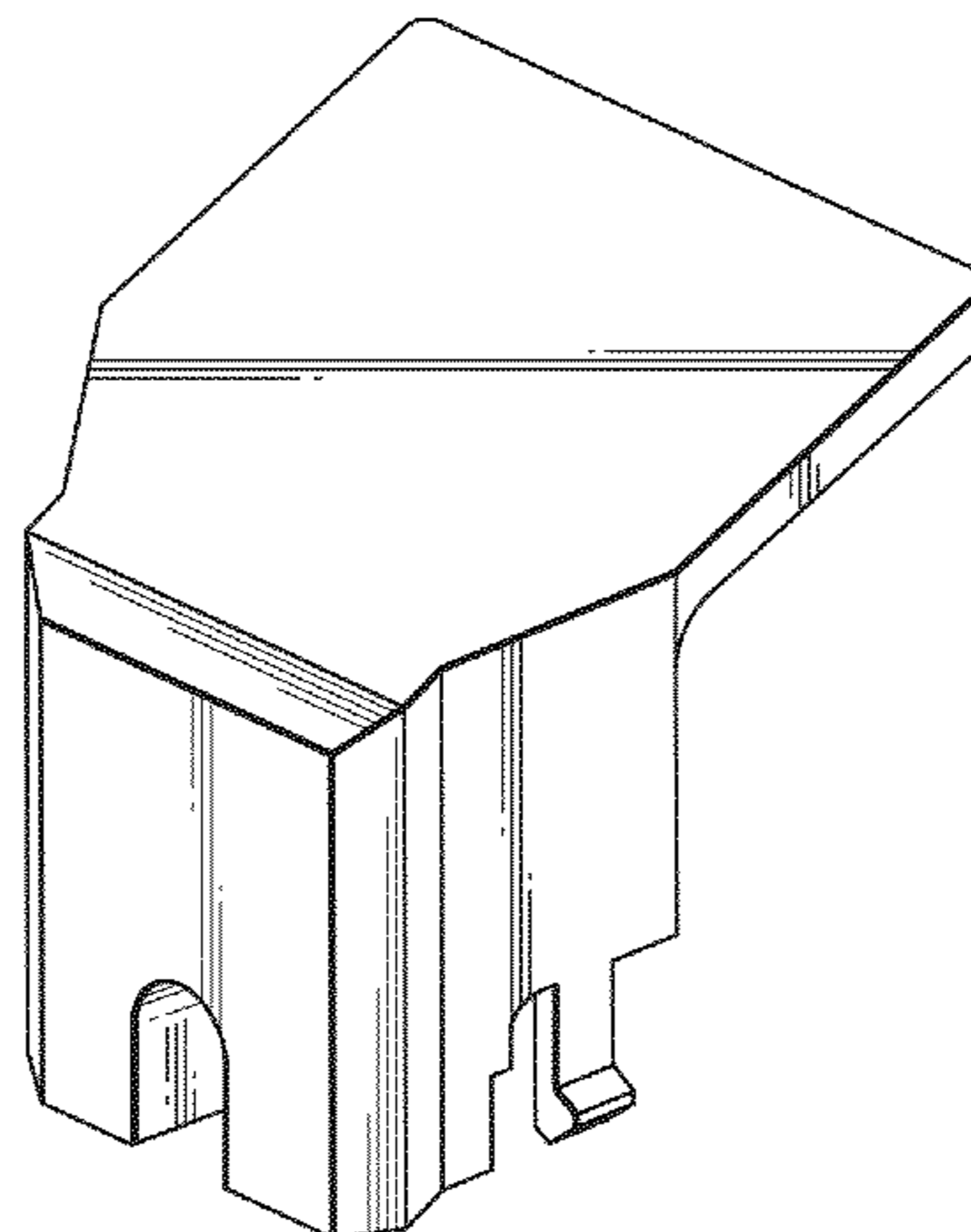
FIG. 12 is a top view of the second embodiment of the ornamental design for the strain relief;

FIG. 13 is a bottom view of the second embodiment of the ornamental design for the strain relief; and,

FIG. 14 is a perspective view of the first embodiment of the ornamental design for the strain relief shown in unclaimed environment.

The broken lines shown in FIGS. 7 and 14 illustrate environment only and form no part of the claimed design.

1 Claim, 8 Drawing Sheets



(56)

References Cited

U.S. PATENT DOCUMENTS

D136,783 S * 12/1943 La Veck D8/358
 3,263,071 A * 7/1966 Fabbri 362/355
 4,074,976 A * 2/1978 Gower et al. 422/550
 4,990,075 A * 2/1991 Wogoman 422/417
 D319,171 S * 8/1991 McCord, Jr. D8/70
 D335,348 S * 5/1993 Frenkel et al. D24/224
 D335,371 S * 5/1993 Meade D32/60
 5,399,316 A * 3/1995 Yamada 422/412
 D362,656 S * 9/1995 Roos et al. D13/134
 D366,606 S * 1/1996 Nakamura D8/356
 D373,518 S * 9/1996 Multala D8/70
 D383,380 S * 9/1997 Kempf et al. D8/395
 5,888,826 A * 3/1999 Ostgaard et al. 436/69
 5,924,889 A * 7/1999 Wang 439/490
 6,056,580 A * 5/2000 Cross et al. 439/369
 6,080,004 A * 6/2000 Kovacik et al. 439/369
 6,158,928 A * 12/2000 Hecht 407/102
 D456,082 S * 4/2002 Bouse et al. D24/223
 D456,938 S * 5/2002 Wardenburg D26/118
 D470,684 S * 2/2003 Beauregard D6/683
 D481,133 S * 10/2003 Blouin et al. D24/224
 D493,251 S * 7/2004 Yu et al. D26/122
 D499,834 S * 12/2004 Yu et al. D26/118
 D510,067 S * 9/2005 Miller D13/137.4
 7,294,312 B2 * 11/2007 Green et al. 422/561
 D562,268 S * 2/2008 Lee et al. D13/180
 D569,344 S * 5/2008 Kawasaki D13/135
 7,615,191 B2 * 11/2009 Buechler 422/412
 D610,100 S * 2/2010 Chang et al. D13/180

D611,008 S * 3/2010 Hsieh D13/180
 D623,502 S * 9/2010 Blonder D8/356
 D631,553 S * 1/2011 Niedbala et al. D24/223
 D635,598 S * 4/2011 Widin et al. D15/139
 7,981,056 B2 * 7/2011 Briggs et al. 600/583
 D647,928 S * 11/2011 MacLennan et al. D15/139
 8,053,226 B2 * 11/2011 Schwind et al. 435/287.2
 D655,702 S * 3/2012 Saxton D14/253
 8,158,410 B2 * 4/2012 Tang et al. 435/288.5
 D660,999 S * 5/2012 Welch D26/26
 8,343,440 B2 * 1/2013 Yoshioka 422/502
 D686,311 S * 7/2013 Mori D24/108
 8,709,792 B2 * 4/2014 Saul et al. 435/287.7
 D706,322 S * 6/2014 Monttinen et al. D15/139
 8,840,418 B2 * 9/2014 Chien 439/346
 D725,819 S * 3/2015 Reynolds D26/118
 D728,480 S * 5/2015 Chang et al. D13/134

OTHER PUBLICATIONS

Pancon Connectors SCC100E-3-D Strain Relief Cover spec, image post date Mar. 11, 1986, site visited Jun. 10, 2015, (online), <<http://www.farnell.com/cad/1897904.pdf>>.*
 Hood Light Housing Assembly, image post date May 16, 2015, site visited Jun. 9, 2015, (online), <<http://web.archive.org/web/20150516010836/http://www.hoodfilters.com/hood-light-housing-assembly.html>>.*
 Self-Locking Bushing, image post date Jan. 20, 2006, site visited Jun. 10, 2015, (online), <<http://news.thomasnet.com/fullstory/self-locking-bushings-offer-wire-and-cable-strain-relief-473112>>.*

* cited by examiner

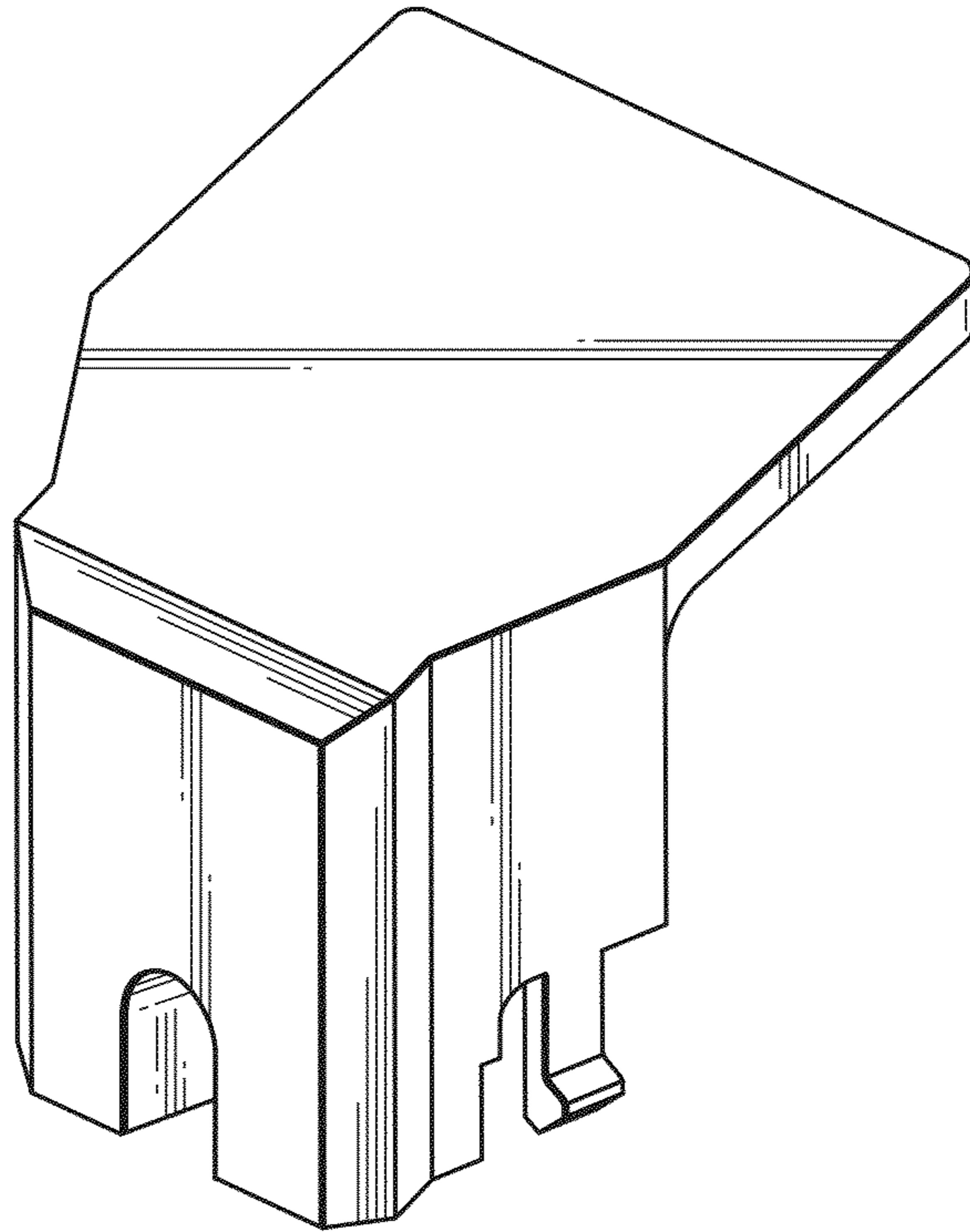


FIG. 1

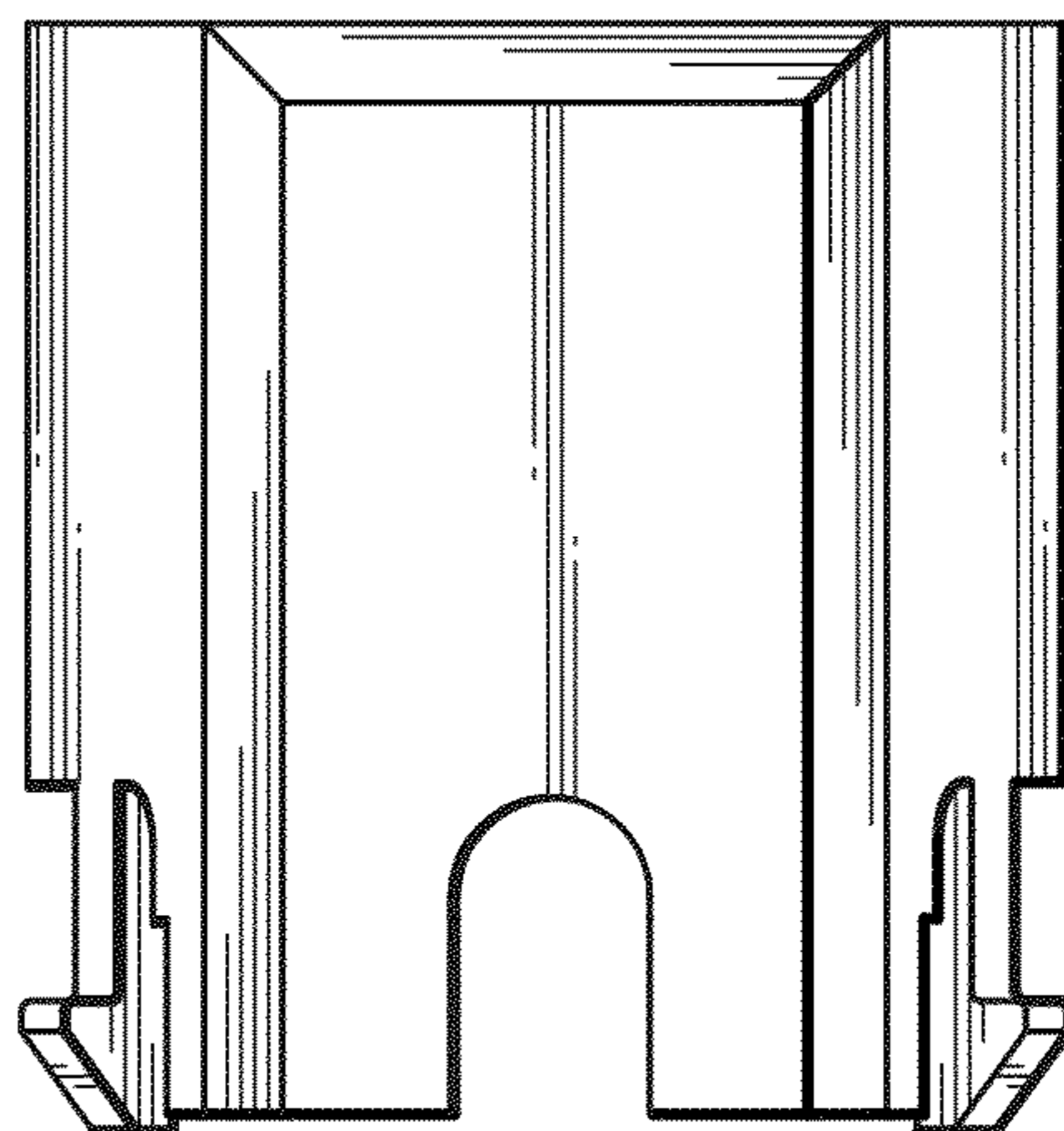


FIG. 2

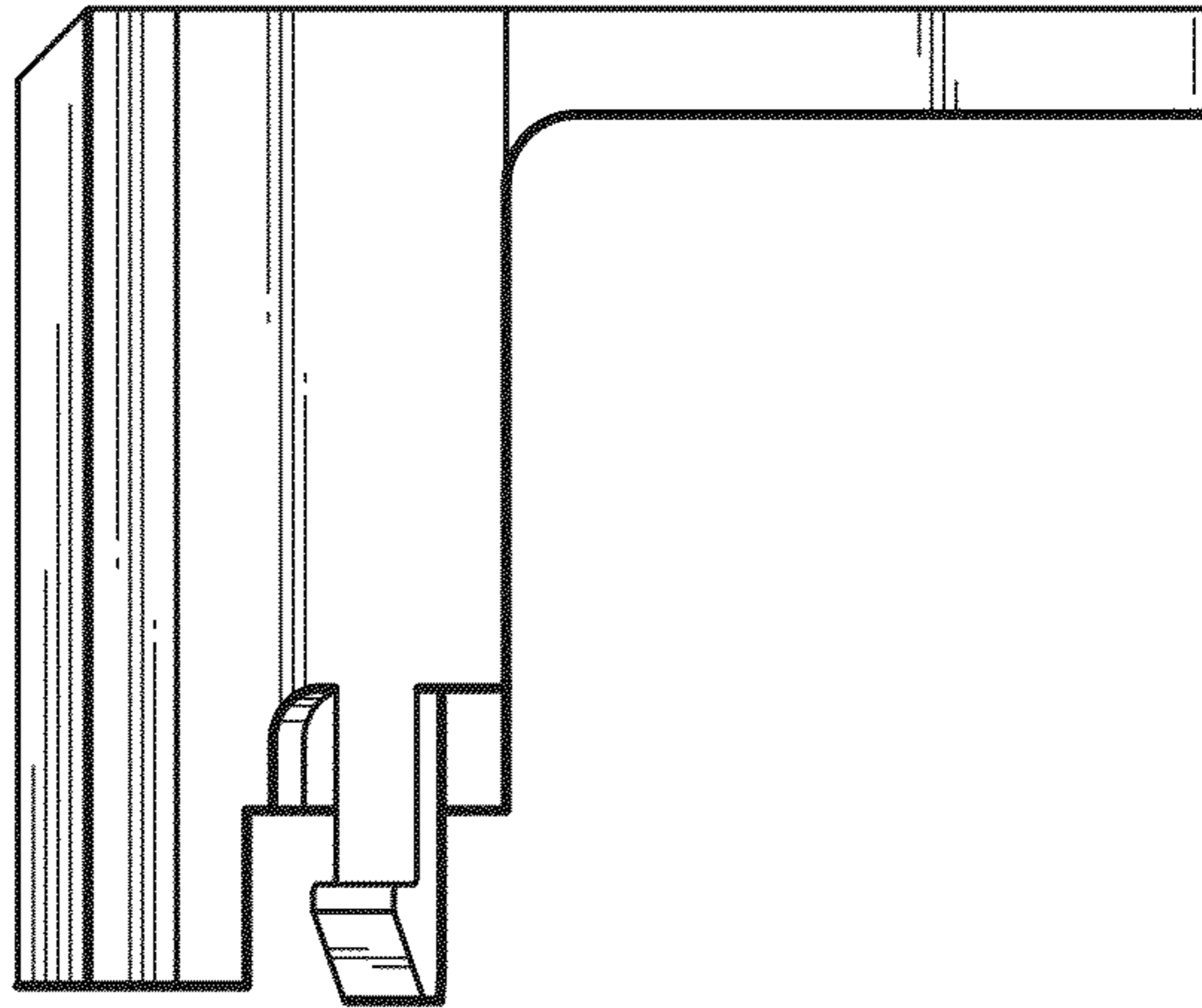


FIG. 3

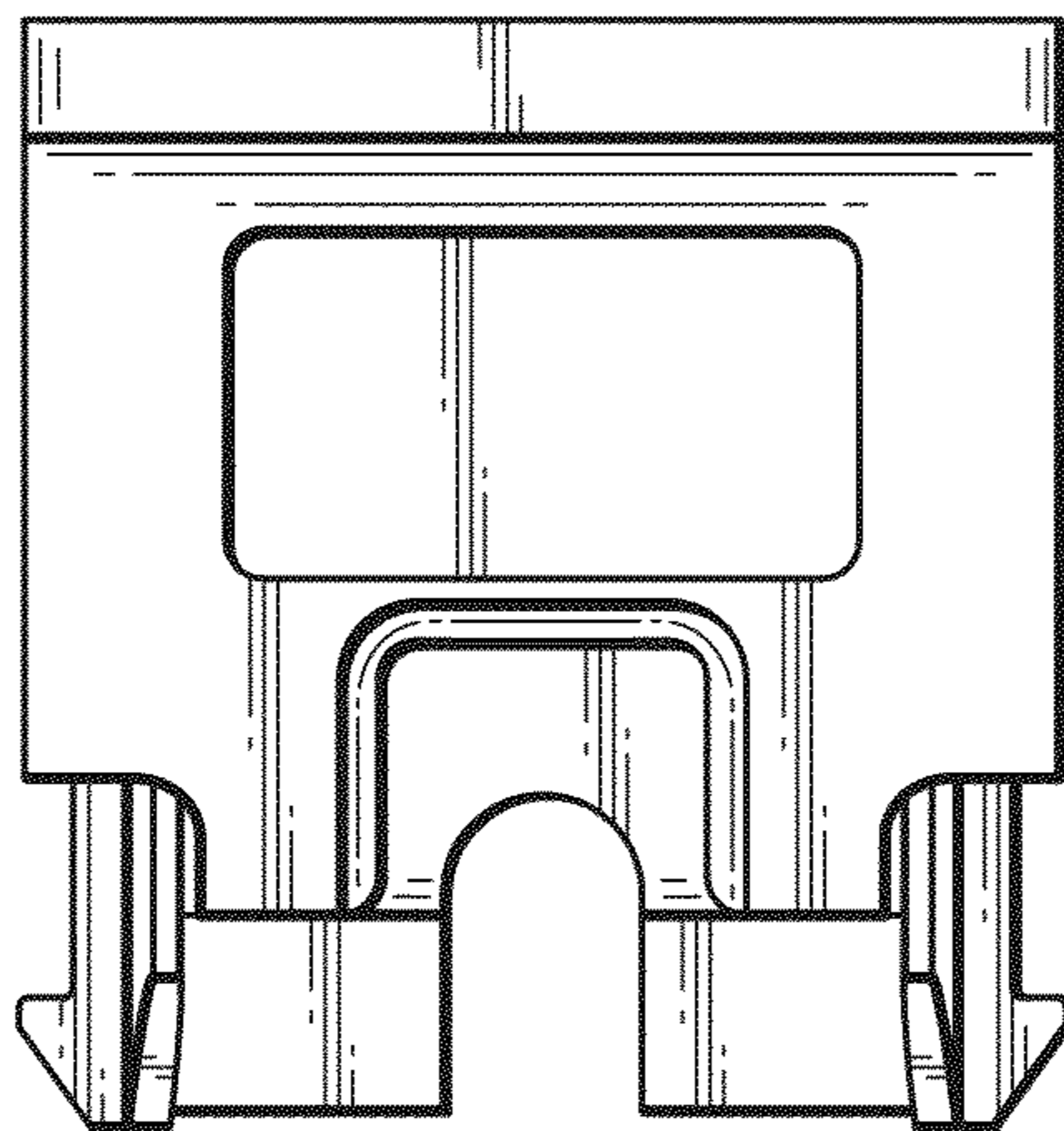


FIG. 4

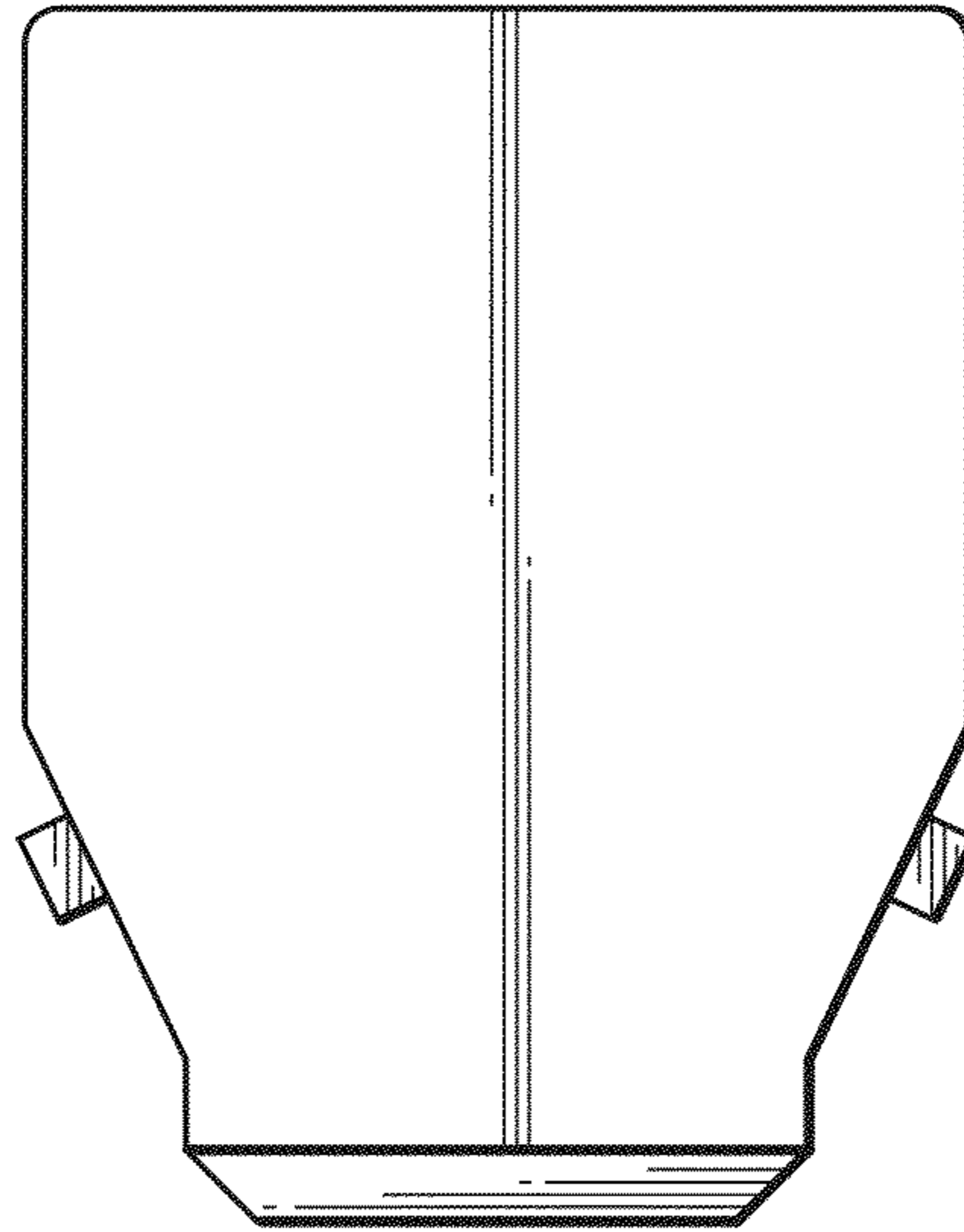


FIG. 5

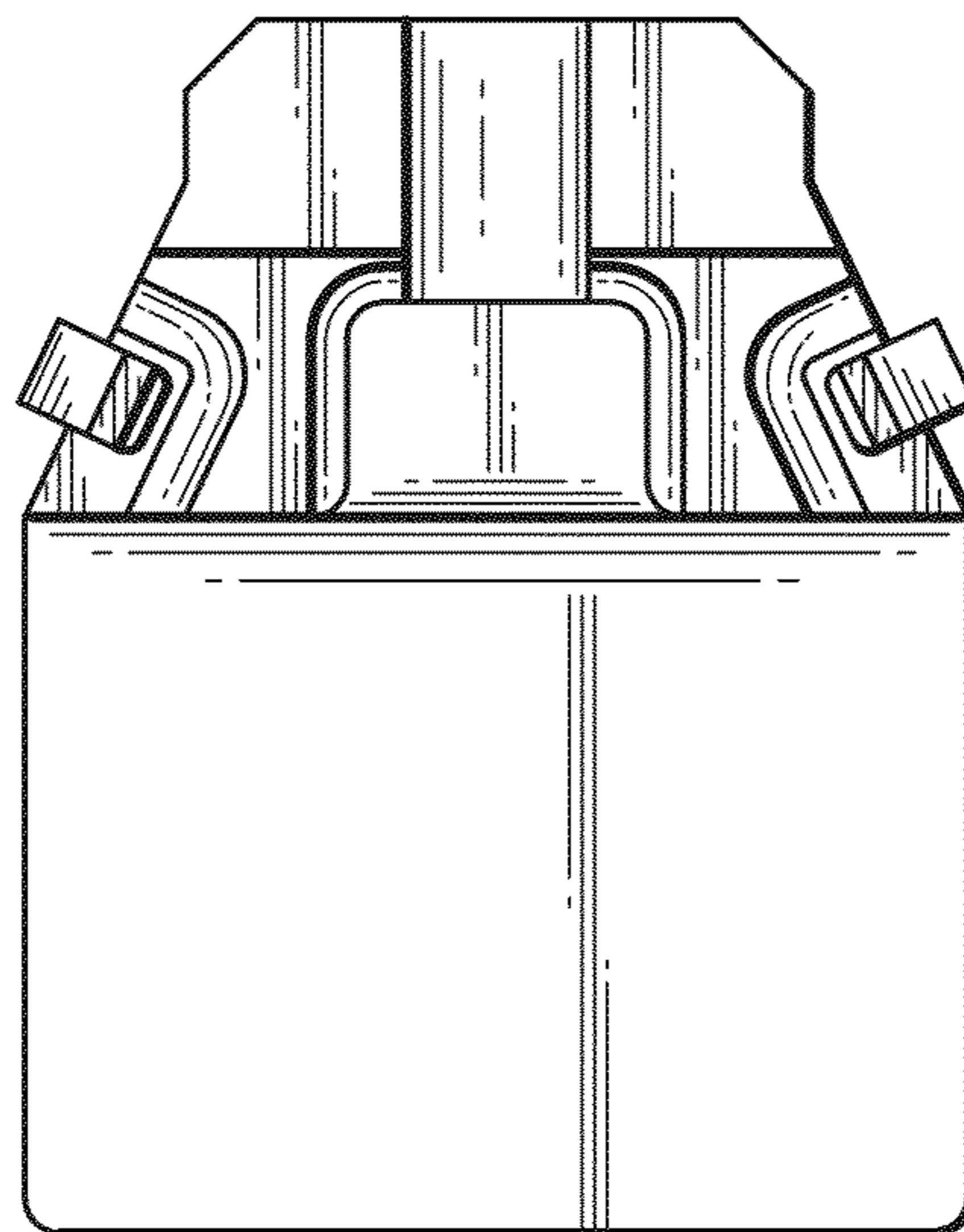


FIG. 6

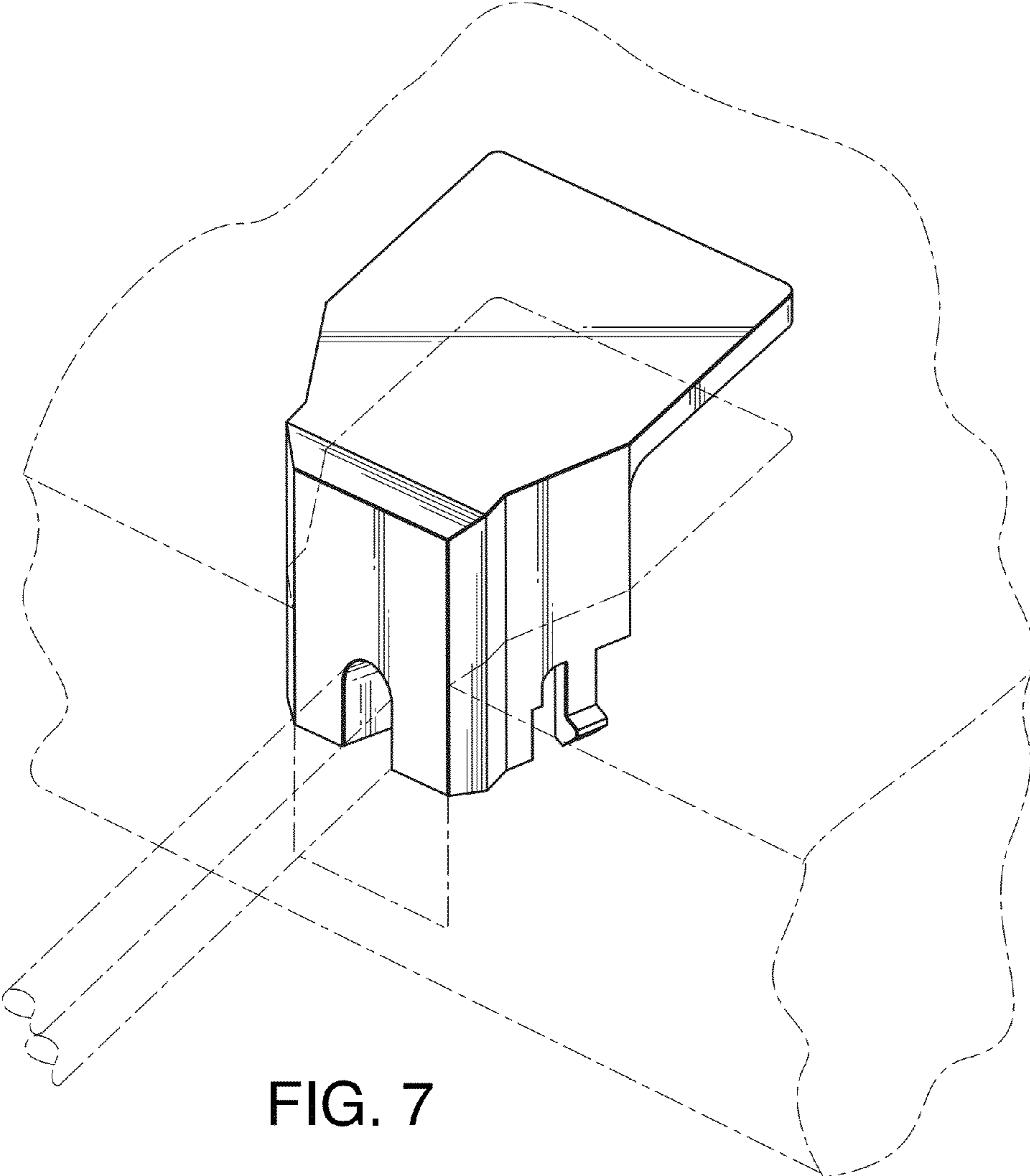


FIG. 7

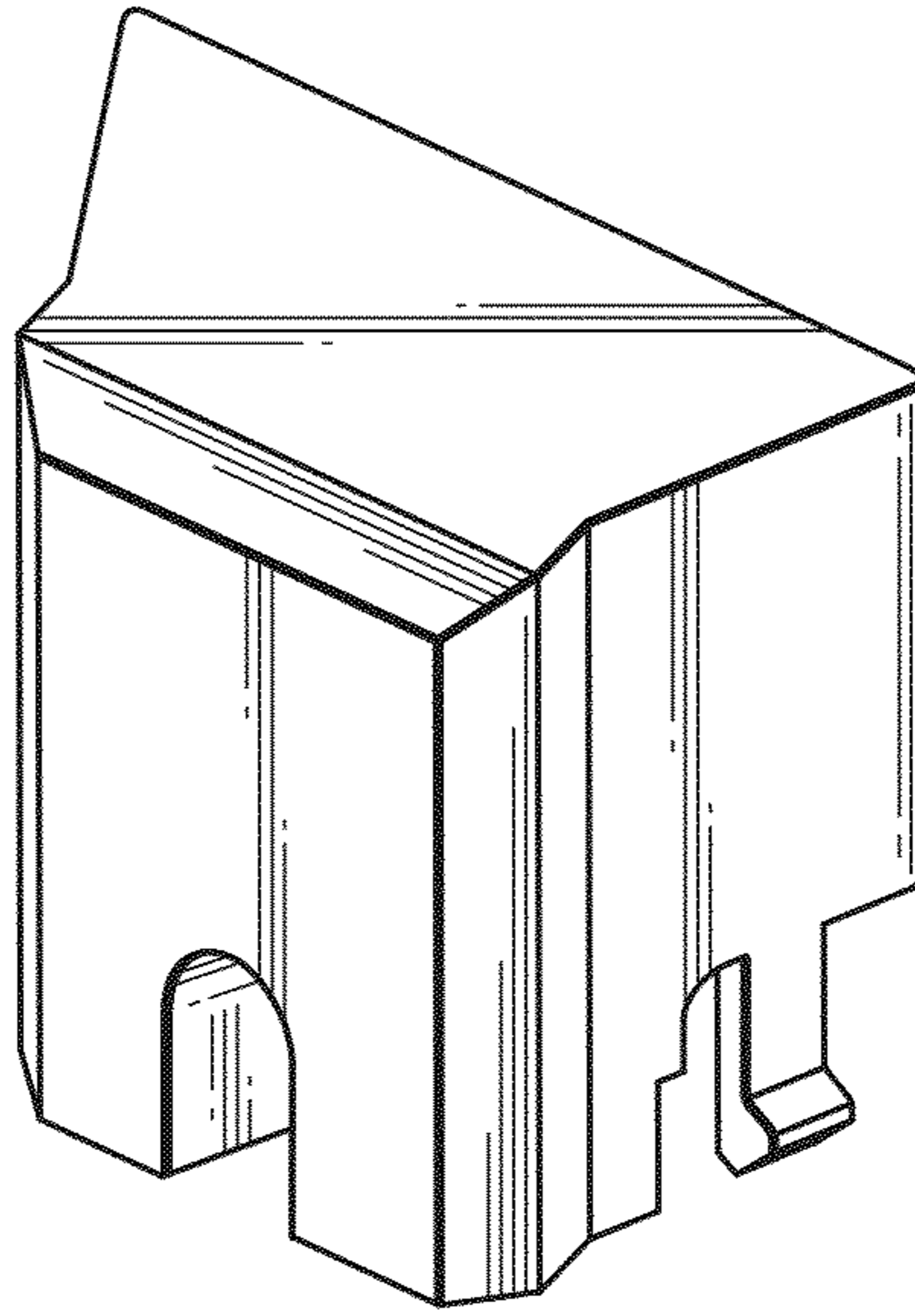


FIG. 8

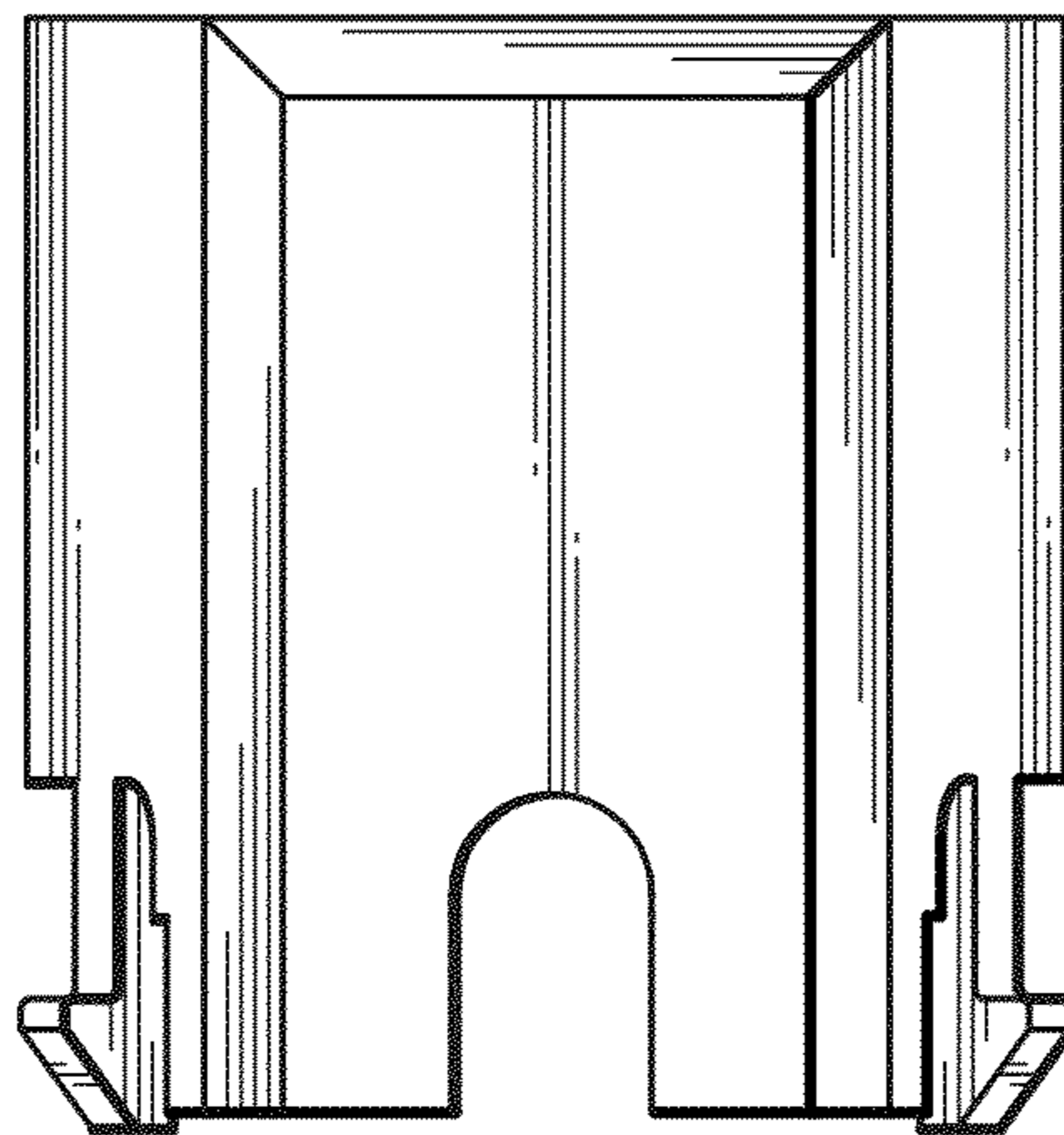


FIG. 9

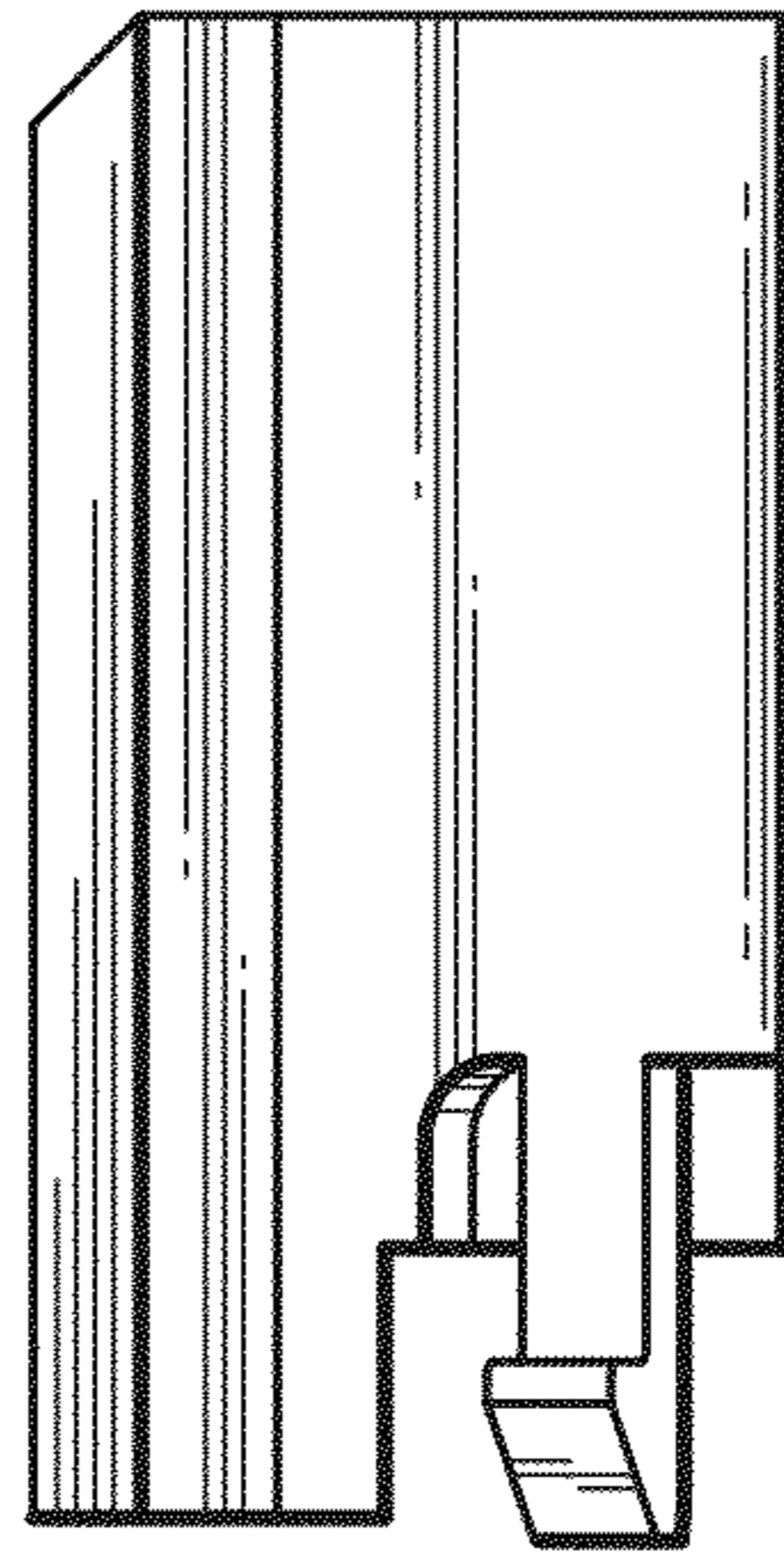


FIG. 10

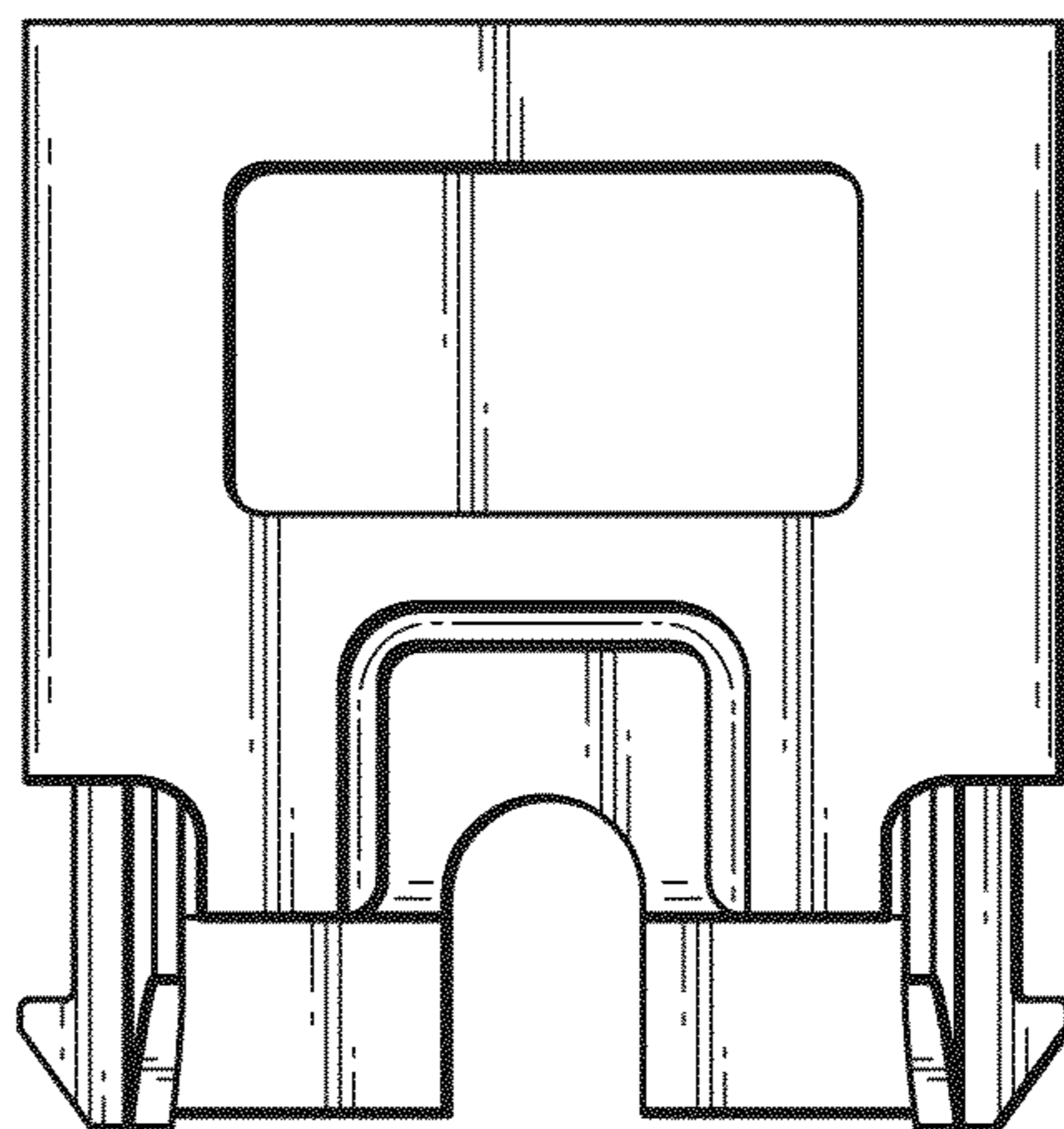


FIG. 11

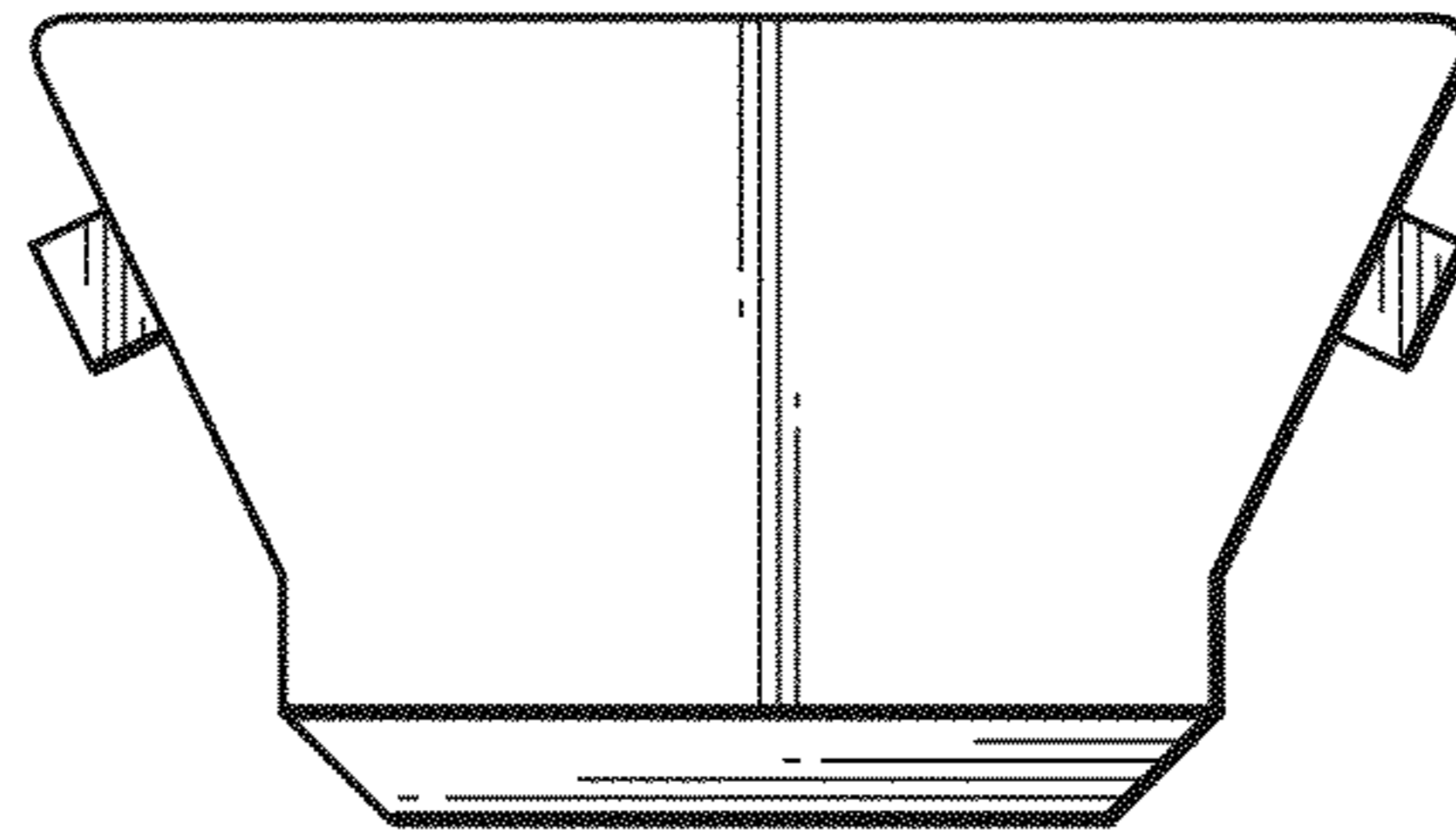


FIG. 12

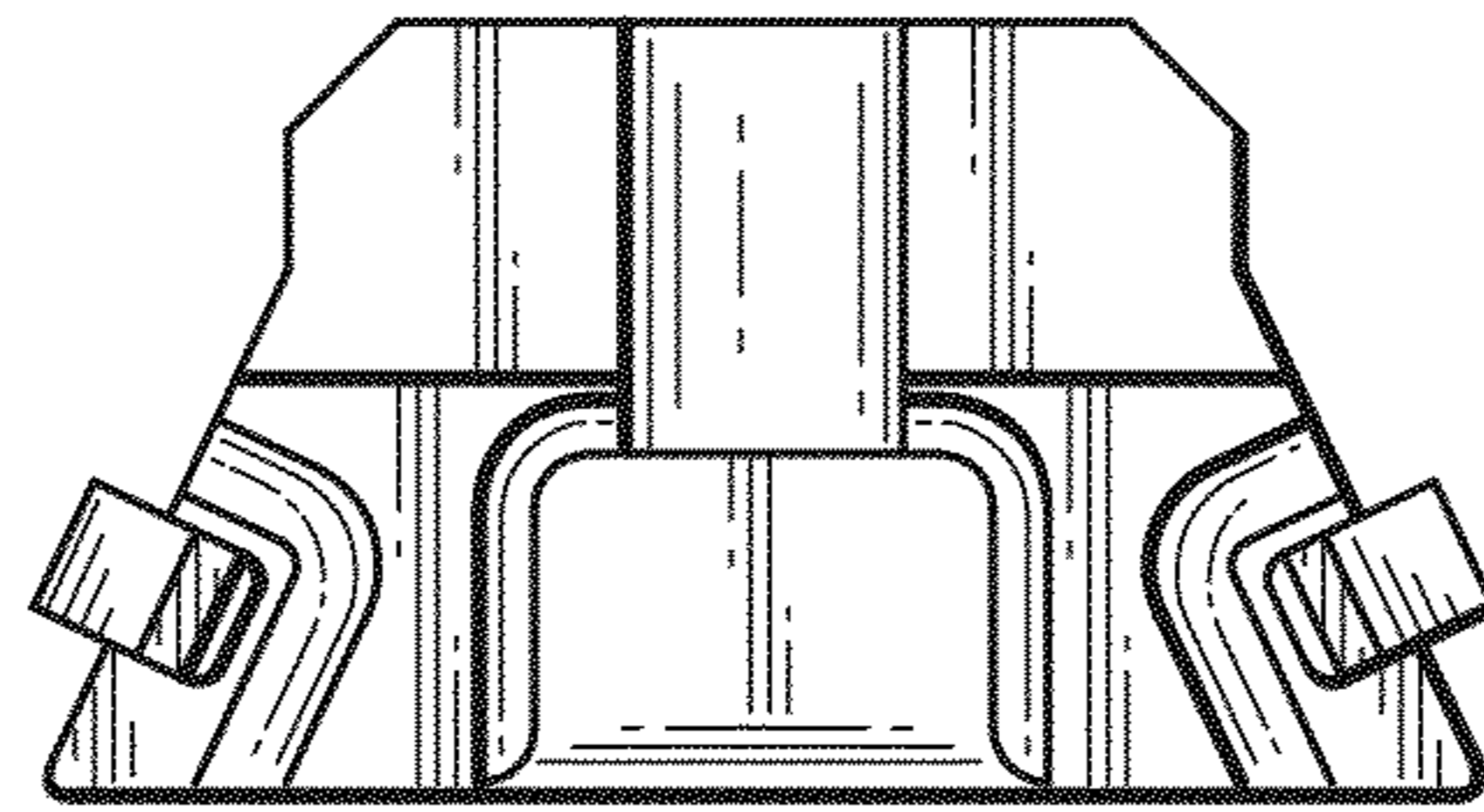


FIG. 13

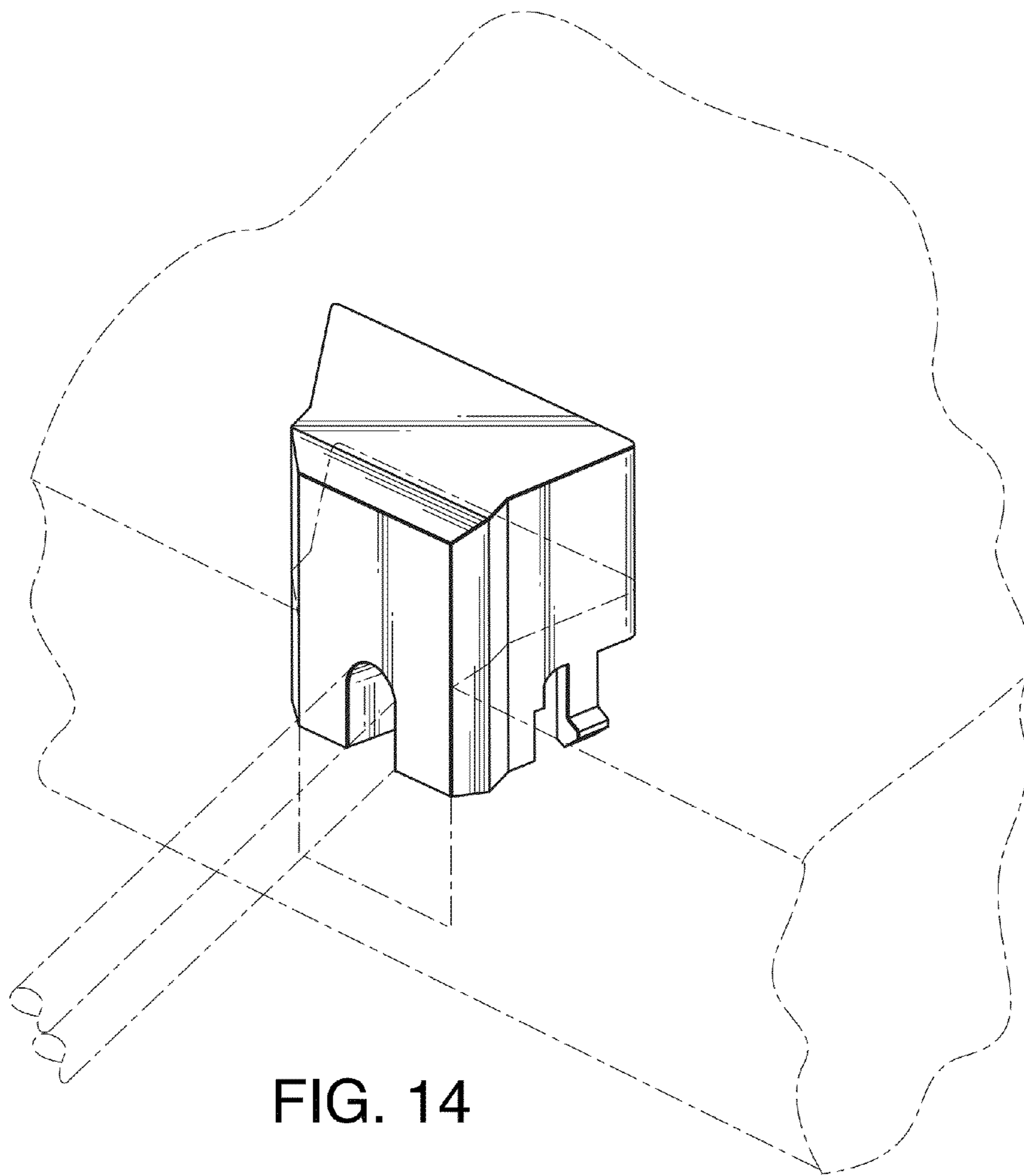


FIG. 14