



US00D735924S

(12) **United States Design Patent**
Boyer et al.

(10) **Patent No.:** **US D735,924 S**

(45) **Date of Patent:** **** Aug. 4, 2015**

(54) **LIGHTING FIXTURE**

(71) Applicant: **LSI Industries, Inc.**, Cincinnati, OH (US)

(72) Inventors: **John D. Boyer**, Lebanon, OH (US);
Larry Akers, Clarksville, OH (US)

(73) Assignee: **LSI Industries, Inc.**, Cincinnati, OH (US)

(**) Term: **14 Years**

(21) Appl. No.: **29/491,293**

(22) Filed: **May 20, 2014**

(51) **LOC (10) Cl.** **26-03**

(52) **U.S. Cl.**
USPC **D26/89**

(58) **Field of Classification Search**
USPC D26/80-92, 118; 362/147, 404-408
CPC F21W 2121/00; F21S 8/00; F21S 4/00
See application file for complete search history.

(56) **References Cited**

U.S. PATENT DOCUMENTS

D119,203 S *	2/1940	Krueger	D26/88
D169,972 S *	7/1953	Glatthar	D26/89
D170,084 S *	7/1953	Glatthar	D26/89
D208,719 S *	9/1967	de Vos	D26/67
D229,090 S *	11/1973	Anderson, Jr.	D26/85

D240,320 S *	6/1976	Anderson, Jr.	D26/85
D294,871 S *	3/1988	Ewing et al.	D26/85
D326,734 S *	6/1992	Rizzi et al.	D26/112
D332,840 S *	1/1993	Cohon	D26/93
D343,244 S *	1/1994	Belisle	D26/85
6,367,945 B2 *	4/2002	Quiogue et al.	362/147
D642,722 S *	8/2011	Oberpriller	D26/67
D727,549 S *	4/2015	Wang	D26/85

* cited by examiner

Primary Examiner — Clare E Heflin

(74) *Attorney, Agent, or Firm* — McDermott Will & Emery LLP

(57) **CLAIM**

The ornamental design for a lighting fixture, as shown and described.

DESCRIPTION

FIG. 1 is a bottom-side perspective view of the design of the present disclosure;

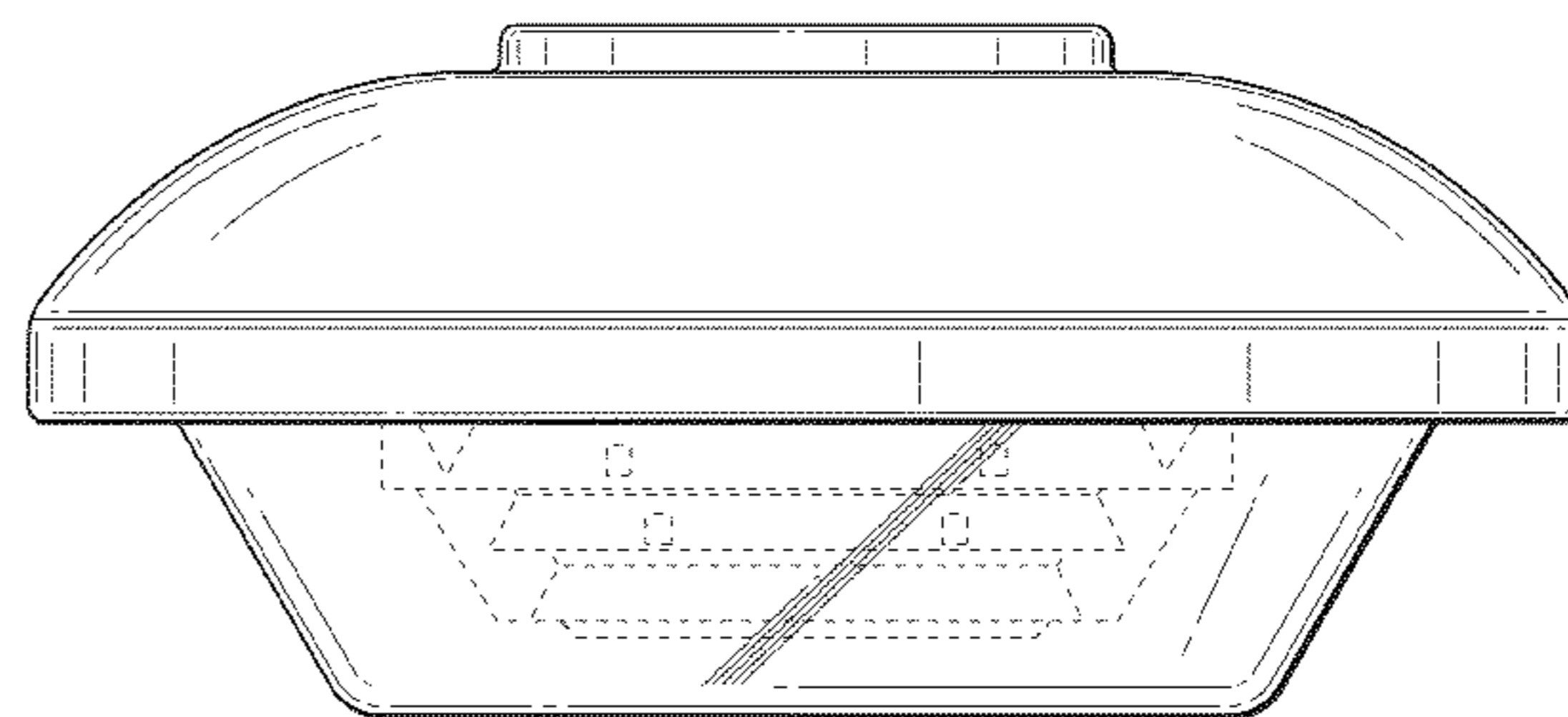
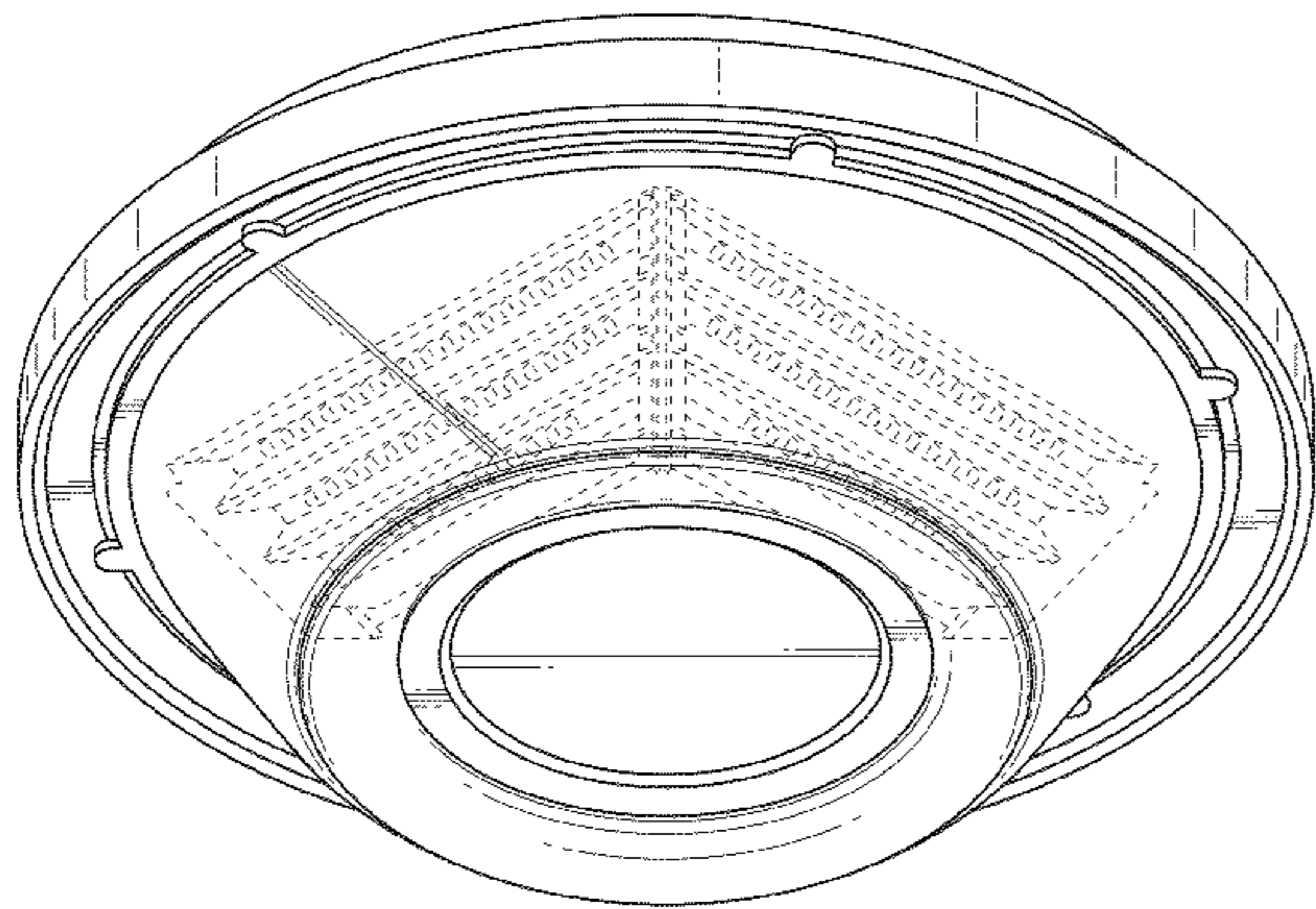
FIG. 2 is a left-side view of the design of FIG. 1, the right-side view, front view and rear view being the same;

FIG. 3 is a bottom view of the design of FIG. 1; and,

FIG. 4 is a top view of the design of FIG. 1.

Those portions of the present invention which are presented in phantom illustrate the environment of the design only and form no part of the claimed design. Moreover, any shading presented in the accompanying drawings is provided merely to highlight the contour of the invention and is not intended to be illustrative of texture or gloss.

1 Claim, 4 Drawing Sheets



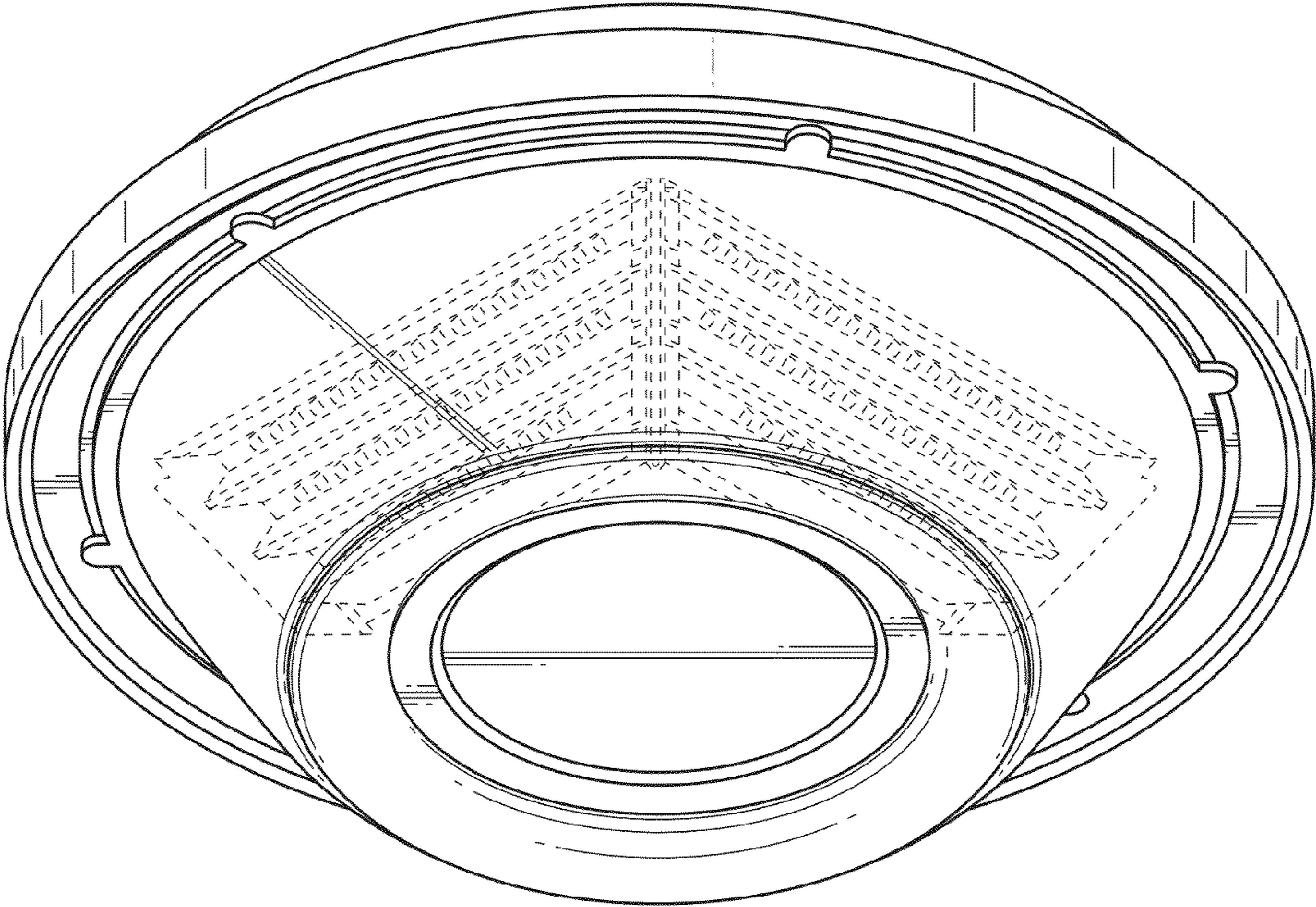


FIG. 1

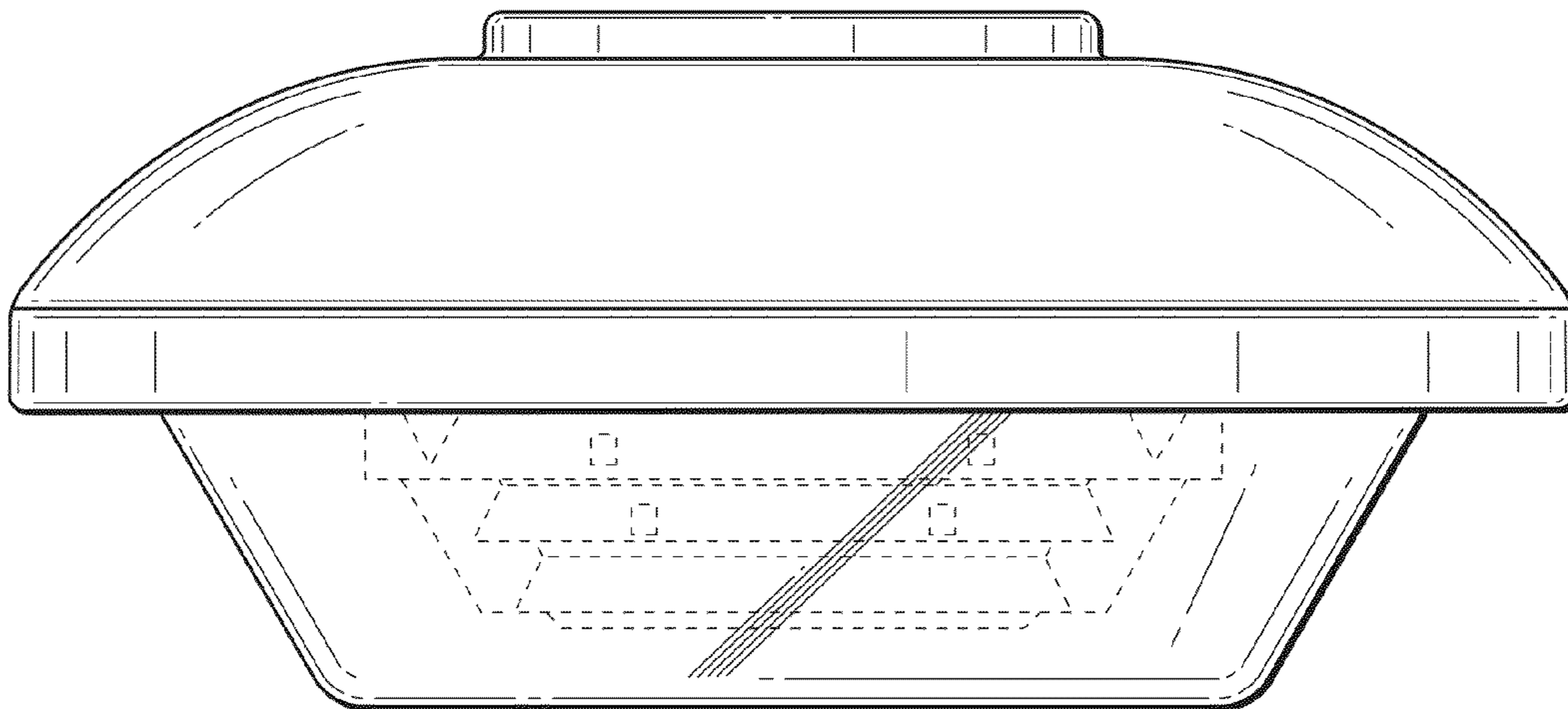


FIG. 2

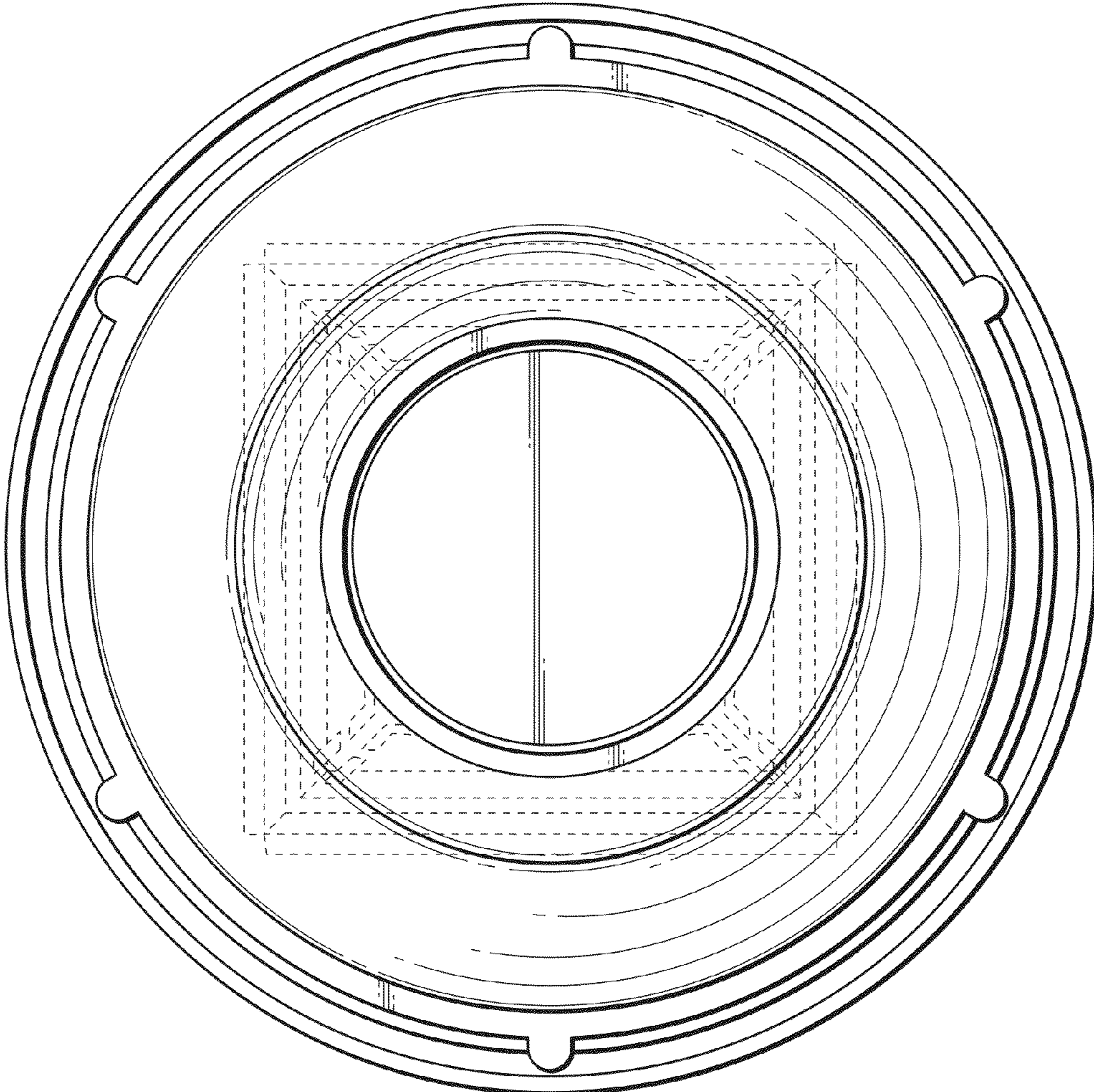


FIG. 3

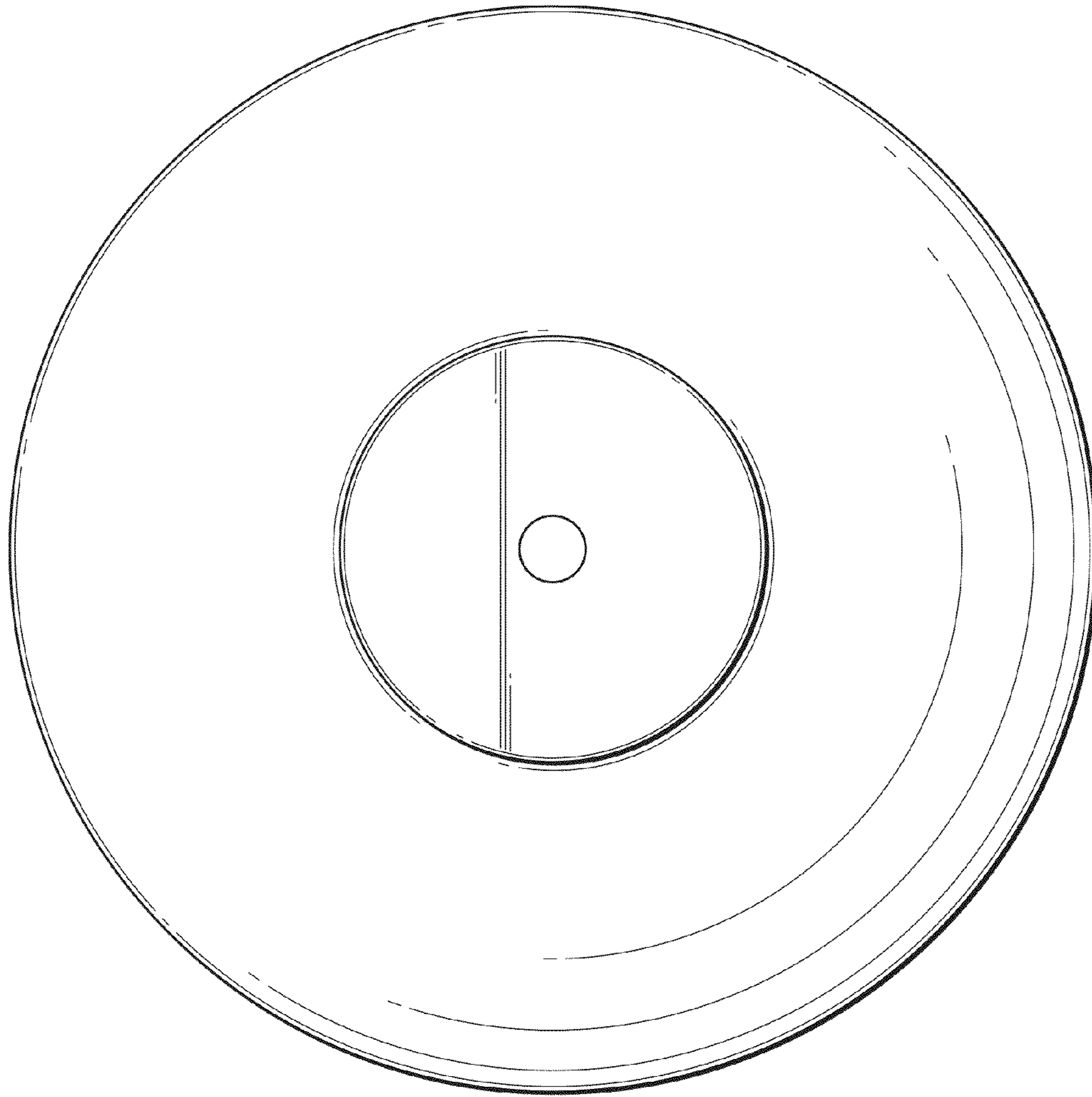


FIG. 4