



US00D735922S

(12) **United States Design Patent**
Yamauchi

(10) **Patent No.:** **US D735,922 S**
(45) **Date of Patent:** **** Aug. 4, 2015**

(54) **LIGHT FOR DIGITAL CAMERA**

(71) Applicant: **Samsung Electronics Co., Ltd.**,
Suwon-si (KR)

(72) Inventor: **Kenji Yamauchi**, Seoul (KR)

(73) Assignee: **SAMSUNG ELECTRONICS CO., LTD.**,
Suwon-Si (KR)

(**) Term: **14 Years**

(21) Appl. No.: **29/459,952**

(22) Filed: **Jul. 5, 2013**

(30) **Foreign Application Priority Data**

Jan. 5, 2013 (KR) 30-2013-0000781

(51) **LOC (10) Cl.** **26-01**

(52) **U.S. Cl.**
USPC **D26/51**; D16/239

(58) **Field of Classification Search**

USPC D26/37, 38, 45, 46, 51, 52; 362/157,
362/158, 183, 184, 194-196, 202-208, 253,
362/3, 8, 16; D16/239, 240

CPC H04N 2101/00; F21L 2/00; F21L 4/00;
F21L 4/005; F21L 17/00; F21L 13/08; H04M
2250/20; F21Y 2101/00; F21V 21/30; F21V
21/406; F21W 2131/406; F21W 2131/407

See application file for complete search history.

(56) **References Cited**

U.S. PATENT DOCUMENTS

D550,385 S * 9/2007 Hamilton et al. D26/37
7,756,410 B2 * 7/2010 Senba 396/155
D633,541 S * 3/2011 Khubani D16/135
D645,184 S * 9/2011 Zhan D26/63
D653,372 S * 1/2012 Feigenbaum D26/51
D659,867 S * 5/2012 Zhan D26/37

D677,815 S * 3/2013 Zhan D26/37
D693,397 S * 11/2013 Zhan D16/239
D699,279 S * 2/2014 Zhan D16/239
2005/0265014 A1 * 12/2005 Matsui et al. 362/5
2010/0014289 A1 * 1/2010 Thomas et al. 362/235

* cited by examiner

Primary Examiner — Ian Simmons

Assistant Examiner — Carissa C Fitts

(74) *Attorney, Agent, or Firm* — Staas & Halsey LLP

(57) **CLAIM**

The ornamental design for a light for digital camera, as shown and described.

DESCRIPTION

FIG. 1 is a top front perspective view of a light for digital camera;

FIG. 2 is a front view thereof;

FIG. 3 is a rear view thereof;

FIG. 4 is a left-side view thereof;

FIG. 5 is a right-side view thereof;

FIG. 6 is a top view thereof;

FIG. 7 is a bottom view thereof;

FIG. 8 is another front perspective view thereof being combined with a digital camera;

FIG. 9 is another right side view thereof being combined with a digital camera

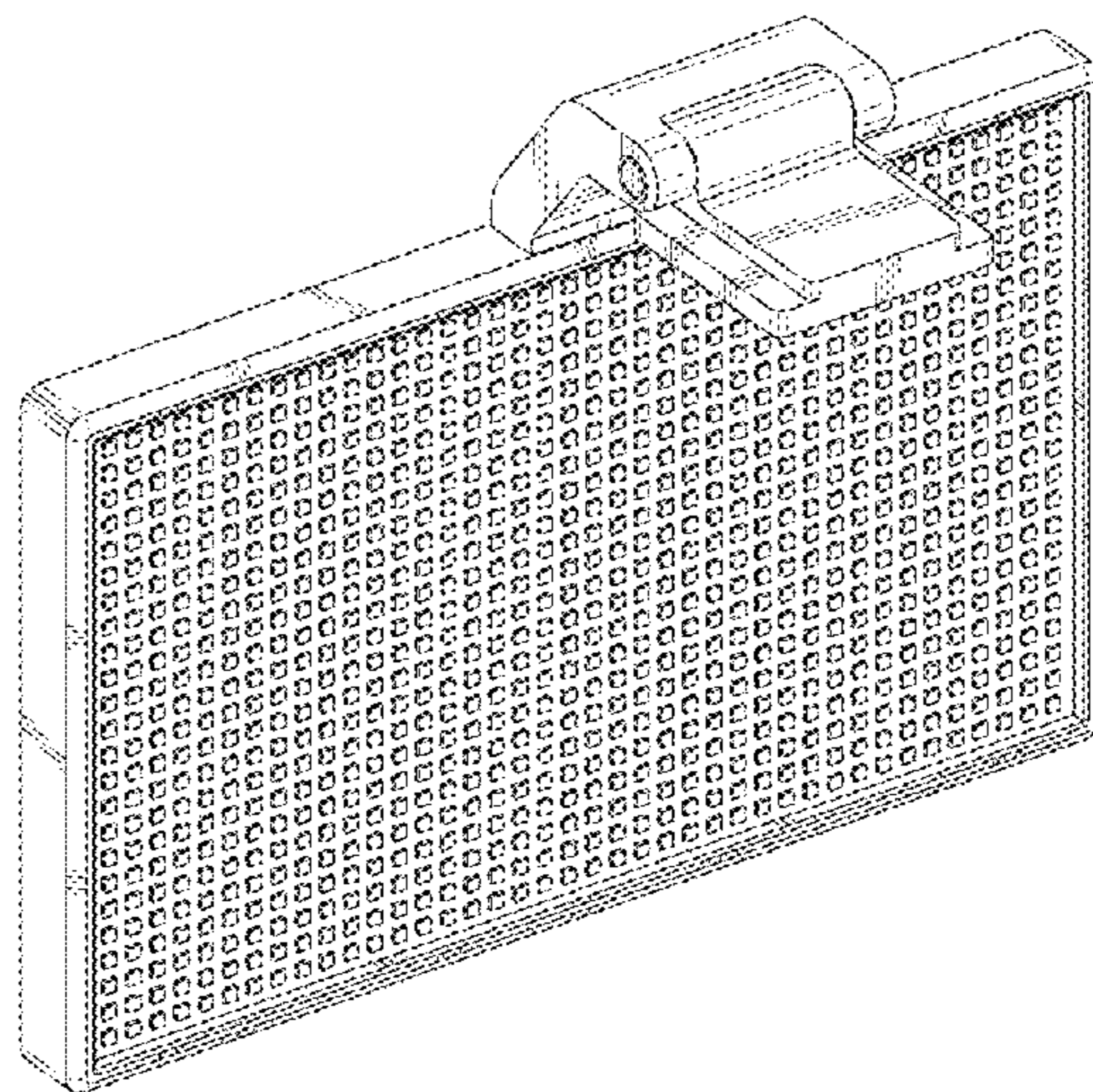
FIG. 10 is another right side view thereof showing a first state, in which the light is rotated by 90 degrees

FIG. 11 is another right side view thereof showing a second state, in which the light is rotated vertically; and,

FIG. 12 is another top view thereof showing a third state, in which the light is horizontally rotated with respect to a digital camera.

The broken lines shown in the drawings are directed to environment and are for illustrative purpose only; the broken lines form no part of the claimed design.

1 Claim, 7 Drawing Sheets



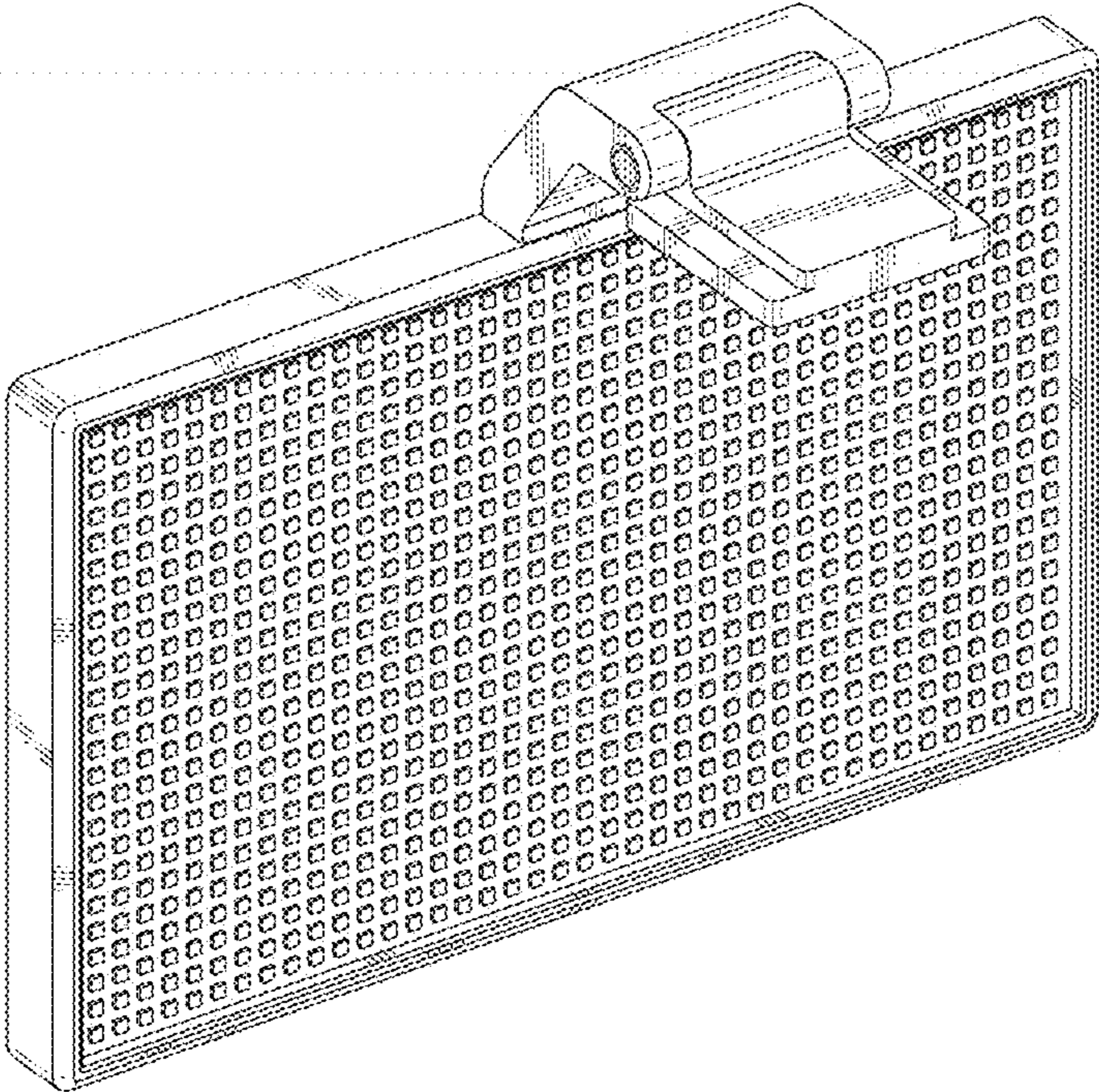


FIG.1

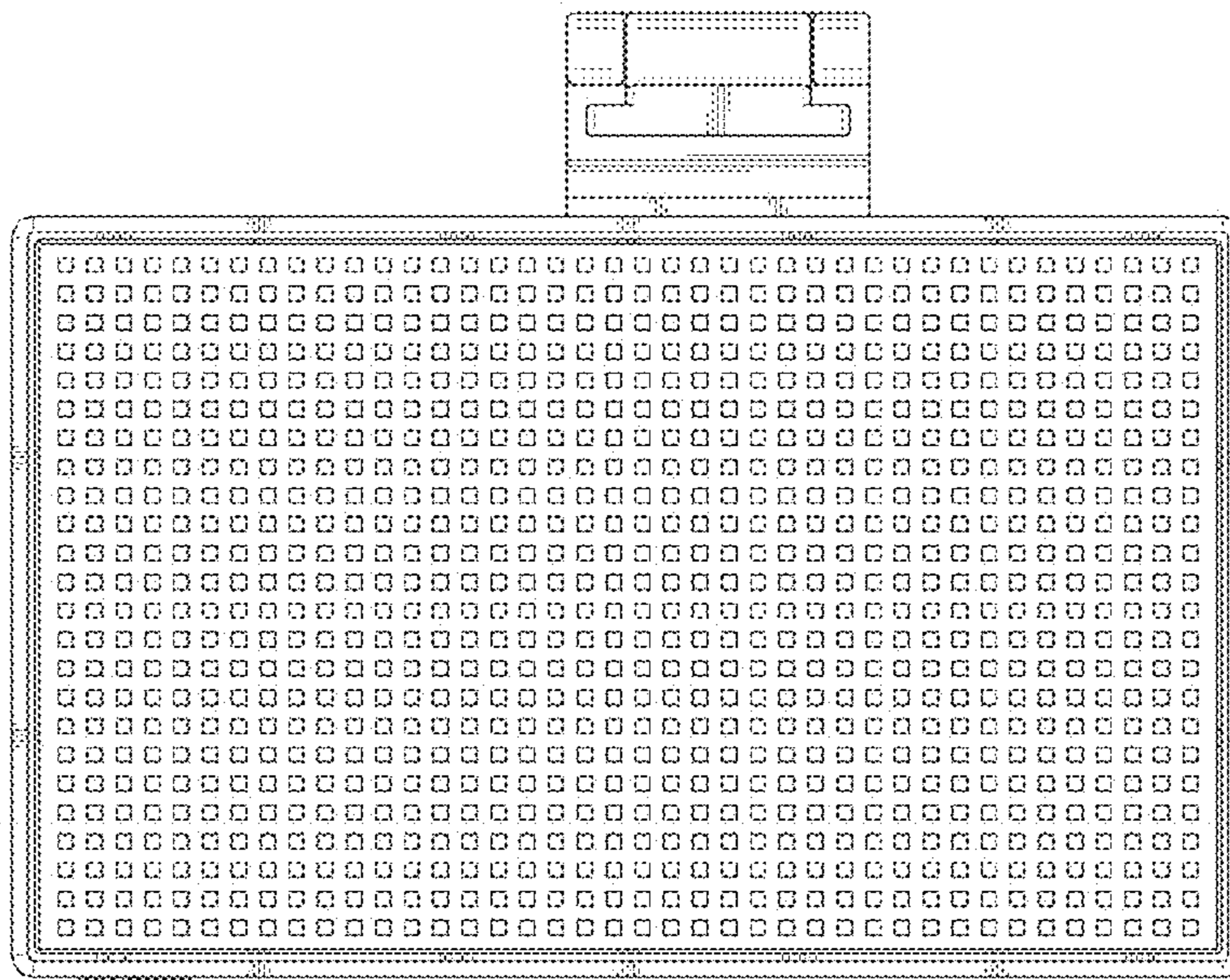


FIG. 2

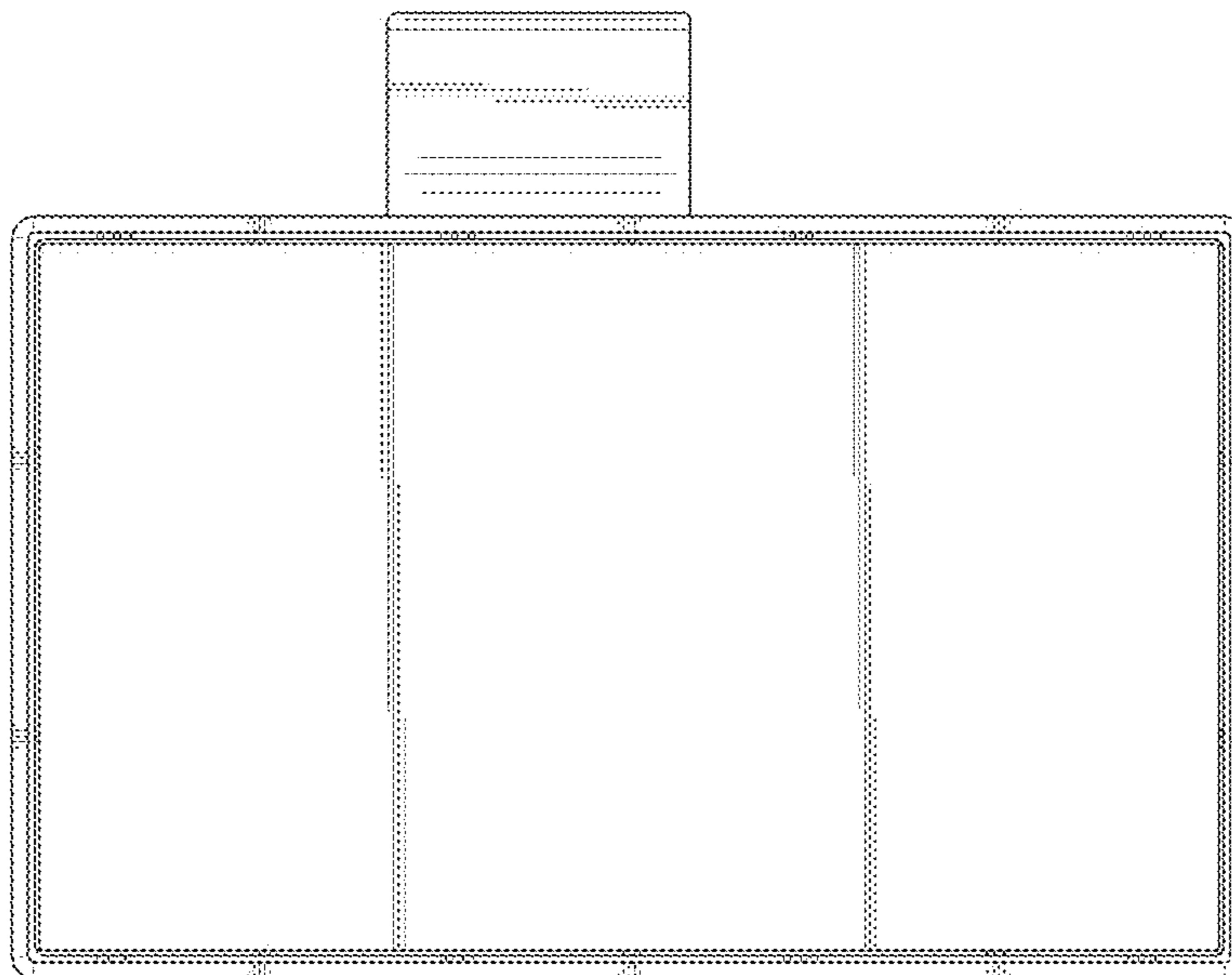


FIG. 3

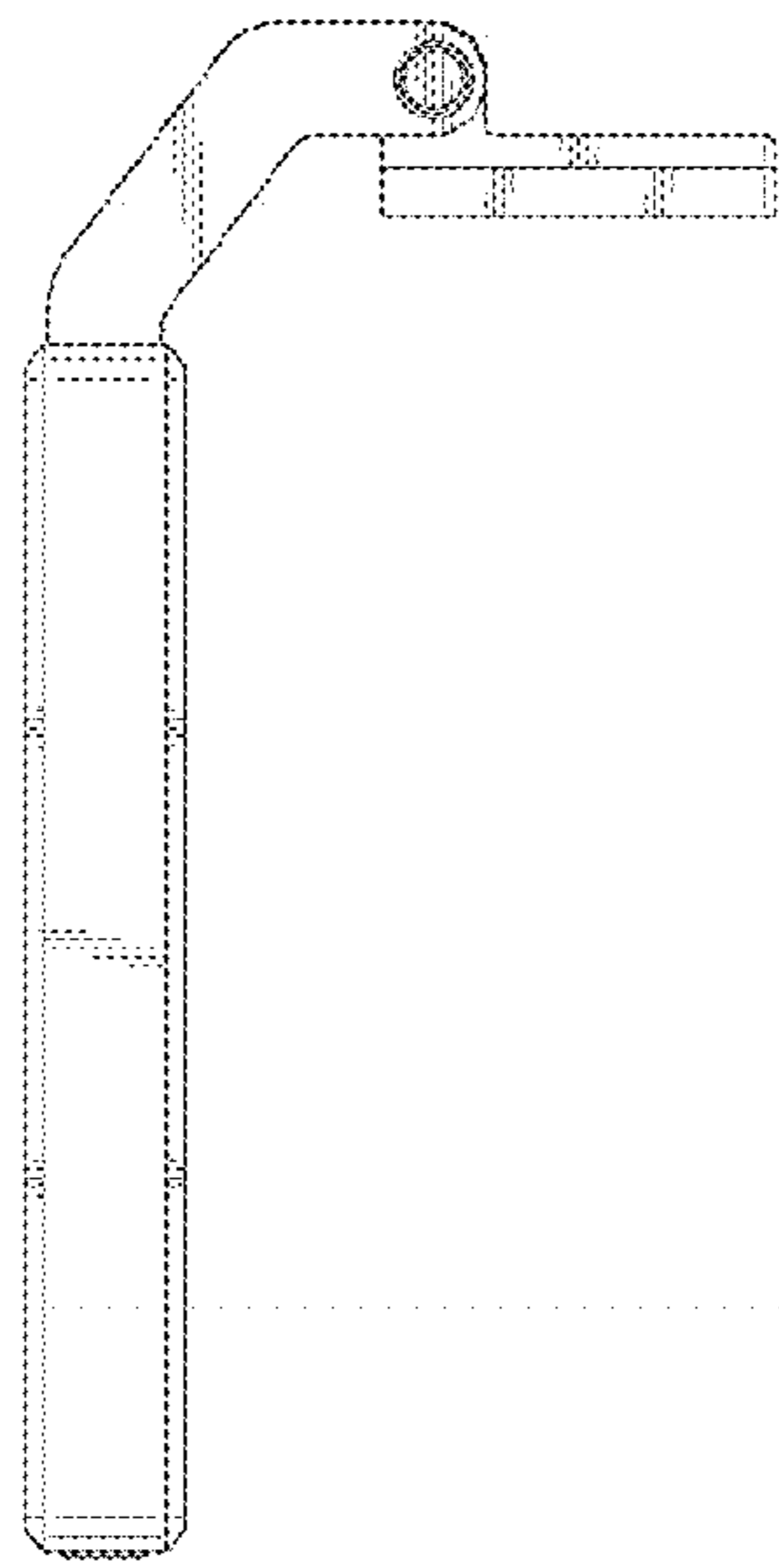


FIG. 4

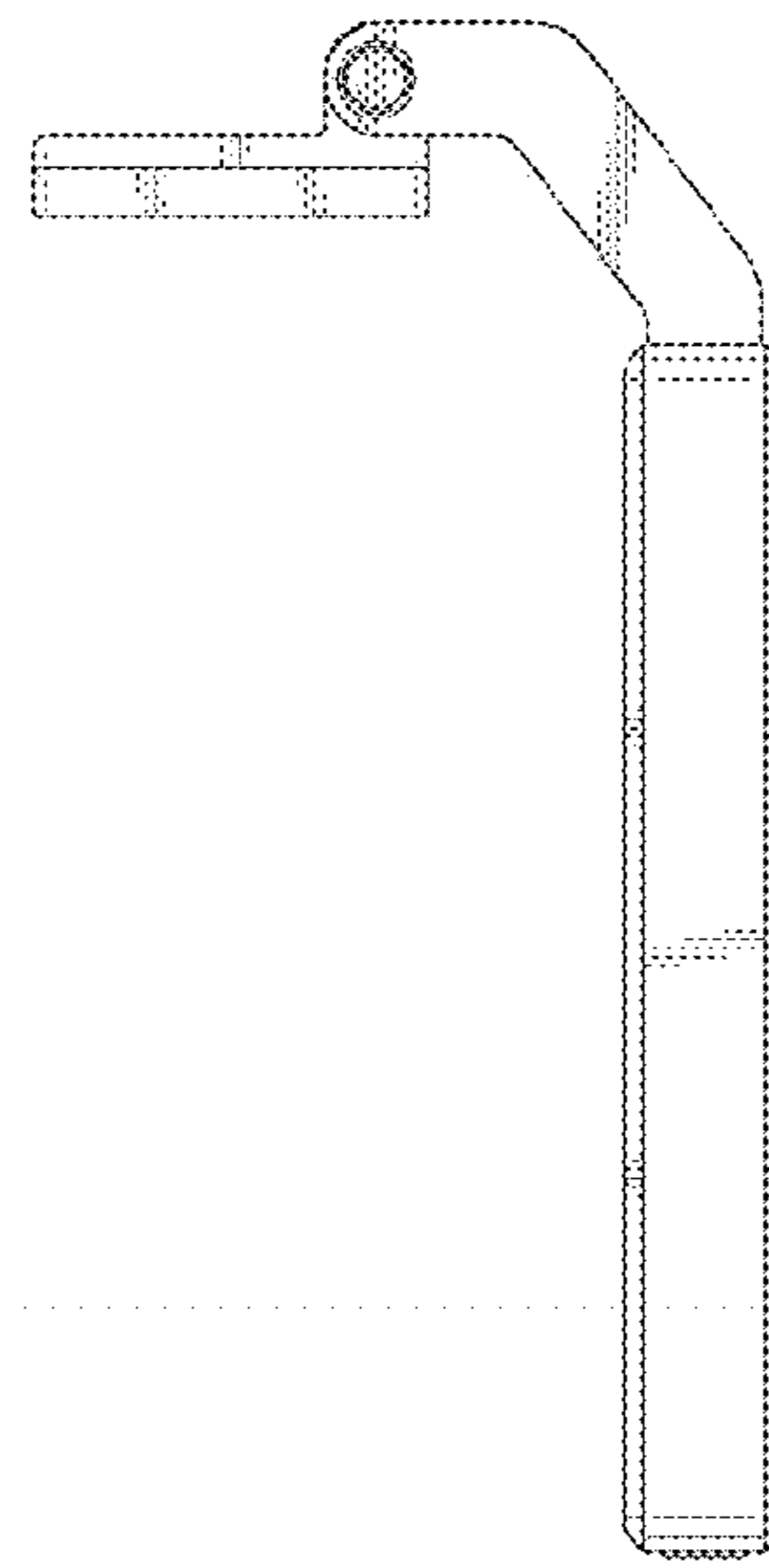


FIG. 5

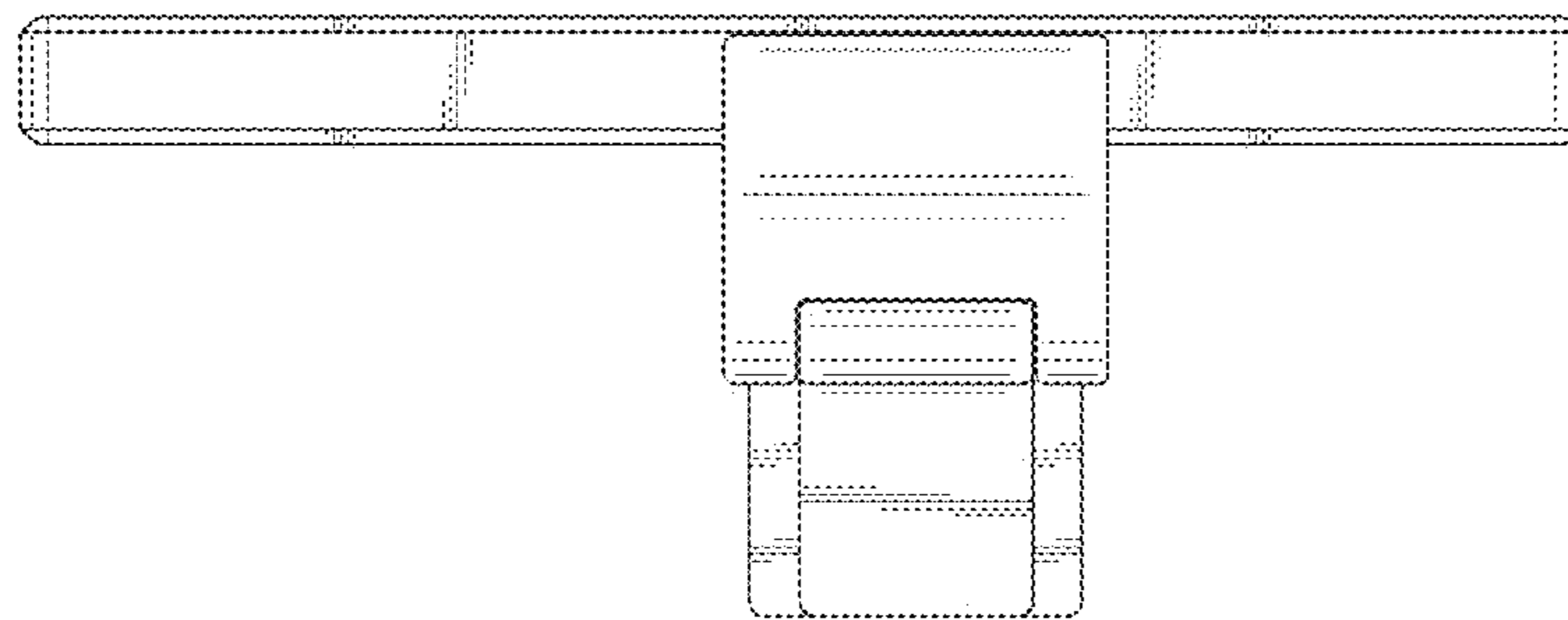


FIG. 6

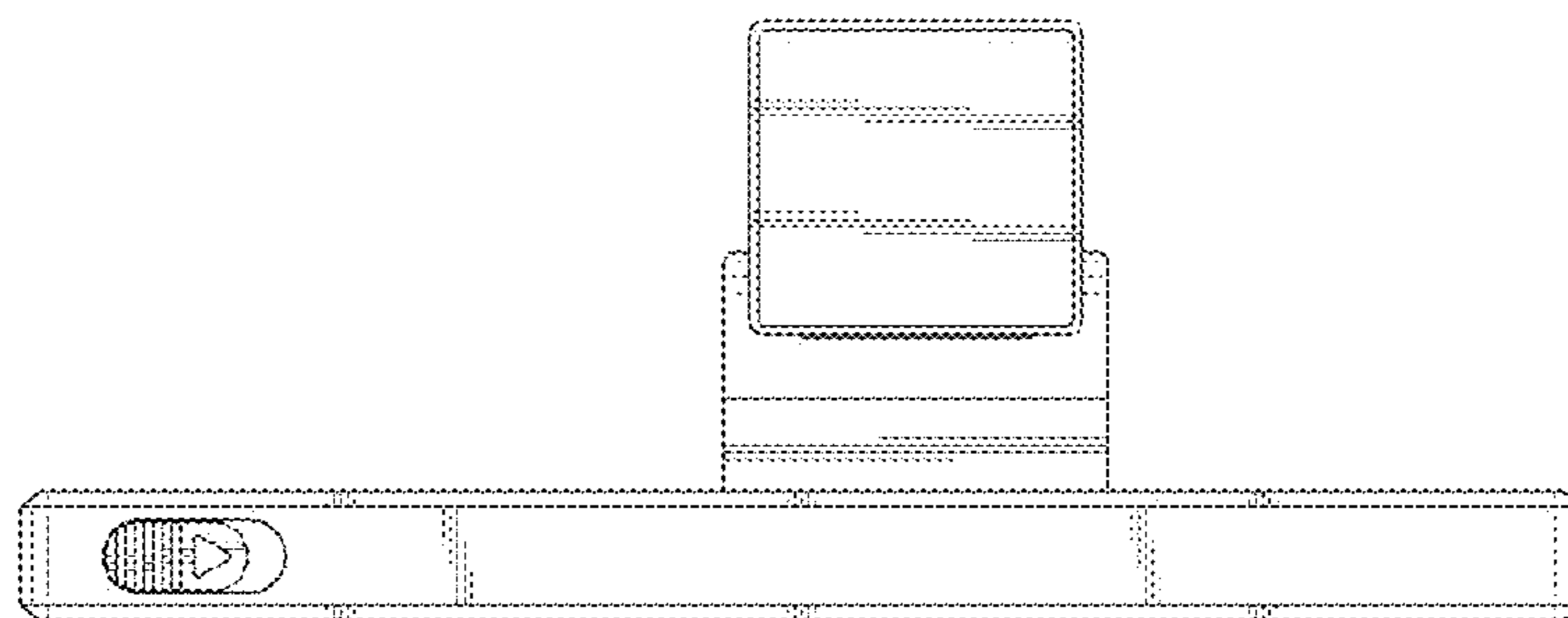


FIG. 7

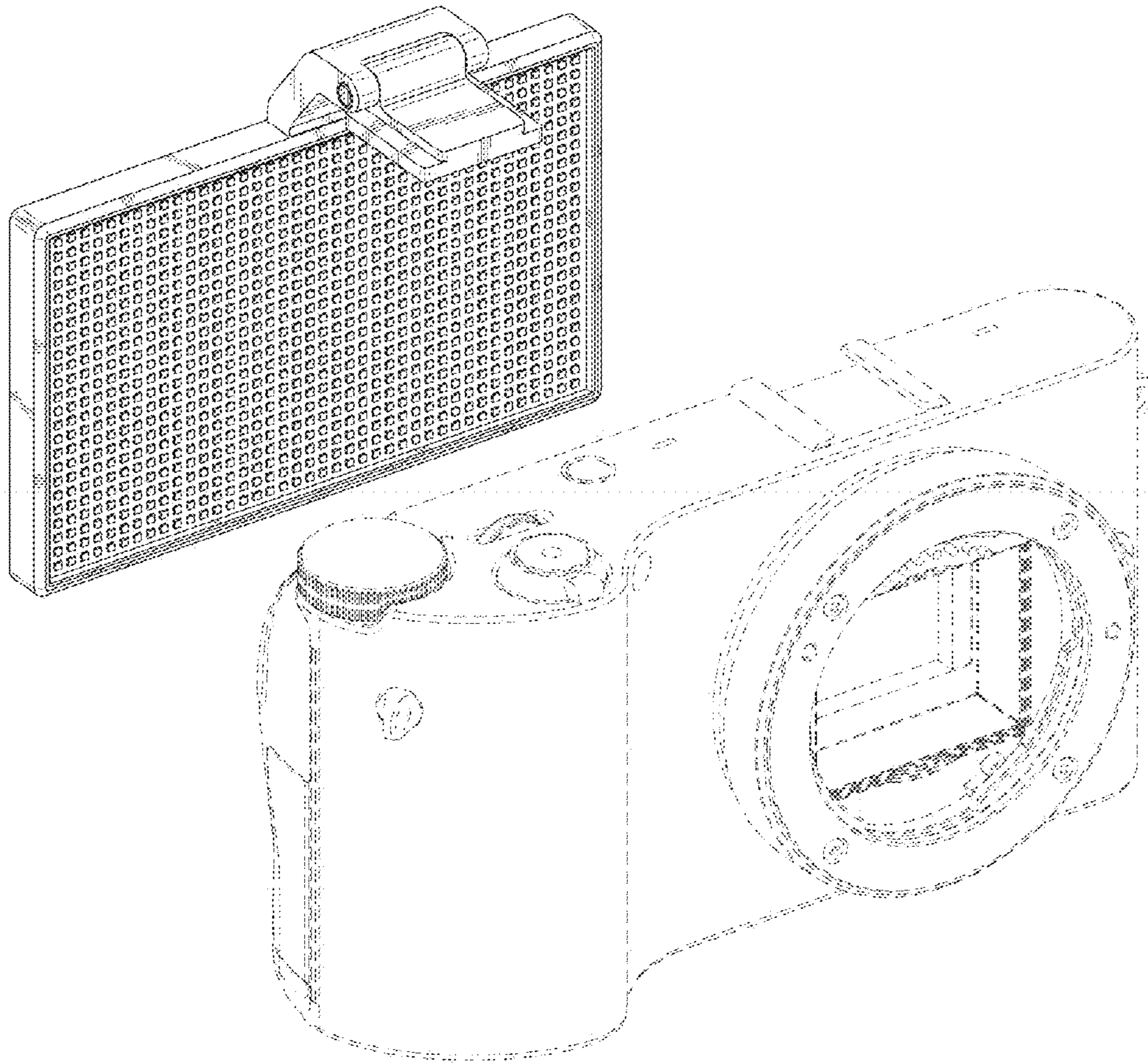


FIG.8

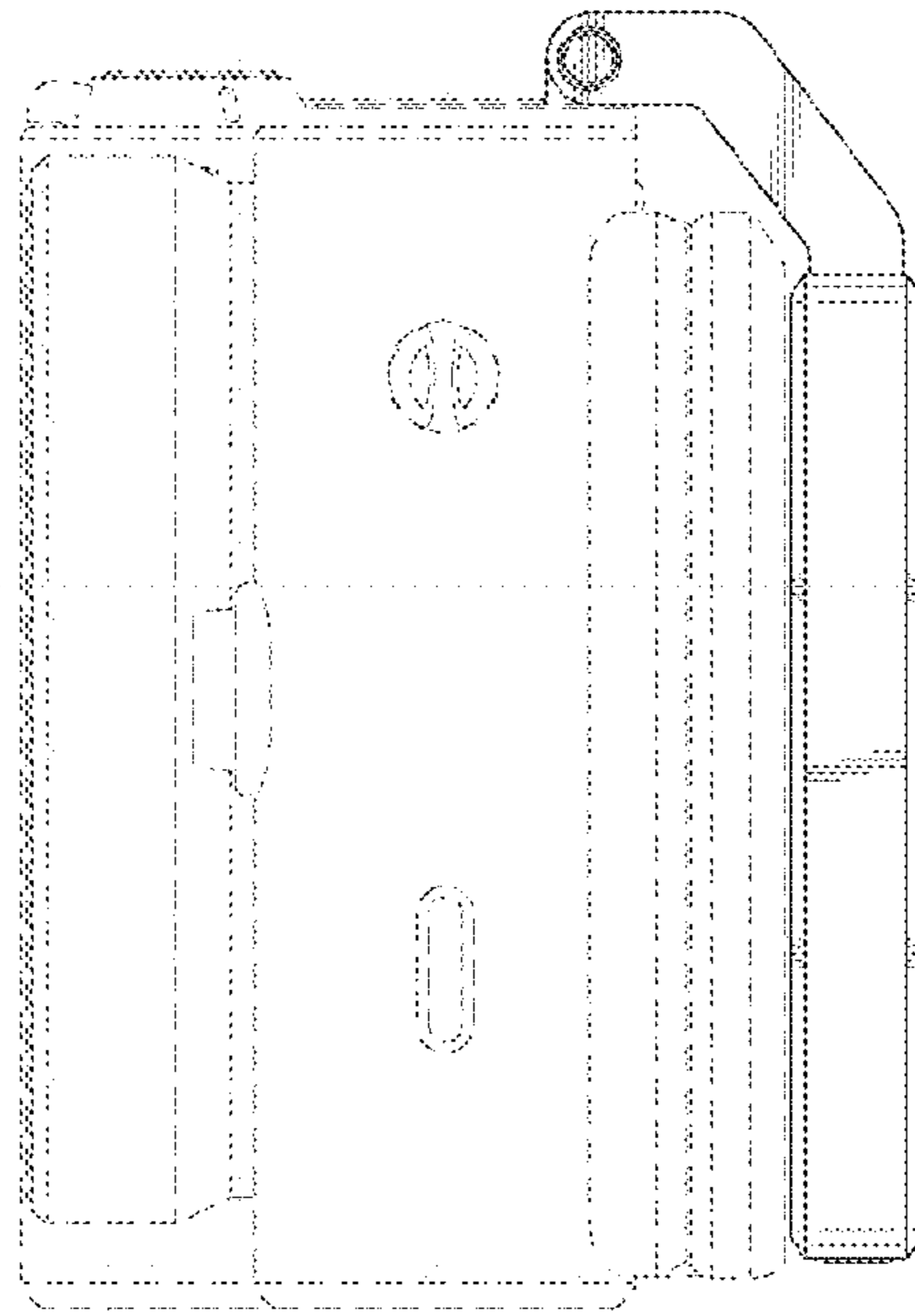


FIG. 9

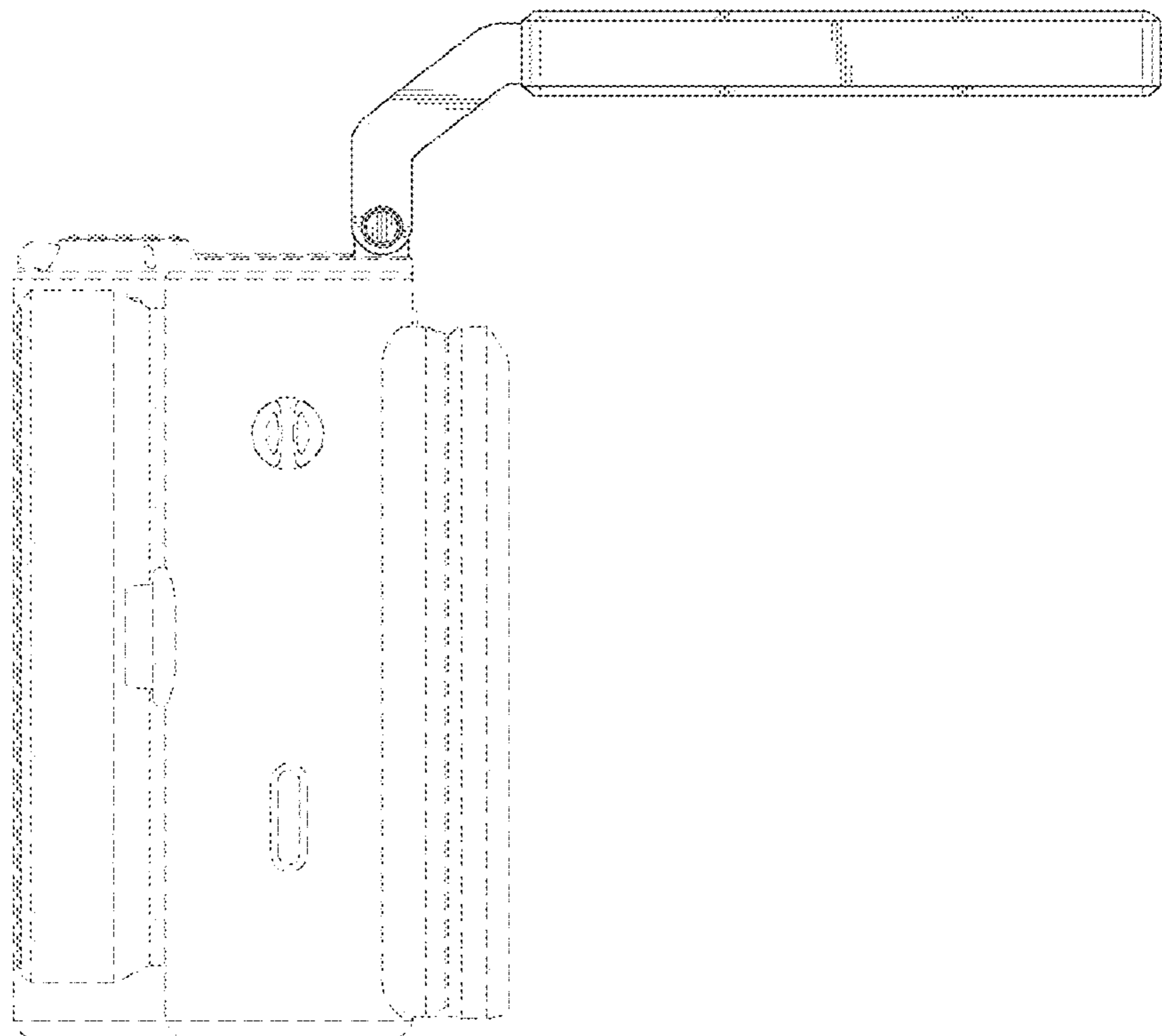


FIG. 10

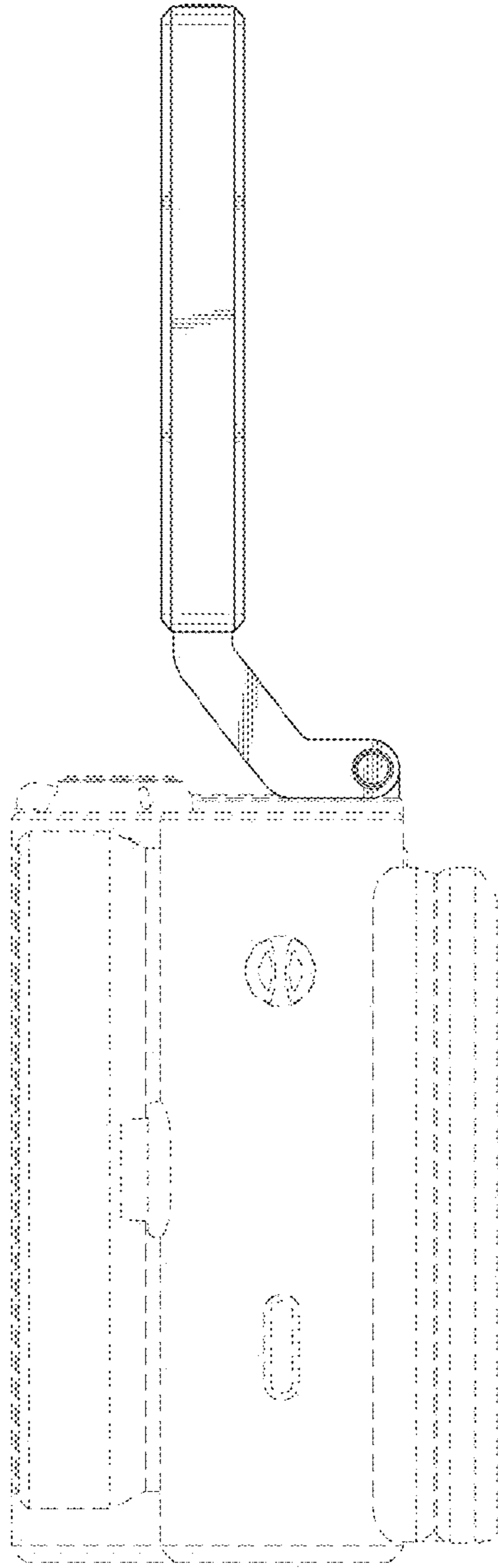


FIG.11

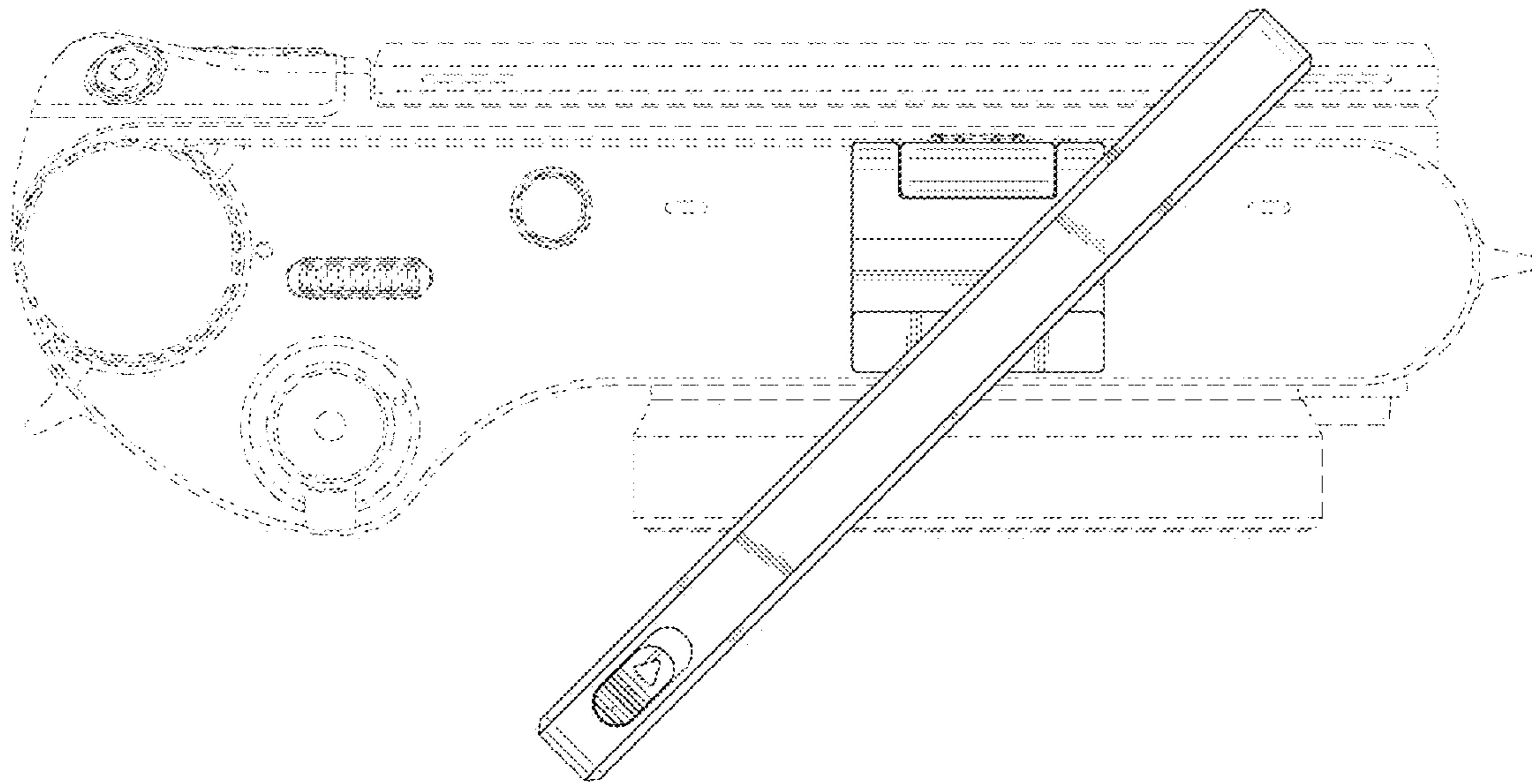


FIG. 12