

US00D735920S

(12) **United States Design Patent**  
**Honda**

(10) **Patent No.:** **US D735,920 S**

(45) **Date of Patent:** **\*\* Aug. 4, 2015**

- (54) **COMBINATION LAMP FOR AN AUTOMOBILE**
- (71) Applicant: **Nobuhiko Honda**, Toyota (JP)
- (72) Inventor: **Nobuhiko Honda**, Toyota (JP)
- (73) Assignee: **Toyota Jidosha Kabushiki Kaisha** (JP)
- (\*\*) Term: **14 Years**
- (21) Appl. No.: **29/485,274**
- (22) Filed: **Mar. 18, 2014**

- (30) **Foreign Application Priority Data**
- Sep. 30, 2013 (JP) ..... 2013-022788
- (51) **LOC (10) Cl.** ..... **26-06**
- (52) **U.S. Cl.**
- USPC ..... **D26/28**
- (58) **Field of Classification Search**
- USPC ..... D26/28-36, 139
- CPC ..... F21S 48/10; F21S 48/115; F21S 48/145;  
F21S 48/1109; F21S 48/1168; F21S 48/1186
- See application file for complete search history.

- (56) **References Cited**
- U.S. PATENT DOCUMENTS**
- D540,963 S \* 4/2007 Levy et al. .... D26/28
- D675,355 S \* 1/2013 Sakai et al. .... D26/28
- D677,813 S \* 3/2013 Hanaoka ..... D26/28
- D684,710 S \* 6/2013 Chen et al. .... D26/28
- D691,754 S \* 10/2013 Chen et al. .... D26/28
- D697,243 S \* 1/2014 Kitazumi ..... D26/28
- D701,335 S \* 3/2014 Jeong et al. .... D26/28
- D707,374 S \* 6/2014 Kim et al. .... D26/28

- D708,371 S \* 7/2014 Song et al. .... D26/28
- D709,223 S \* 7/2014 Lai ..... D26/28
- D710,044 S \* 7/2014 Lai ..... D26/28
- D712,078 S \* 8/2014 Muntada Roura ..... D26/28
- D717,976 S \* 11/2014 Gueler et al. .... D26/28
- D723,723 S \* 3/2015 Goto ..... D26/28

**OTHER PUBLICATIONS**

Toyota, Toyota FCV-R Concept, netcarshow.com <[http://www.netcarshow.com/toyota/2012-fcv-r\\_concept/1600x1200/wallpaper\\_07.htm](http://www.netcarshow.com/toyota/2012-fcv-r_concept/1600x1200/wallpaper_07.htm)>, available before Aug. 1, 2013.

Honda, Honda NSX Concept, netcarshow.com, <[http://www.netcarshow.com/honda/2012-nsx\\_concept/1600X1200/wallpaper\\_oc.htm](http://www.netcarshow.com/honda/2012-nsx_concept/1600X1200/wallpaper_oc.htm)>, available before Aug. 1, 2013.

\* cited by examiner

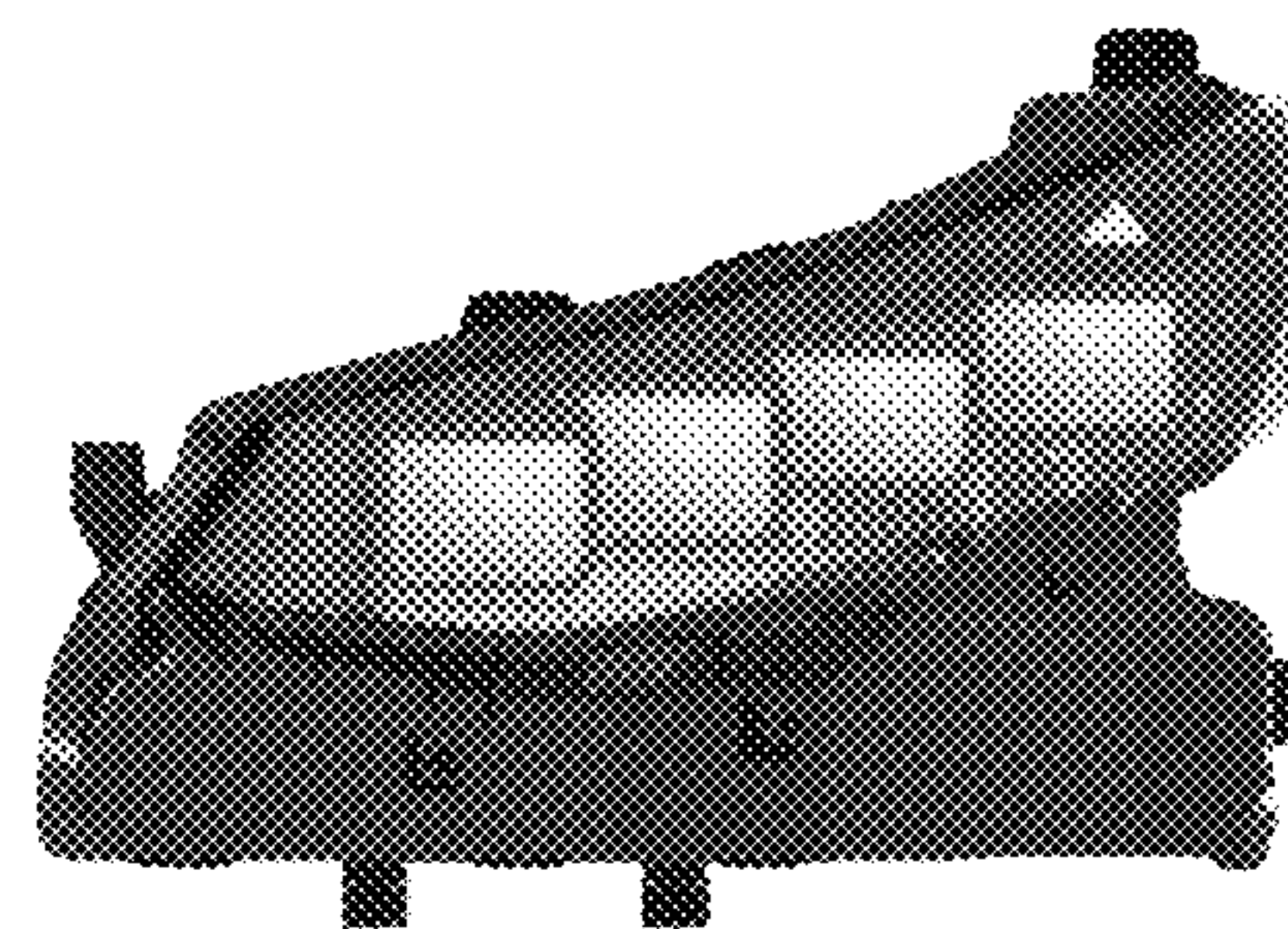
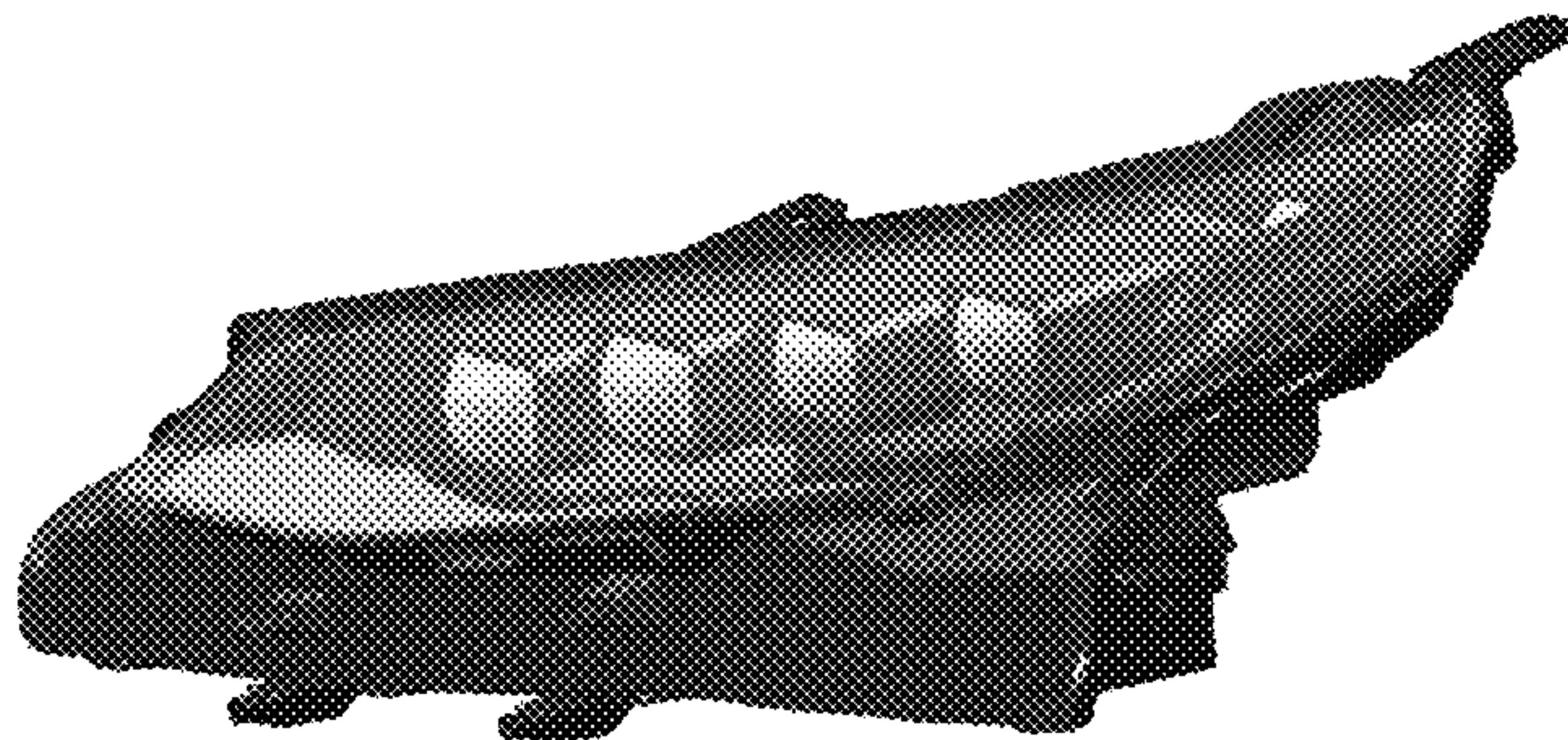
*Primary Examiner* — Clare E Heflin  
 (74) *Attorney, Agent, or Firm* — Saidman DesignLaw Group, LLC

(57) **CLAIM**  
 The ornamental design for a combination lamp for an automobile, as shown and described.

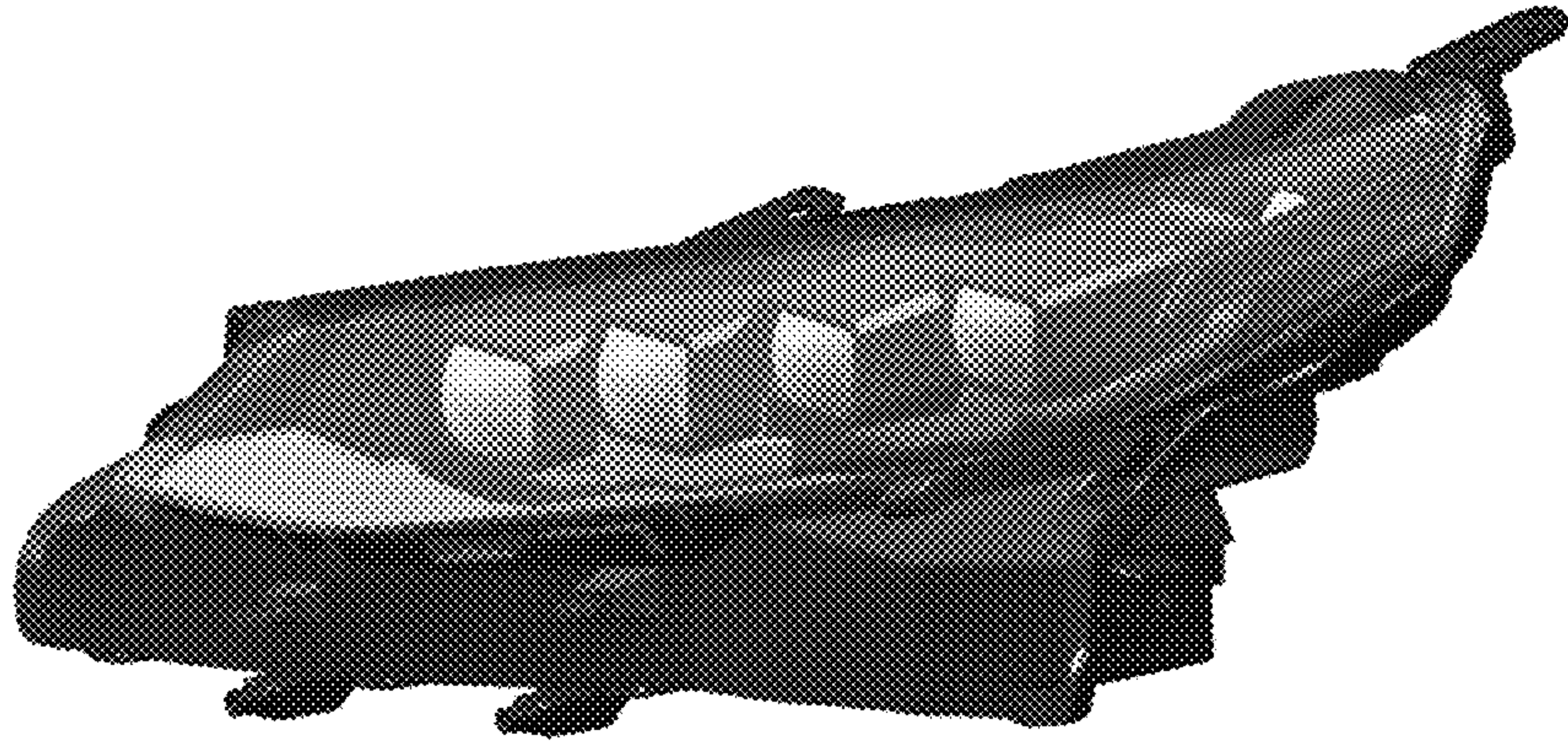
**DESCRIPTION**

FIG. 1 is a perspective view of a combination lamp for an automobile showing my new design;  
 FIG. 2 is a front view thereof;  
 FIG. 3 is a rear view thereof;  
 FIG. 4 is a top view thereof;  
 FIG. 5 is a bottom view thereof;  
 FIG. 6 is a right side view thereof; and,  
 FIG. 7 is a left side view thereof.  
 The drawings include shadows and reflections which indicate contour, not surface ornamentation.

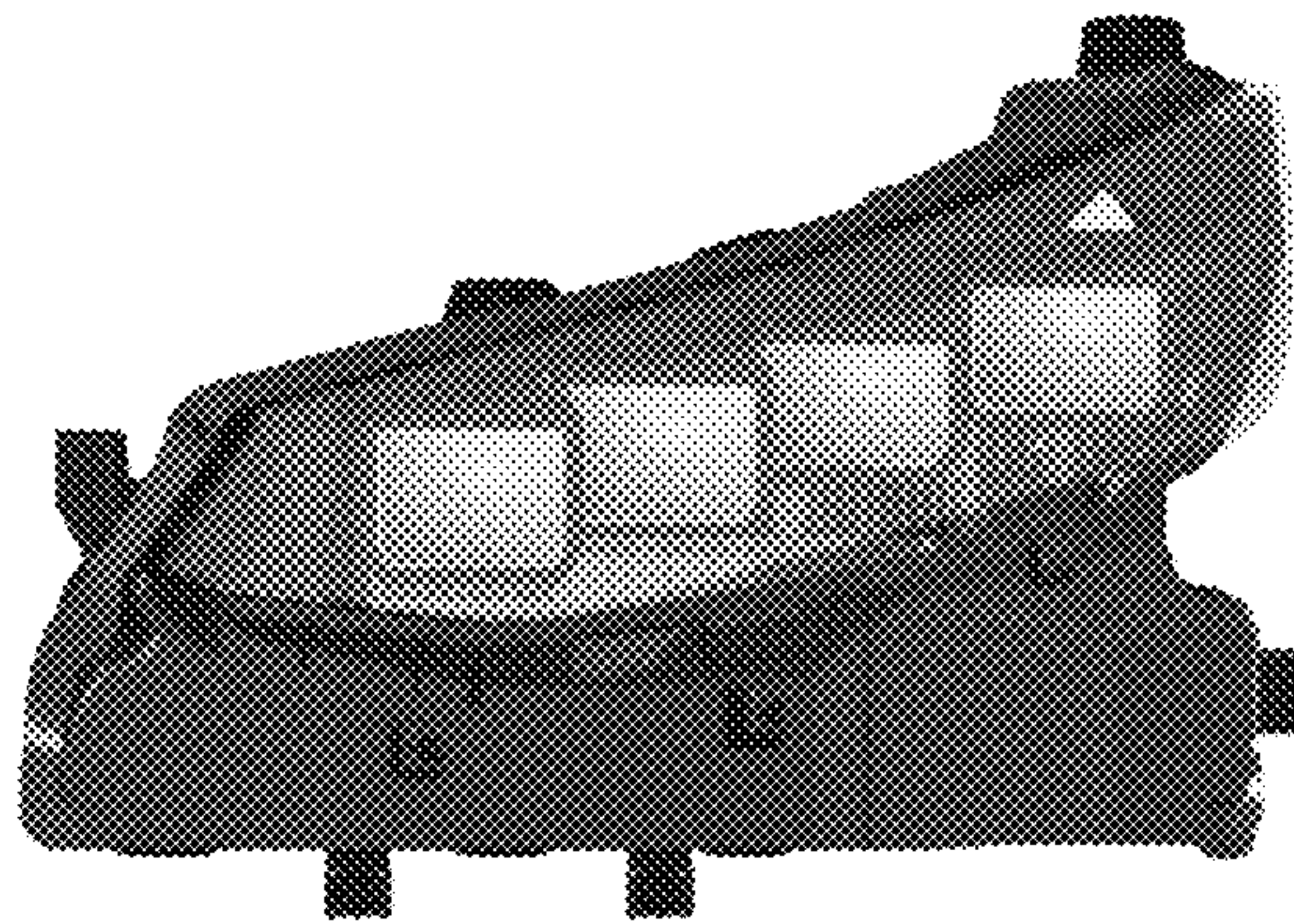
**1 Claim, 3 Drawing Sheets**



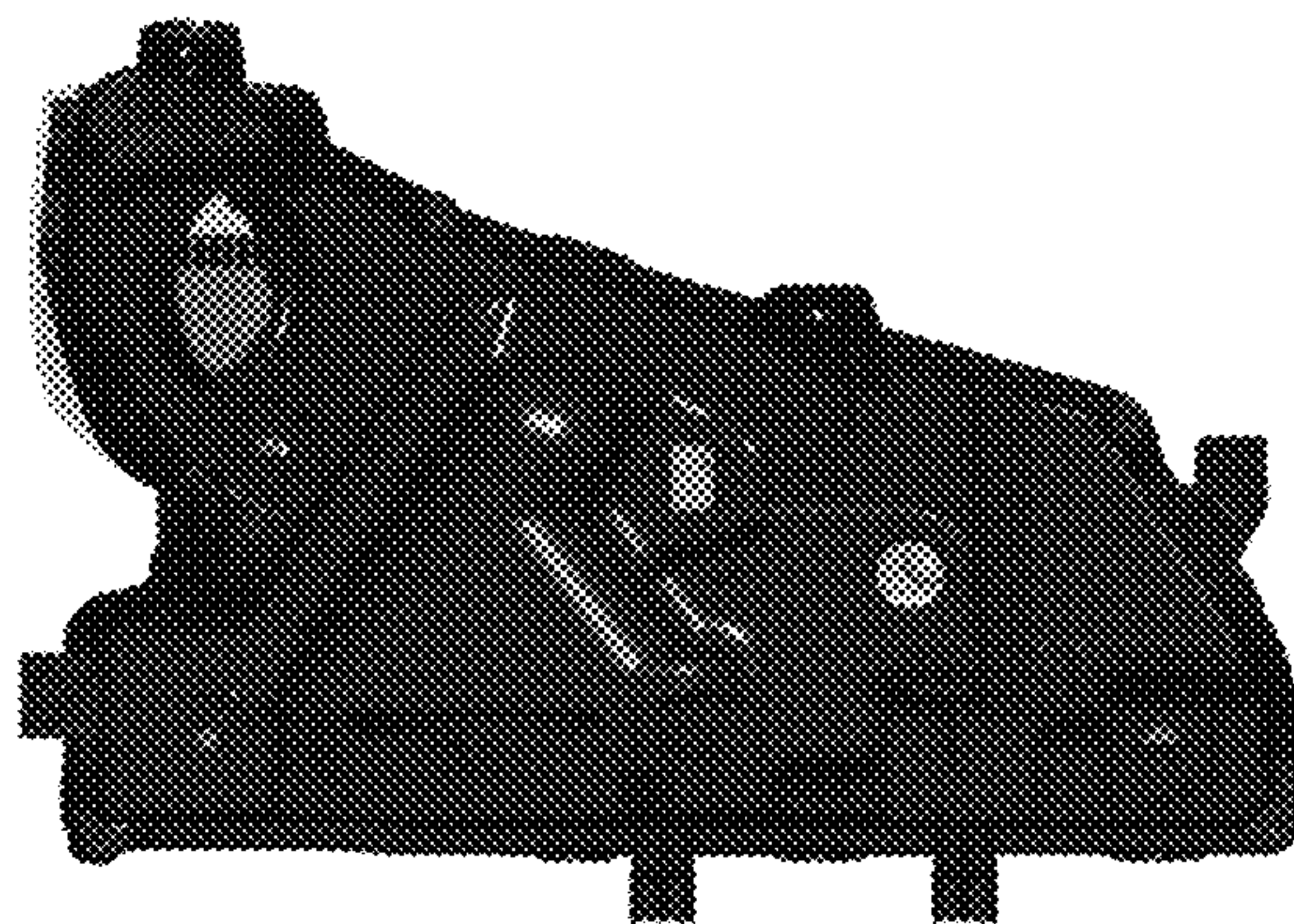




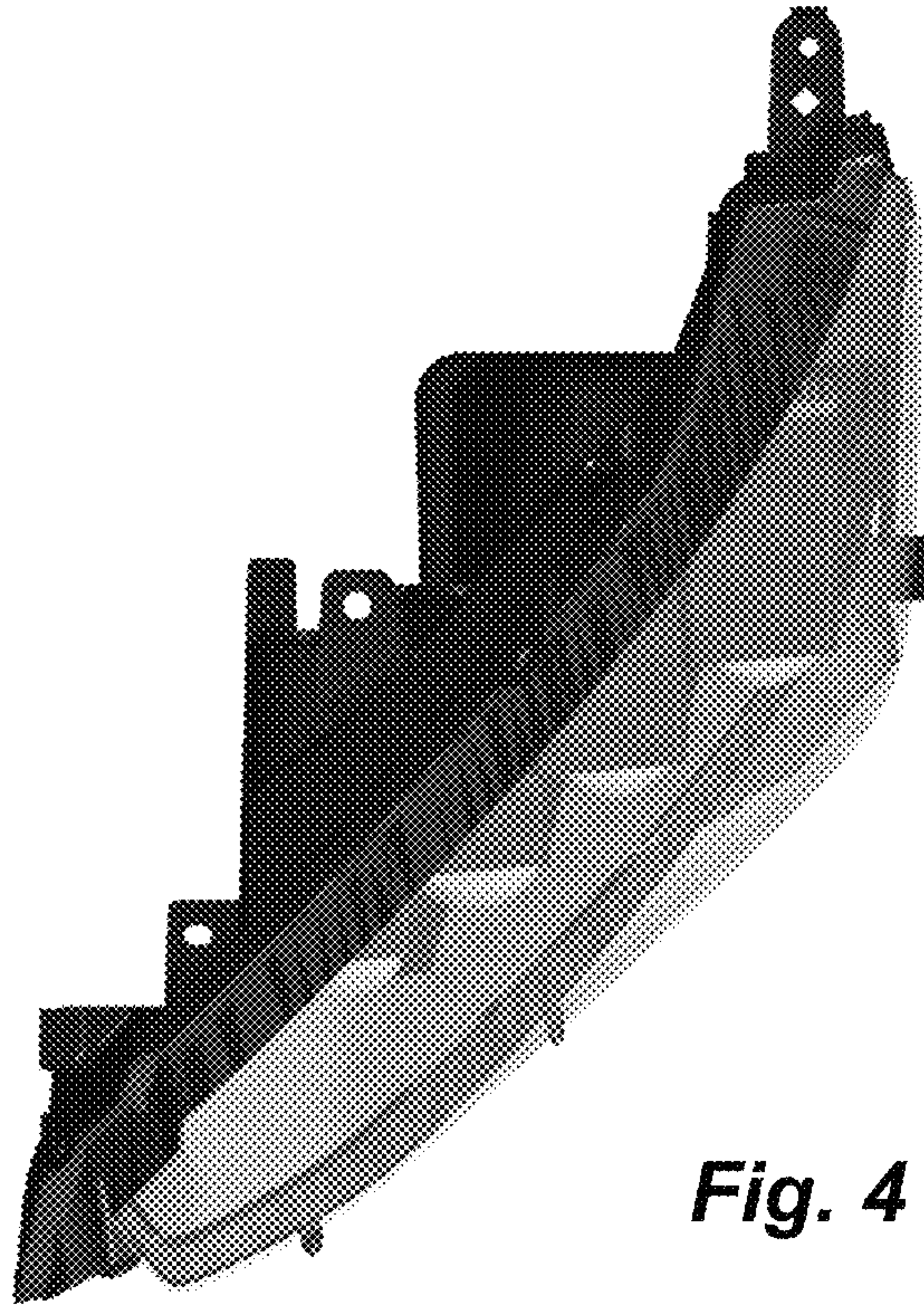
*Fig. 1*



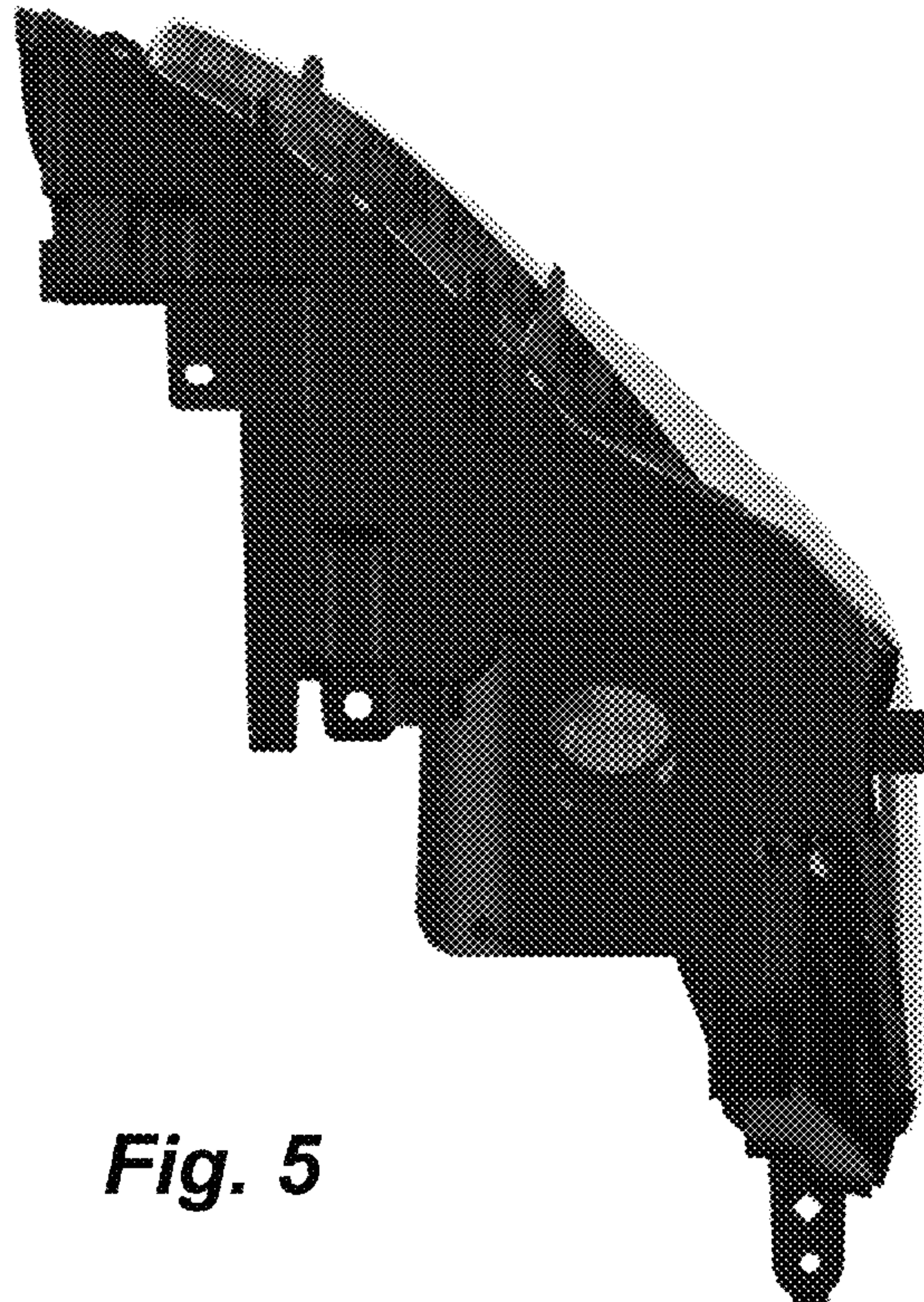
*Fig. 2*



*Fig. 3*

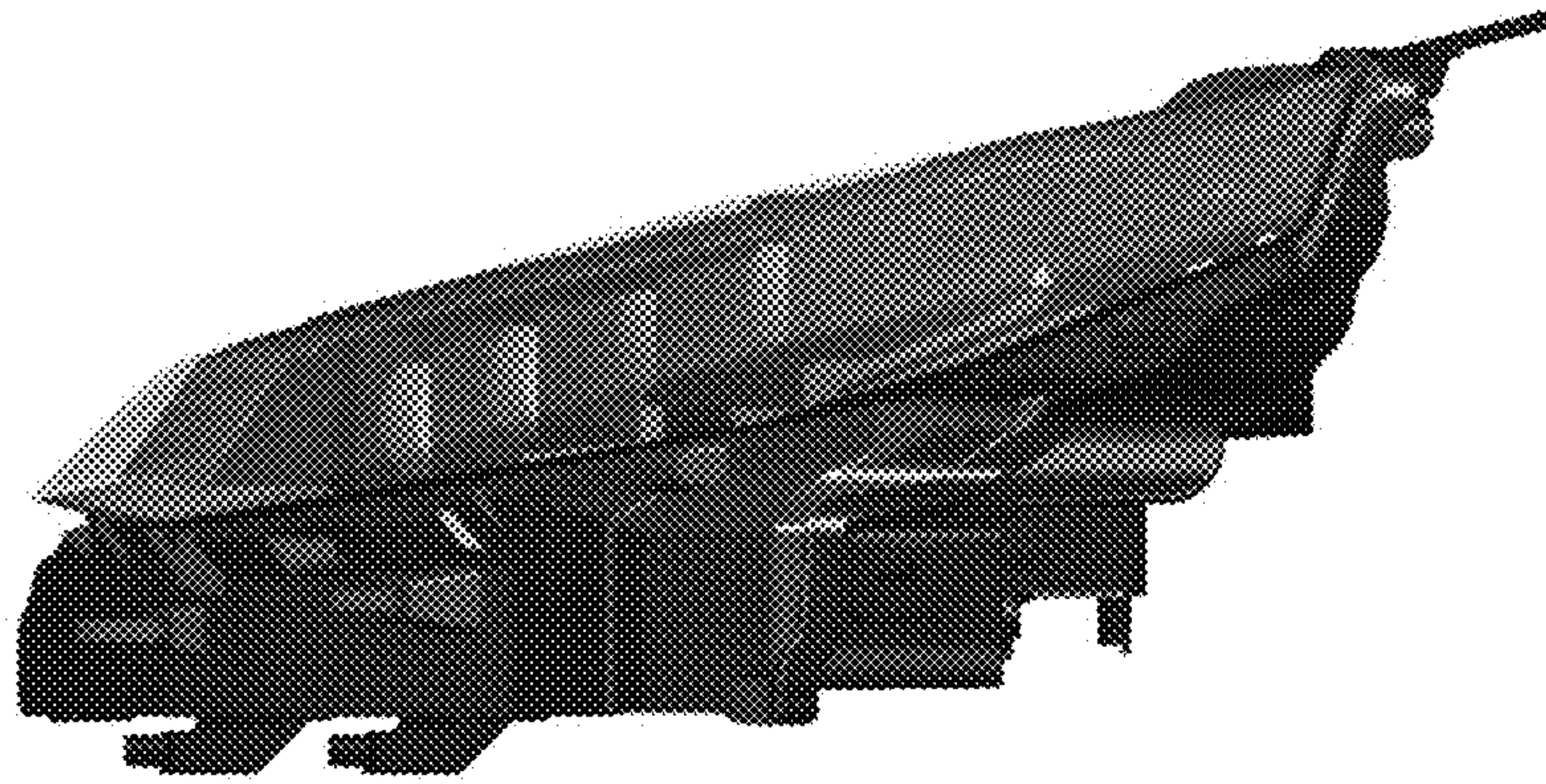


*Fig. 4*

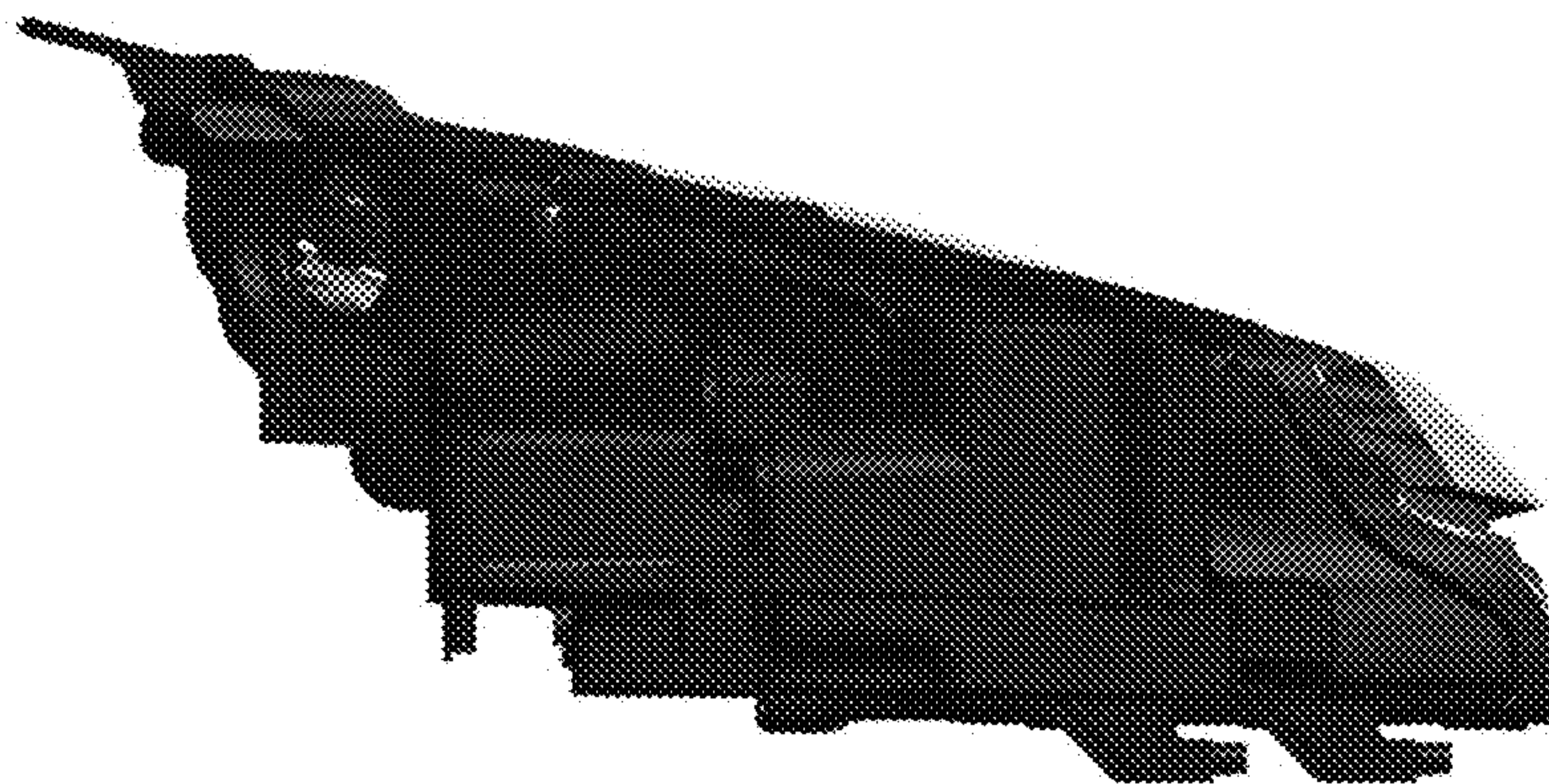


*Fig. 5*





*Fig. 6*



*Fig. 7*