



US00D735919S

(12) **United States Design Patent**  
**Duff et al.**

(10) **Patent No.:** **US D735,919 S**

(45) **Date of Patent:** **\*\* Aug. 4, 2015**

(54) **VEHICLE FRONT HEAD LAMP**

(71) Applicant: **GM GLOBAL TECHNOLOGY OPERATIONS LLC**

(72) Inventors: **Richard S. Duff**, Warren, MI (US); **Ying He**, Shanghai (CN)

(73) Assignee: **GM GLOBAL TECHNOLOGY OPERATIONS LLC**, Detroit, MI (US)

(\*\*) Term: **14 Years**

(21) Appl. No.: **29/484,369**

(22) Filed: **Mar. 8, 2014**

(51) **LOC (10) Cl.** ..... **26-06**

(52) **U.S. Cl.**  
USPC ..... **D26/28**

(58) **Field of Classification Search**  
USPC ..... D26/28–36, 139  
CPC ..... F21S 48/10; F21S 48/115; F21S 48/145;  
F21S 48/1109; F21S 48/1168; F21S 48/1186  
See application file for complete search history.

(56) **References Cited**

**U.S. PATENT DOCUMENTS**

D578,676 S \* 10/2008 Smock et al. .... D26/28  
D613,436 S \* 4/2010 Yamaguchi ..... D26/28  
D662,635 S \* 6/2012 Sato et al. .... D26/28

D665,110 S \* 8/2012 Svensson et al. .... D26/28  
D674,932 S \* 1/2013 Kawano et al. .... D26/28  
D685,117 S \* 6/2013 Cogswell ..... D26/28  
D706,471 S \* 6/2014 Lai ..... D26/28  
D708,767 S \* 7/2014 Minaminsawa et al. .... D26/28  
D708,769 S \* 7/2014 Badstuebner ..... D26/28  
D709,631 S \* 7/2014 Sato ..... D26/28  
D710,522 S \* 8/2014 Kwon et al. .... D26/28  
D714,977 S \* 10/2014 Lee et al. .... D26/28  
D715,978 S \* 10/2014 Loeb ..... D26/28  
D717,984 S \* 11/2014 Lai ..... D26/28

\* cited by examiner

*Primary Examiner* — Clare E Heflin

(74) *Attorney, Agent, or Firm* — Mickki D. Murray; Parks Wood LLC

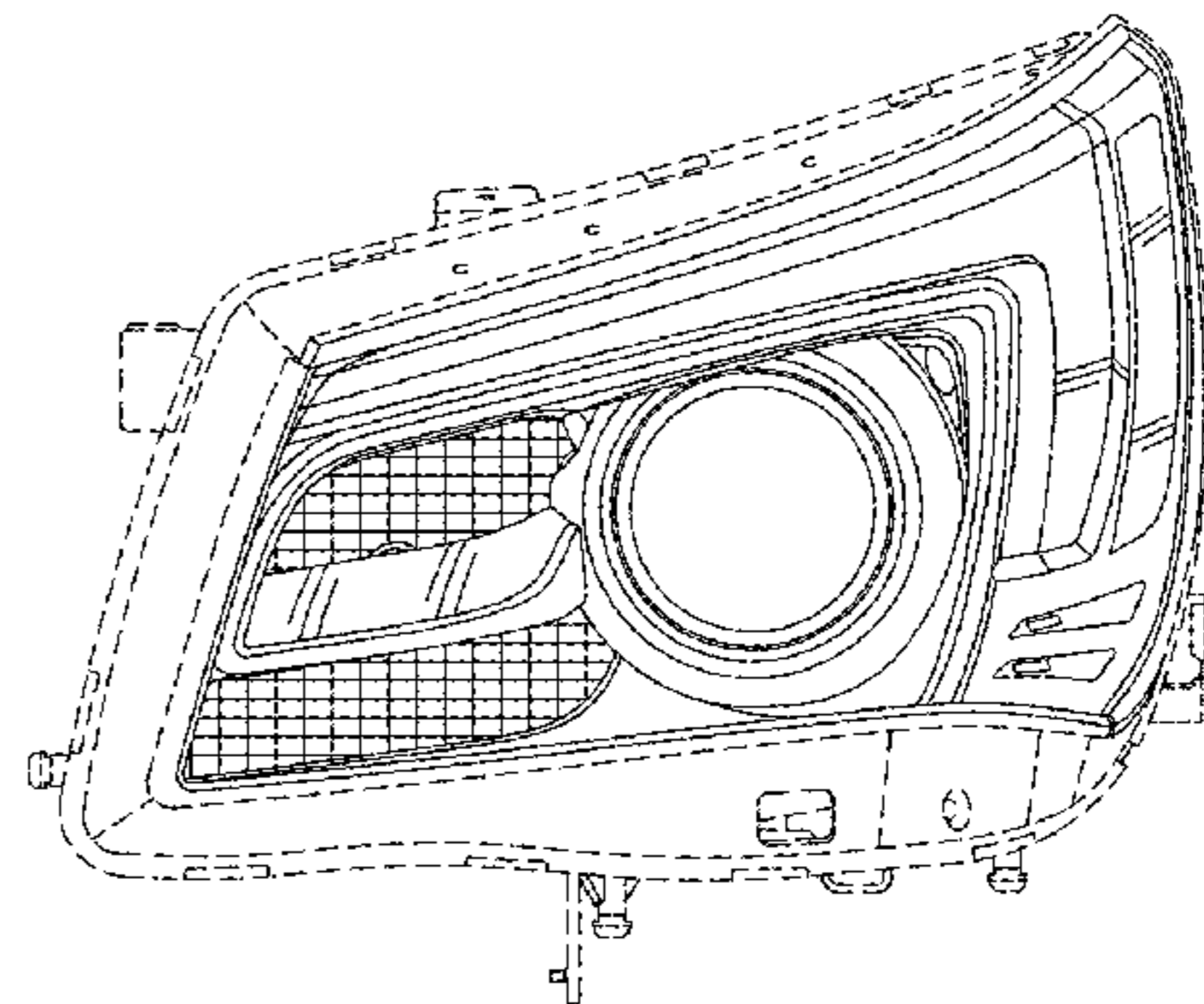
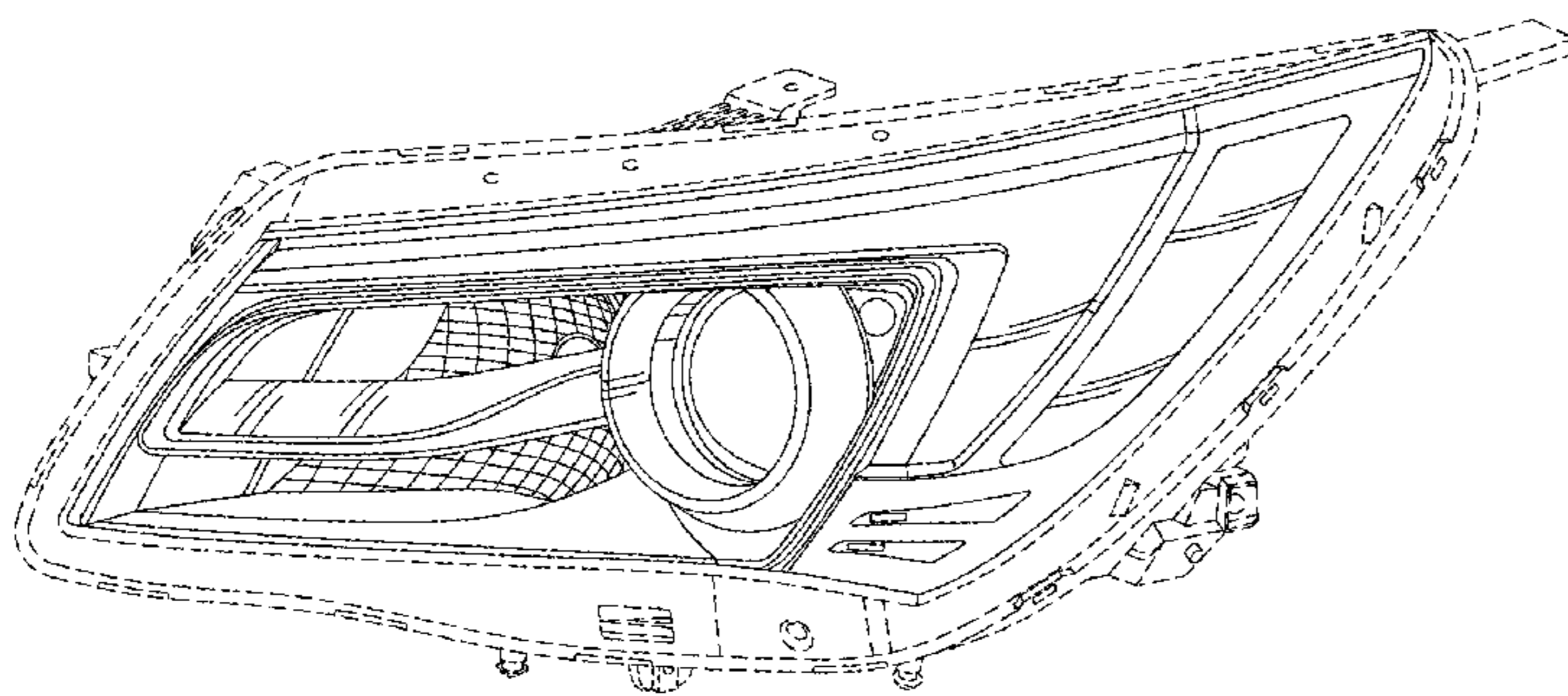
(57) **CLAIM**

The ornamental design for a vehicle front head lamp, as shown and described.

**DESCRIPTION**

FIG. 1 is a perspective view of a vehicle front head lamp showing the new design;  
FIG. 2 is a top view, thereof;  
FIG. 3 is a front view thereof; and,  
FIG. 4 is a side view thereof.  
The broken lines shown in the drawings illustrate portions of the vehicle front head lamp that form no part of claimed design.

**1 Claim, 2 Drawing Sheets**



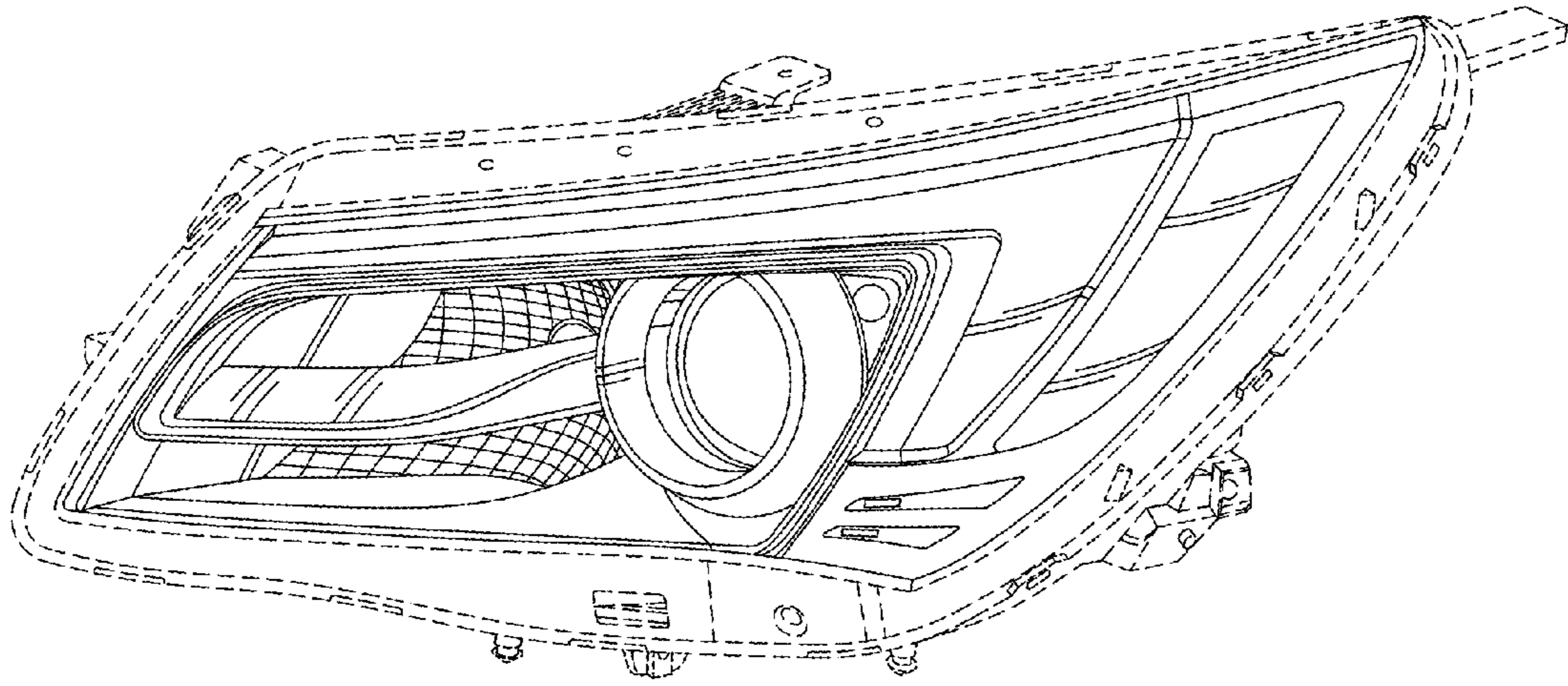


Fig-1

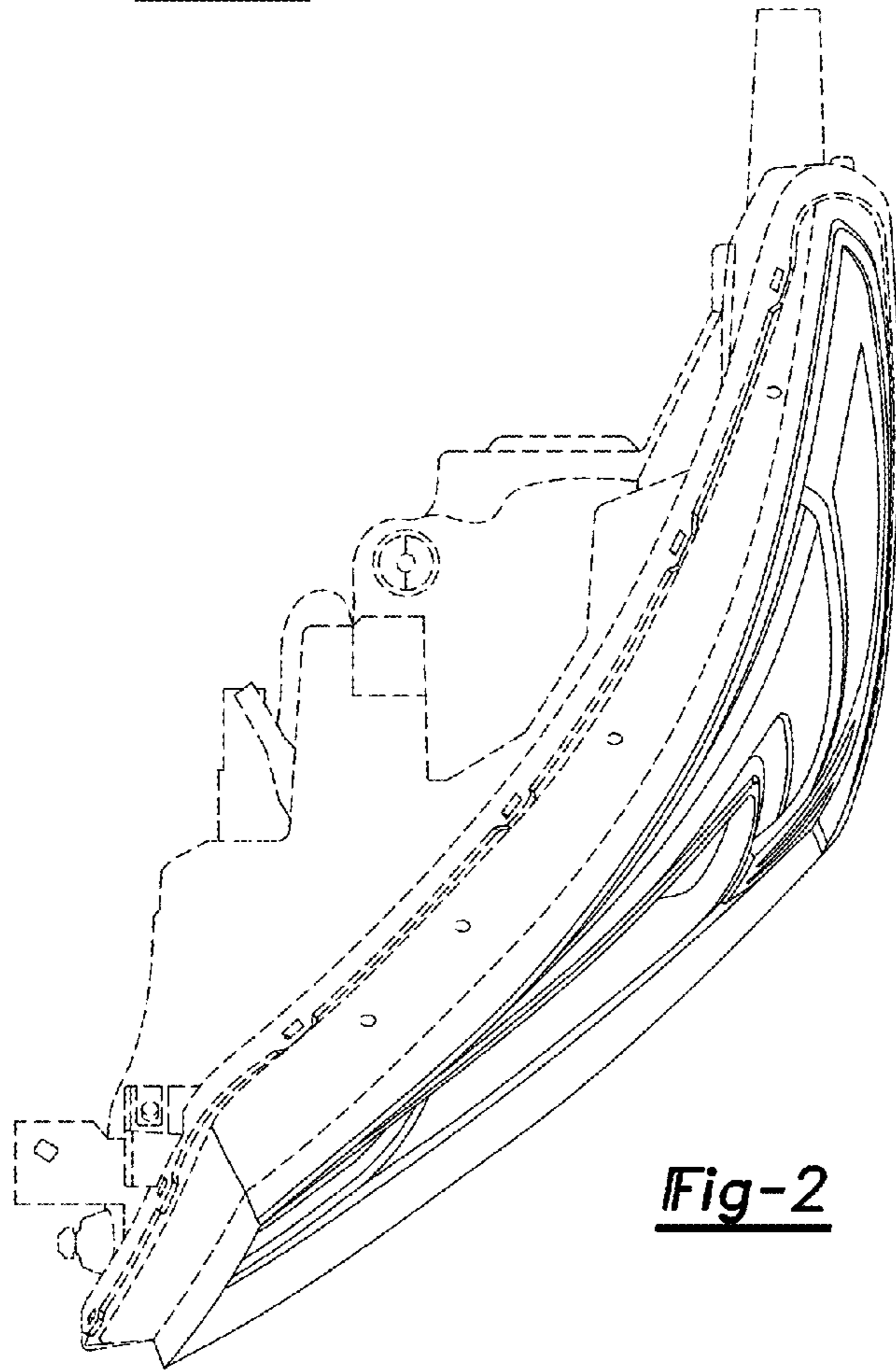


Fig-2

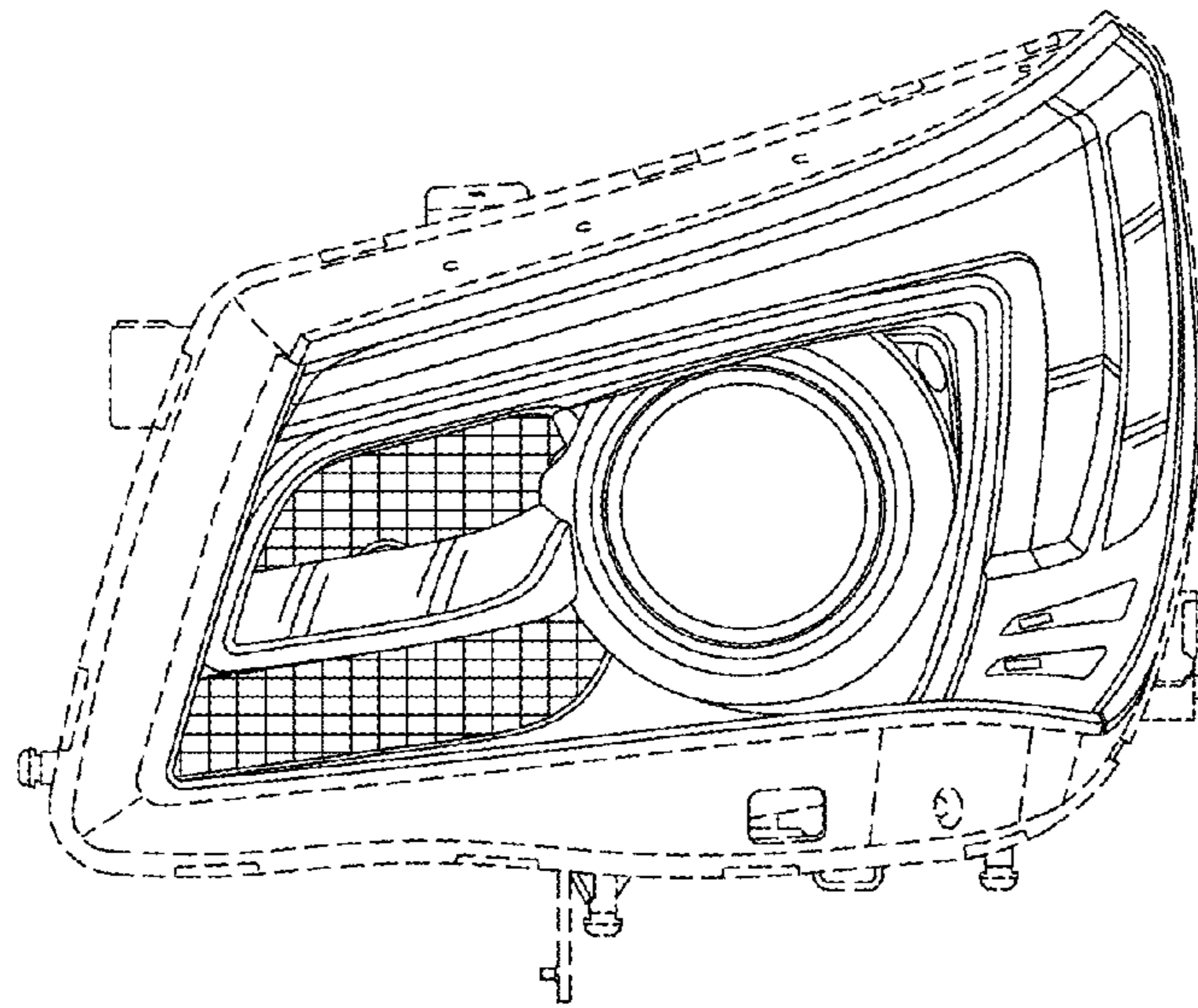


Fig-3

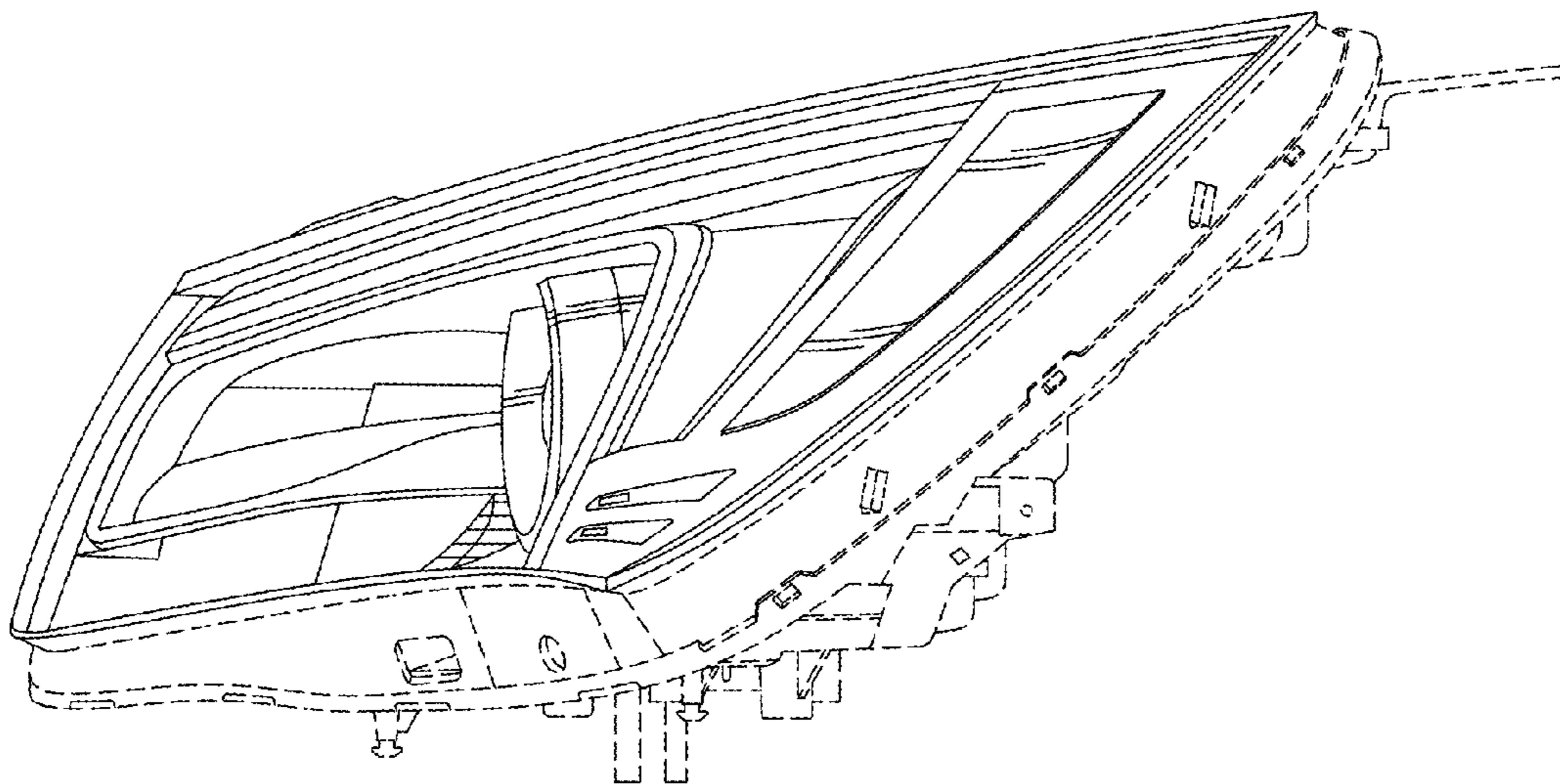


Fig-4