



US00D735918S

(12) **United States Design Patent**
Kamiura et al.

(10) **Patent No.:** **US D735,918 S**
(45) **Date of Patent:** **** Aug. 4, 2015**

- (54) **COMBINATION LAMP FOR AN AUTOMOBILE**
- (71) Applicants: **Shin Kamiura**, Toyota (JP); **Shin Miyata**, Nisshin (JP); **Yuri Kim**, Toyota (JP); **Shinji Sato**, Shizuoka (JP)
- (72) Inventors: **Shin Kamiura**, Toyota (JP); **Shin Miyata**, Nisshin (JP); **Yuri Kim**, Toyota (JP); **Shinji Sato**, Shizuoka (JP)

(73) Assignee: **Toyota Jidosha Kabushiki Kaisha** (JP)

(**) Term: **14 Years**

(21) Appl. No.: **29/482,949**

(22) Filed: **Feb. 24, 2014**

(30) **Foreign Application Priority Data**

Sep. 2, 2013 (JP) 2013-020187

(51) **LOC (10) Cl.** **26-06**

(52) **U.S. Cl.**
USPC **D26/28**

(58) **Field of Classification Search**
USPC D26/28–36, 139
CPC F21S 48/10; F21S 48/115; F21S 48/145;
F21S 48/1109; F21S 48/1168; F21S 48/1186
See application file for complete search history.

(56) **References Cited**

U.S. PATENT DOCUMENTS

D675,355 S *	1/2013	Sakai et al.	D26/28
D677,812 S *	3/2013	Nakamura	D26/28
D680,249 S *	4/2013	Iwai et al.	D26/28
D681,853 S *	5/2013	Behmer et al.	D26/28
D684,710 S *	6/2013	Chen et al.	D26/28
D689,637 S *	9/2013	Kim et al.	D26/28
D691,754 S *	10/2013	Chen et al.	D26/28
D697,243 S *	1/2014	Kitazumi	D26/28
D697,647 S *	1/2014	Wada	D26/28

D701,335 S *	3/2014	Jeong et al.	D26/28
D707,374 S *	6/2014	Kim et al.	D26/28
D708,363 S *	7/2014	Park et al.	D26/28
D708,770 S *	7/2014	Lai	D26/28
D710,044 S *	7/2014	Lai	D26/28
D712,078 S *	8/2014	Muntada Roura	D26/28
D717,976 S *	11/2014	Gueler et al.	D26/28
D723,723 S *	3/2015	Goto	D26/28

OTHER PUBLICATIONS

Lexus, Lexus LF-CC Concept (2012), netcarshow.com <http://www.netcarshow.com/lexus/2012-lf-cc_concept/> at <http://photo.netcarshow.com/Lexus-LF-CC_Concept_2012_photo_10.jpg>, available at least as early as May 31, 2013.
BMW, BMW 7-Series (2013), netcarshow.com <<http://www.netcarshow.com/bmw/2013-7-series/>> at <http://photo.netcarshow.com/BMW-7-Series_2013_photo_50.jpg>, available at least as early as May 31, 2013.

* cited by examiner

Primary Examiner — Clare E Heflin

(74) *Attorney, Agent, or Firm* — Saidman DesignLaw Group, LLC

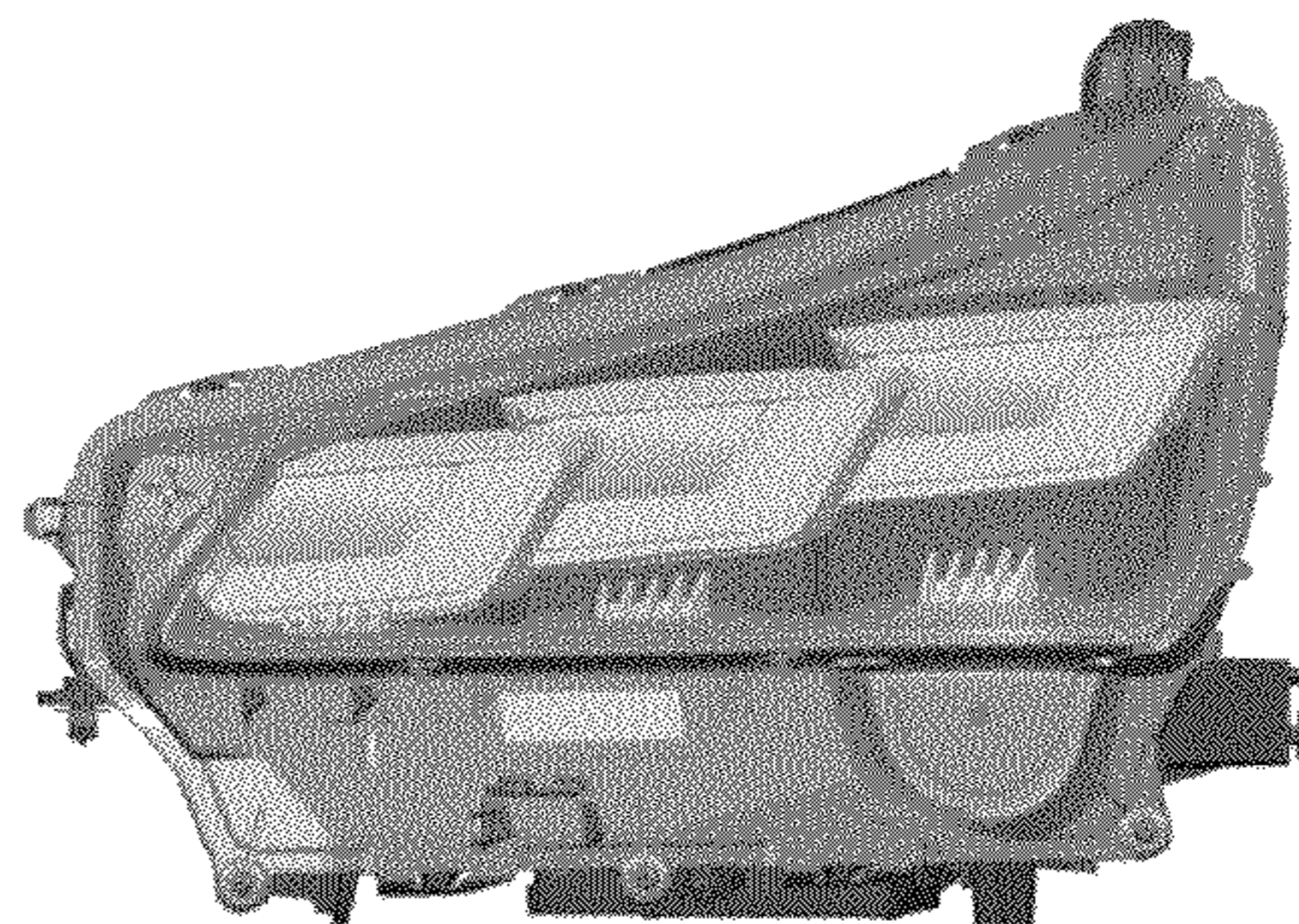
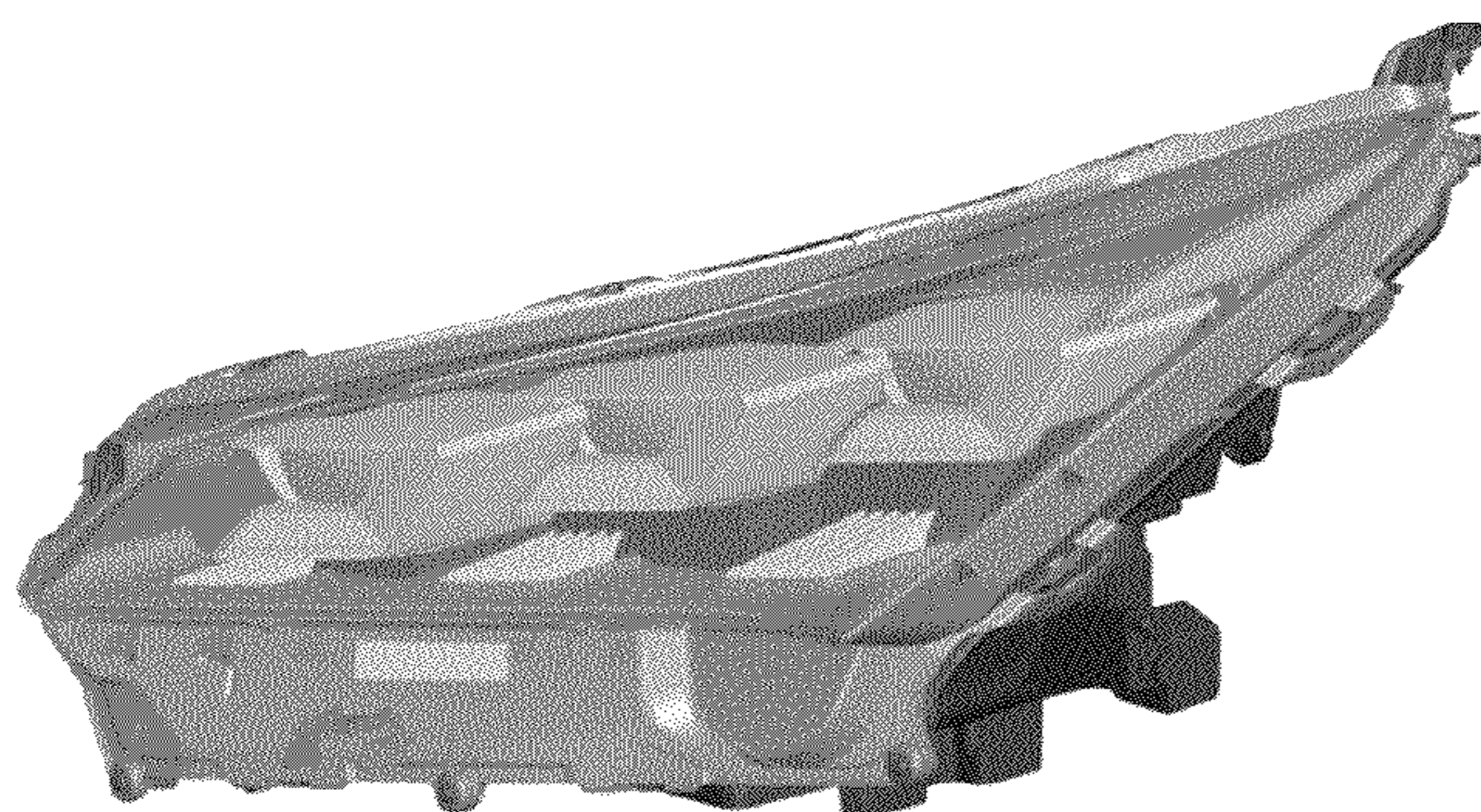
(57) **CLAIM**

The ornamental design for a combination lamp for an automobile, as shown and described.

DESCRIPTION

FIG. 1 is a perspective view of a combination lamp for an automobile showing our new design;
FIG. 2 is a front view thereof;
FIG. 3 is a rear view thereof;
FIG. 4 is a top view thereof;
FIG. 5 is a bottom view thereof;
FIG. 6 is a left side view thereof; and,
FIG. 7 is a right side view thereof.
The drawings include shadows and reflections which indicate contour, not surface ornamentation.

1 Claim, 3 Drawing Sheets



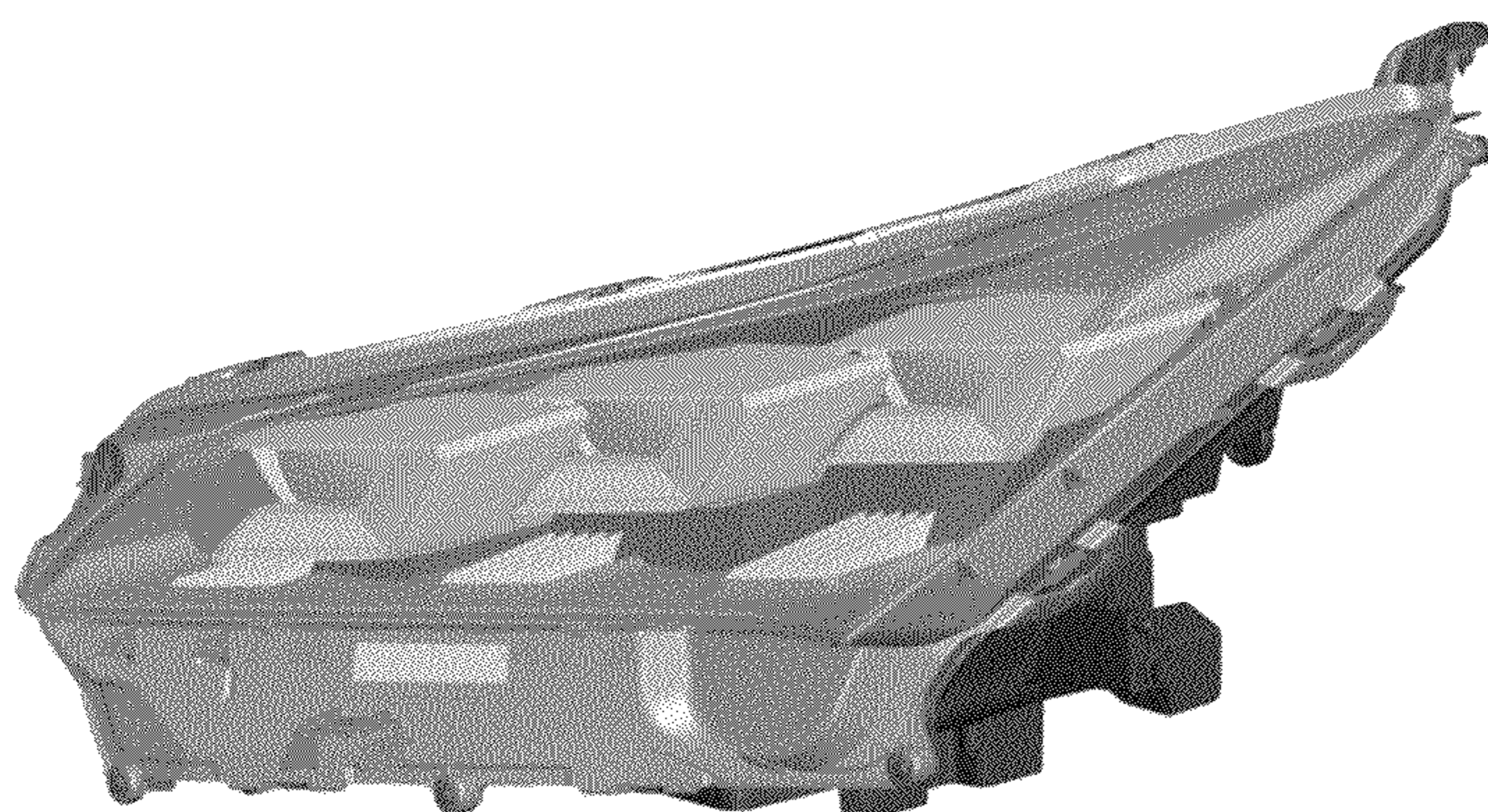


Fig. 1

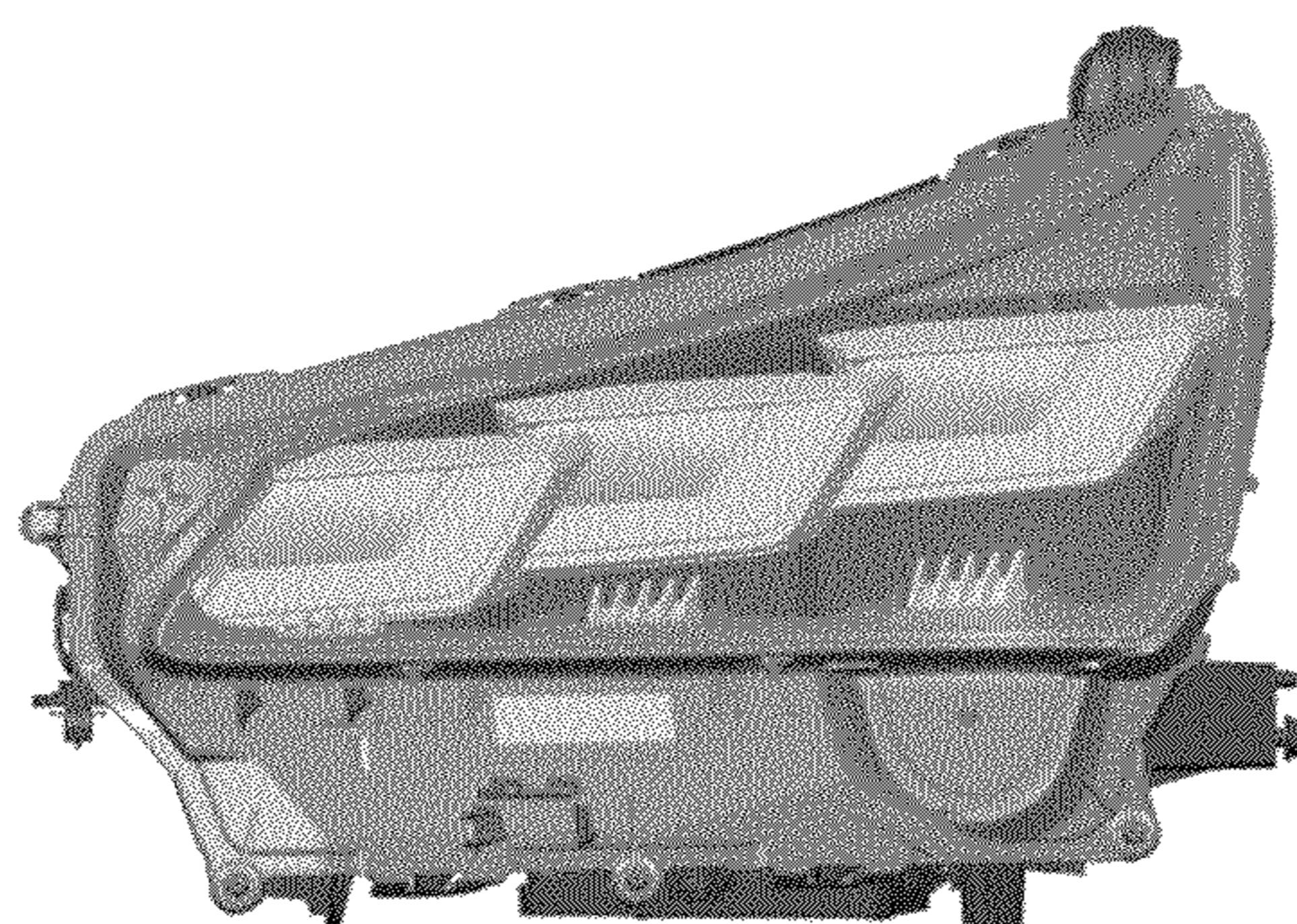


Fig. 2

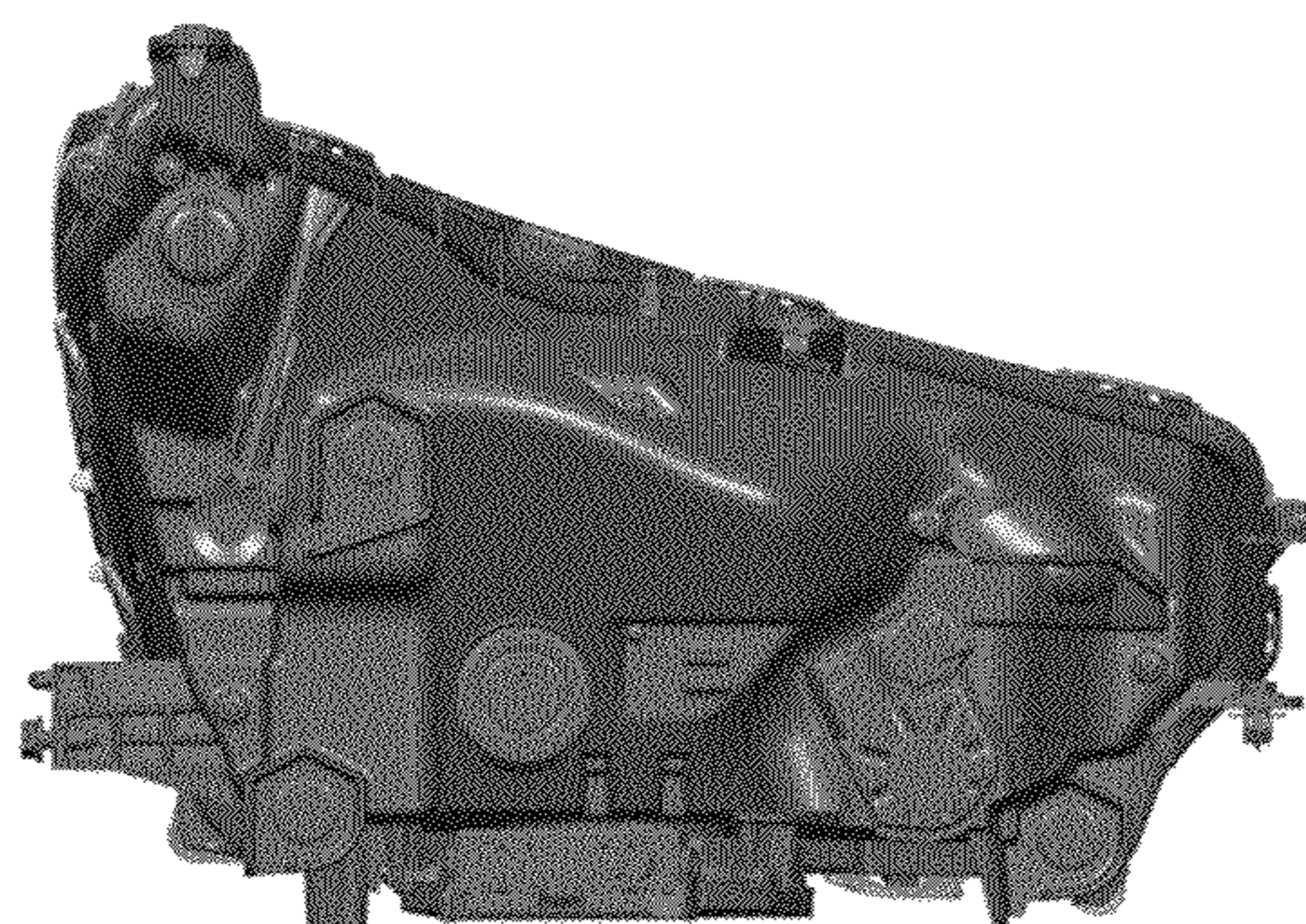


Fig. 3

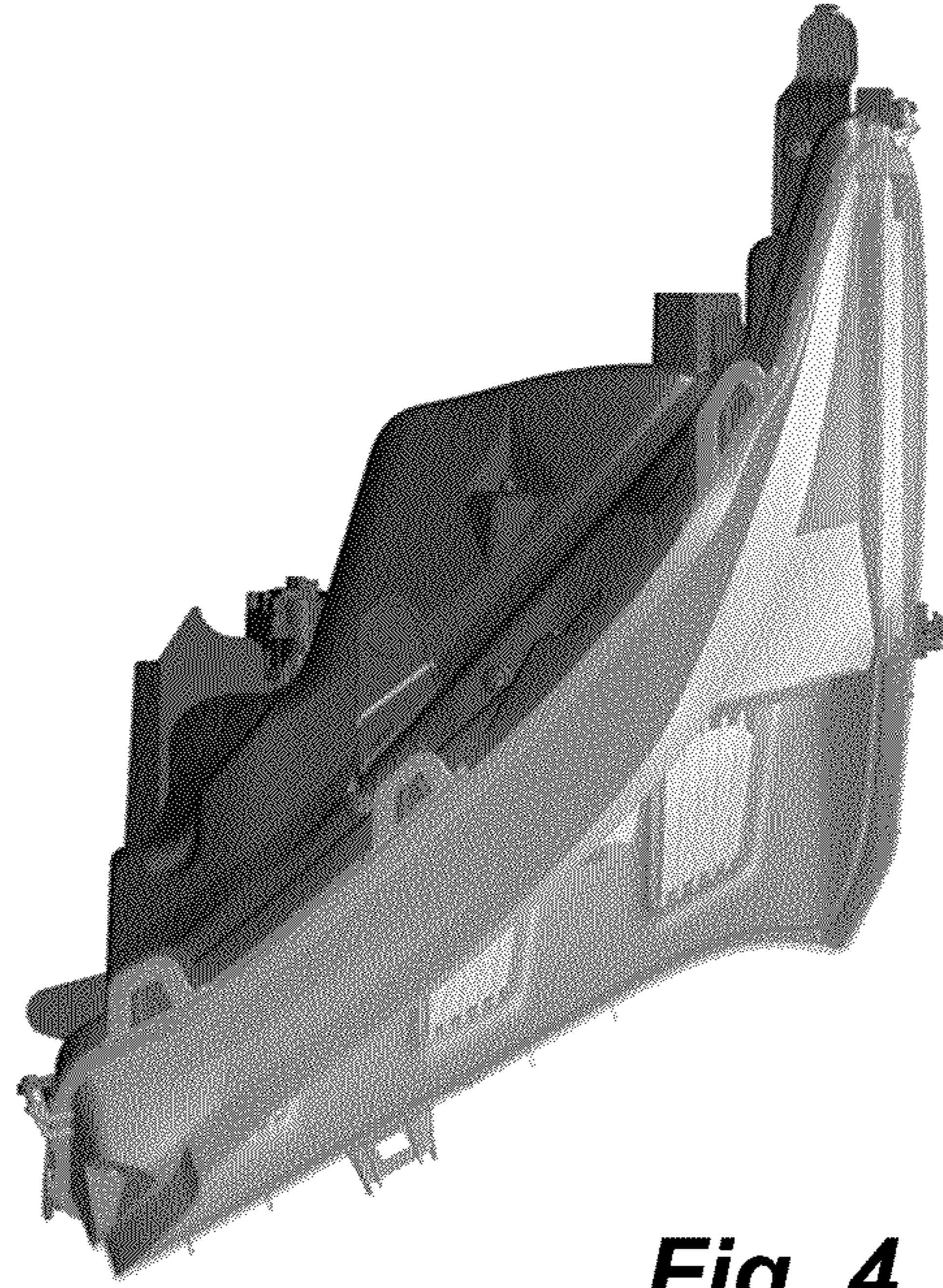


Fig. 4

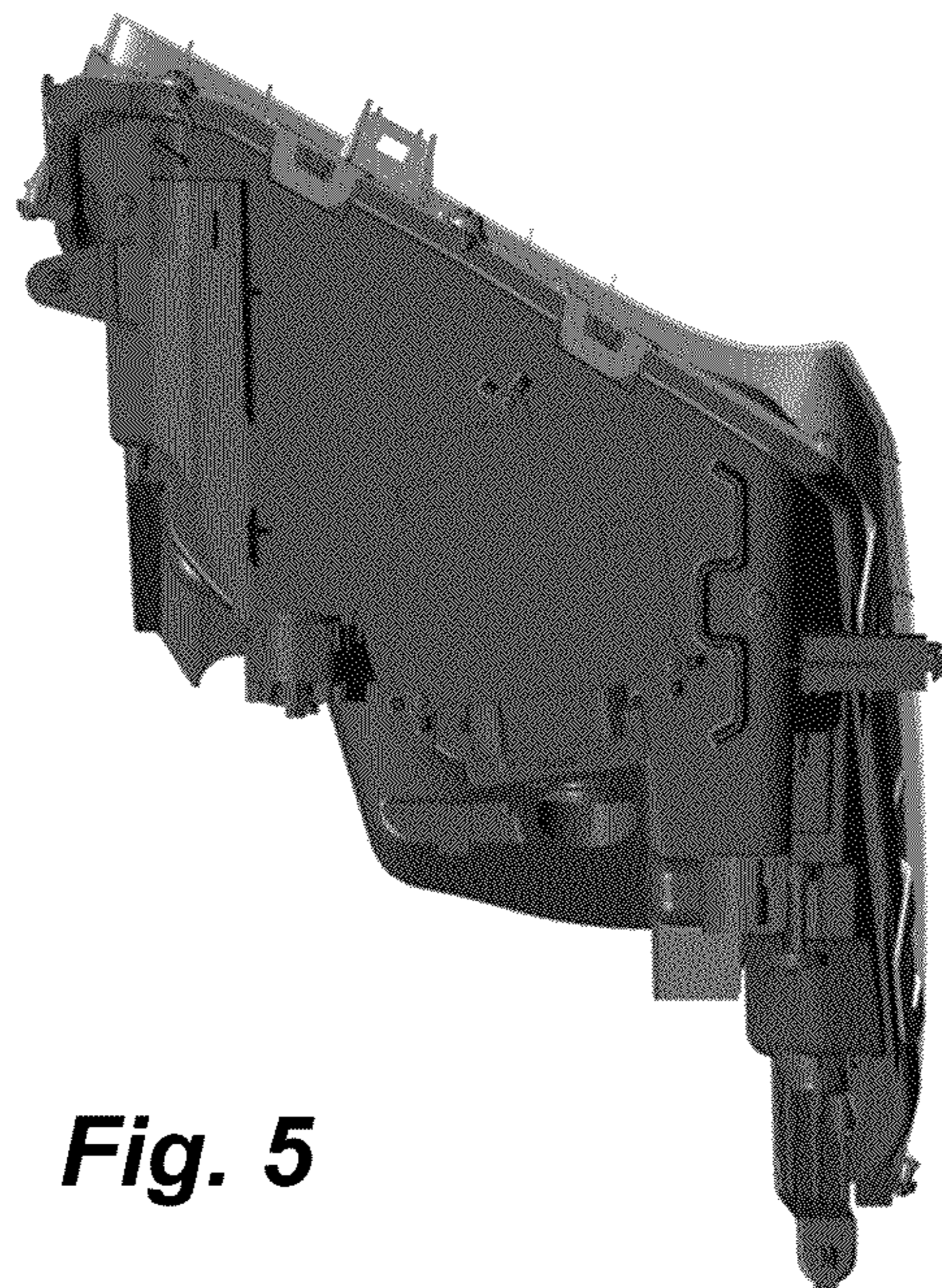


Fig. 5

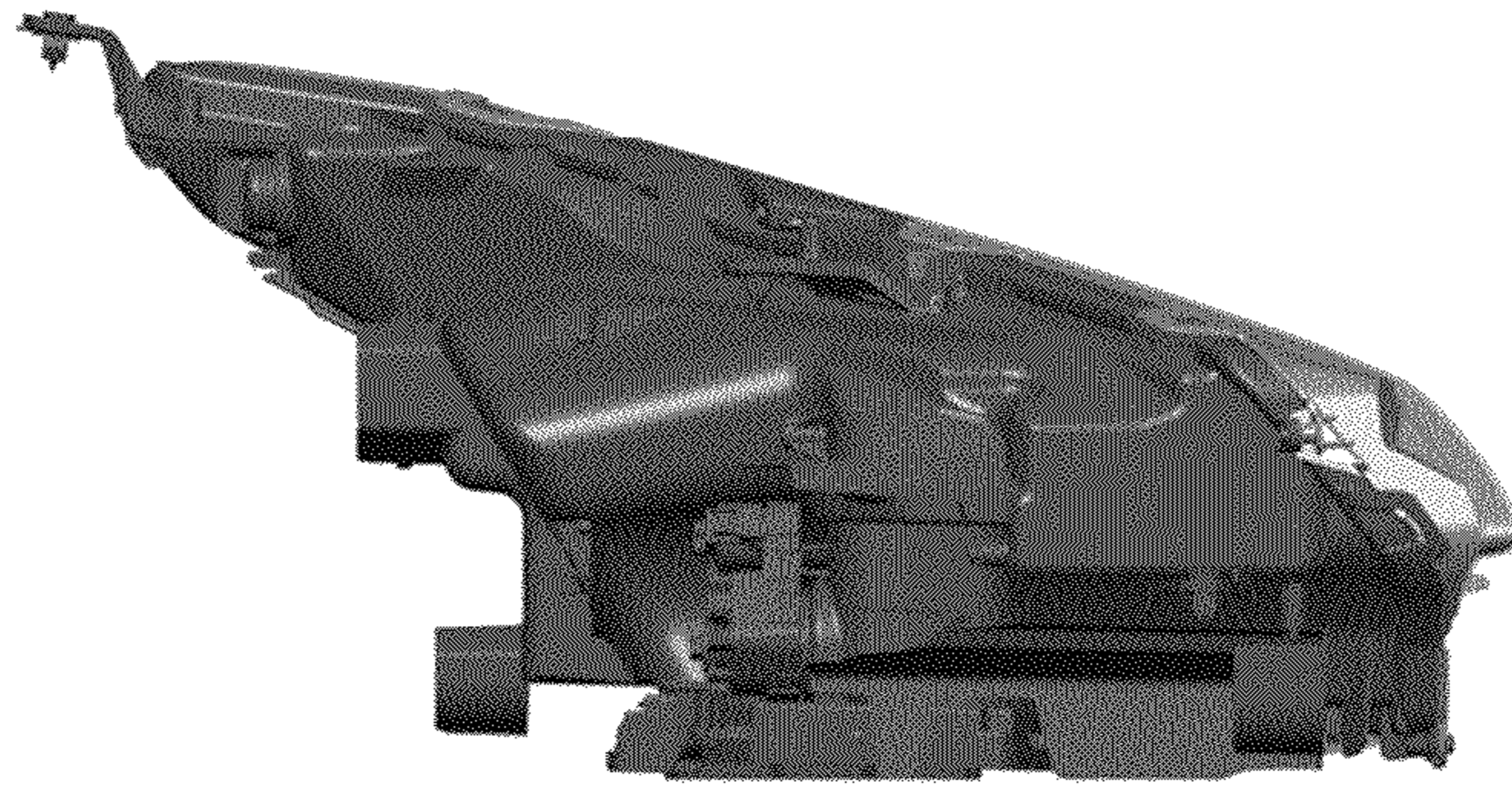


Fig. 6

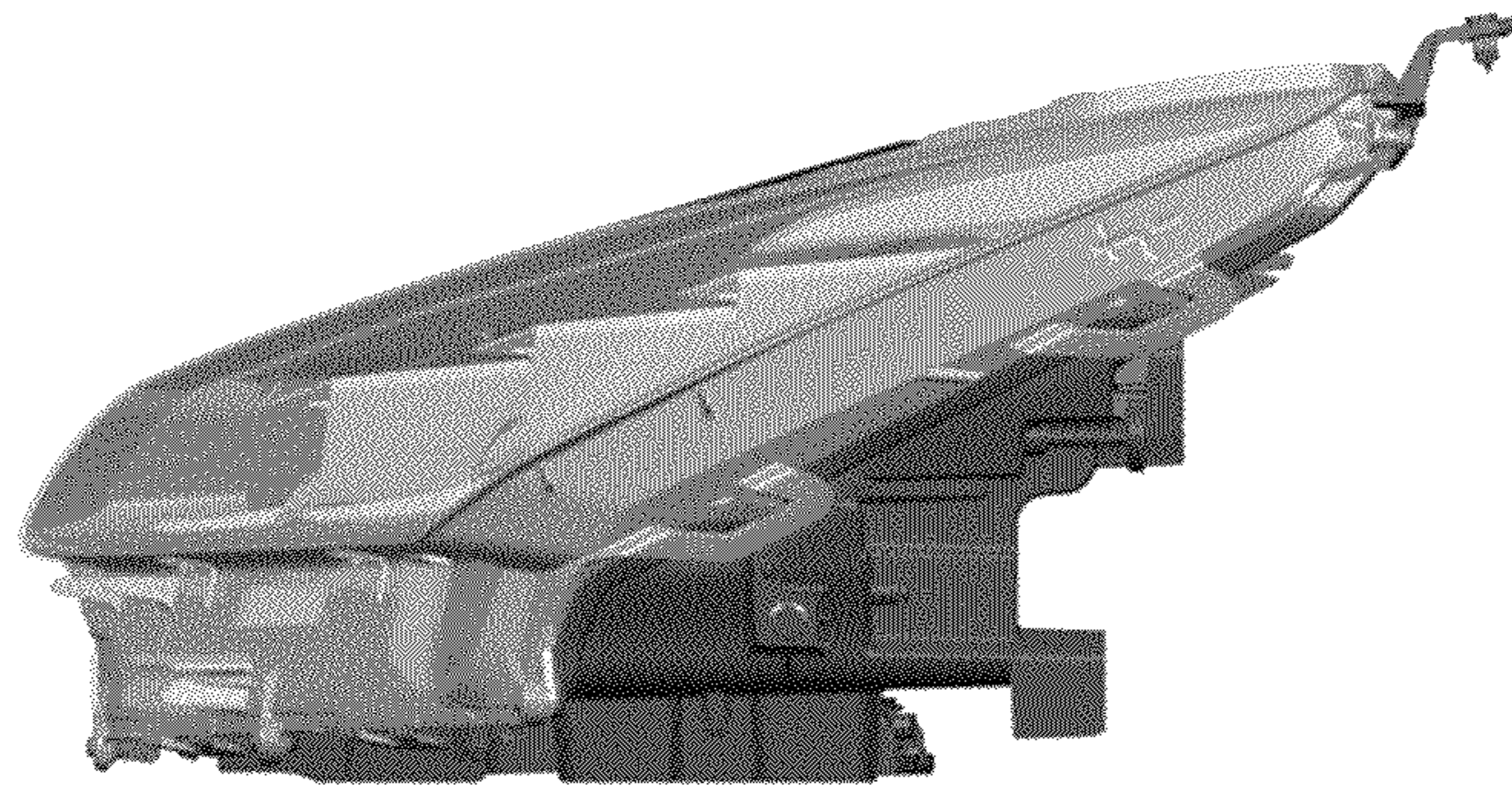


Fig. 7