



US00D735917S

(12) **United States Design Patent**
Grake et al.

(10) **Patent No.:** **US D735,917 S**

(45) **Date of Patent:** **** Aug. 4, 2015**

(54) **VEHICLE FOG LAMP**

(71) Applicant: **Ford Motor Company**, Dearborn, MI (US)

(72) Inventors: **James E. Grake**, Beverly Hills, MI (US); **George Bucher**, Dearborn, MI (US); **Michael Smith**, Plymouth, MI (US); **Joel Piaskowski**, West Bloomfield, MI (US)

(73) Assignee: **Ford Motor Company**, Dearborn, MI (US)

(**) Term: **14 Years**

(21) Appl. No.: **29/482,400**

(22) Filed: **Feb. 18, 2014**

(51) **LOC (10) Cl.** **26-06**

(52) **U.S. Cl.**
USPC **D26/28**

(58) **Field of Classification Search**
USPC D26/28-36, 139
CPC F21S 48/10; F21S 48/115; F21S 48/145;
F21S 48/1109; F21S 48/1168; F21S 48/1186
See application file for complete search history.

(56) **References Cited**

U.S. PATENT DOCUMENTS

D220,120	S	*	3/1971	Stewart	D26/35
D228,668	S	*	10/1973	Weber et al.	D26/35
D308,422	S	*	6/1990	Sasamura	D26/35
D343,916	S	*	2/1994	King et al.	D26/35
D591,872	S	*	5/2009	Varga	D26/28
D592,777	S	*	5/2009	George et al.	D26/28
D716,479	S	*	10/2014	Sperling et al.	D26/28

* cited by examiner

Primary Examiner — Clare E Heflin

(74) *Attorney, Agent, or Firm* — Damian Porcari

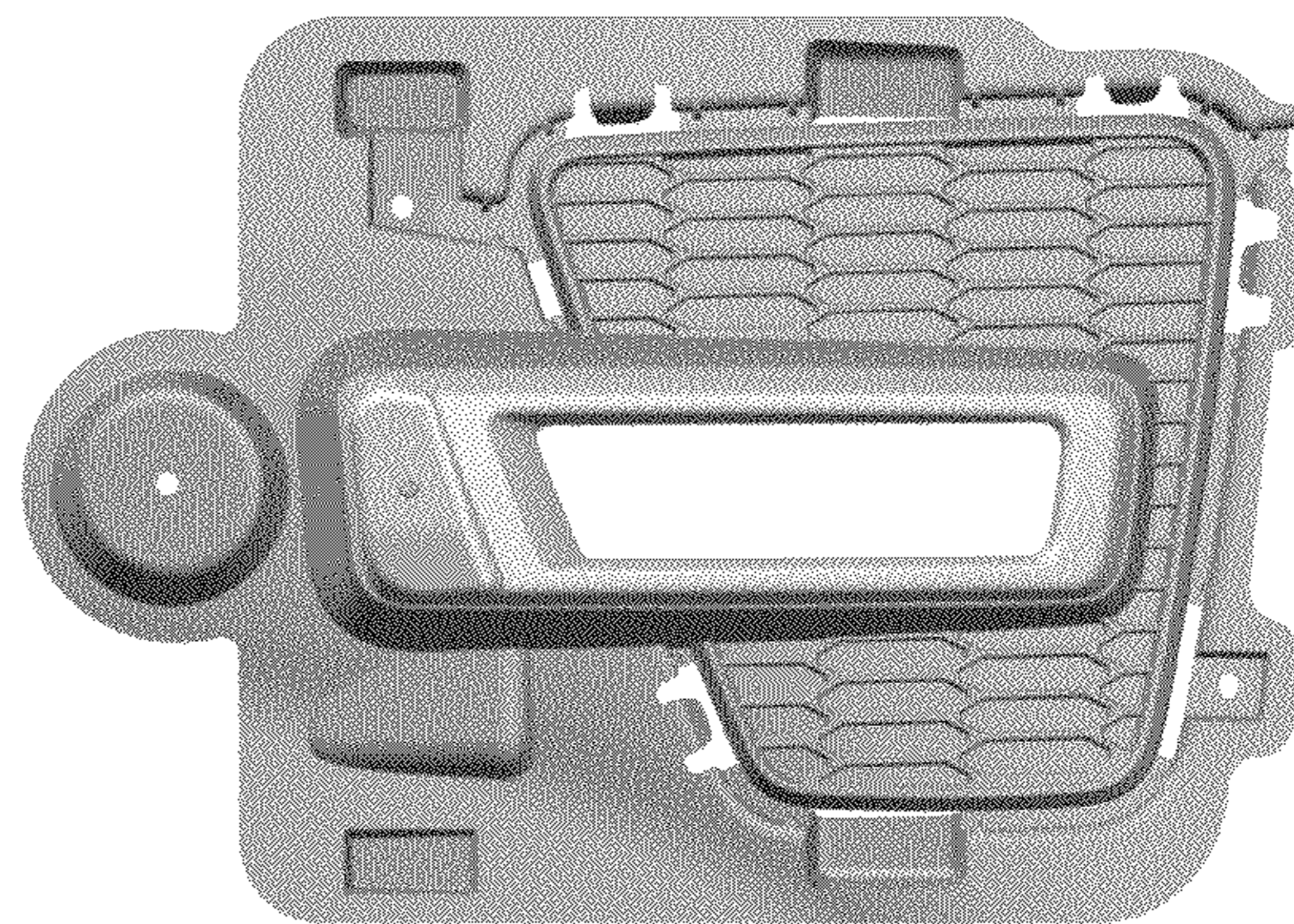
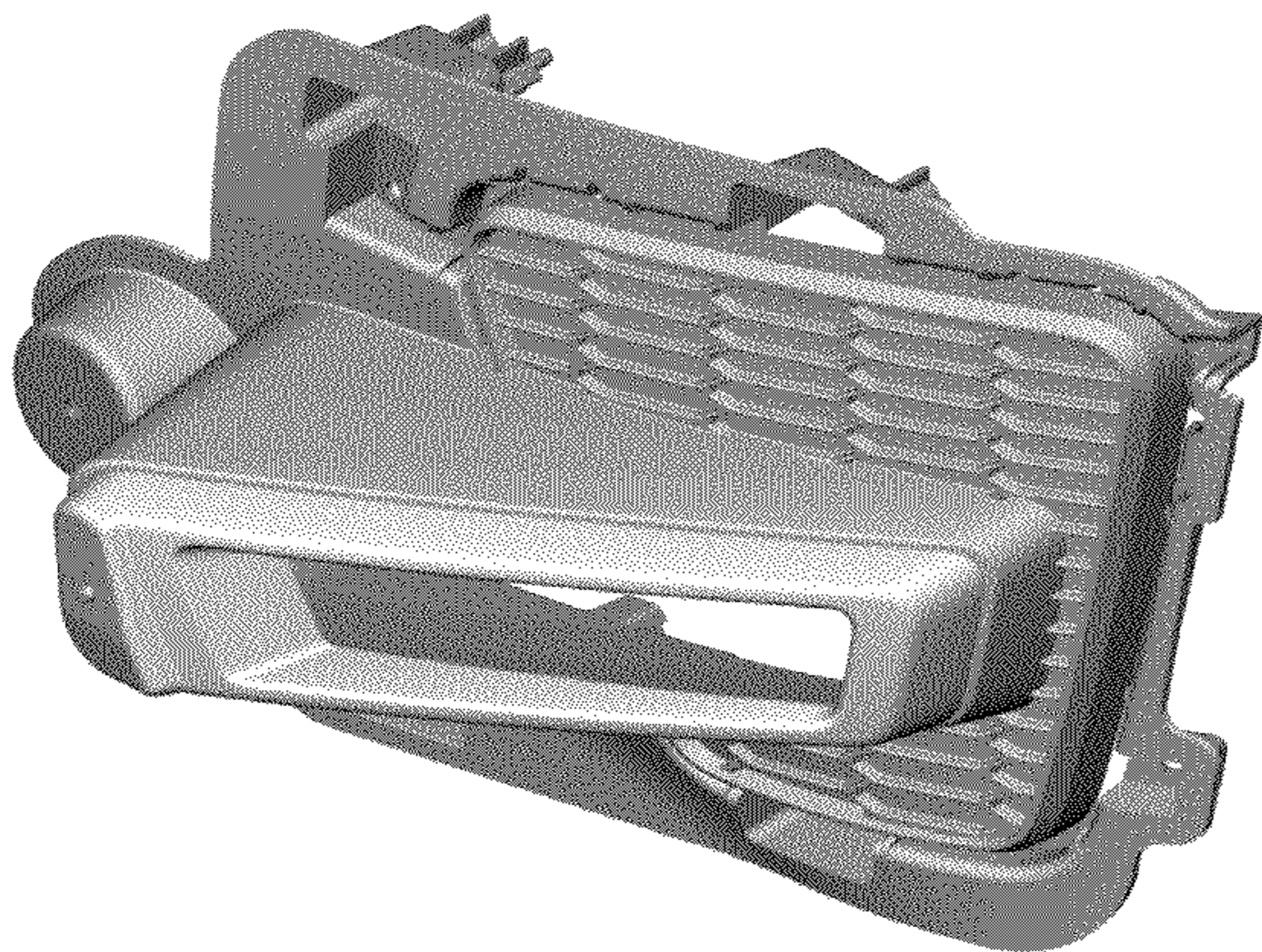
(57) **CLAIM**

The ornamental design for a vehicle fog lamp, as shown and described.

DESCRIPTION

FIG. 1 is a perspective view of a left vehicle fog lamp (the right vehicle fog lamp being a mirror image and is not shown); FIG. 2 is another perspective view thereof; FIG. 3 is a front elevational view thereof; FIG. 4 is a left side elevational view thereof; FIG. 5 is a right side elevational view thereof; FIG. 6 is a top plan view thereof; and, FIG. 7 is a bottom plan view thereof.

1 Claim, 7 Drawing Sheets



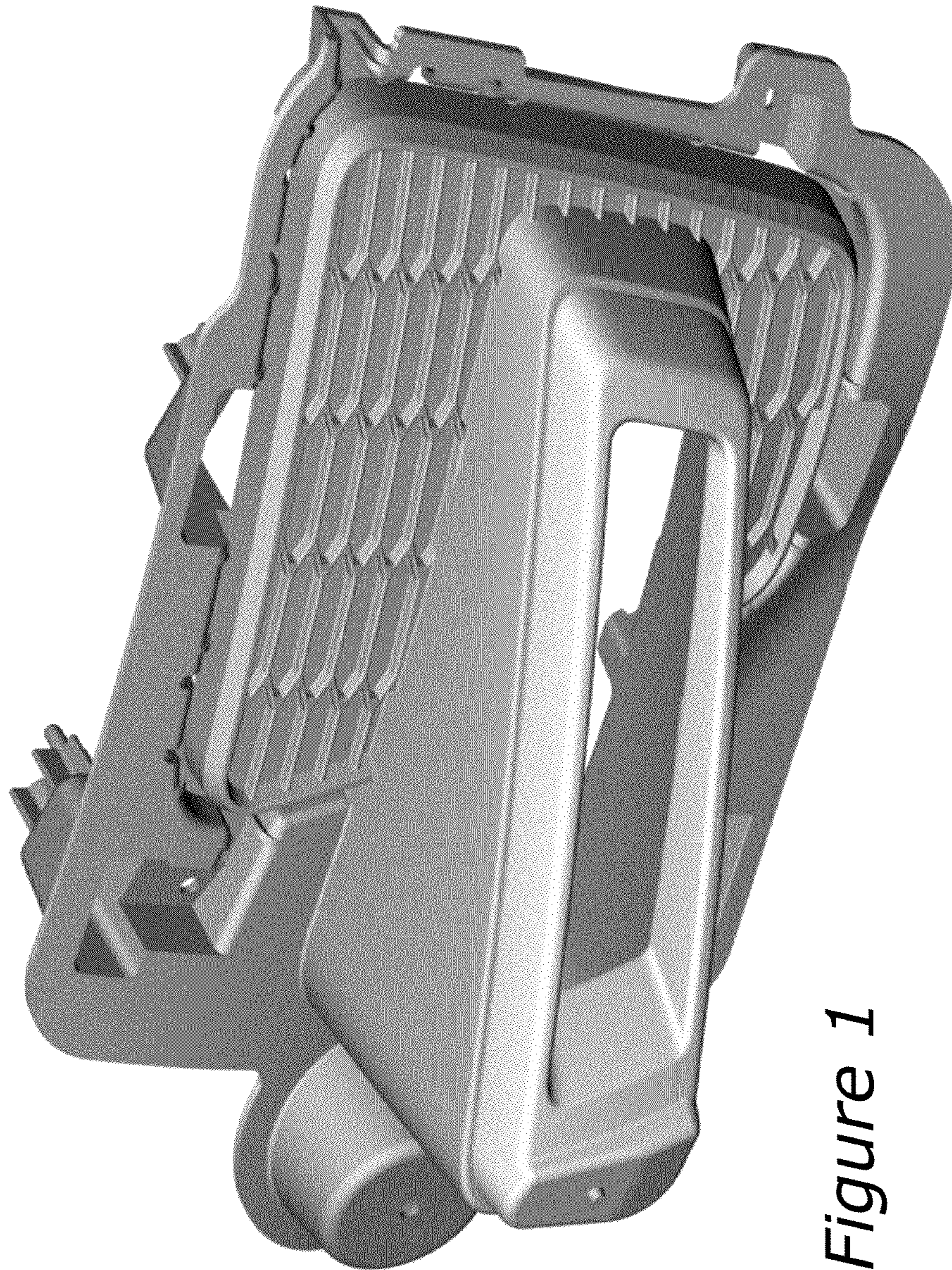


Figure 1

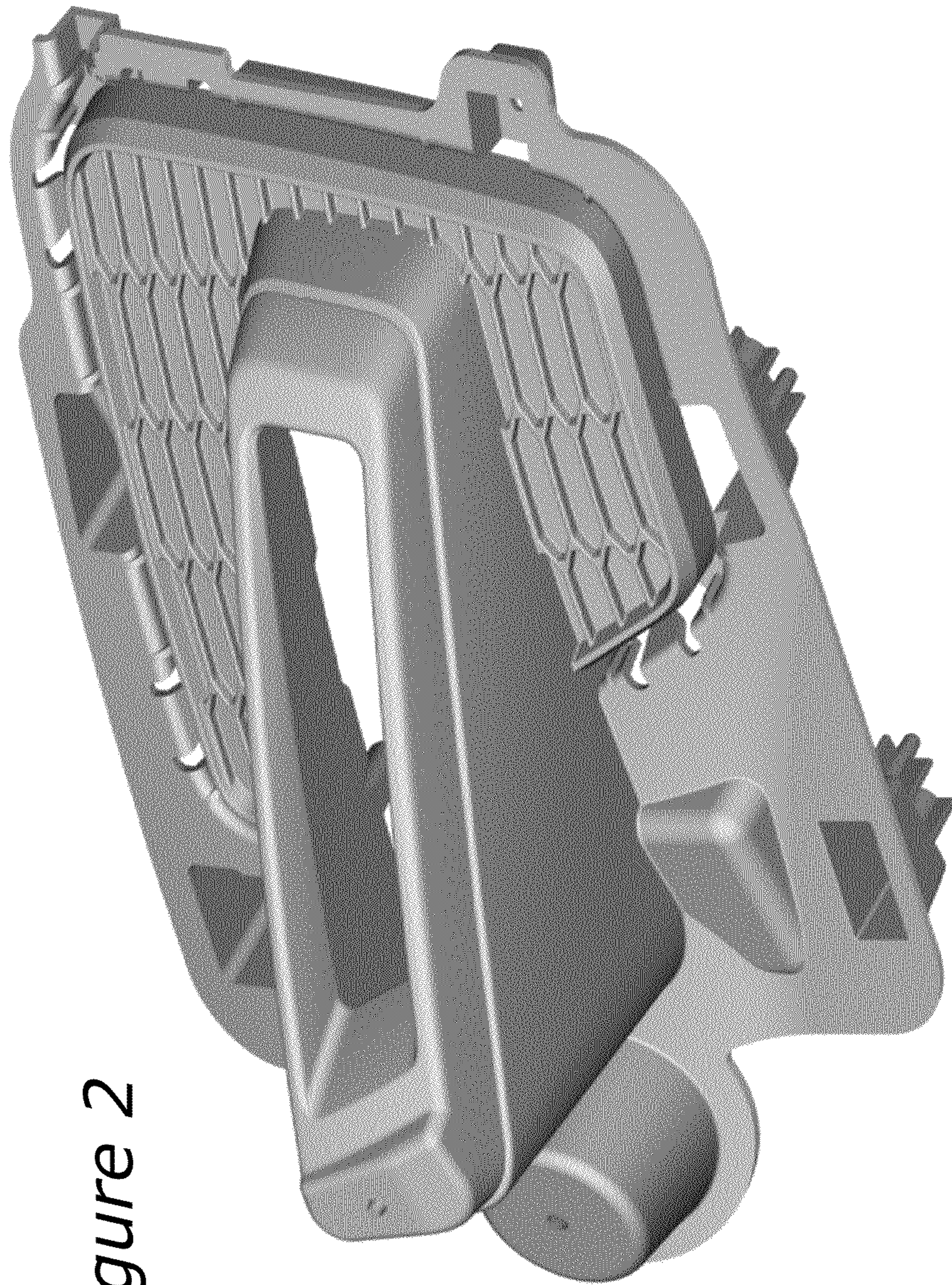


Figure 2

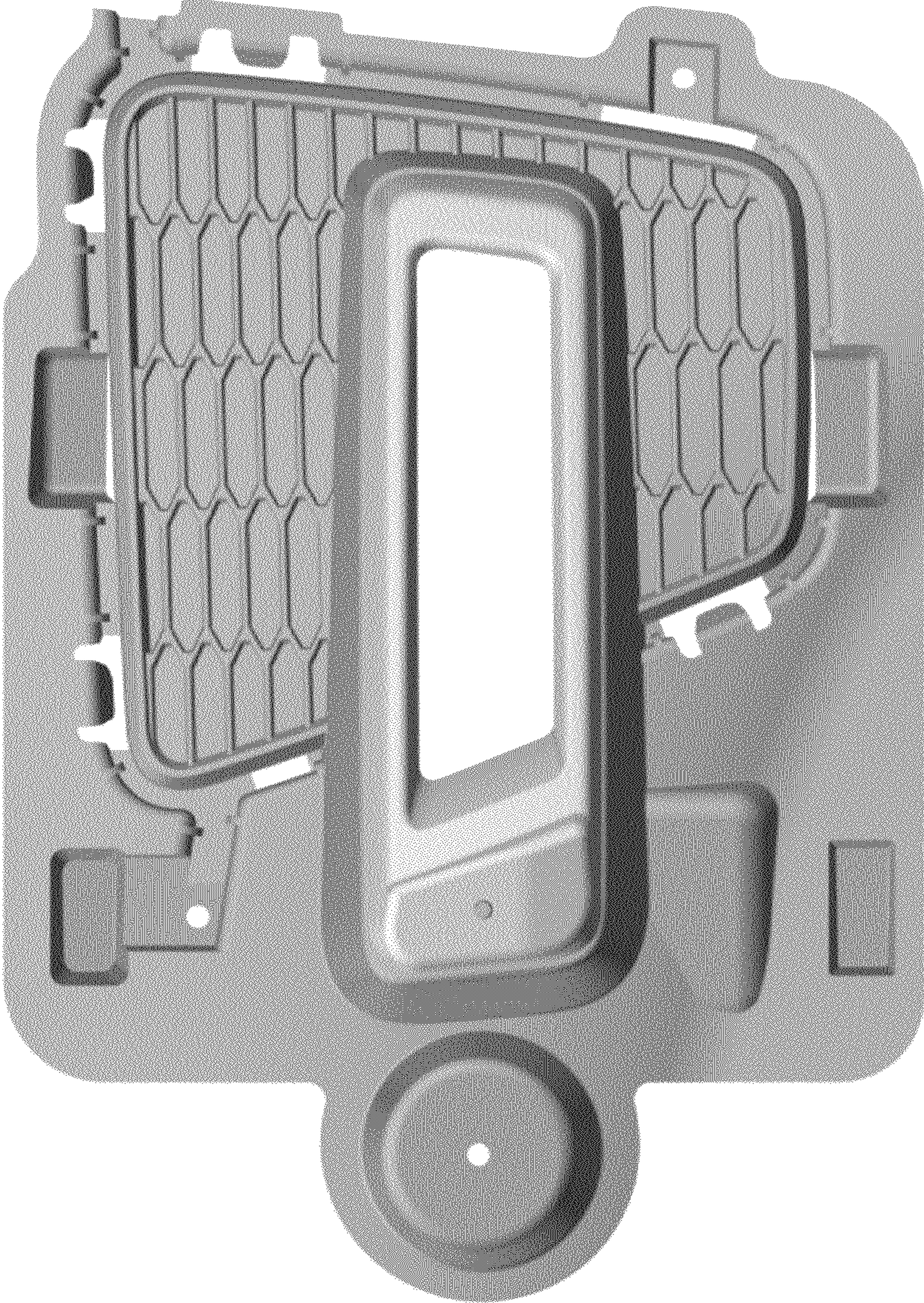


Figure 3

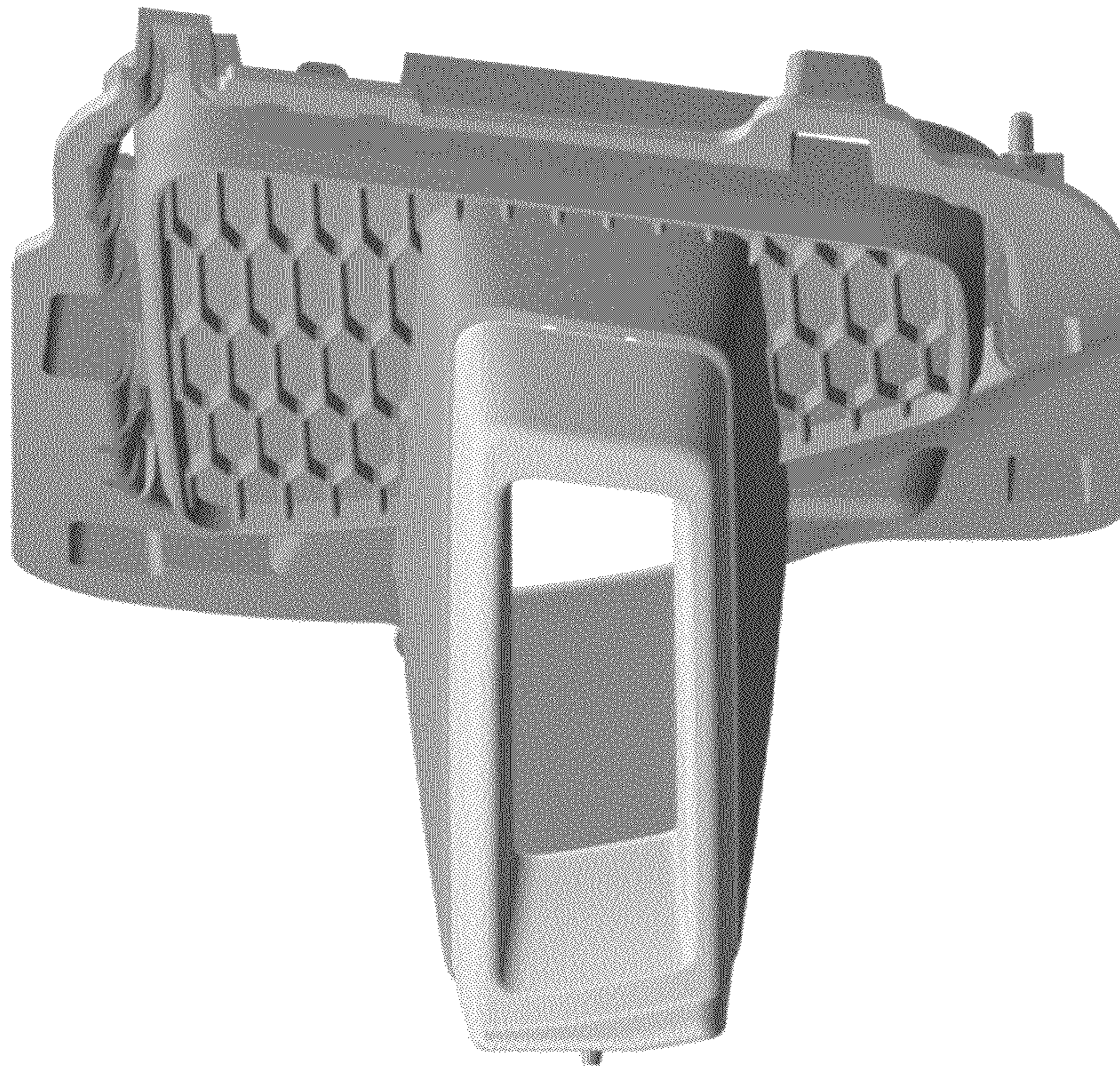


Figure 4

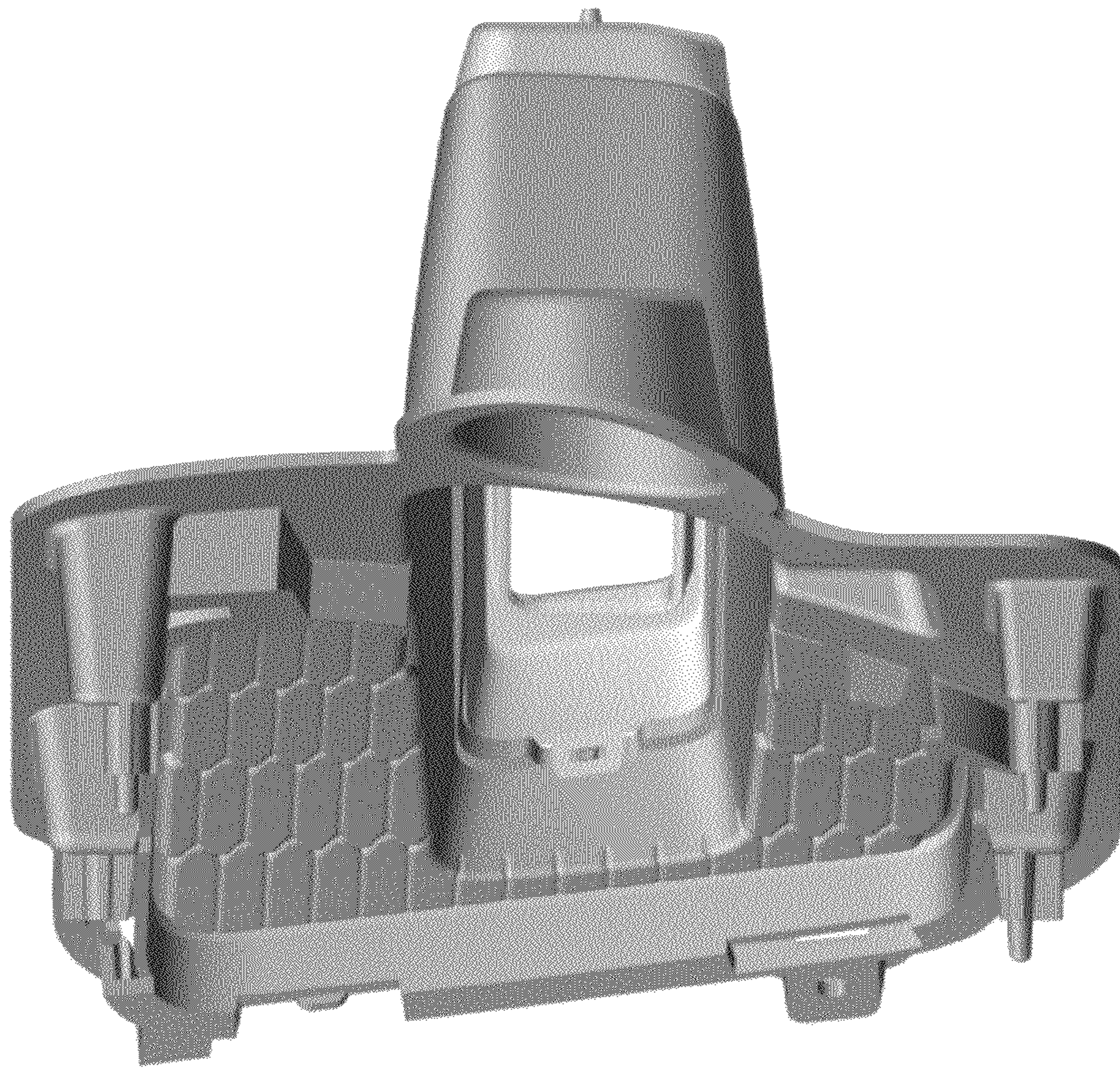


Figure 5



Figure 6

Figure 7

