



US00D735916S

(12) **United States Design Patent**
Grake et al.

(10) **Patent No.:** **US D735,916 S**

(45) **Date of Patent:** **** Aug. 4, 2015**

(54) **VEHICLE HEADLAMP**

(71) Applicant: **Ford Motor Company**, Dearborn, MI (US)

(72) Inventors: **James E. Grake**, Beverly Hills, MI (US); **George Bucher**, Dearborn, MI (US); **Michael Smith**, Plymouth, MI (US); **Joel Piaskowski**, West Bloomfield, MI (US)

(73) Assignee: **Ford Motor Company**, Dearborn, MI (US)

(**) Term: **14 Years**

(21) Appl. No.: **29/482,390**

(22) Filed: **Feb. 18, 2014**

(51) **LOC (10) Cl.** **26-06**

(52) **U.S. Cl.**
USPC **D26/28**

(58) **Field of Classification Search**
USPC D26/28-36, 139
CPC F21S 48/10; F21S 48/115; F21S 48/145;
F21S 48/1109; F21S 48/1168; F21S 48/1186
See application file for complete search history.

(56) **References Cited**

U.S. PATENT DOCUMENTS

D547,472 S *	7/2007	Tant et al.	D26/28
D563,575 S *	3/2008	Gresens et al.	D26/28
D637,324 S *	5/2011	Yang	D26/28
D691,309 S *	10/2013	Lai	D26/28
D695,934 S *	12/2013	Lai	D26/28
D706,470 S *	6/2014	Lai	D26/28
D707,862 S *	6/2014	Lai	D26/28
D708,365 S *	7/2014	Platto et al.	D26/28
D714,977 S *	10/2014	Lee et al.	D26/28

* cited by examiner

Primary Examiner — Clare E Heflin

(74) *Attorney, Agent, or Firm* — Damian Porcari

(57) **CLAIM**

The ornamental design for a vehicle headlamp, as shown and described.

DESCRIPTION

FIG. 1 is a perspective view of a left vehicle headlamp (the right vehicle headlamp being a mirror image and is not shown);

FIG. 2 is another perspective view thereof;

FIG. 3 is a front elevational view thereof;

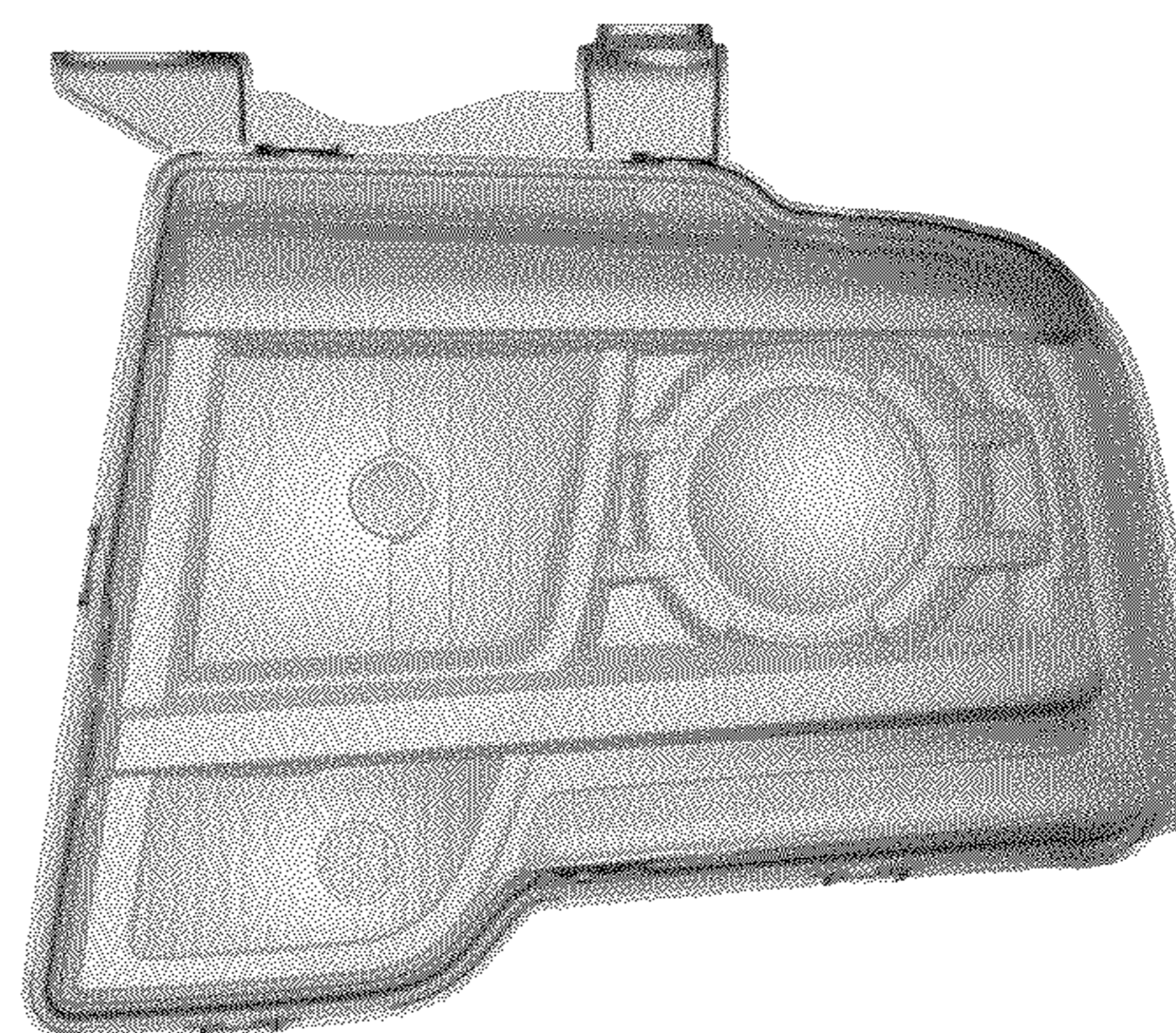
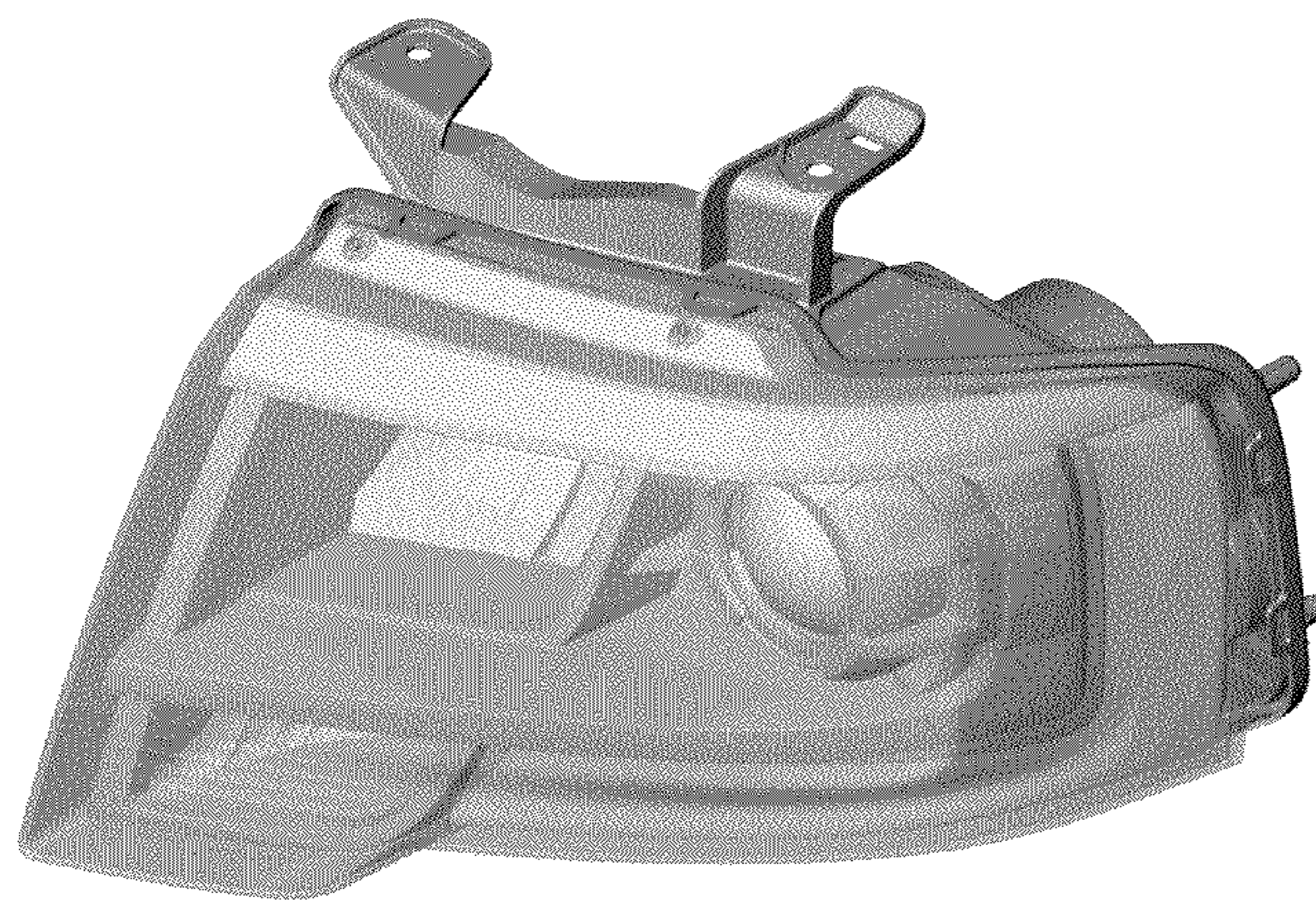
FIG. 4 is a left side elevational view thereof;

FIG. 5 is a right side elevational view thereof;

FIG. 6 is a top plan view thereof; and,

FIG. 7 is a bottom plan view thereof.

1 Claim, 7 Drawing Sheets



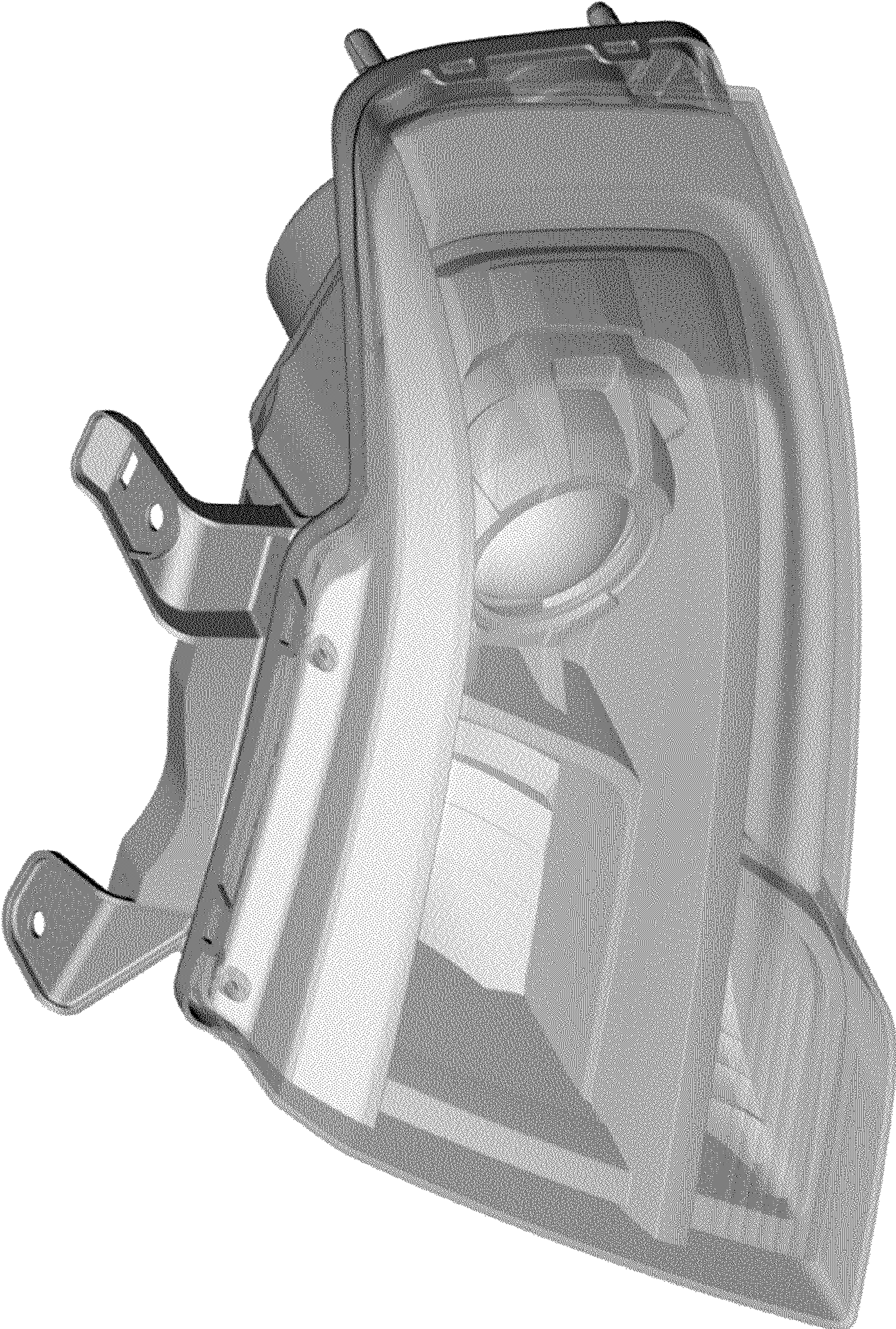


Figure 1

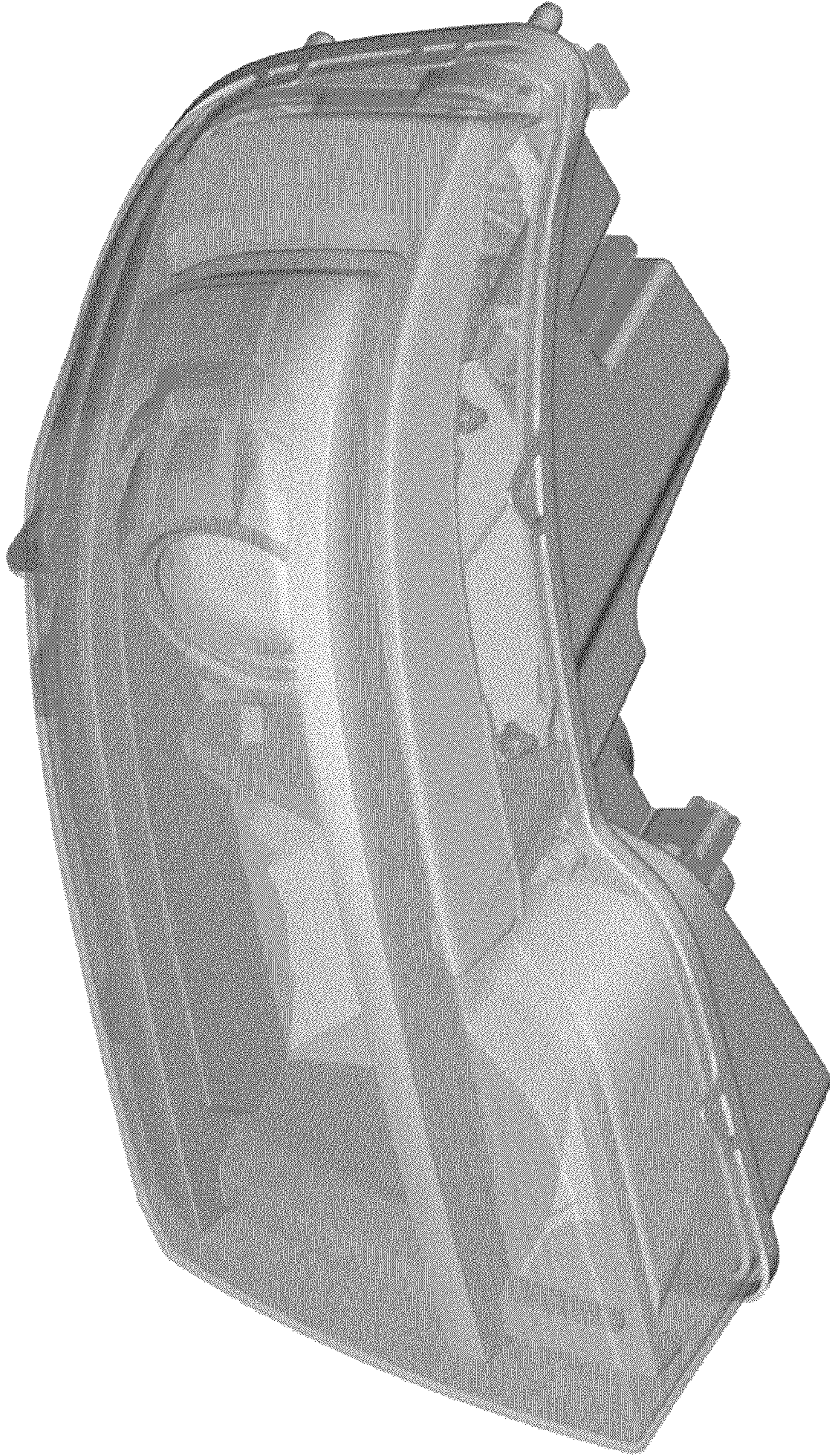


Figure 2

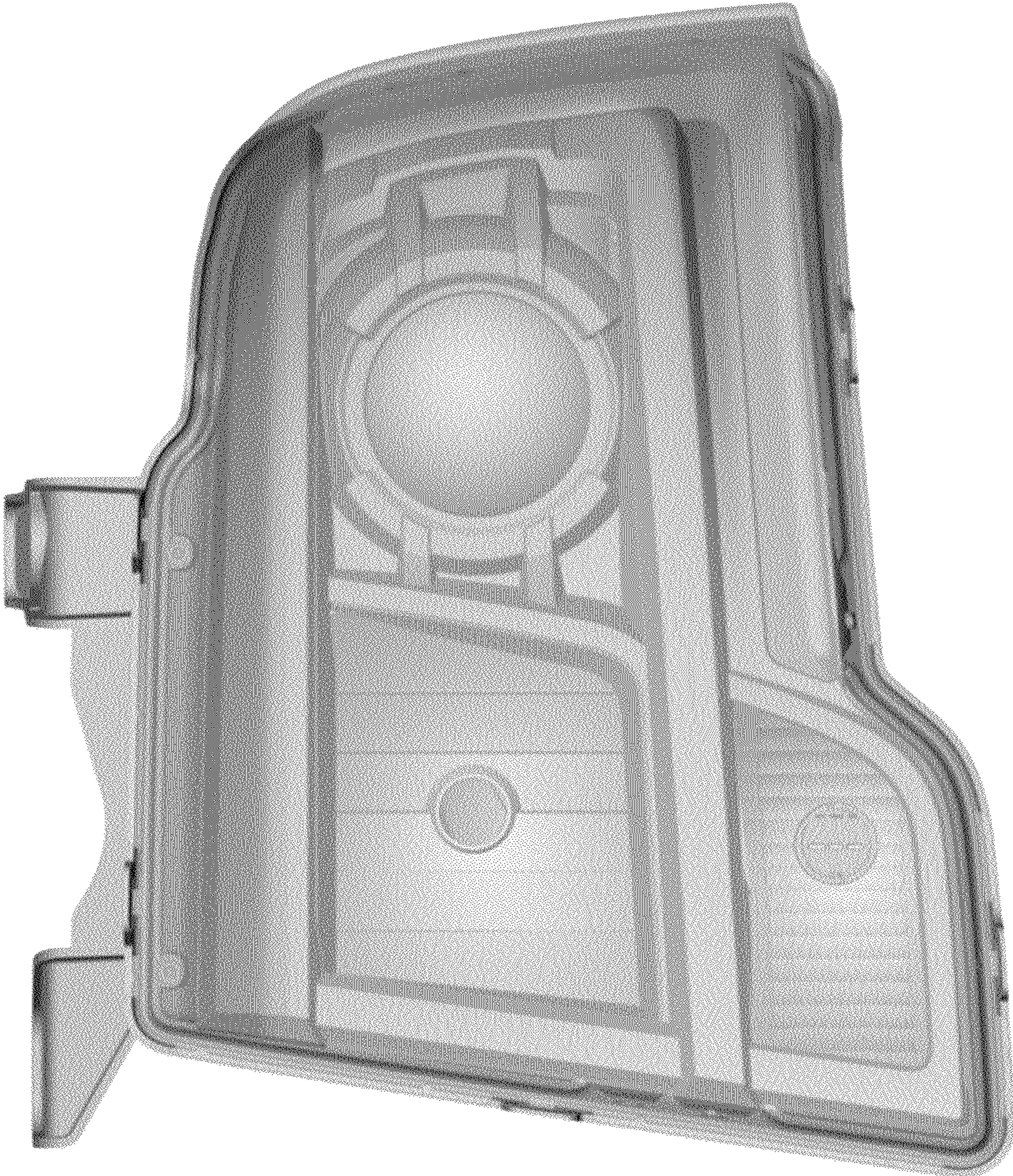


Figure 3



Figure 4

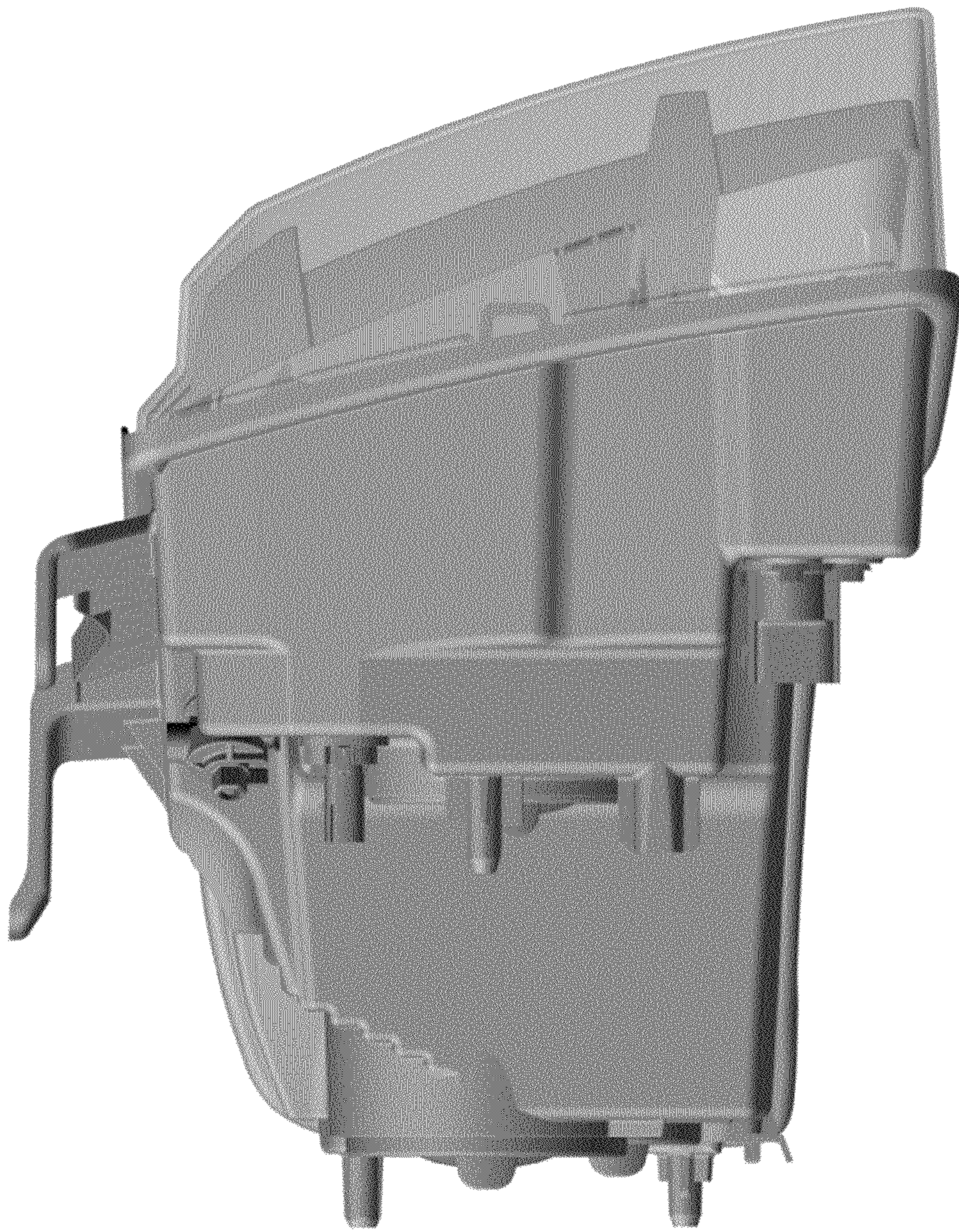


Figure 5

Figure 6

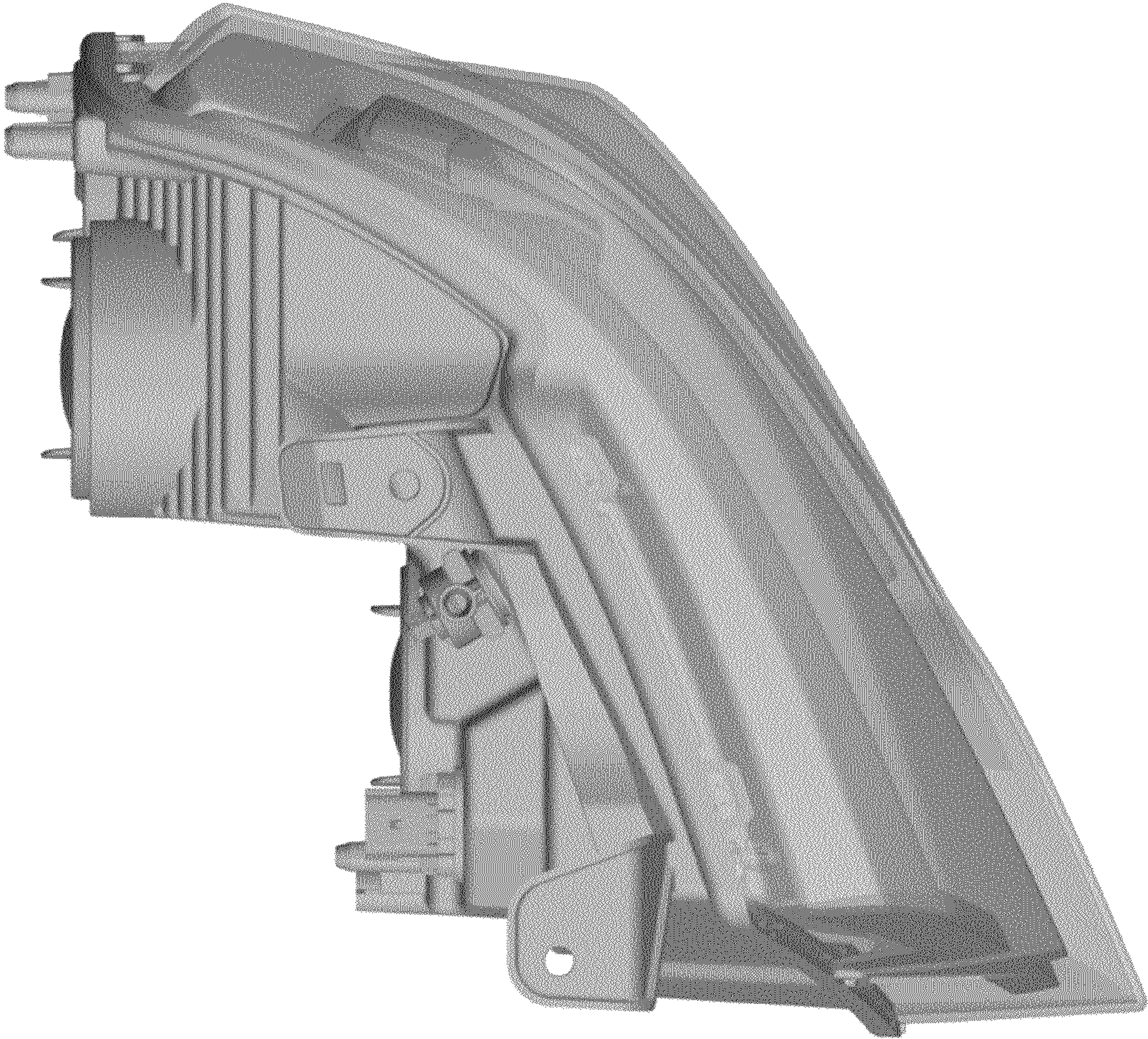


Figure 7

