



US00D735914S

(12) **United States Design Patent**
Gotschke

(10) **Patent No.:** **US D735,914 S**

(45) **Date of Patent:** **** Aug. 4, 2015**

- (54) **VEHICLE HEADLAMP**
- (71) Applicant: **Ford Motor Company**, Dearborn, MI (US)
- (72) Inventor: **Wolfgang Gotschke**, Cologne (DE)
- (73) Assignee: **Ford Motor Company**, Dearborn, MI (US)
- (**) Term: **14 Years**
- (21) Appl. No.: **29/482,119**
- (22) Filed: **Feb. 14, 2014**
- (51) **LOC (10) Cl.** **26-06**
- (52) **U.S. Cl.**
USPC **D26/28**
- (58) **Field of Classification Search**
USPC D26/28–36, 139
CPC F21S 48/10; F21S 48/15; F21S 48/145;
F21S 48/1109; F21S 48/1168; F21S 48/1186
See application file for complete search history.

- D619,279 S * 7/2010 Lamm D26/28
- D683,870 S * 6/2013 Schmeckpeper D26/28
- D703,848 S * 4/2014 Mays et al. D26/28
- D717,981 S * 11/2014 Lai D26/28
- D719,689 S * 12/2014 Gotschke D26/28
- D721,836 S * 1/2015 Gotschke D26/28
- D722,711 S * 2/2015 Gotschke D26/28

* cited by examiner

Primary Examiner — Clare E Heflin

(74) *Attorney, Agent, or Firm* — Damian Porcari

(57) **CLAIM**

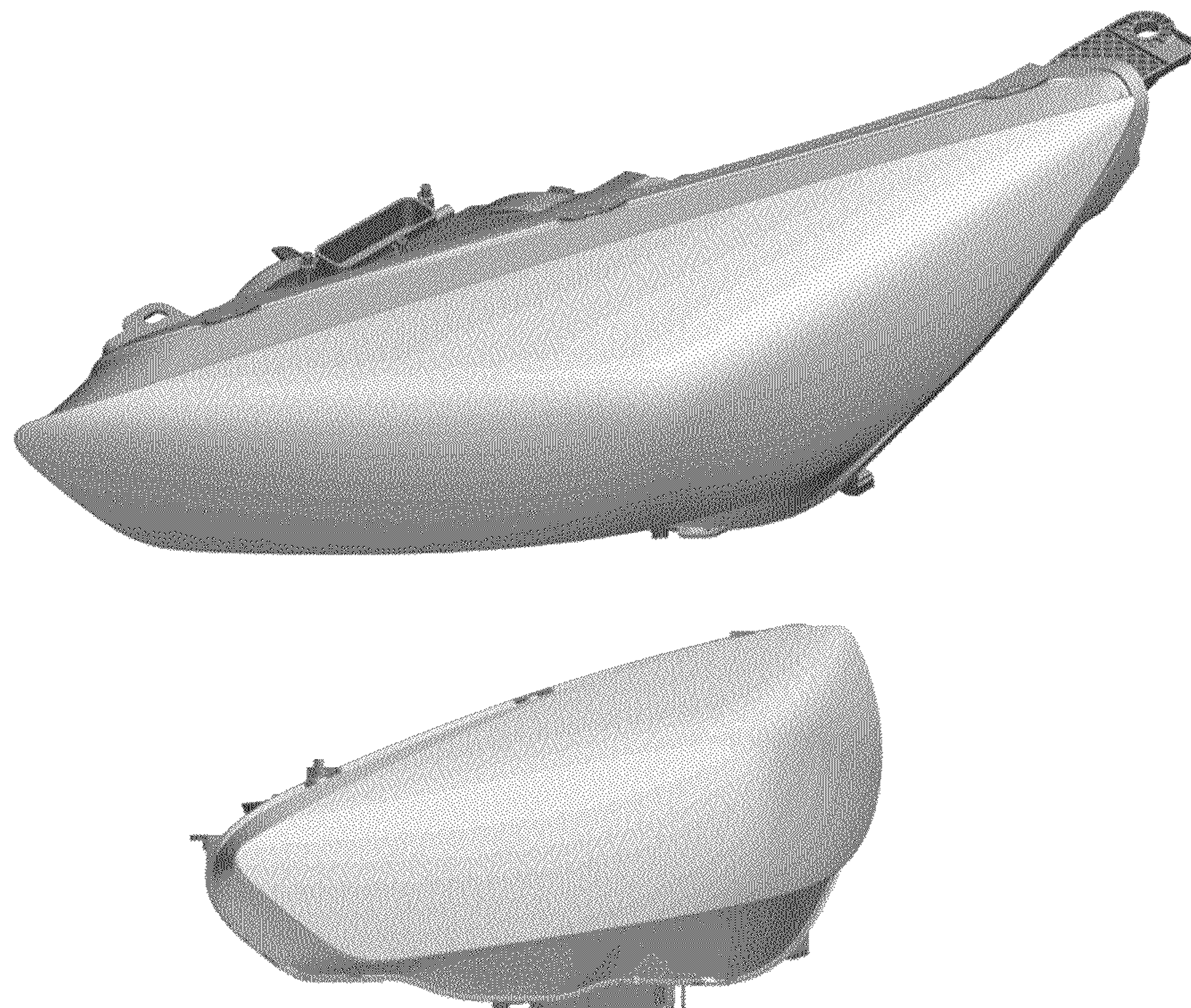
The ornamental design for a vehicle headlamp, as shown and described.

DESCRIPTION

FIG. 1 is a perspective view of a left vehicle headlamp (the right vehicle headlamp being a mirror image and is not shown);
 FIG. 2 is another perspective view thereof;
 FIG. 3 is a front elevational view thereof;
 FIG. 4 is a left side elevational view thereof;
 FIG. 5 is a right side elevational view thereof;
 FIG. 6 is a top plan view thereof; and,
 FIG. 7 is a bottom plan view thereof.

1 Claim, 7 Drawing Sheets

- (56) **References Cited**
U.S. PATENT DOCUMENTS
D556,349 S * 11/2007 Golden et al. D26/28
D605,317 S * 12/2009 Giachin D26/28



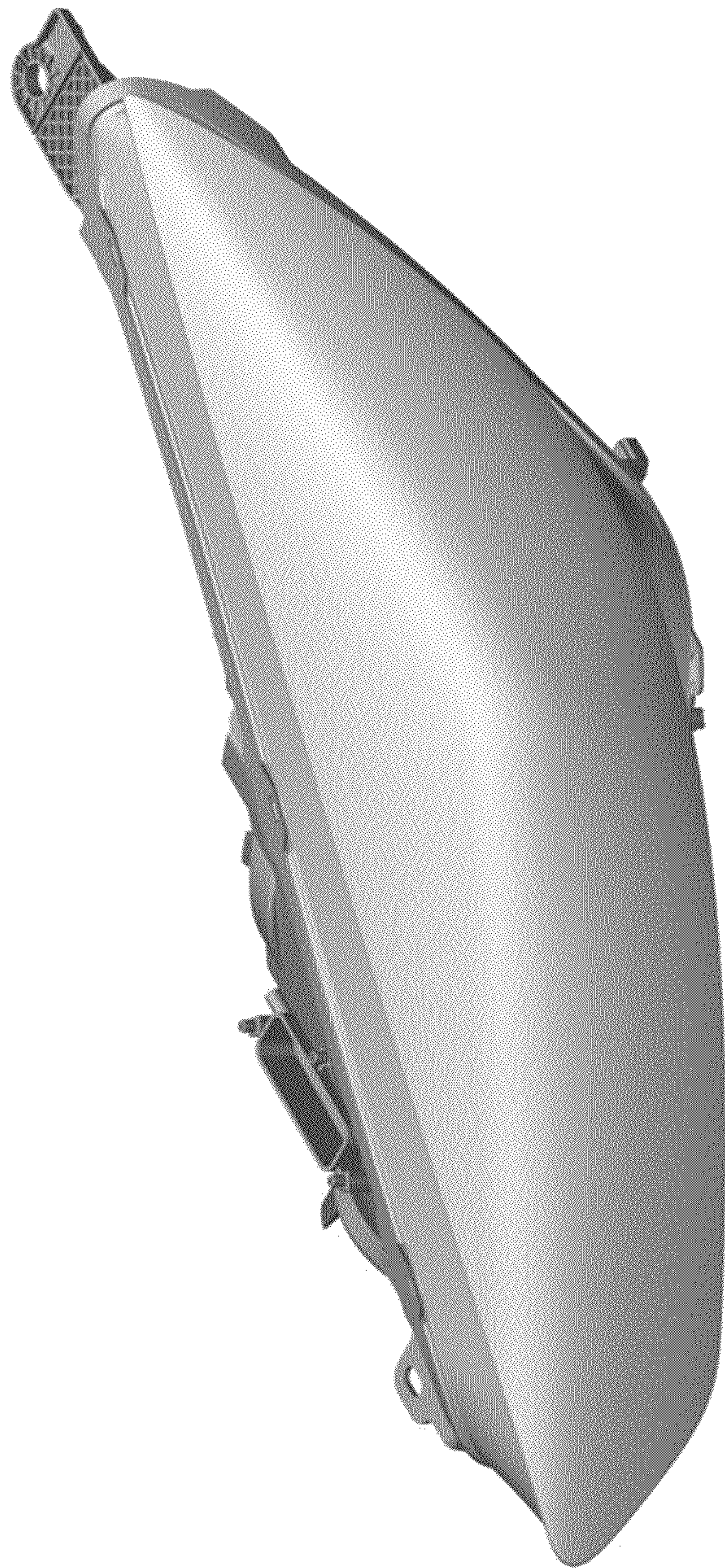


Figure 1

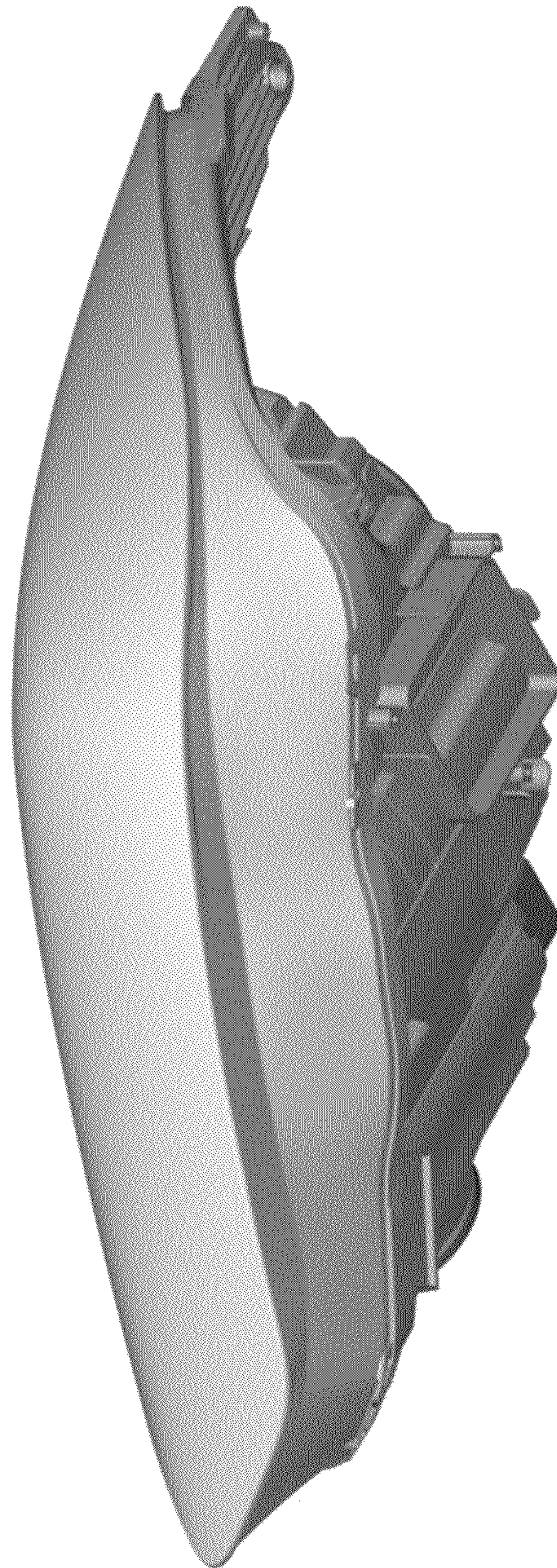


Figure 2

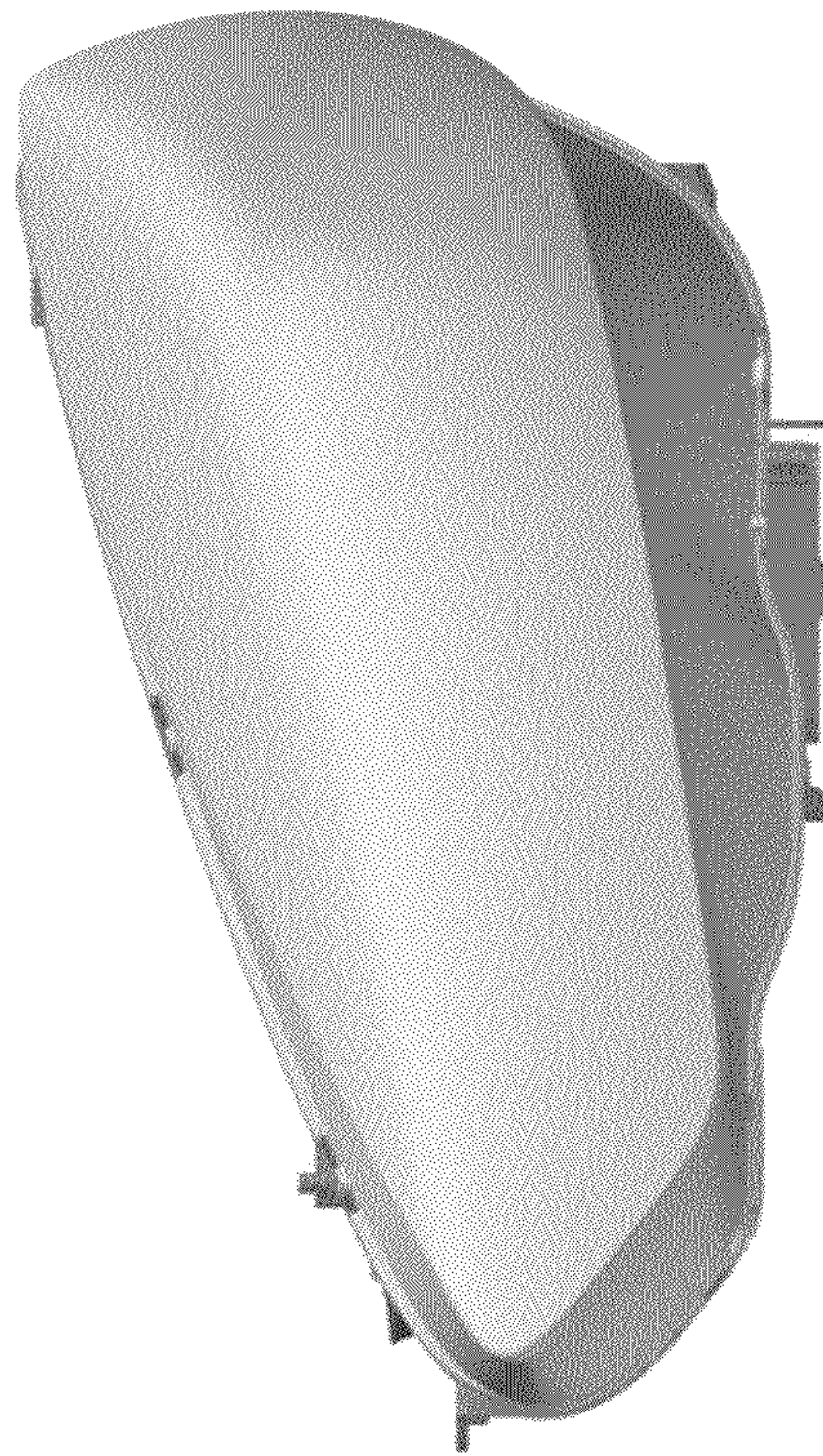


Figure 3

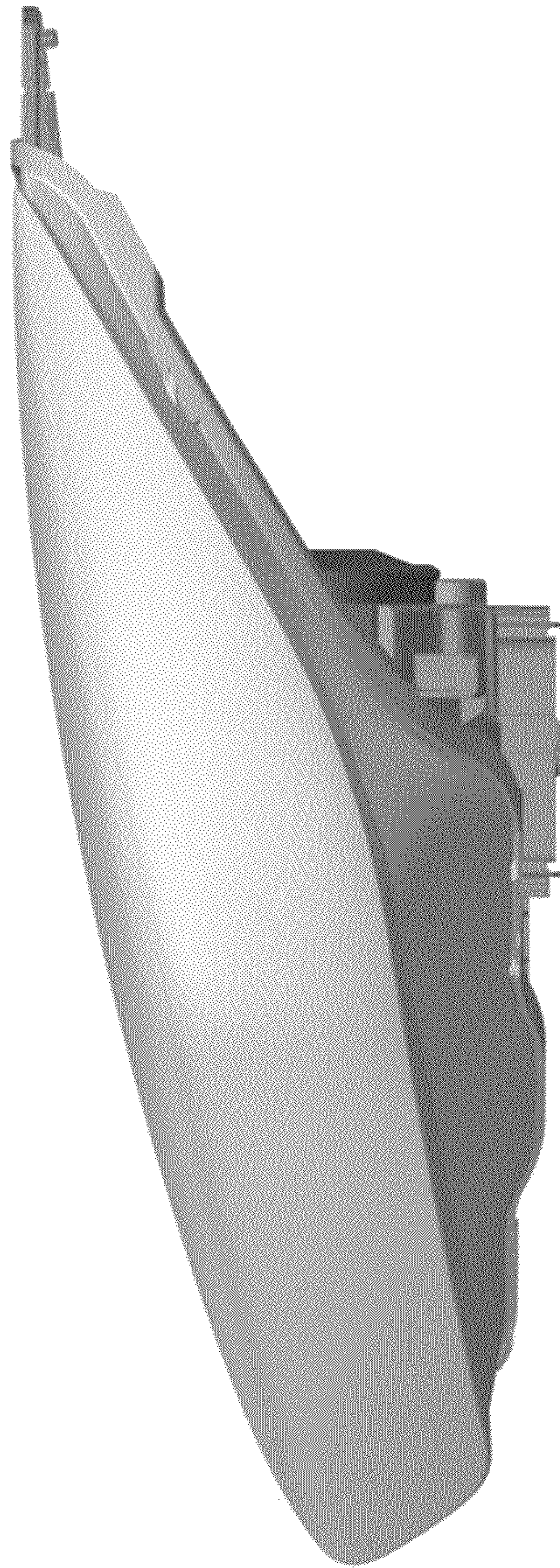


Figure 4

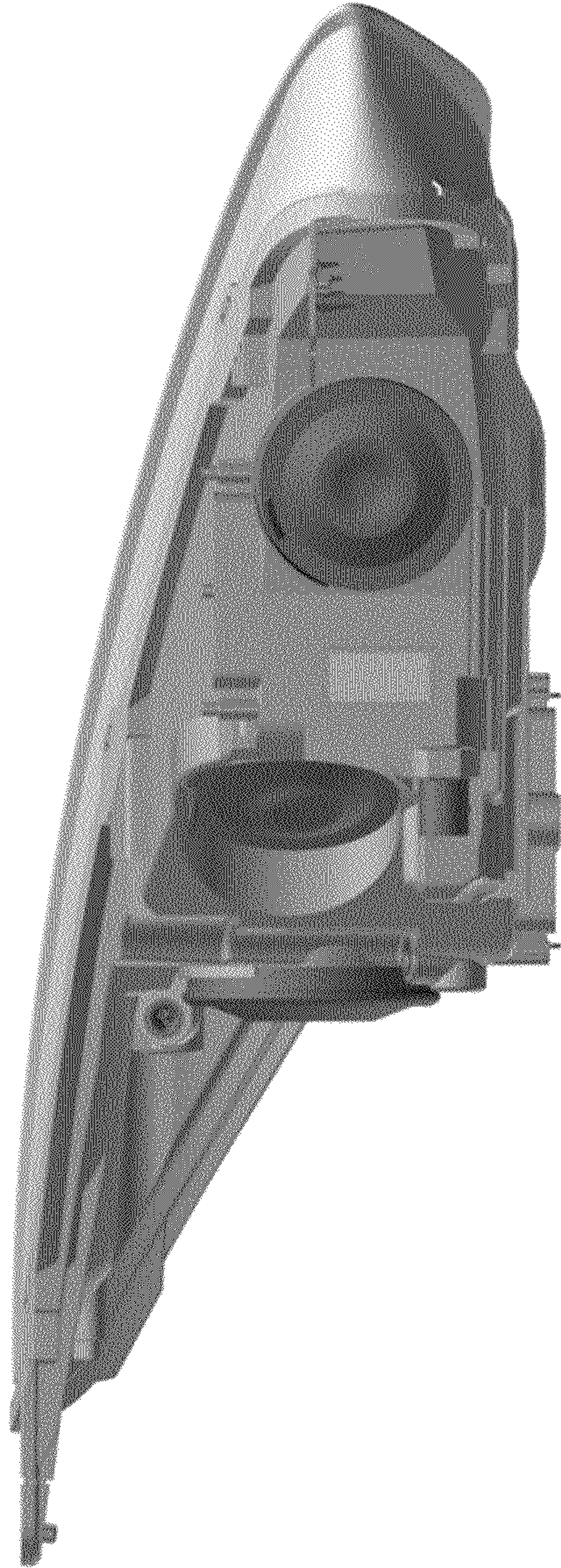


Figure 5

Figure 6

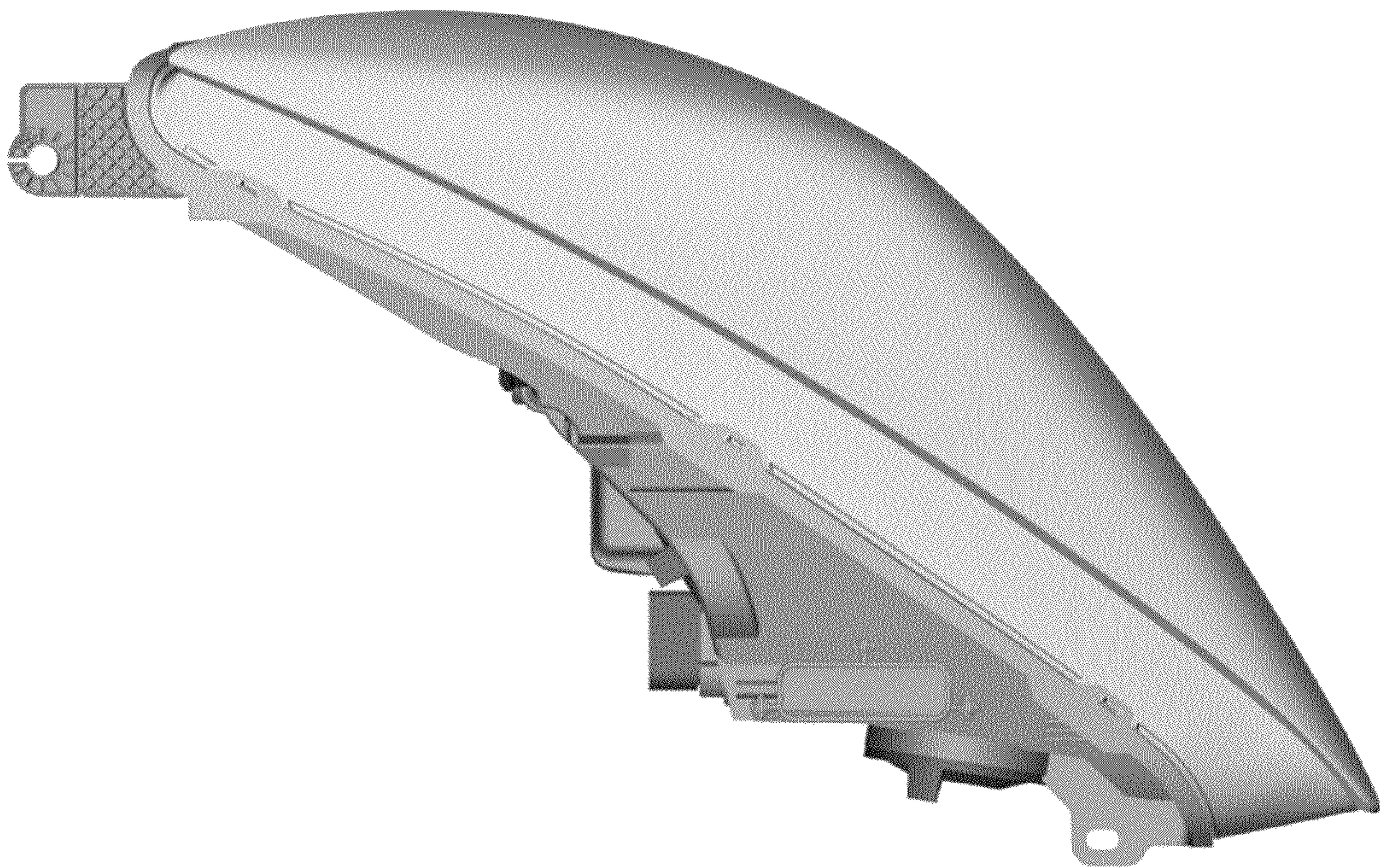


Figure 7

