



US00D735913S

(12) **United States Design Patent**
Mays et al.

(10) **Patent No.:** **US D735,913 S**

(45) **Date of Patent:** **** Aug. 4, 2015**

(54) **VEHICLE PARK LAMP**

(56) **References Cited**

(71) Applicant: **Ford Motor Company**, Dearborn, MI
(US)

U.S. PATENT DOCUMENTS

(72) Inventors: **J C. Mays**, Bloomfield Hills, MI (US);
Moray S. Callum, Ann Arbor, MI (US);
Joel Piaskowski, Brighton (AU);
Darrell Behmer, Novi, MI (US); **Kemal**
Curic, West Bloomfield, MI (US)

D541,445 S *	4/2007	Lin	D26/28
D549,363 S *	8/2007	Pfeiffer	D26/28
D552,769 S *	10/2007	Leclercq	D26/28
D553,269 S *	10/2007	Pfeiffer et al.	D26/28
D570,015 S *	5/2008	Hsu	D26/28
D574,524 S *	8/2008	Tomatsu	D26/28
D605,793 S *	12/2009	Weil	D26/28

(73) Assignee: **Ford Motor Company**, Dearborn, MI
(US)

* cited by examiner

Primary Examiner — Marcus Jackson

(**) Term: **14 Years**

(74) *Attorney, Agent, or Firm* — Damian Porcari

(21) Appl. No.: **29/476,659**

(57) **CLAIM**

The ornamental design for a vehicle park lamp, as shown and described.

(22) Filed: **Dec. 16, 2013**

DESCRIPTION

Related U.S. Application Data

(63) Continuation of application No. 29/469,983, filed on
Oct. 16, 2013, now Pat. No. Des. 710,762.

FIG. 1 is a left side elevational view of a left vehicle park lamp
(the right vehicle park lamp being a mirror image and is not
shown);
FIG. 2 is a right side elevational view thereof;
FIG. 3 is a front elevational view thereof;
FIG. 4 is a top plan view thereof;
FIG. 5 is a bottom plan view thereof;
FIG. 6 is a top perspective view thereof;
FIG. 7 is a bottom perspective view thereof;
FIG. 8 is a front elevational view of a left vehicle park lamp
reflector (the right vehicle park lamp reflector being a mirror
image and is not shown) for a headlamp without leveling; and,
FIG. 9 is a front elevational view of a left vehicle park lamp
reflector (the right vehicle park lamp reflector being a mirror
image and is not shown) for headlamp with leveling.

(51) **LOC (10) Cl.** **26-06**

(52) **U.S. Cl.**
USPC **D26/28**

(58) **Field of Classification Search**
USPC D26/28-36; 362/459-468, 475-478,
362/485-487

See application file for complete search history.

1 Claim, 9 Drawing Sheets

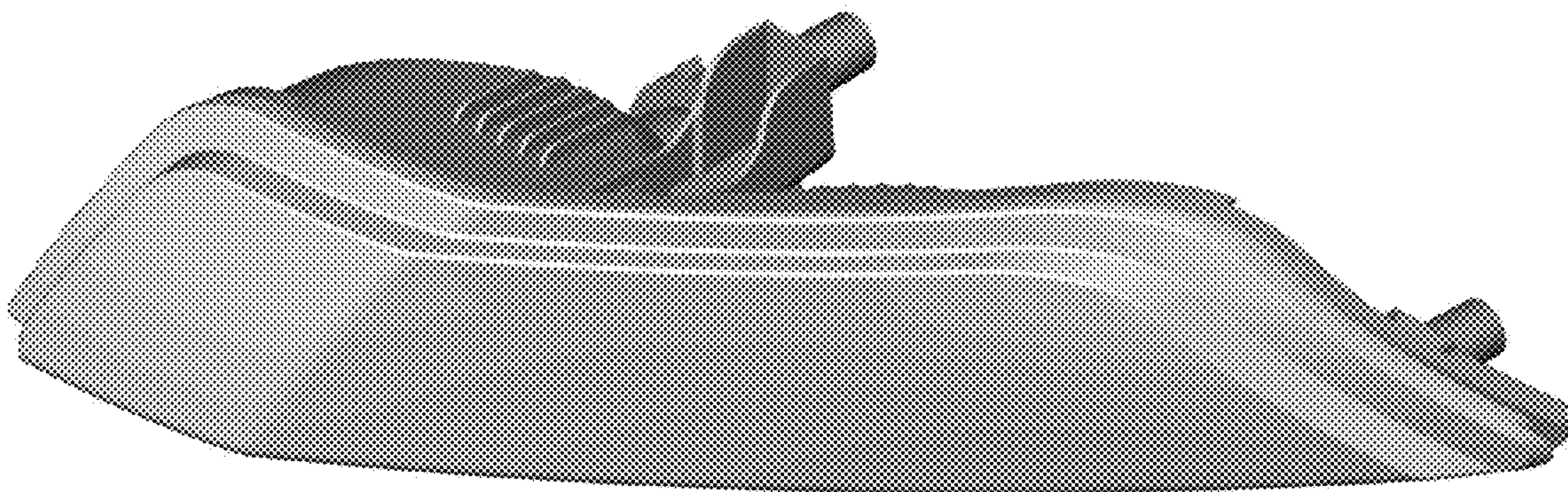




Figure 1

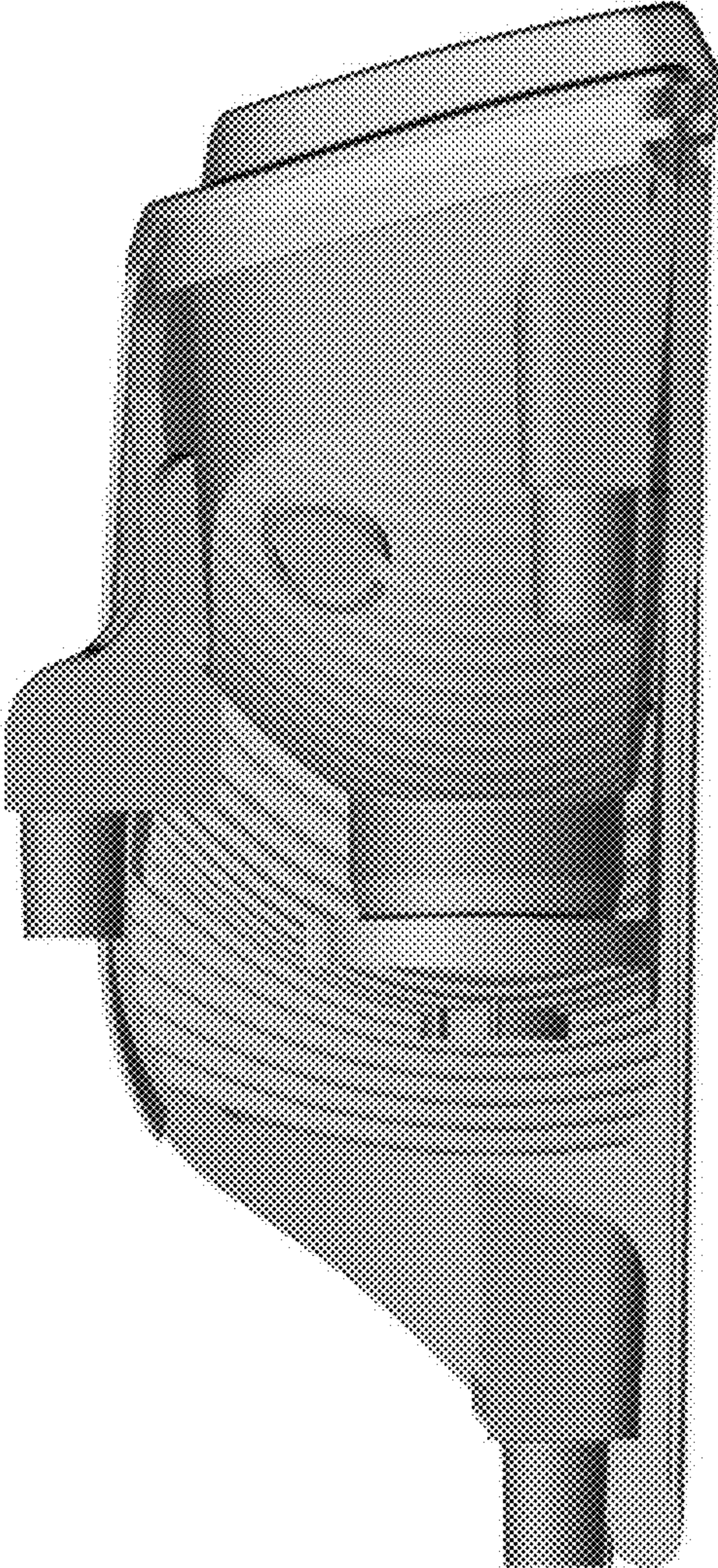


Figure 2

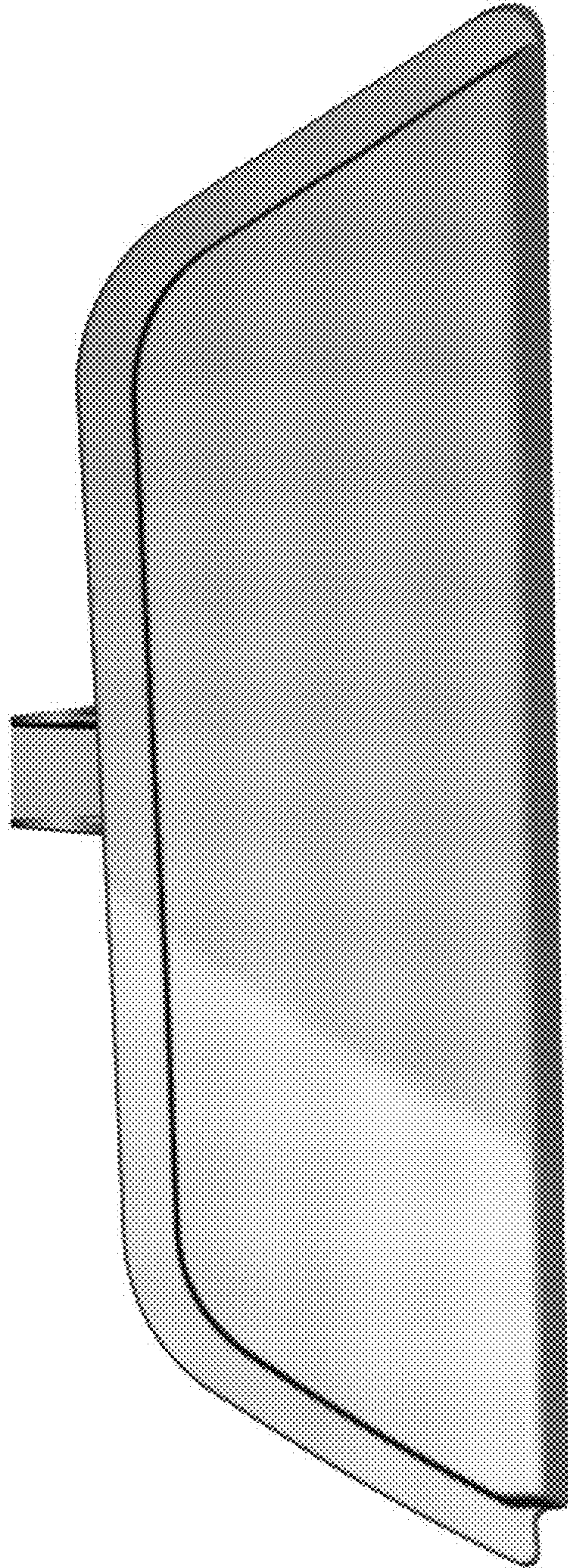


Figure 3

Figure 4

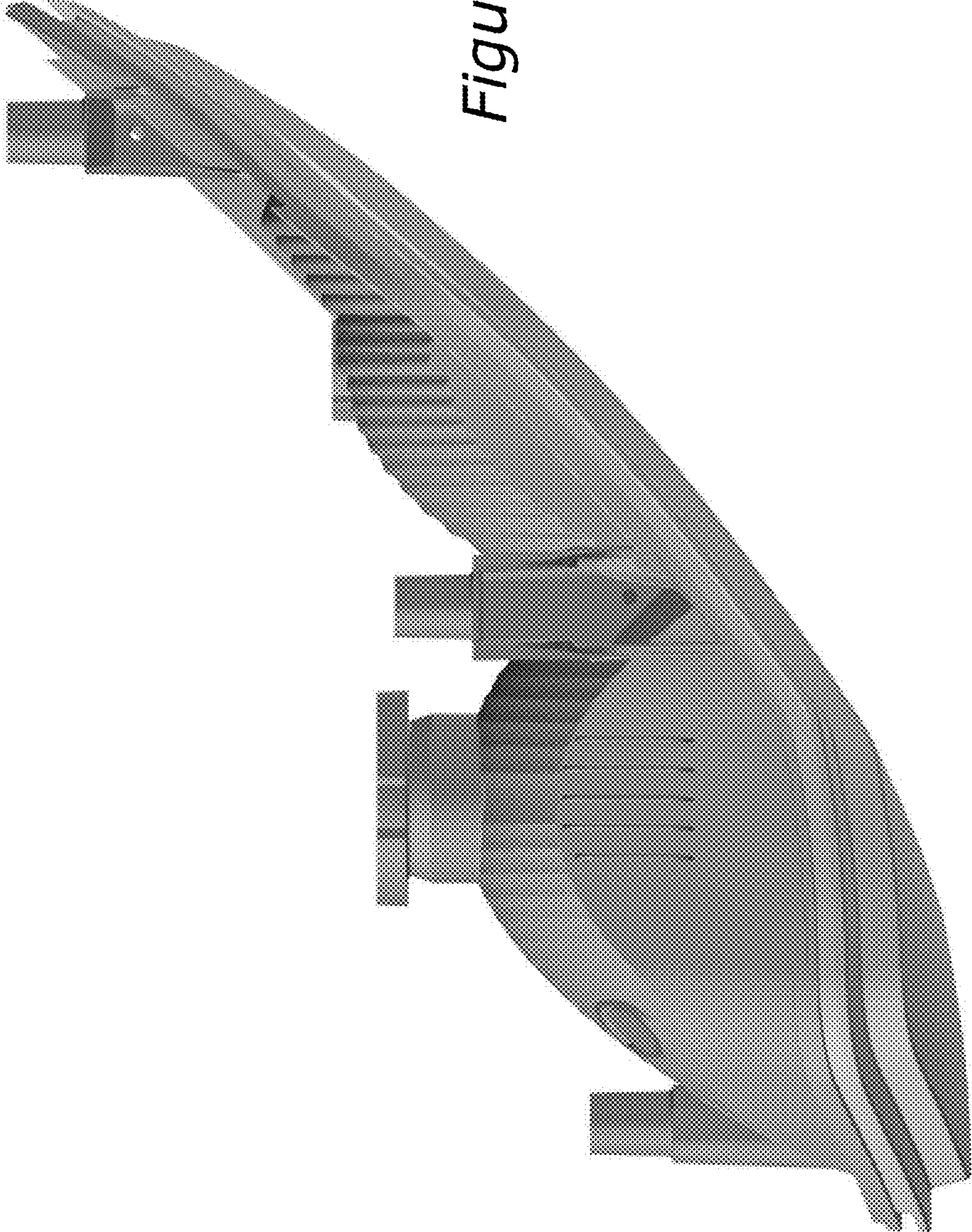
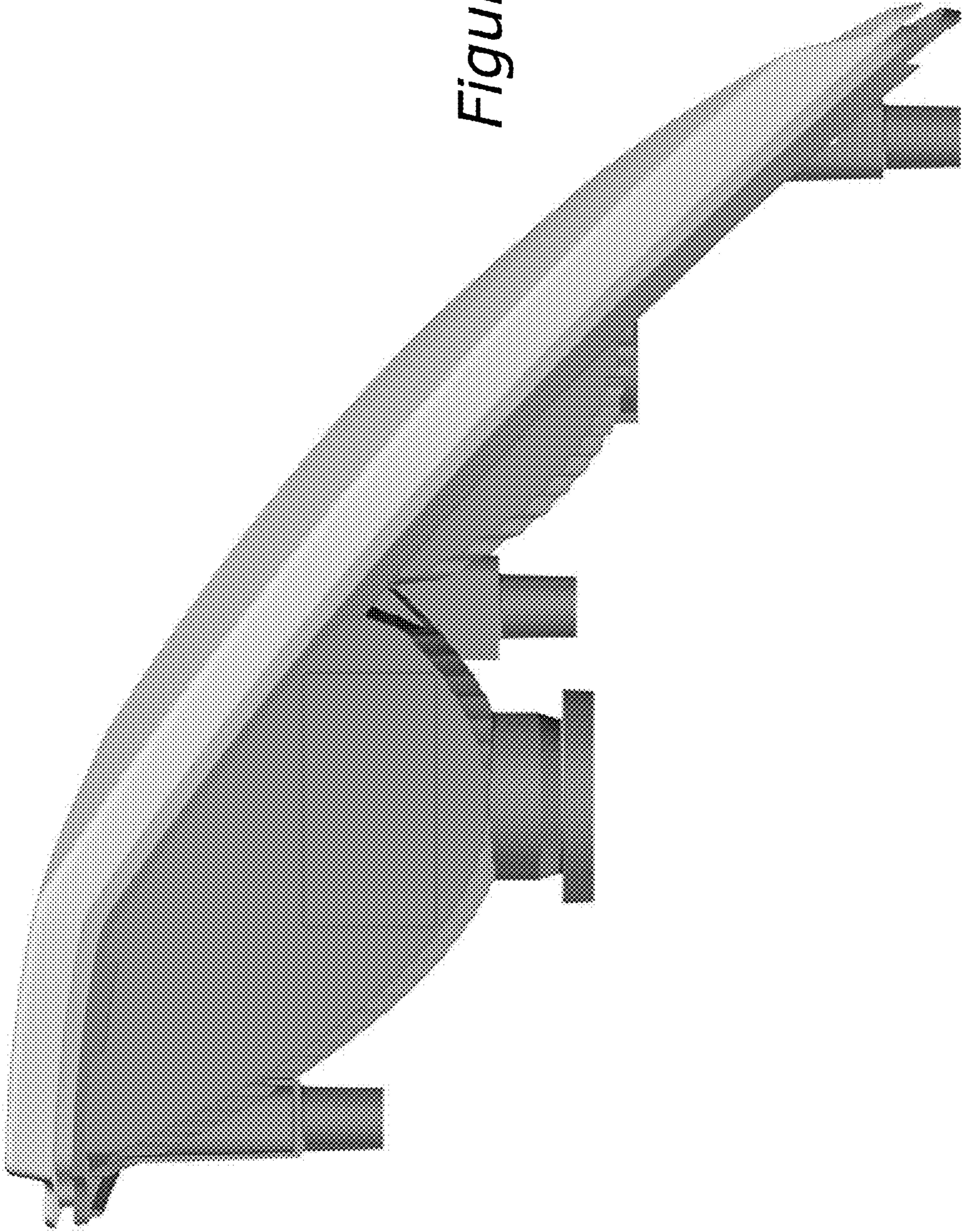


Figure 5



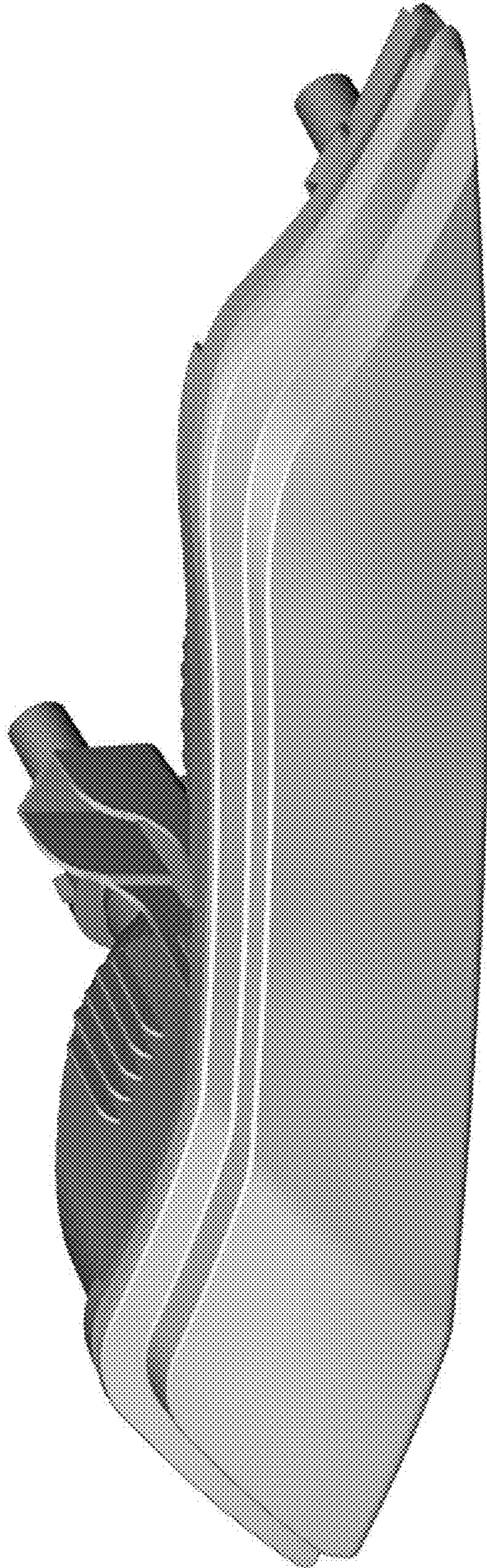


Figure 6



Figure 7

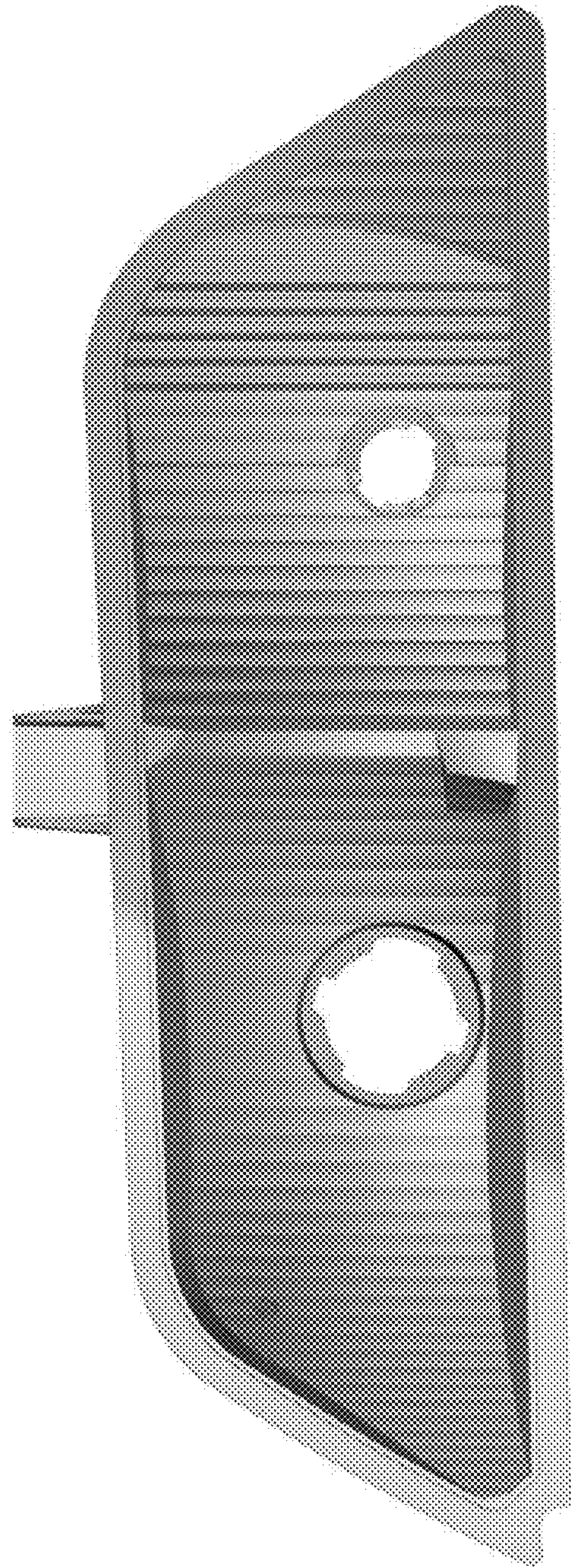


Figure 8

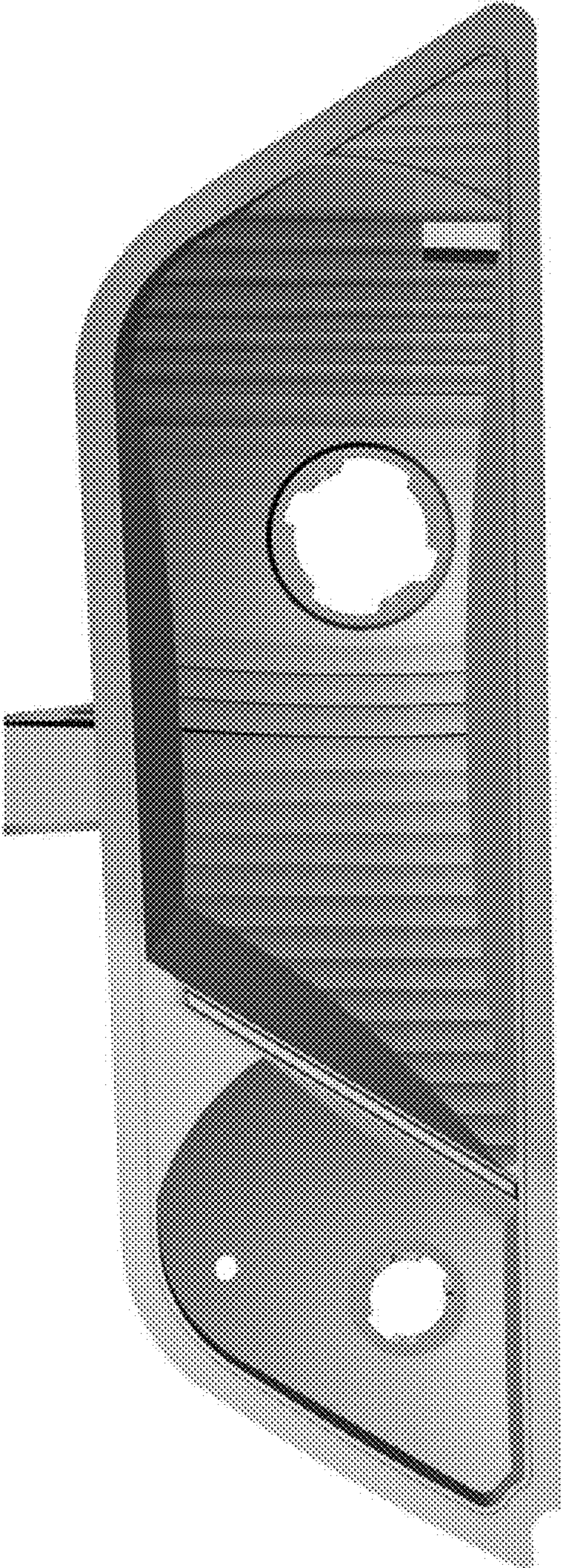


Figure 9