



US00D735912S

(12) **United States Design Patent**  
**Mays et al.**

(10) **Patent No.:** **US D735,912 S**

(45) **Date of Patent:** **\*\* Aug. 4, 2015**

(54) **VEHICLE AIR INTAKE WITH FOG LAMP**

(56) **References Cited**

(71) Applicant: **Ford Motor Company**, Dearborn, MI (US)

U.S. PATENT DOCUMENTS

(72) Inventors: **J C. Mays**, Bloomfield Hills, MI (US);  
**Moray S. Callum**, Ann Arbor, MI (US);  
**Joel Piaskowski**, Brighton (AU);  
**Darrell Behmer**, Novi, MI (US); **Kemal Curic**, West Bloomfield, MI (US)

D550,380 S *	9/2007	Lin	.....	D26/28
D550,383 S *	9/2007	Asai	.....	D26/28
D570,015 S *	5/2008	Hsu	.....	D26/28
D573,282 S *	7/2008	Hsu	.....	D26/28
D693,950 S *	11/2013	Ito et al.	.....	D26/28

(73) Assignee: **Ford Motor Company**, Dearborn, MI (US)

\* cited by examiner

*Primary Examiner* — Marcus Jackson

(\*\*) Term: **14 Years**

(74) *Attorney, Agent, or Firm* — Damian Porcari

(21) Appl. No.: **29/476,631**

(57) **CLAIM**

The ornamental design for a vehicle air intake with fog lamp, as shown and described.

(22) Filed: **Dec. 16, 2013**

**DESCRIPTION**

**Related U.S. Application Data**

(63) Continuation of application No. 29/469,983, filed on Oct. 16, 2013, now Pat. No. Des. 710,762.

FIG. 1 is a left side elevational view of a left vehicle air intake with fog lamp (the right vehicle air intake with fog lamp being a mirror image and is not shown);  
FIG. 2 is a right side elevational view thereof;  
FIG. 3 is a front elevational view thereof;  
FIG. 4 is a top plan view thereof;  
FIG. 5 is a bottom plan view thereof;  
FIG. 6 is a perspective view thereof; and,  
FIG. 7 is another perspective view thereof.

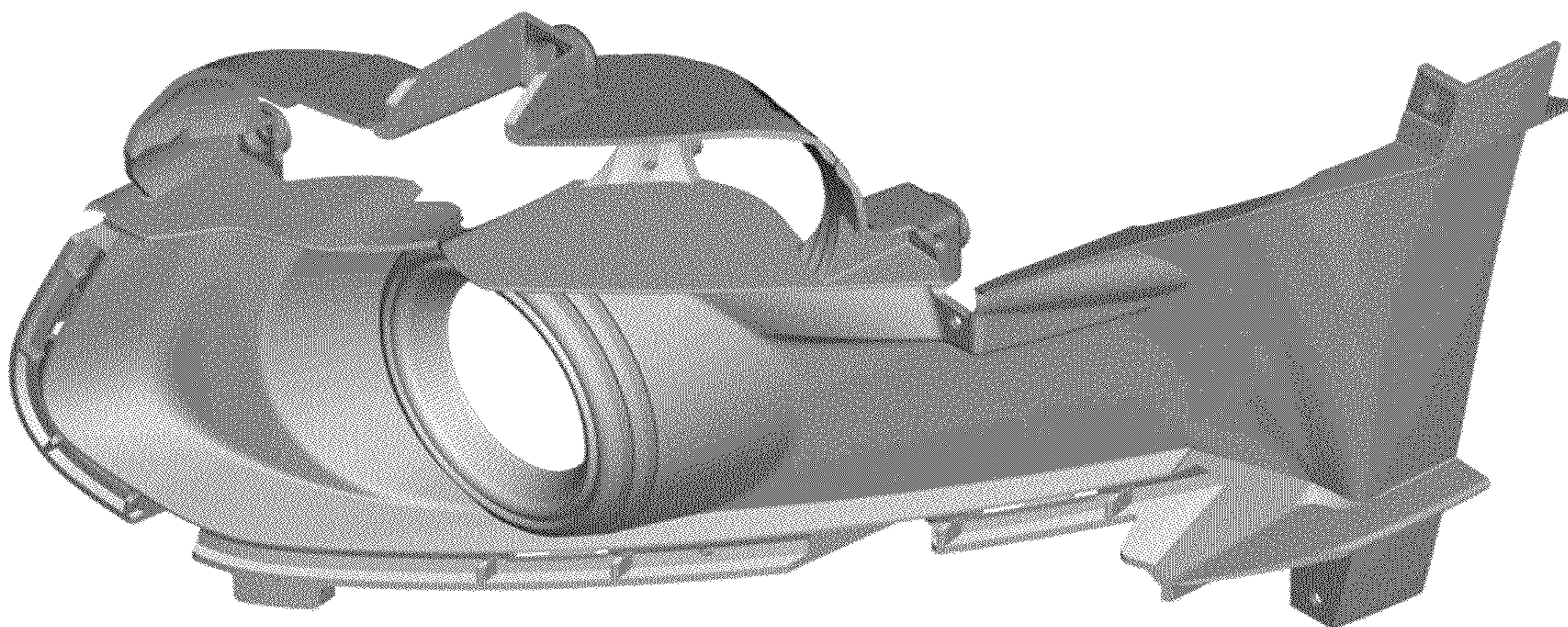
(51) **LOC (10) Cl.** ..... **26-06**

(52) **U.S. Cl.**  
USPC ..... **D26/28**

(58) **Field of Classification Search**  
USPC ..... D26/28-36; 362/459-468, 475-478,  
362/485-487

See application file for complete search history.

**1 Claim, 7 Drawing Sheets**





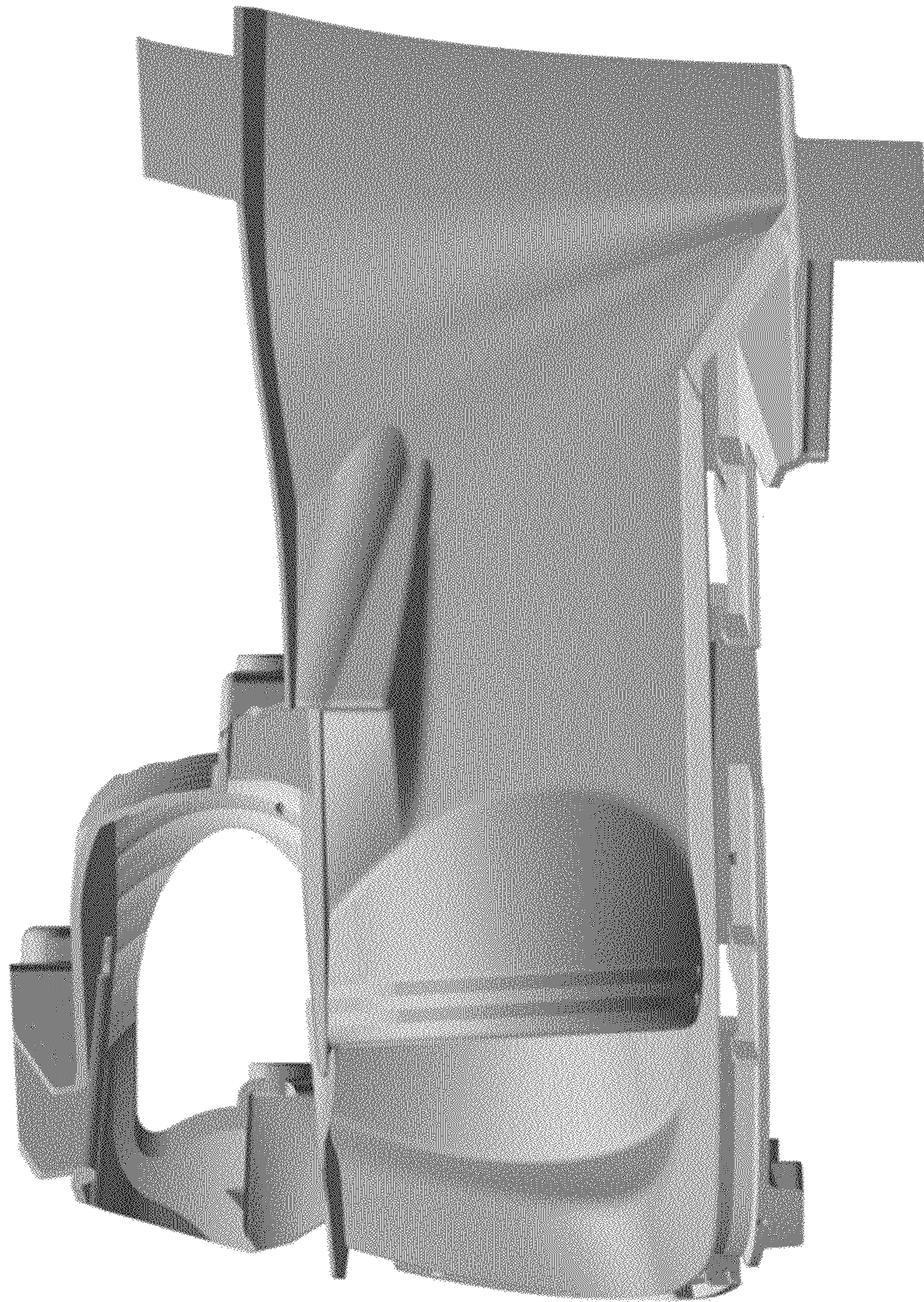


Figure 1



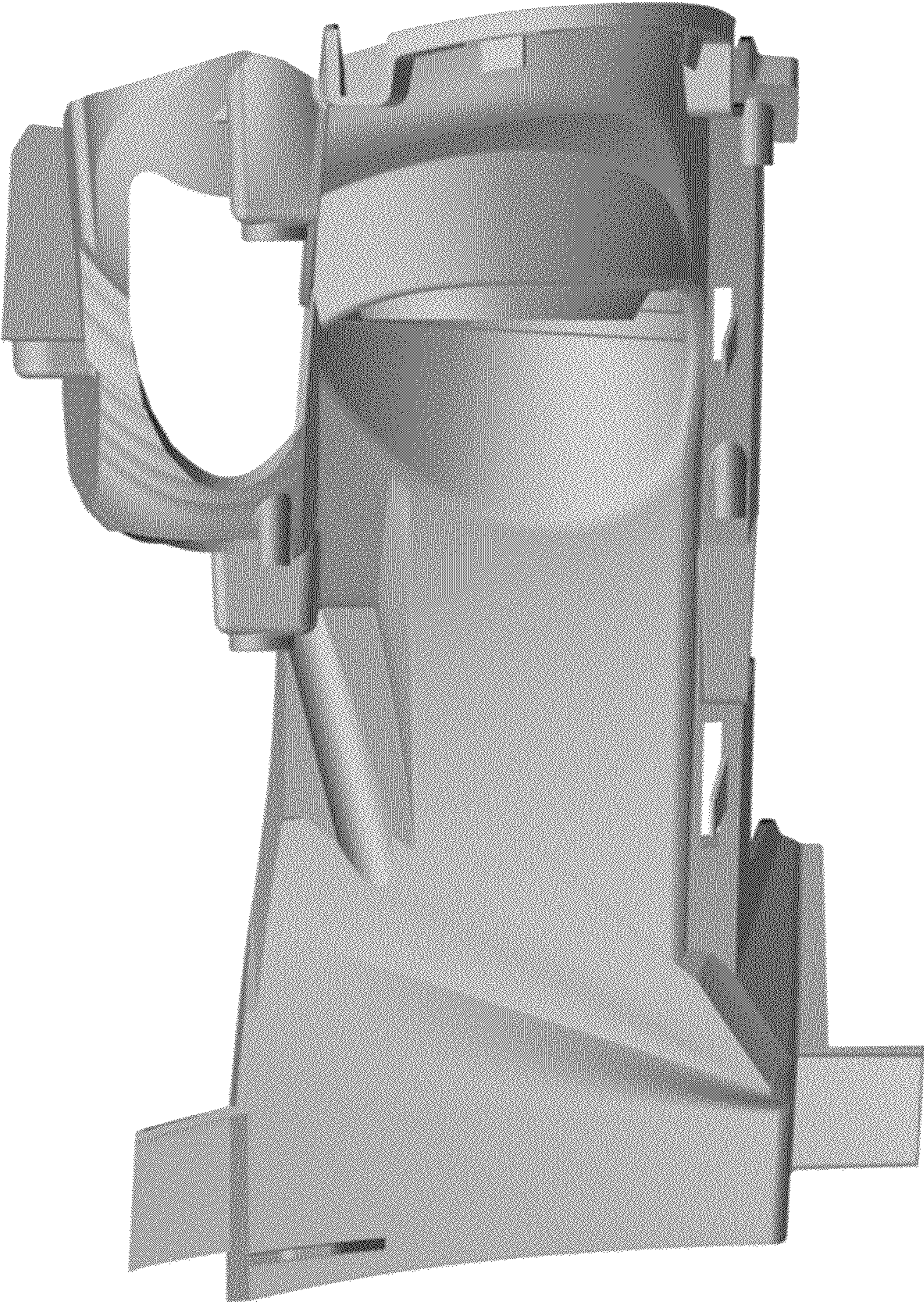


Figure 2



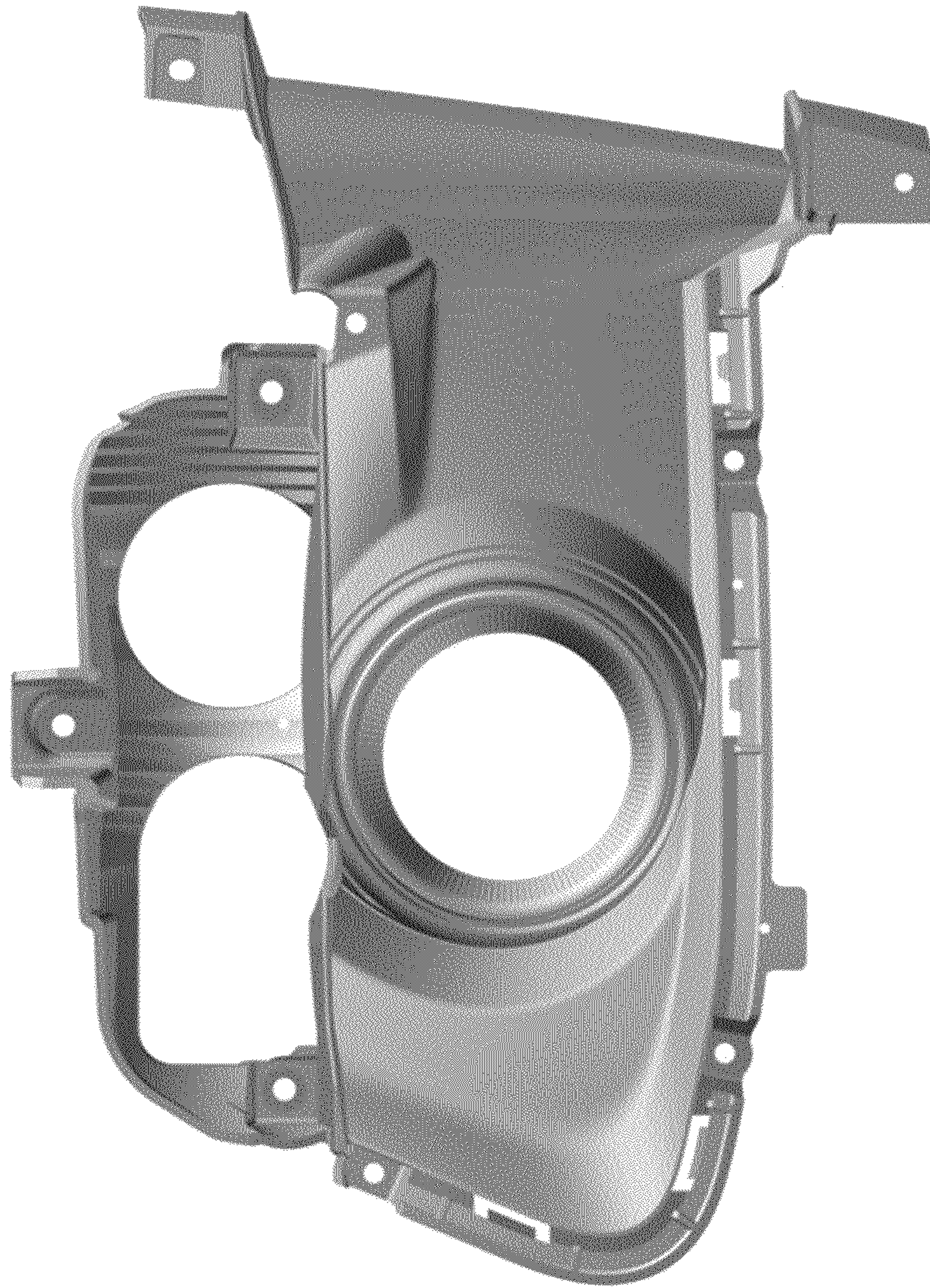


Figure 3



Figure 4

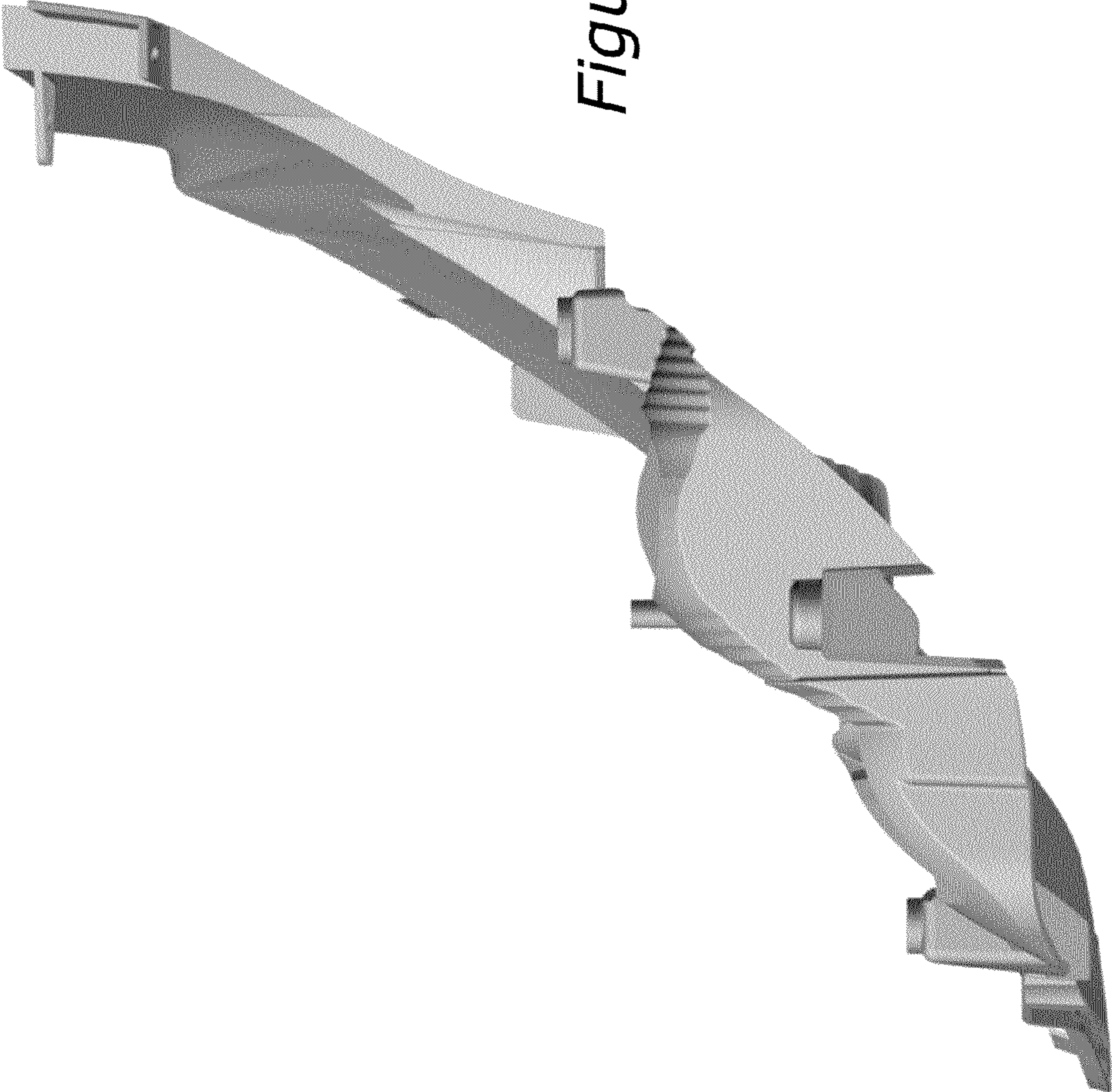
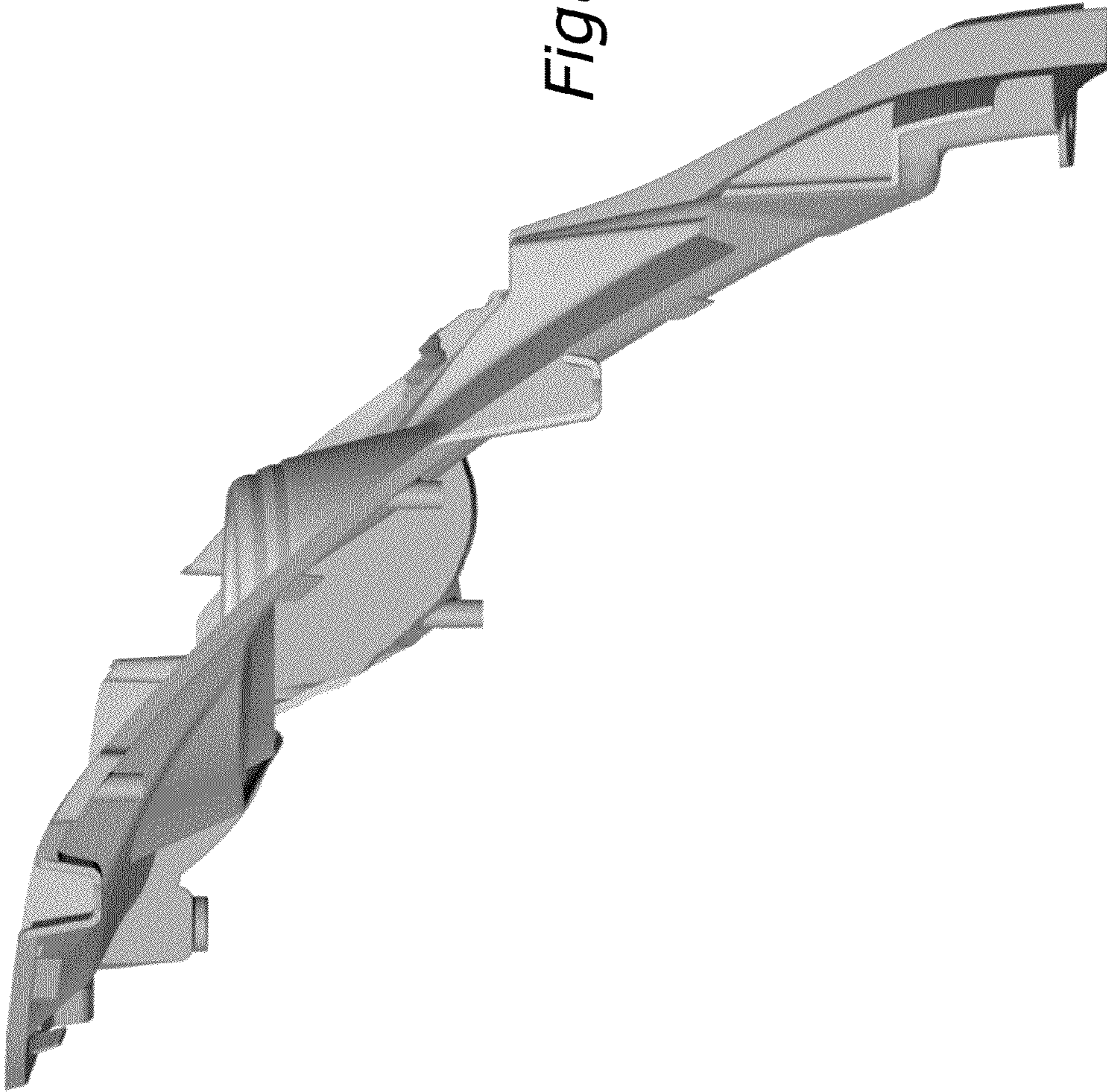


Figure 5





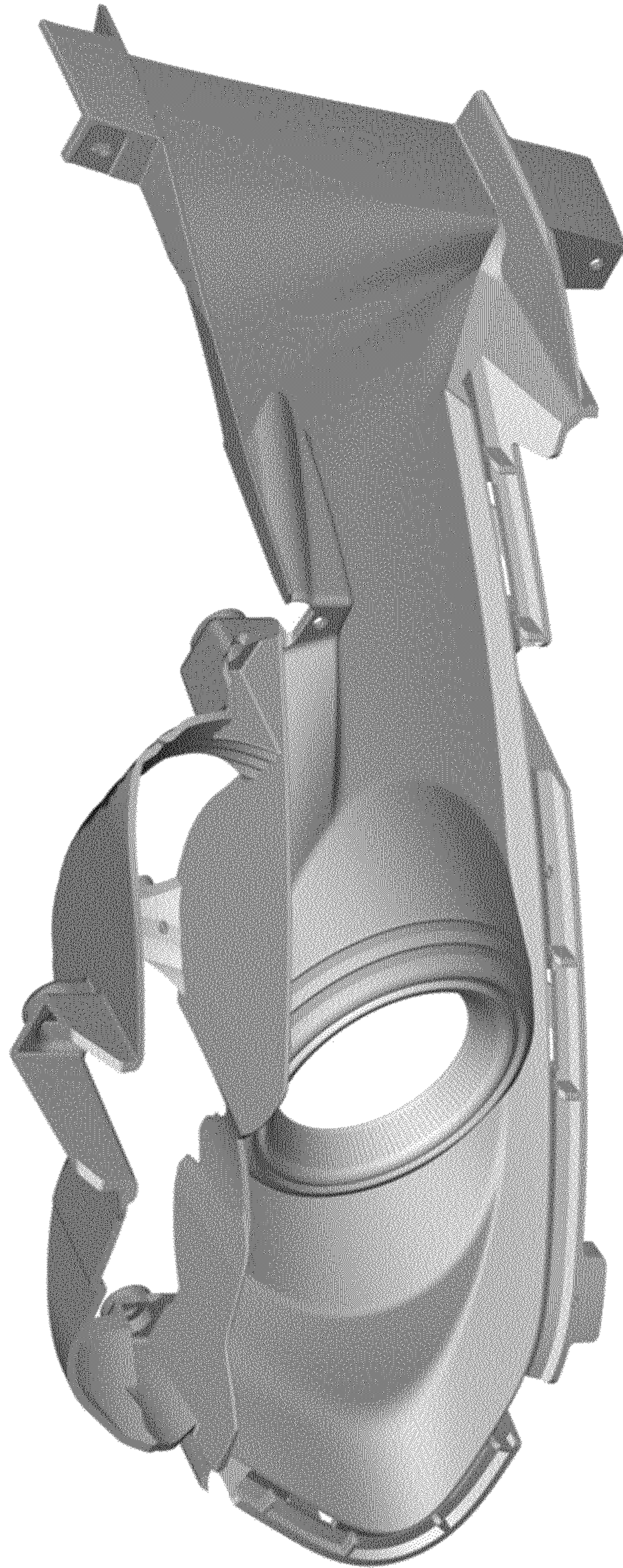


Figure 6



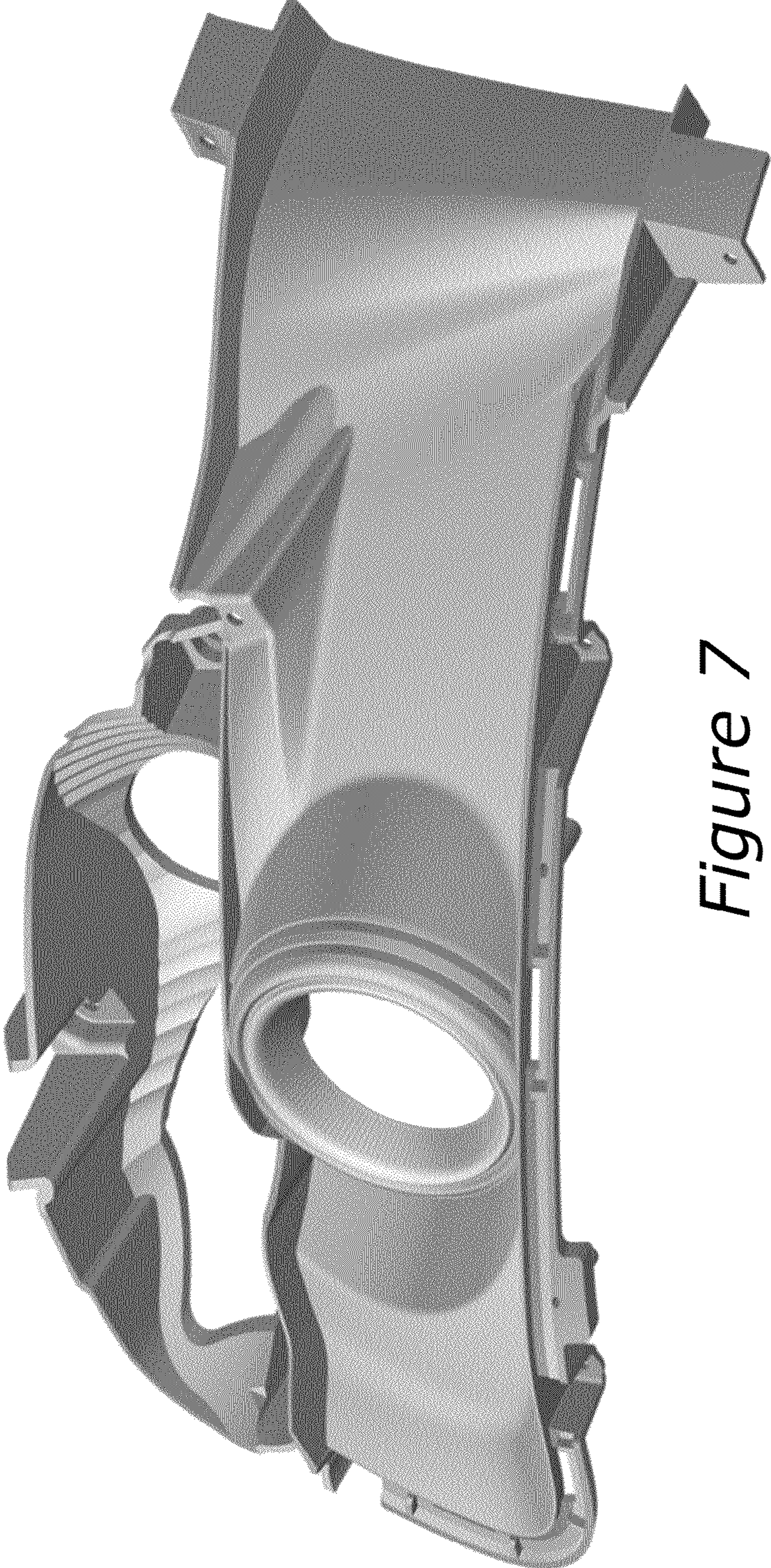


Figure 7