



US00D735907S

(12) **United States Design Patent**
Campagna

(10) **Patent No.:** **US D735,907 S**

(45) **Date of Patent:** **** Aug. 4, 2015**

(54) **OVAL LIGHT FIXTURE FRAME AND LENS THEREFOR**

(71) Applicant: **Cary J. Campagna**, Portage, MI (US)

(72) Inventor: **Cary J. Campagna**, Portage, MI (US)

(73) Assignee: **COMMAND ELECTRONICS, INC.**, Schoolcraft, MI (US)

(**) Term: **14 Years**

(21) Appl. No.: **29/462,135**

(22) Filed: **Jul. 31, 2013**

(51) **LOC (10) Cl.** **26-06**

(52) **U.S. Cl.**
USPC **D26/28**

(58) **Field of Classification Search**

USPC D26/28-29, 32, 35-36, 73, 89;
362/459-463, 464-468, 475-478,
362/485-487, 362, 333-334, 340
CPC B62J 6/02; B62J 6/04; B62J 6/001;
B60Q 1/2661; B60Q 1/44; B60Q 1/50;
B60Q 1/30; B60Q 1/32; F21V 15/01
See application file for complete search history.

(56) **References Cited**

U.S. PATENT DOCUMENTS

D442,304 S * 5/2001 Huang D26/28
D498,549 S * 11/2004 Campagna D26/28

(Continued)

Primary Examiner — Wan Laymon

(74) *Attorney, Agent, or Firm* — Flynn, Thiel, Boutell & Tanis, P.C.

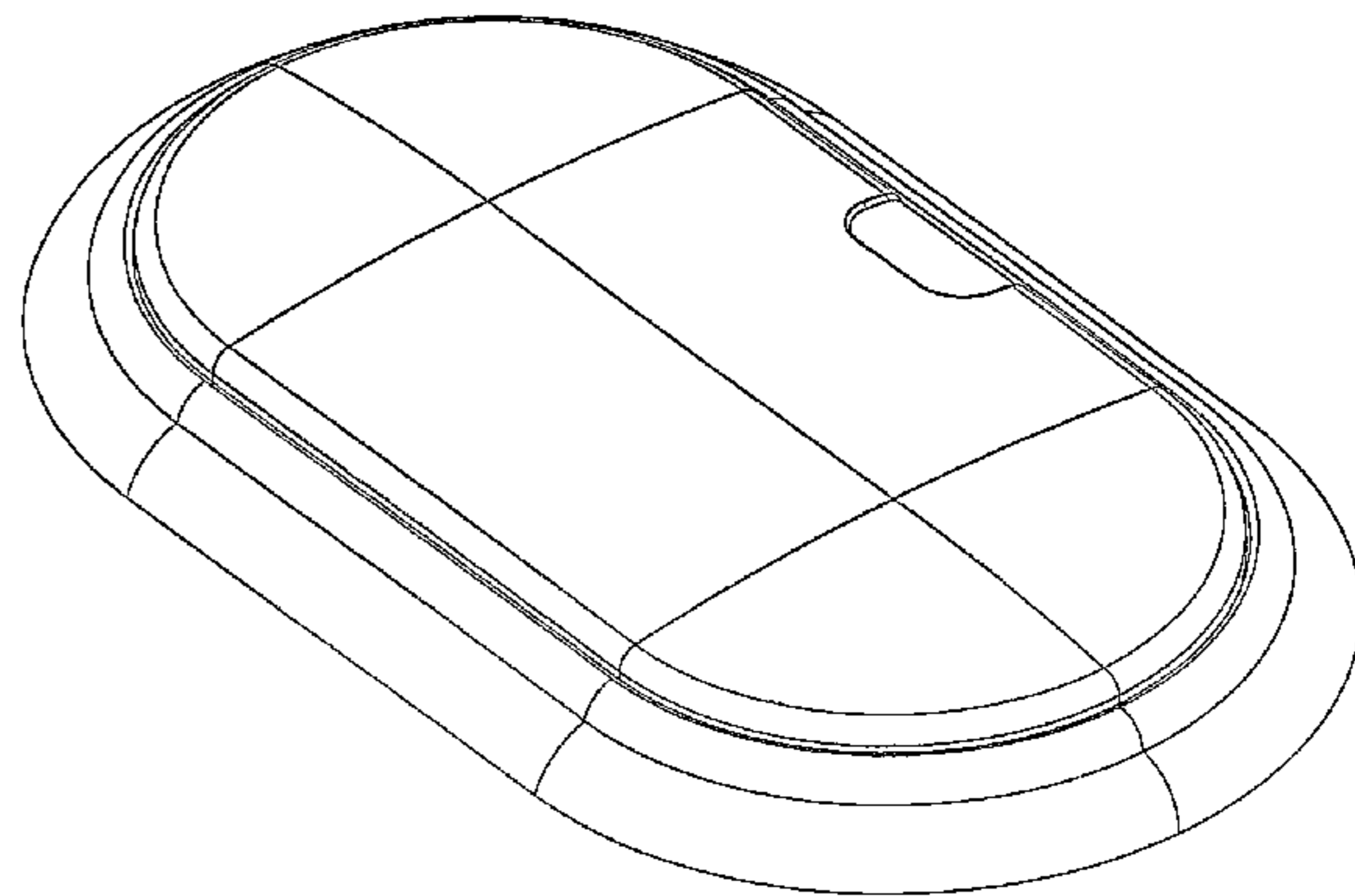
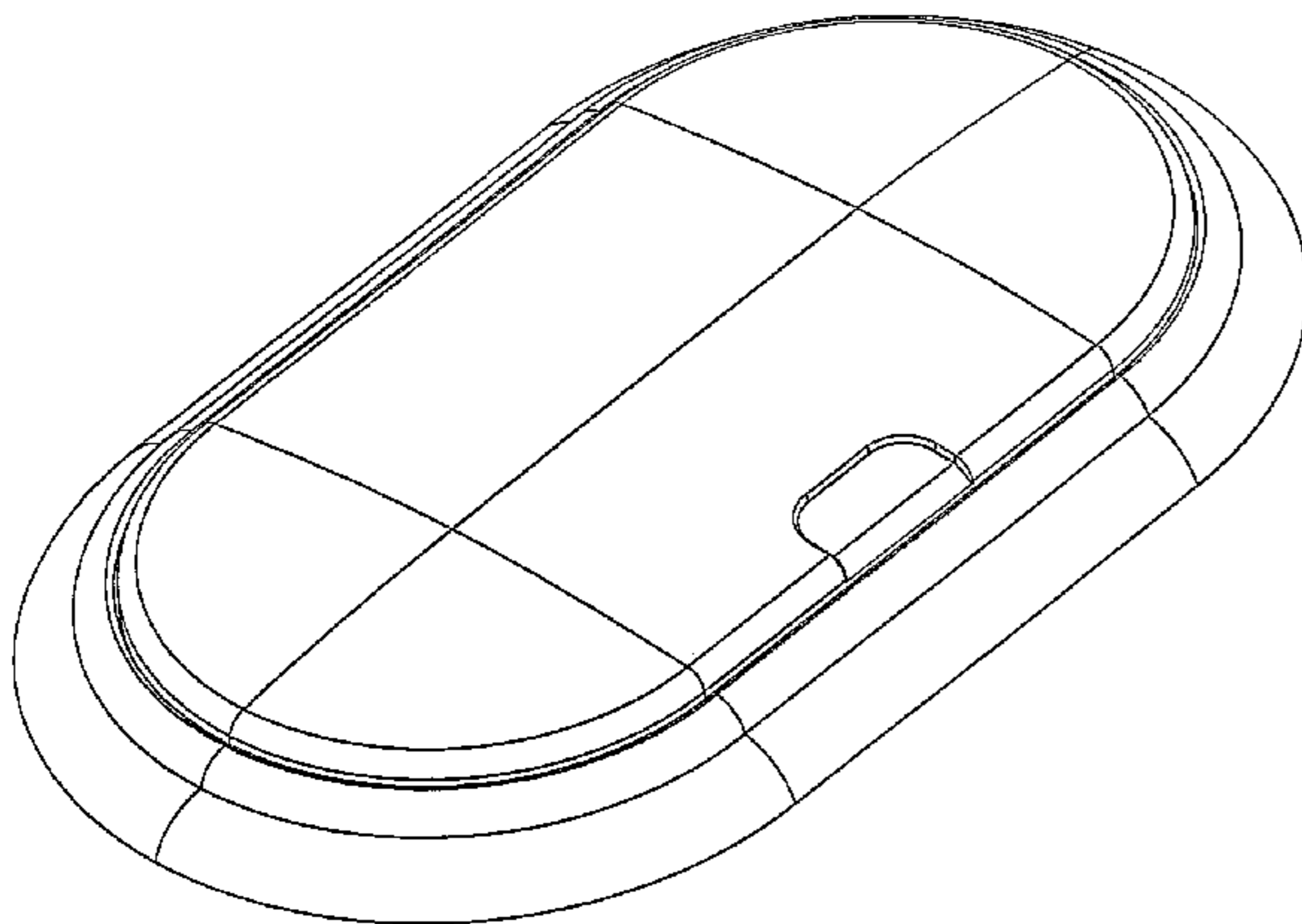
(57) **CLAIM**

The ornamental design for an oval light fixture frame and lens therefor, as shown and described.

DESCRIPTION

FIG. 1 is a top view of an assembly of an oval light fixture frame and lens therefor embodying my new design;
FIG. 2 is a front view thereof, the rear view being identical thereto;
FIG. 3 is a left side view thereof;
FIG. 4 is a right side view thereof;
FIG. 5 is a top, front and right side isometric view thereof;
FIG. 6 is a top, front and left side isometric view thereof;
FIG. 7 is a bottom view thereof;
FIG. 8 is a bottom, front and right side isometric view thereof;
FIG. 9 is a bottom, front and left side isometric view thereof;
FIG. 10 is a top view of the frame without the lens;
FIG. 11 is a front view of the frame without the lens;
FIG. 12 is a left side view of the frame without the lens, the right side view being a mirror image thereof;
FIG. 13 is a top, front and right side isometric view of the frame without the lens;
FIG. 14 is a top, front and left side isometric view of the frame without the lens;
FIG. 15 is a bottom view of the frame, this view being identical to FIG. 7;
FIG. 16 is a bottom, front and right side isometric view of the frame;
FIG. 17 is a bottom, front and left side isometric view of the frame;
FIG. 18 is a top view of the lens;
FIG. 19 is a front view of the lens, the rear view being identical thereto;
FIG. 20 is a right side view of the lens;
FIG. 21 is a left side view of the lens;
FIG. 22 is a top, front and left side isometric view of the lens;
FIG. 23 is a top, front and right side isometric view of the lens;
FIG. 24 is a bottom view of the lens;
FIG. 25 is a bottom, front and right side isometric view of the lens; and,
FIG. 26 is a bottom, front and left side isometric view of the lens.

1 Claim, 13 Drawing Sheets



US D735,907 S

Page 2

(56)

References Cited

U.S. PATENT DOCUMENTS

D527,837 S *	9/2006	Sassoon	D26/28
D583,490 S *	12/2008	Rogers et al.	D26/28
D690,039 S *	9/2013	Wilson et al.	D26/28
D500,153 S *	12/2004	Stephens et al.	D26/28

* cited by examiner

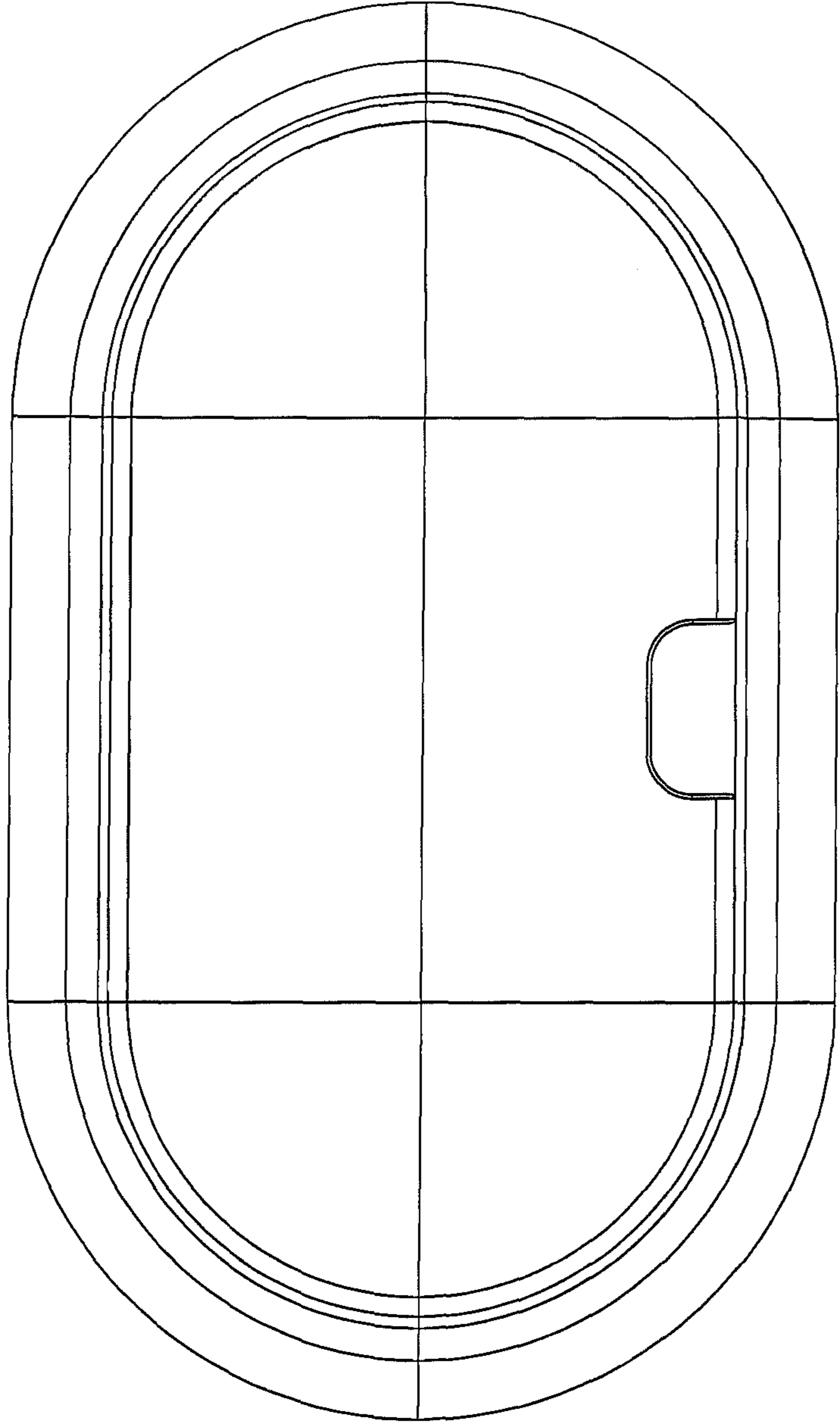


FIG. 1



FIG. 2

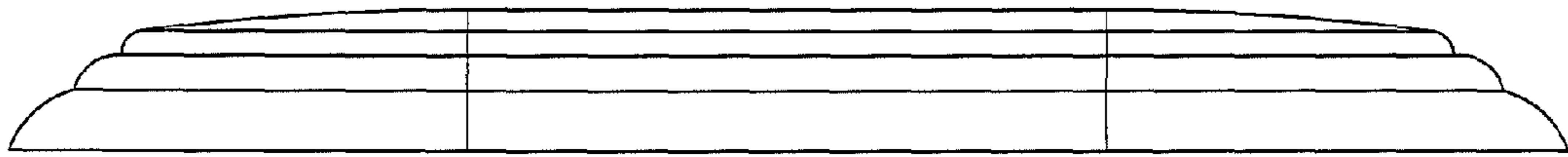


FIG. 3

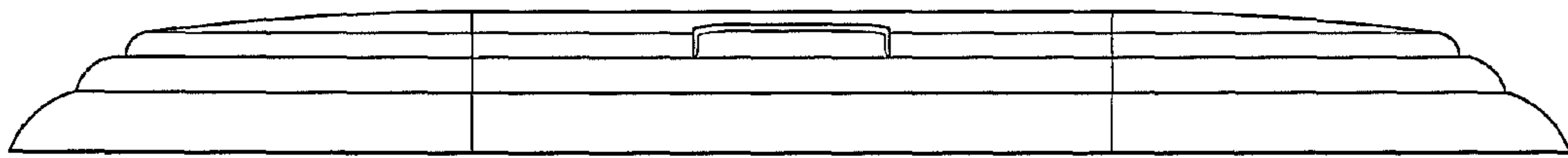


FIG. 4

FIG. 5

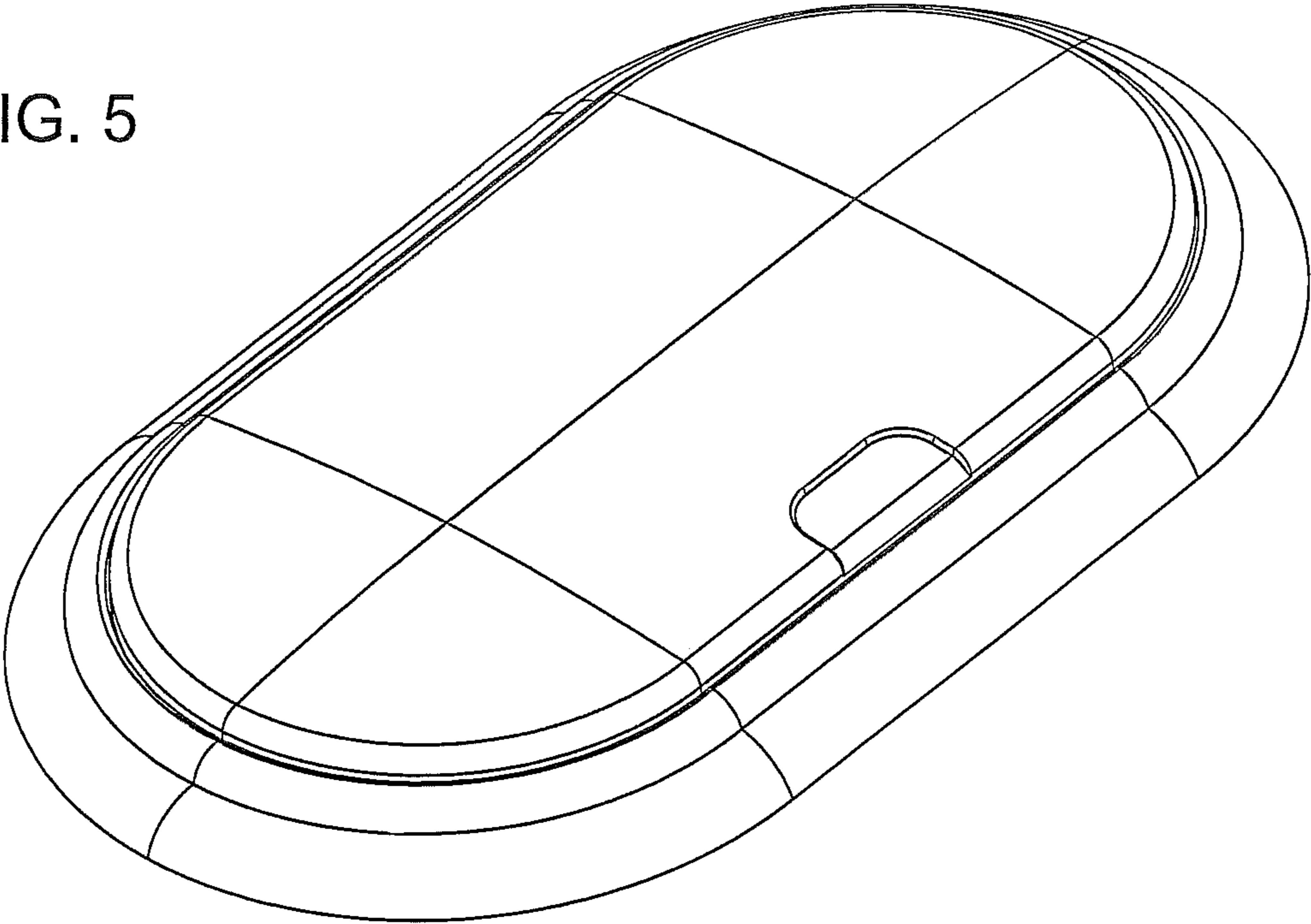


FIG. 6

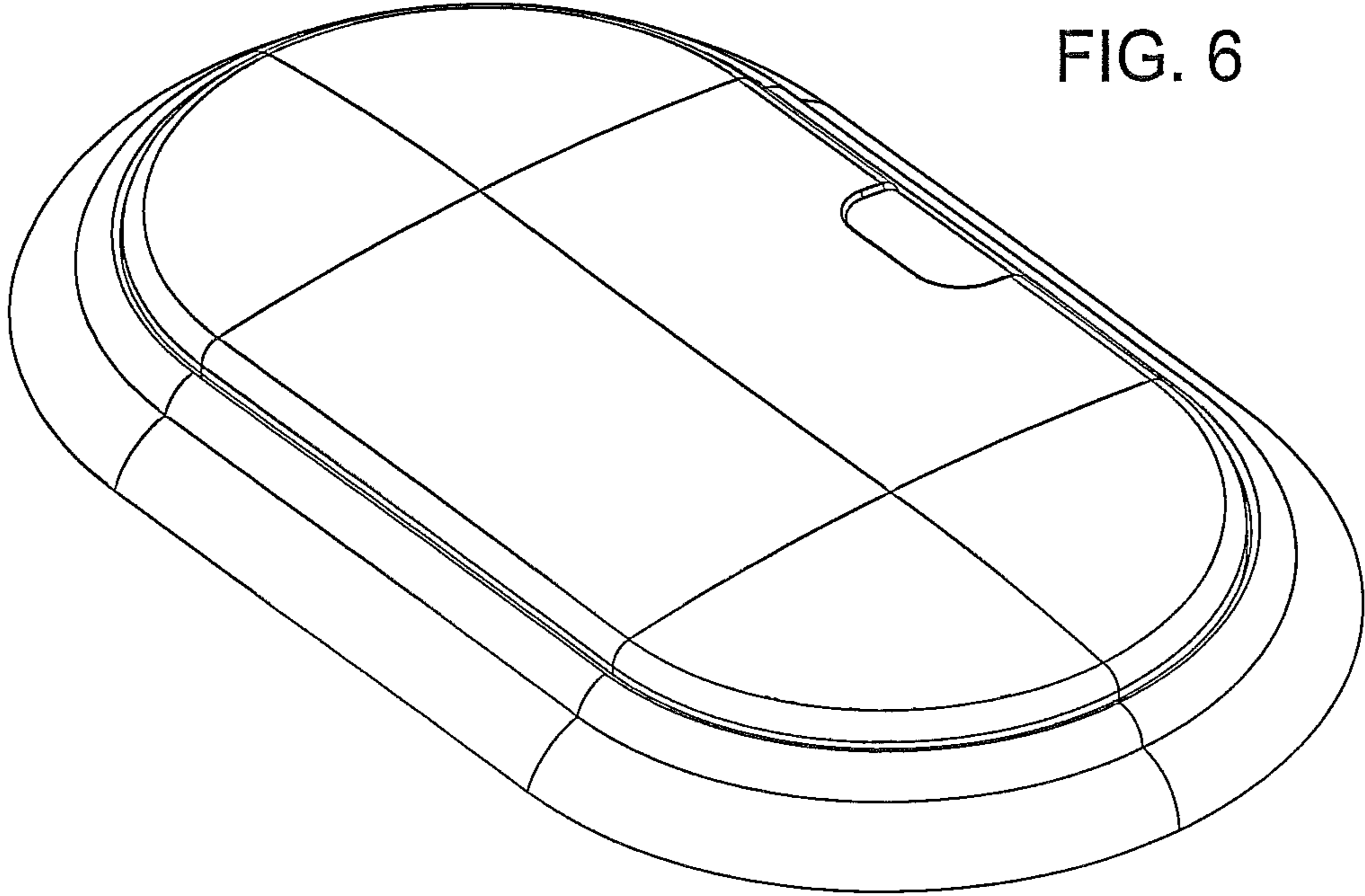
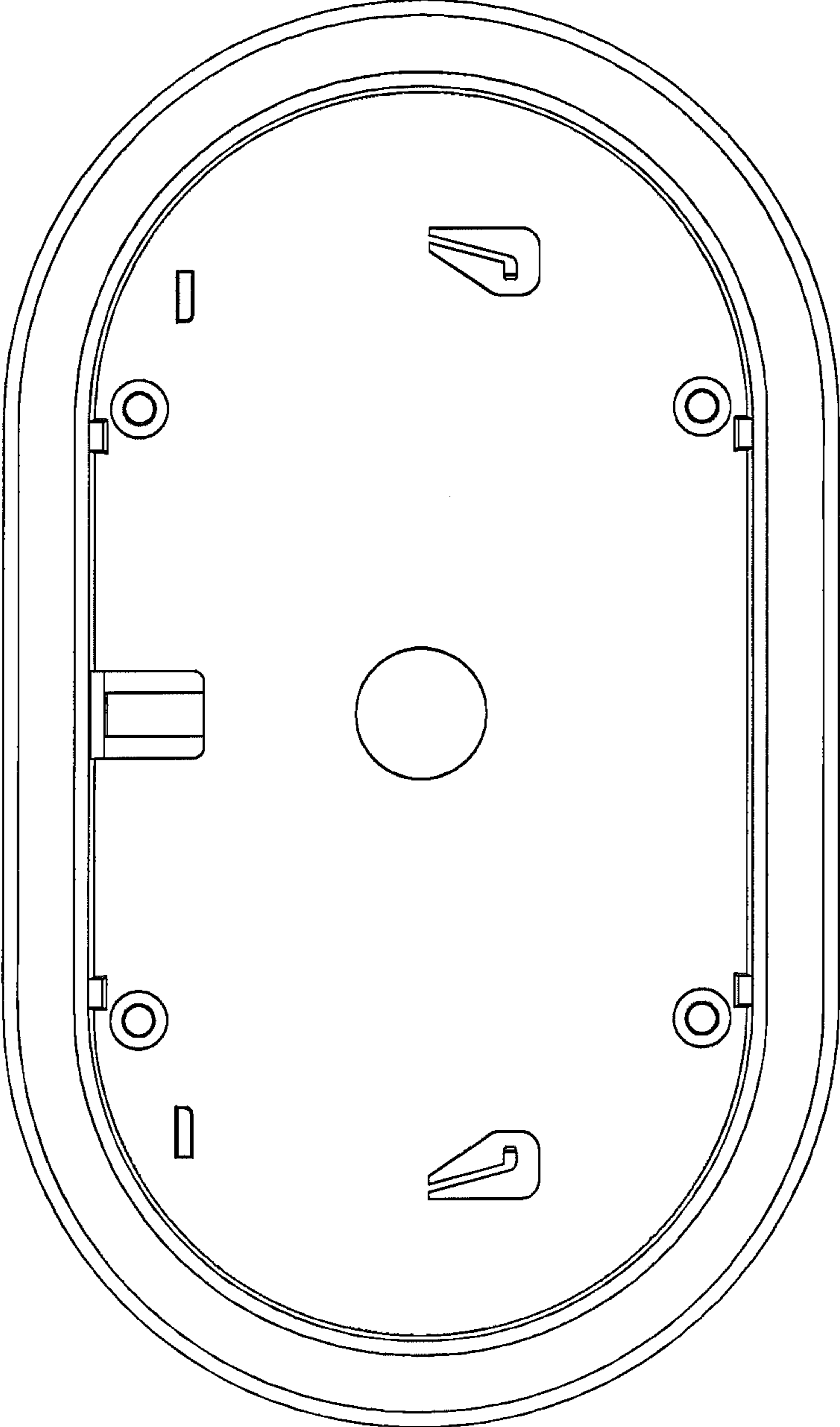


FIG. 7



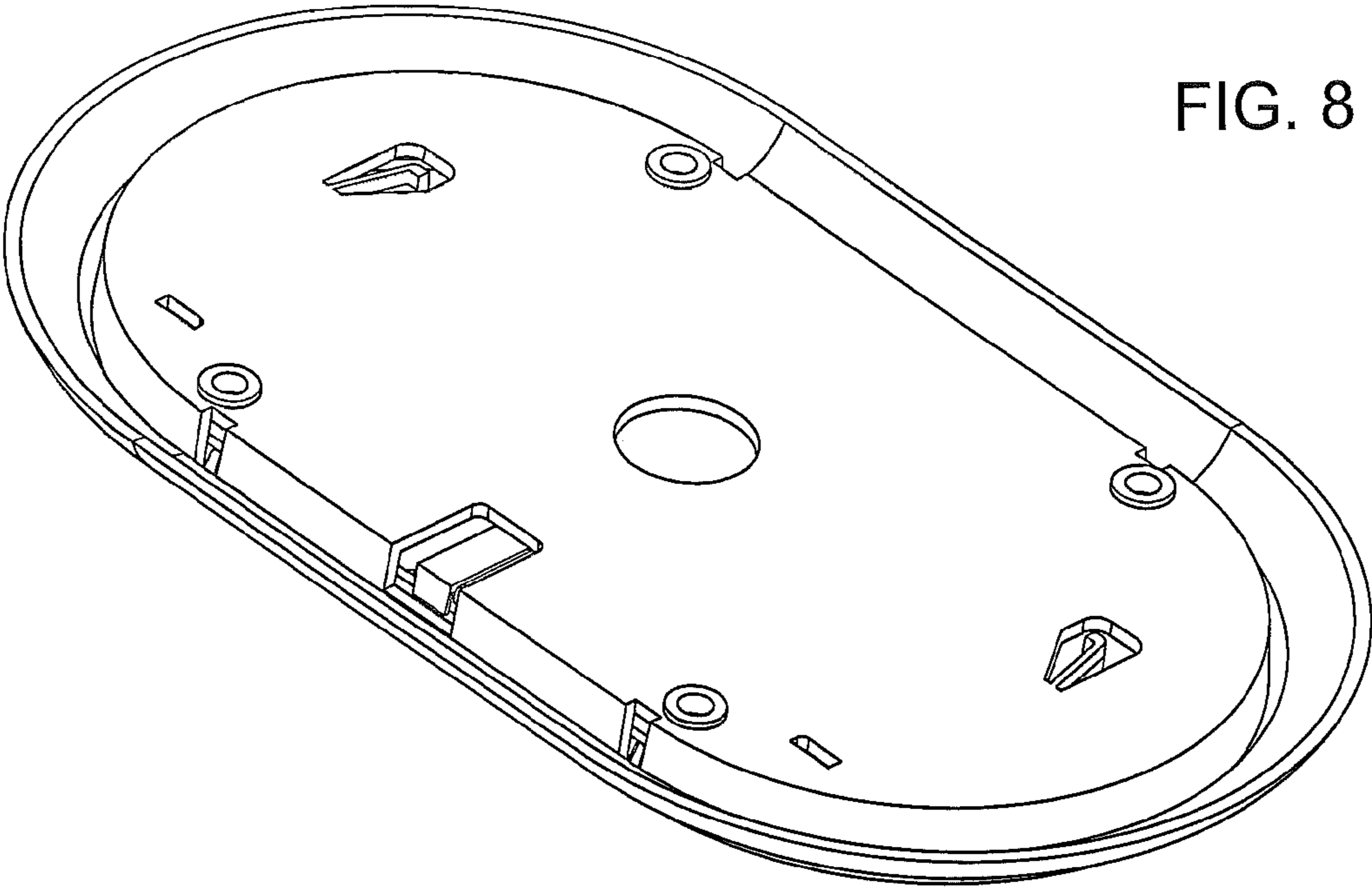


FIG. 8

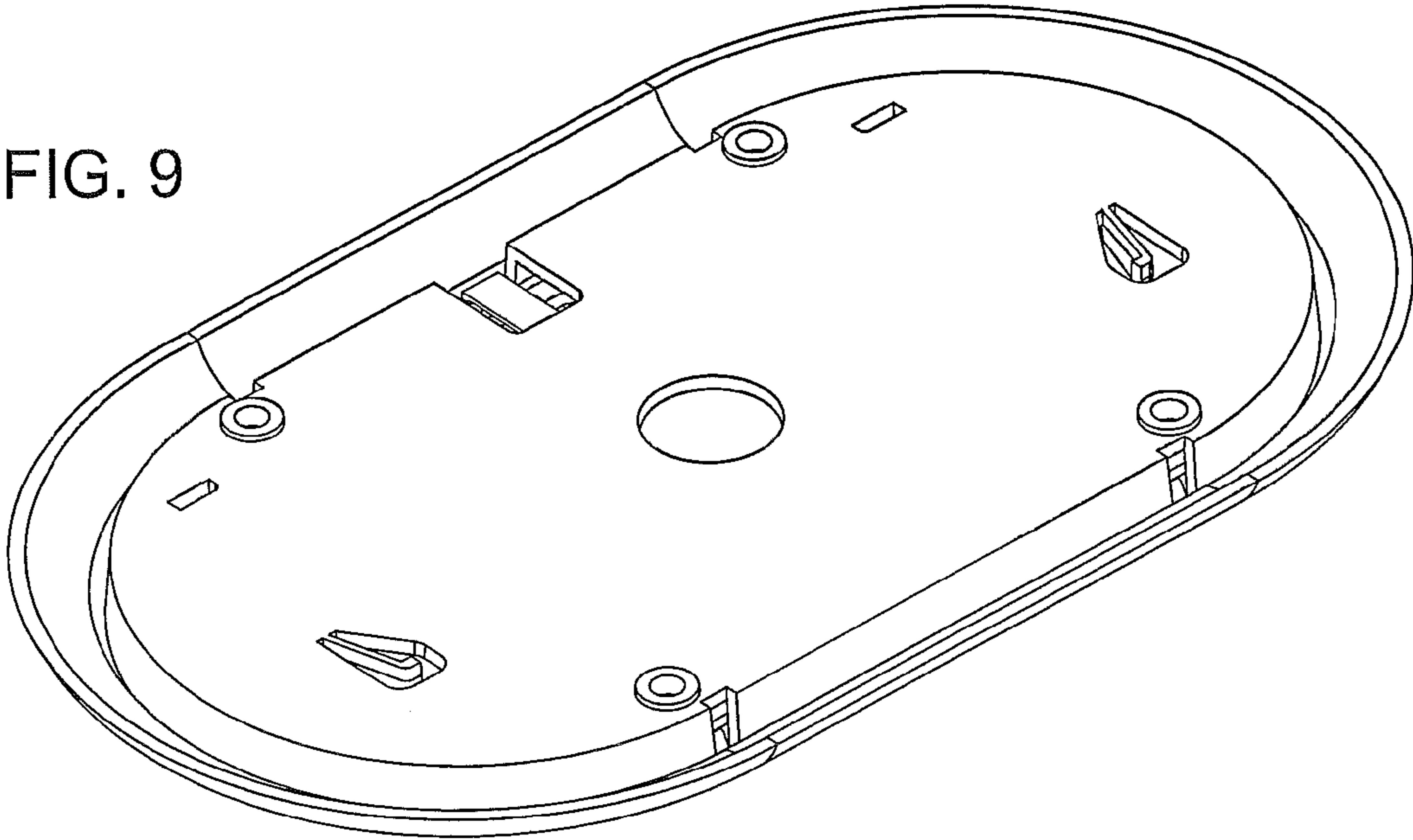


FIG. 9

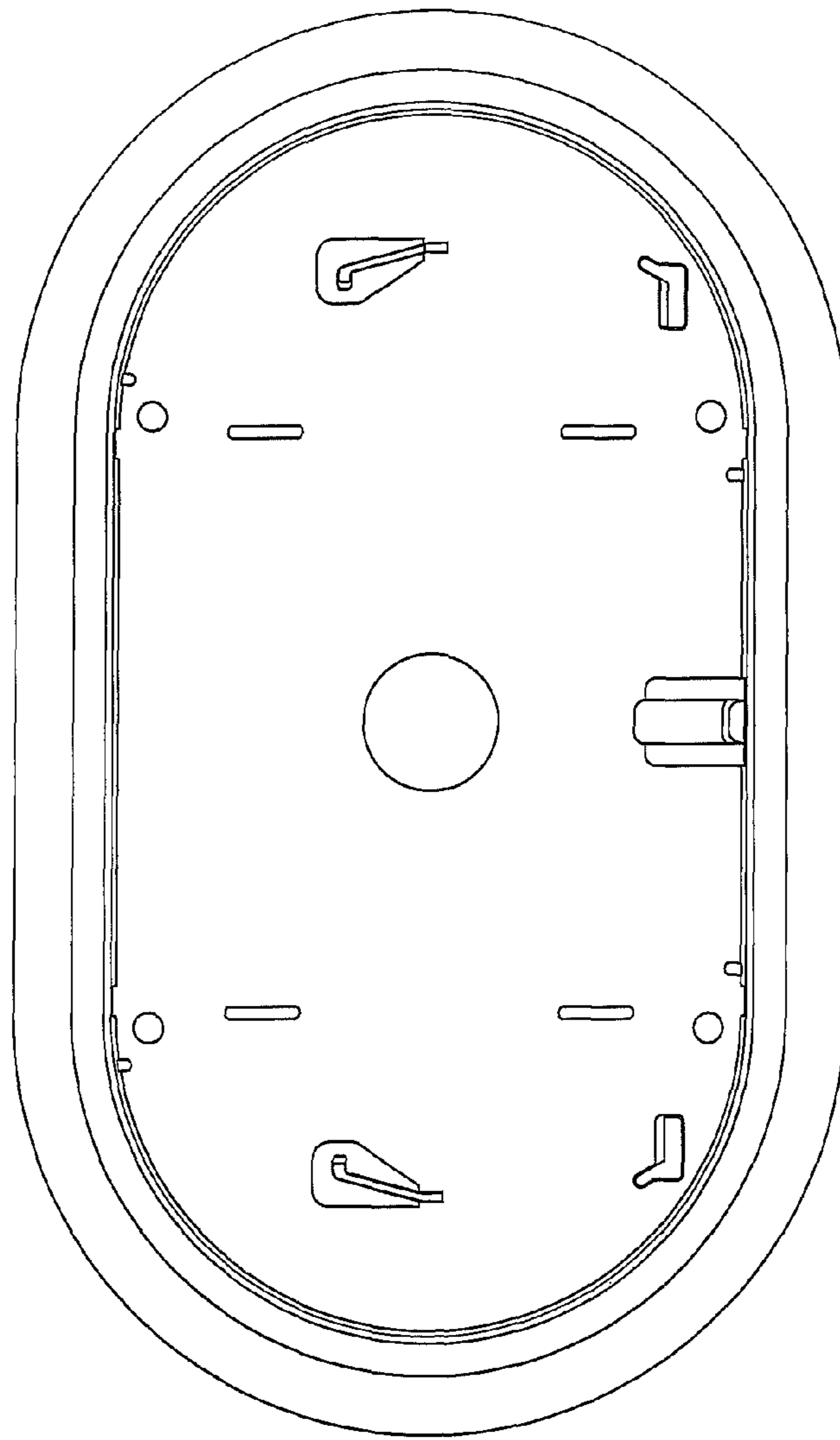


FIG. 10

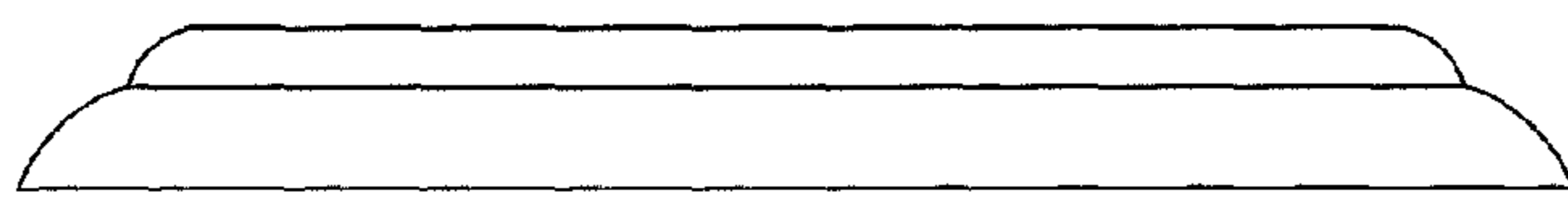


FIG. 11

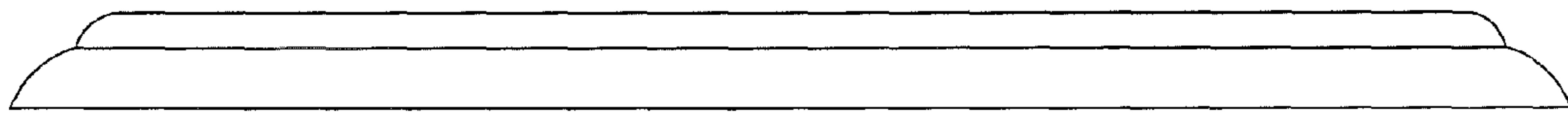


FIG. 12

FIG. 13

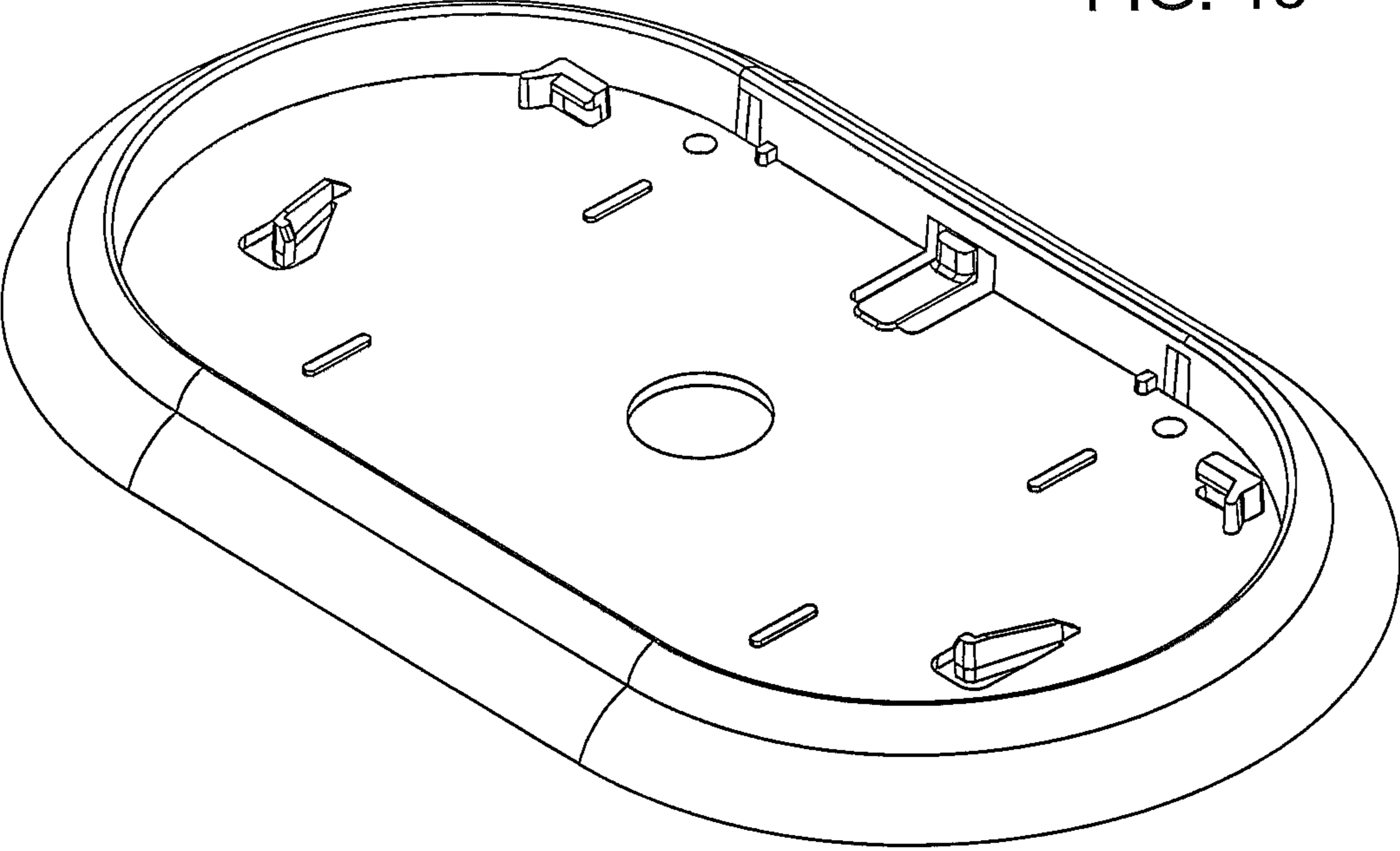


FIG. 14

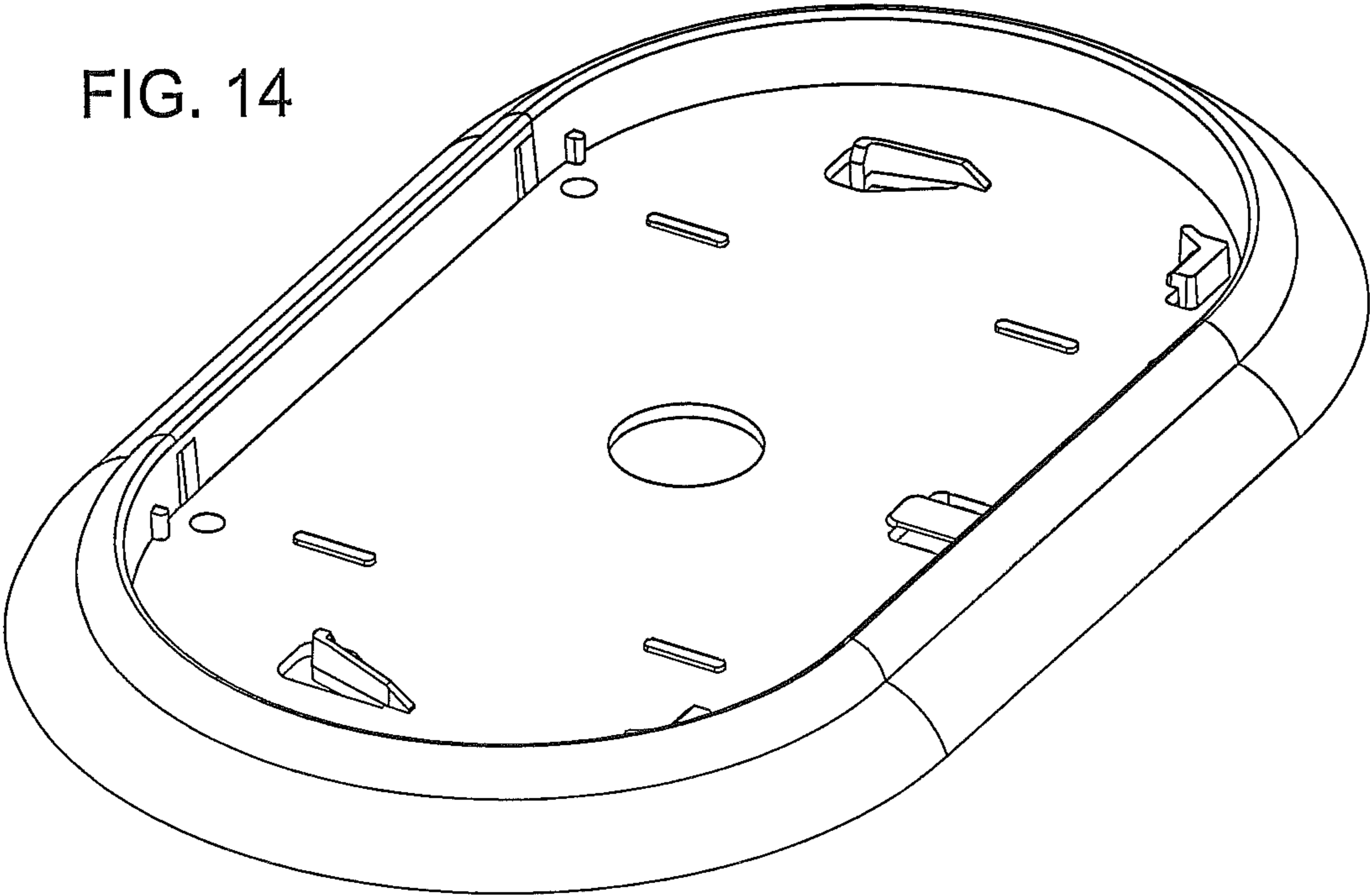


FIG. 15

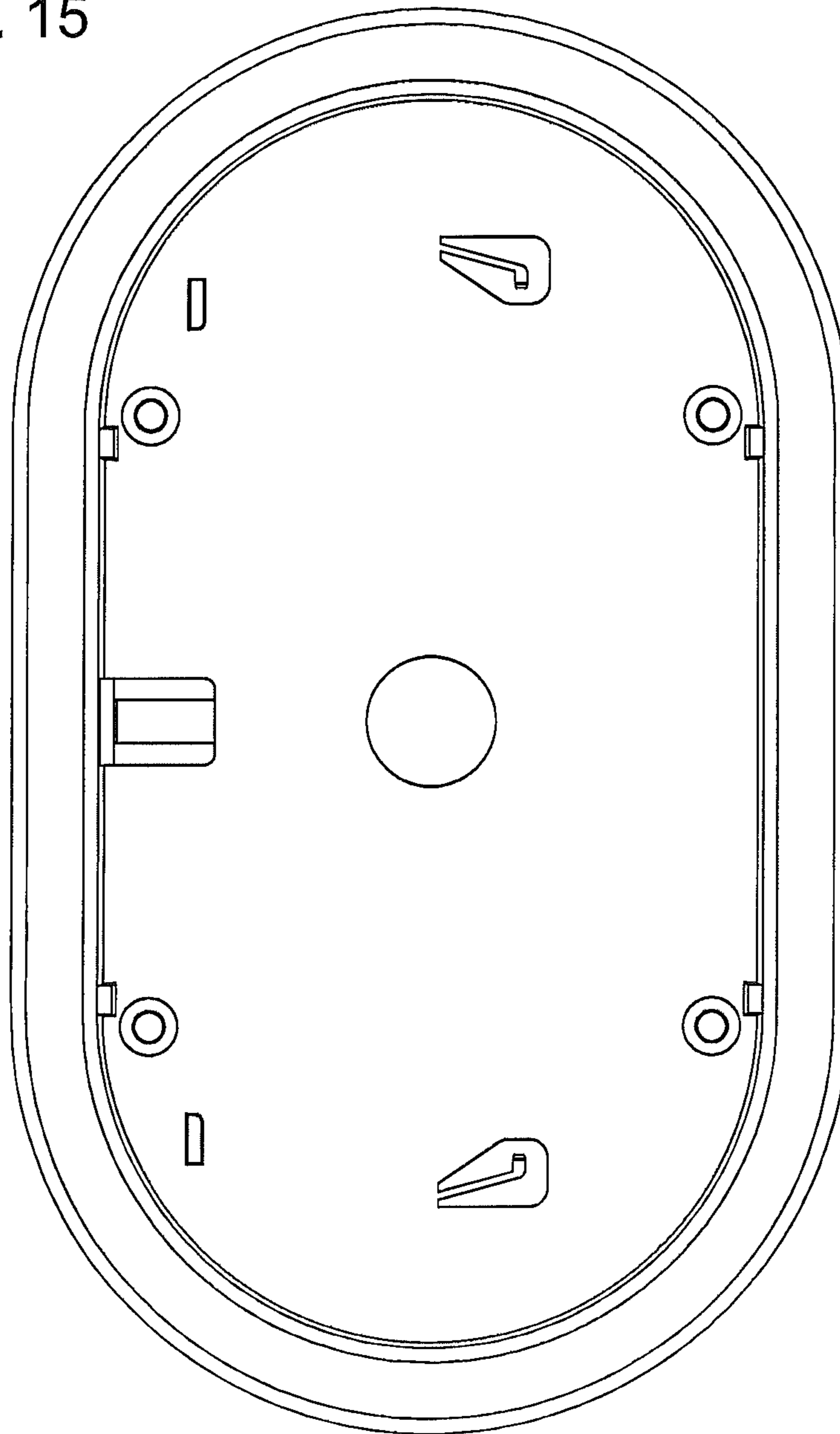


FIG. 16

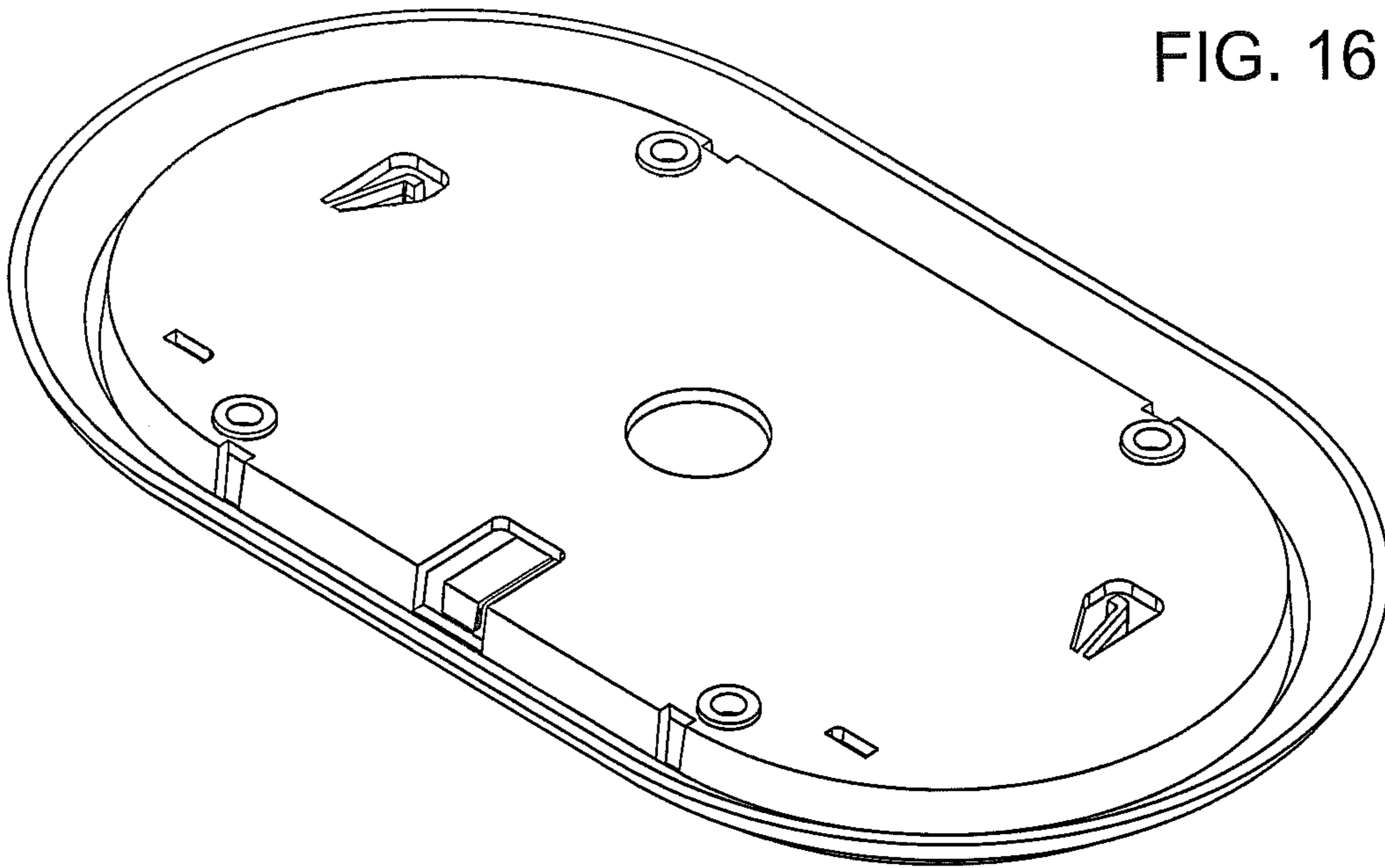
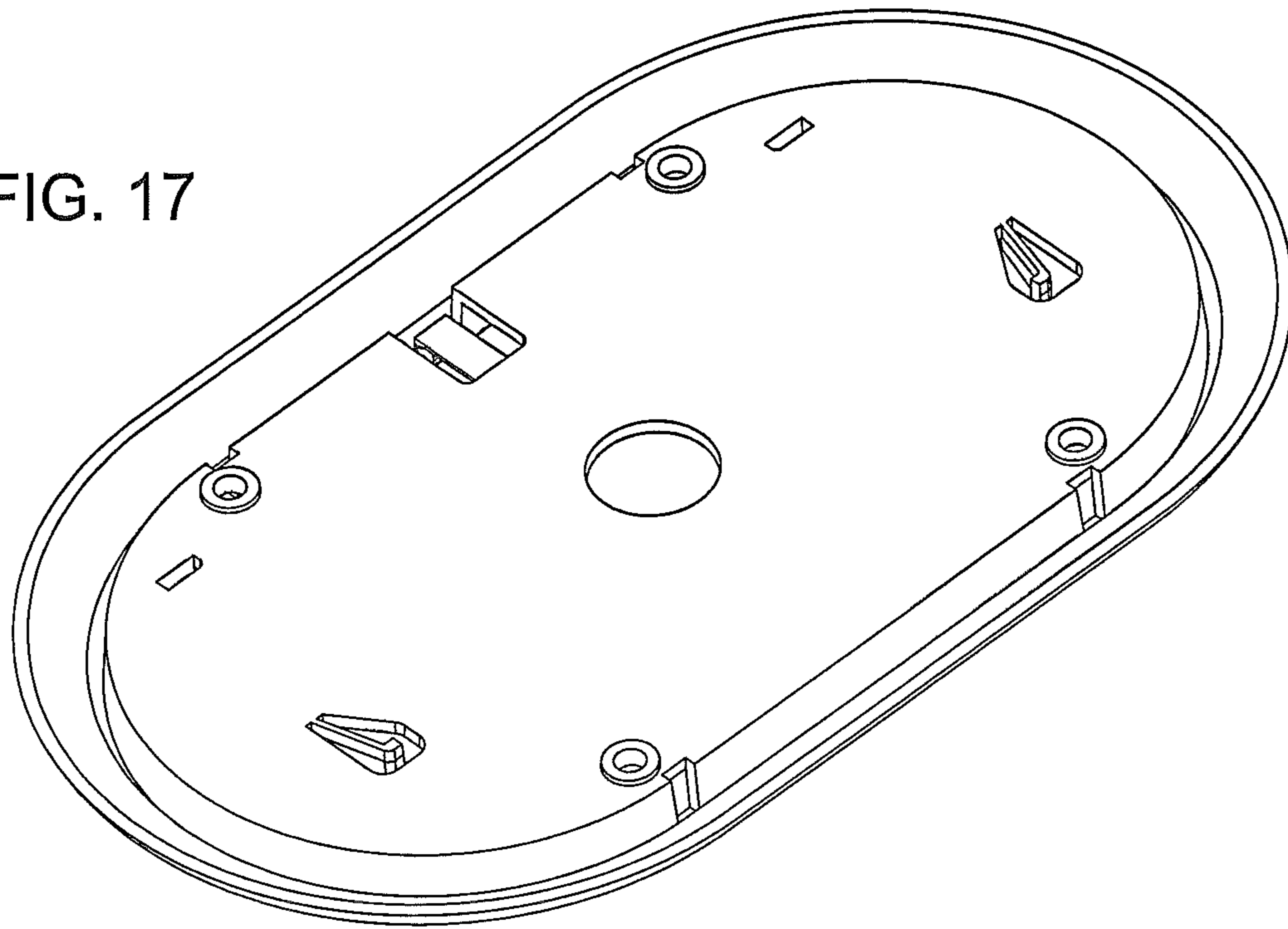


FIG. 17



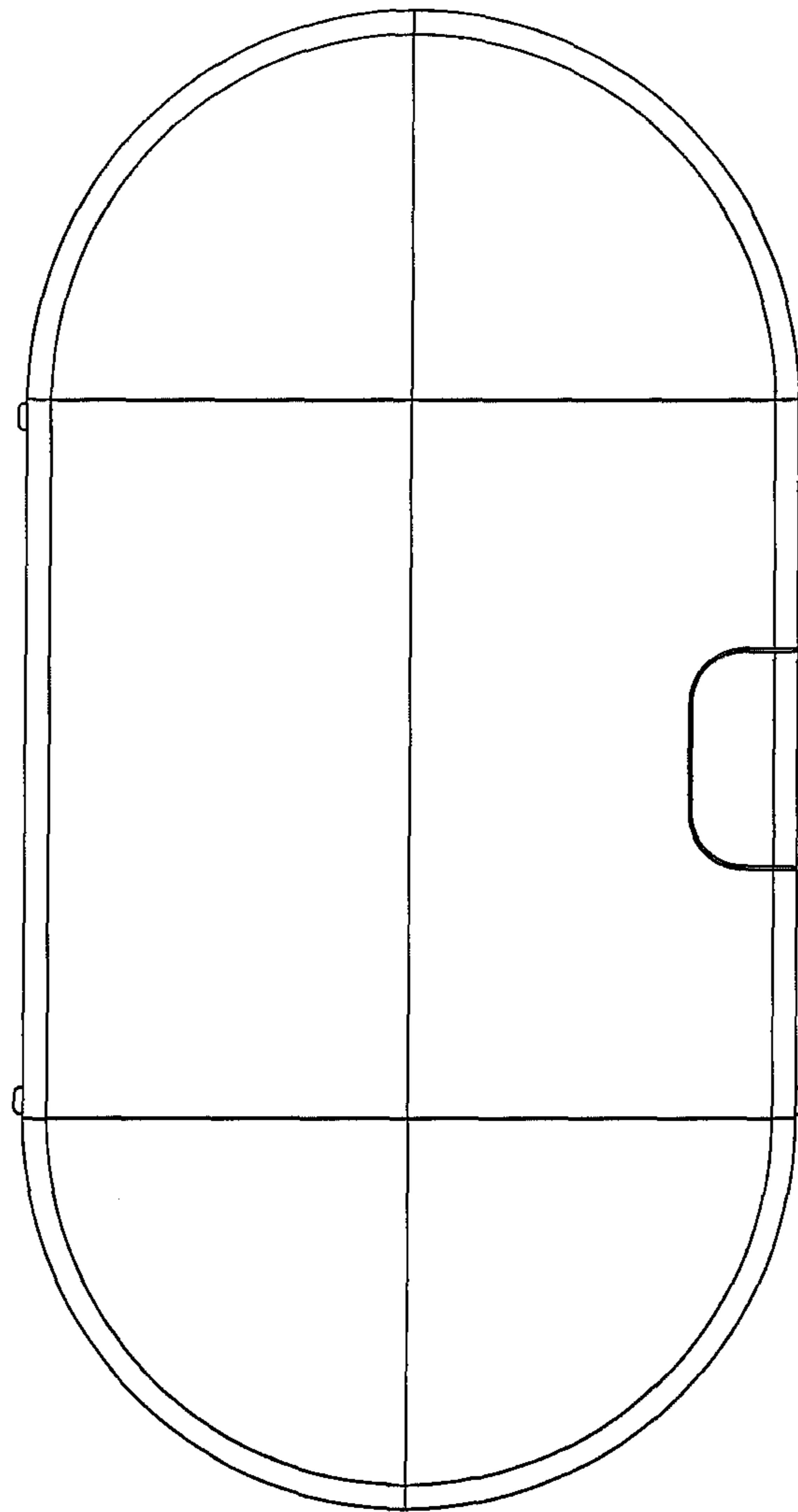


FIG. 18



FIG. 19

FIG. 24

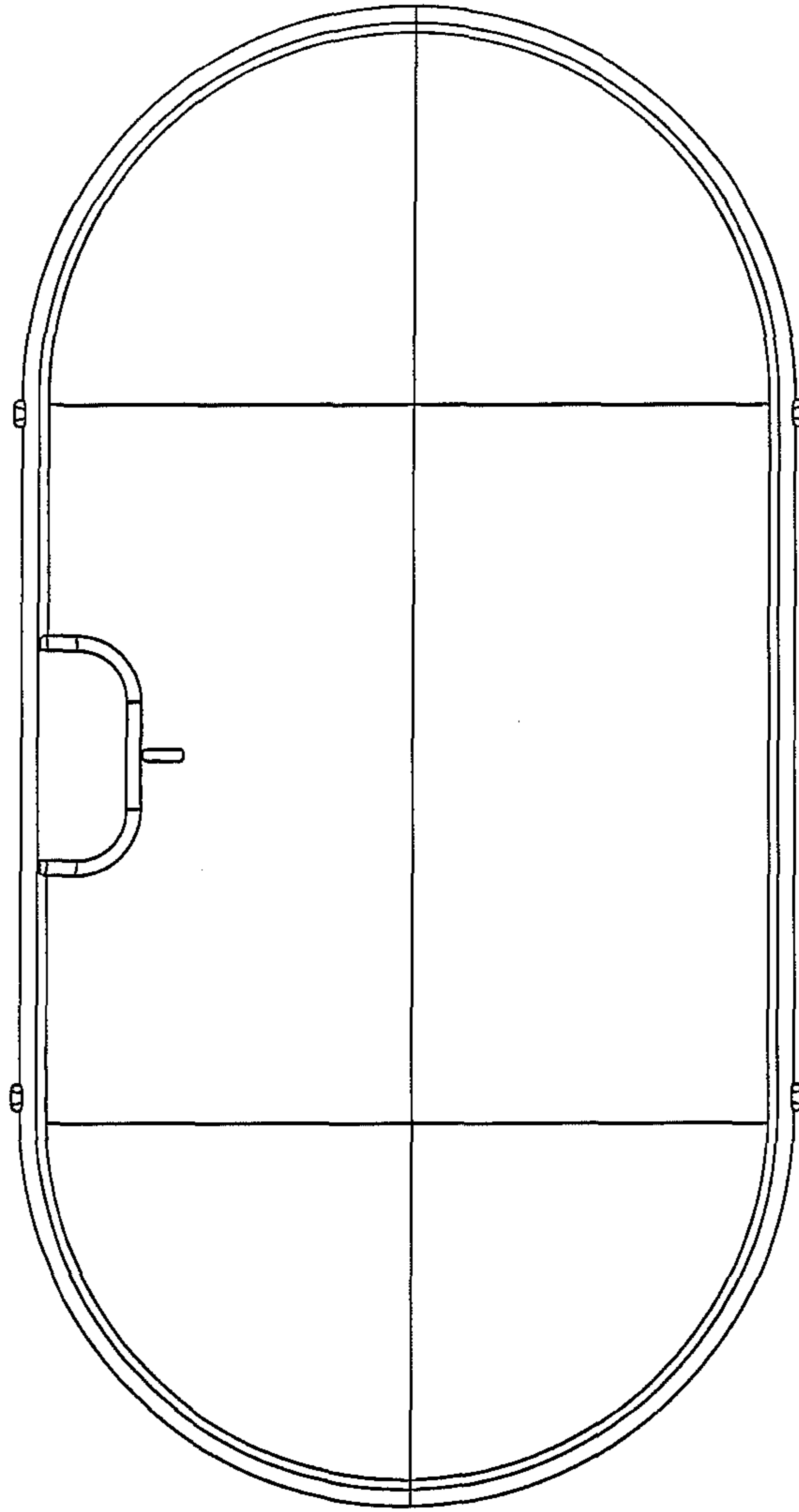


FIG. 20



FIG. 21

FIG. 22

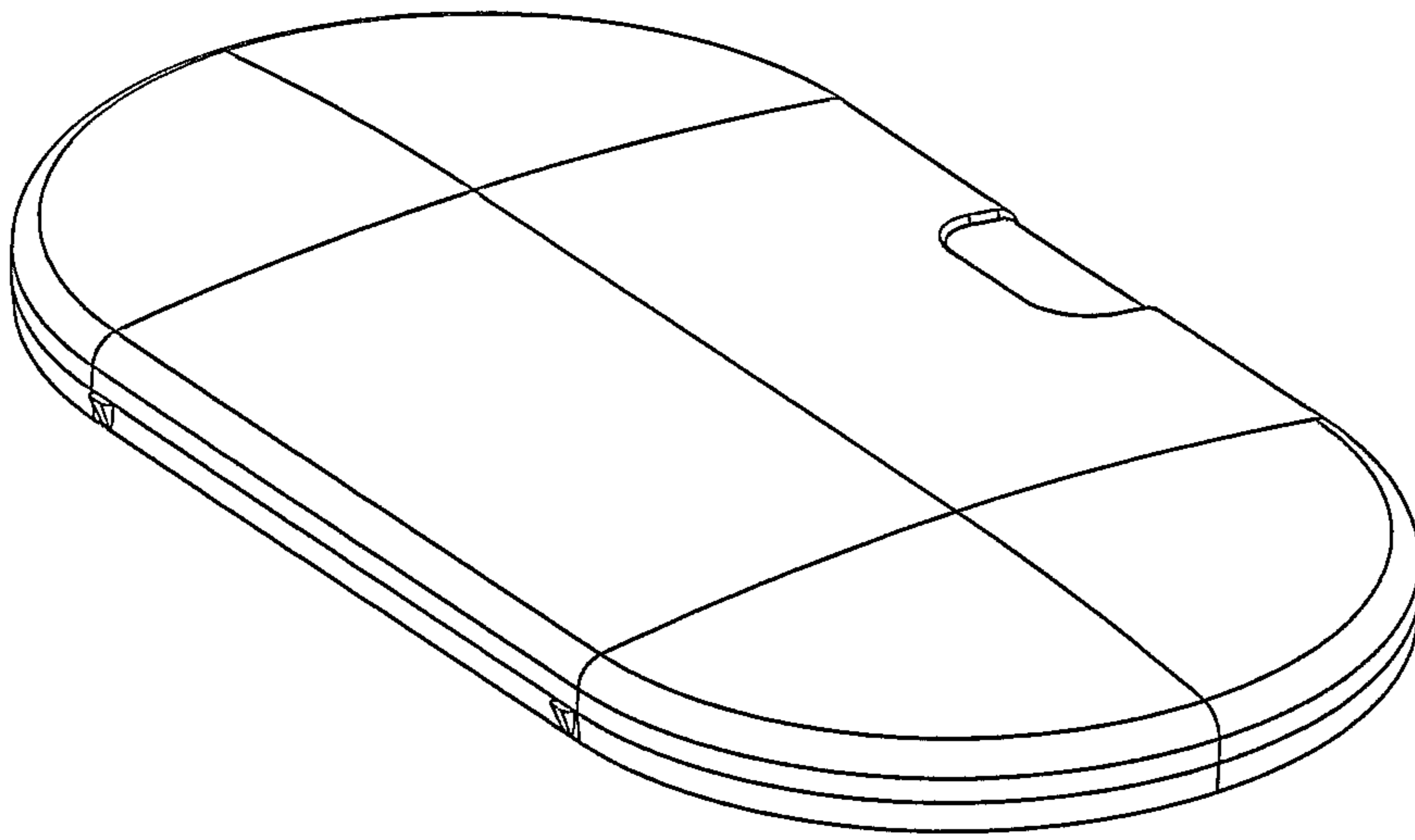
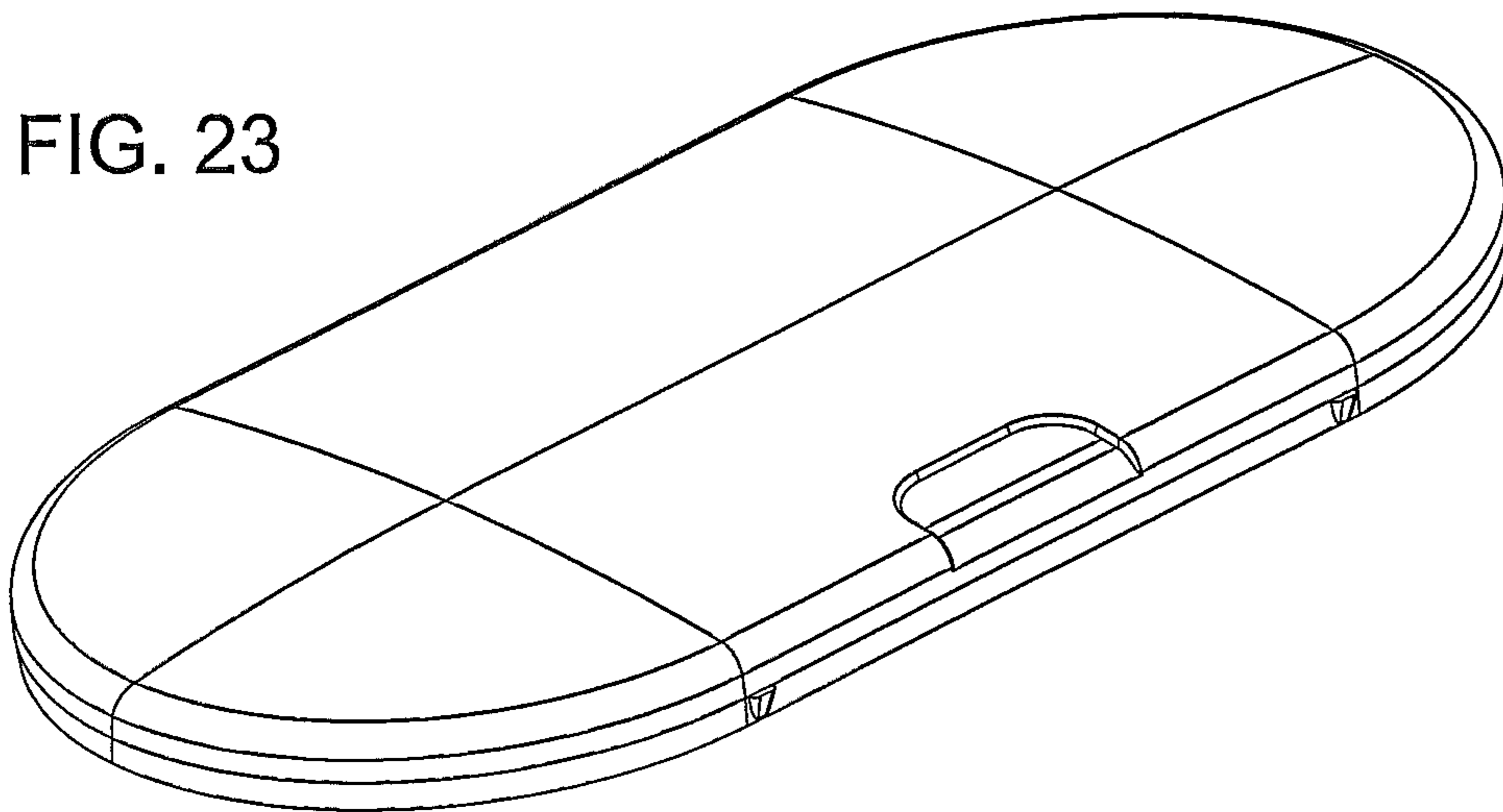


FIG. 23



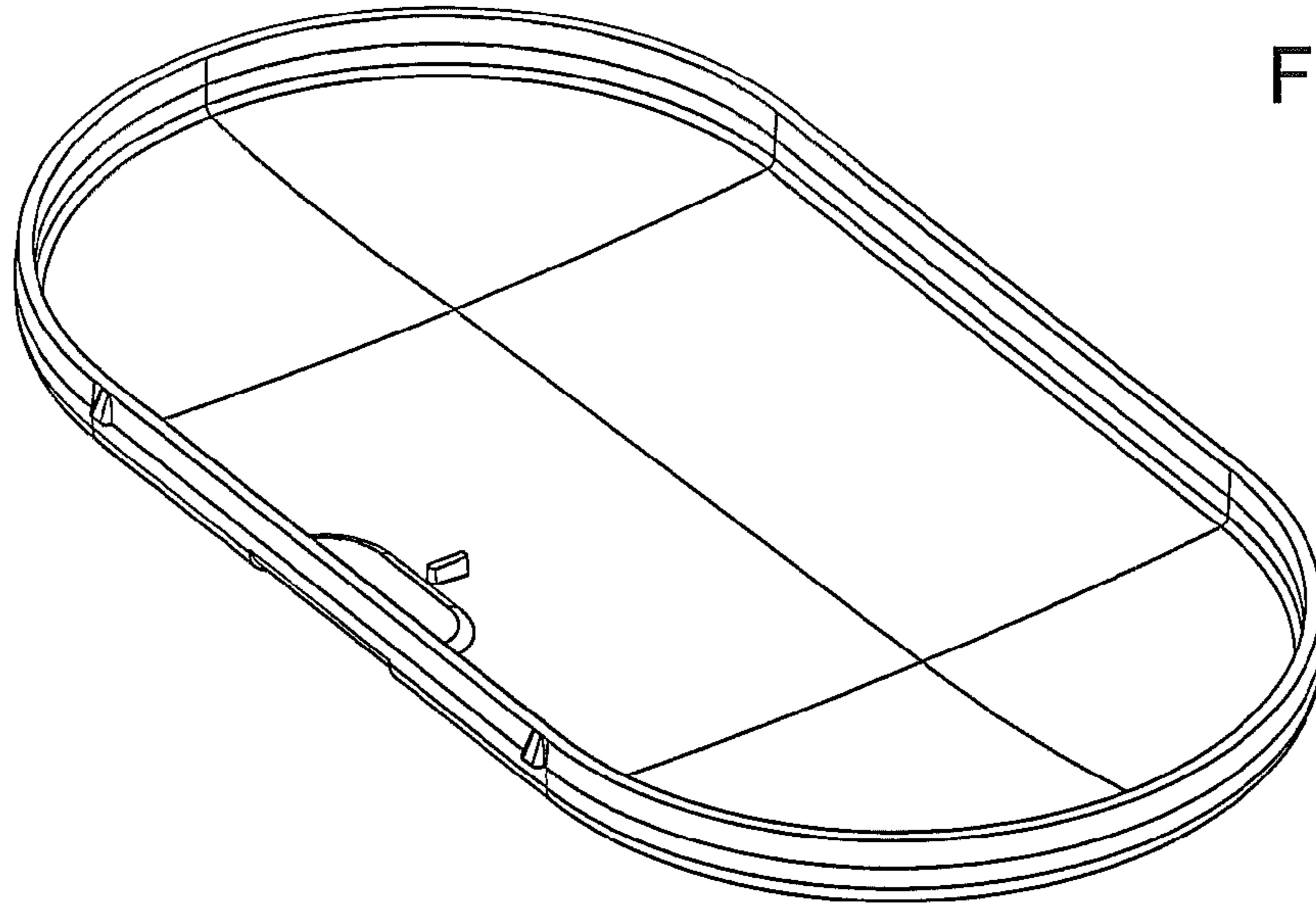


FIG. 25

FIG. 26

