



US00D735906S

(12) **United States Design Patent**
Fukui et al.

(10) **Patent No.:** **US D735,906 S**
(45) **Date of Patent:** **** Aug. 4, 2015**

(54) **FRONT COMBINATION LAMP FOR AN AUTOMOBILE**

(71) Applicants: **Hirofumi Fukui**, Kariya (JP); **Daisuke Nagayasu**, Kariya (JP)

(72) Inventors: **Hirofumi Fukui**, Kariya (JP); **Daisuke Nagayasu**, Kariya (JP)

(73) Assignee: **Toyota Jidosha Kabushiki Kaisha**, Toyota-shi, Aichi-ken (JP)

(**) Term: **14 Years**

(21) Appl. No.: **29/435,670**

(22) Filed: **Oct. 26, 2012**

Related U.S. Application Data

(62) Division of application No. 29/388,638, filed on Mar. 31, 2011, now Pat. No. Des. 679,037.

(51) **LOC (10) Cl.** **26-06**

(52) **U.S. Cl.**
USPC **D26/28**

(58) **Field of Classification Search**
USPC D26/28-36; 362/459-468, 475-478, 362/485-487

CPC . F21S 48/1233; F21S 48/335; F21S 48/1388; F21S 48/10; B60Q 1/04; B60Q 1/18; B60Q 1/2607; B60Q 1/0041; B62J 6/02

See application file for complete search history.

(56) **References Cited**

U.S. PATENT DOCUMENTS

D492,046 S 6/2004 Nakamura et al.
D531,329 S 10/2006 Okamura et al.
D607,127 S * 12/2009 McMahan D26/28
D625,858 S 10/2010 Miyata

D632,813 S 2/2011 Kim et al.
D635,701 S * 4/2011 Chang et al. D26/28
D636,100 S 4/2011 Okamura et al.
D642,306 S 7/2011 Tokizane
D656,641 S * 3/2012 Oya et al. D26/28
D681,856 S * 5/2013 Tsai D26/28
D710,522 S * 8/2014 Kwon et al. D26/28

OTHER PUBLICATIONS

Catalog of Prius, Toyota Prius, Mfg. Toyota, Pub.—Toyota Jidosha Kabushiki Kaisha, Jun. 2009.

Catalog of Sai, Toyota Sai, Mfg. Toyota, Pub.—Toyota Jidosha Kabushiki Kaisha, Dec. 2009.

Lexus ES, Mfg. Toyota, netcarshow.com, URL: <http://www.netcarshow/lexus>, 2010.

Suzuki Kizashi, Mfg. Suzuki, netcarshow.com, URL: <http://www.netcarshow/suzuki>, 2010.

* cited by examiner

Primary Examiner — Wan Laymon

(74) *Attorney, Agent, or Firm* — Finnegan, Henderson, Farabow, Garrett & Dunner, LLP

(57) **CLAIM**

The ornamental design for a front combination lamp for an automobile, as shown and described.

DESCRIPTION

FIG. 1 is a front perspective view of a front combination lamp for an automobile showing our new design;

FIG. 2 is a front view thereof;

FIG. 3 is a top plan view thereof;

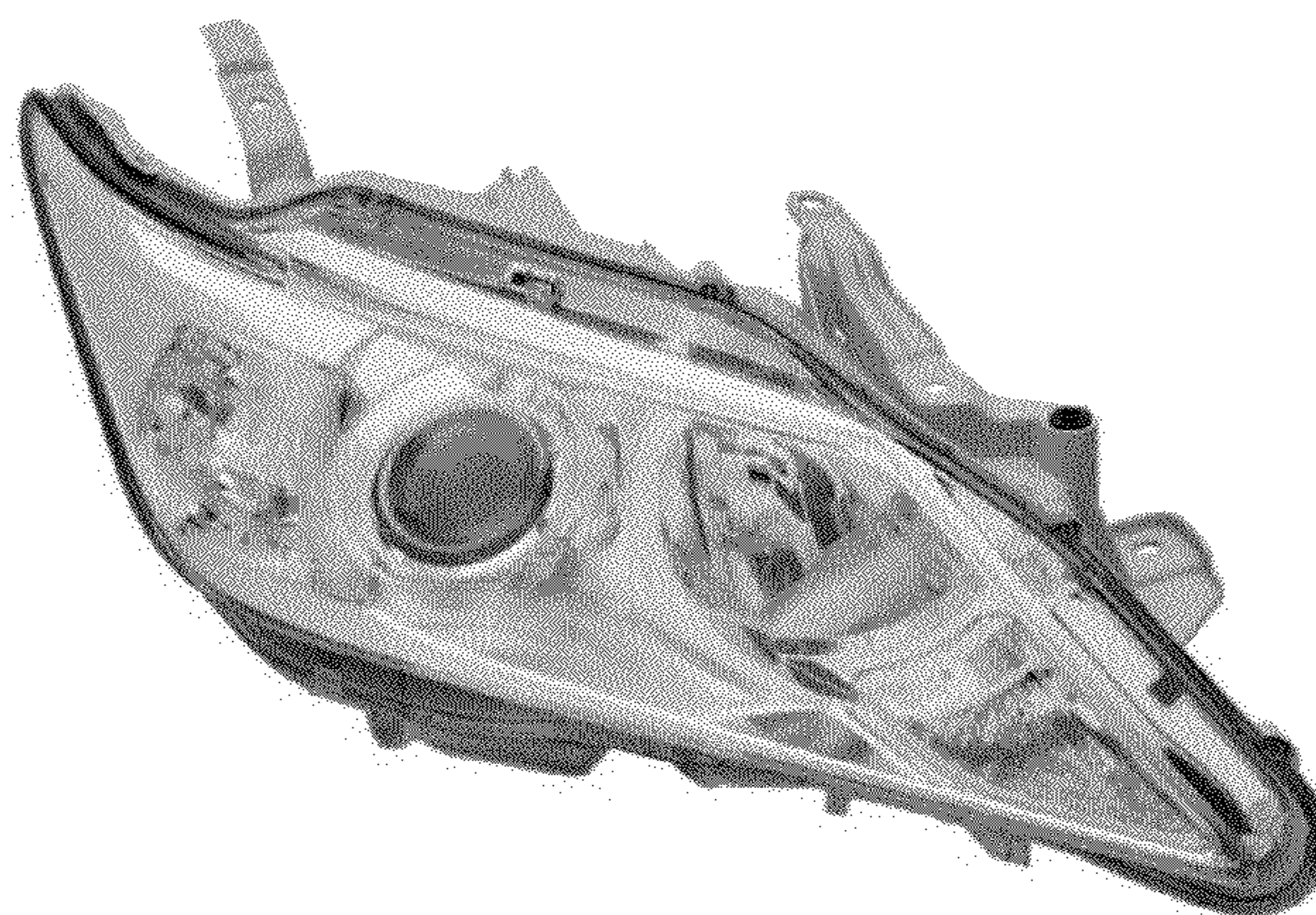
FIG. 4 is a bottom view thereof;

FIG. 5 is a right side view thereof; and,

FIG. 6 is a left side view thereof.

Our design includes the mirror image of the embodiment depicted.

1 Claim, 3 Drawing Sheets



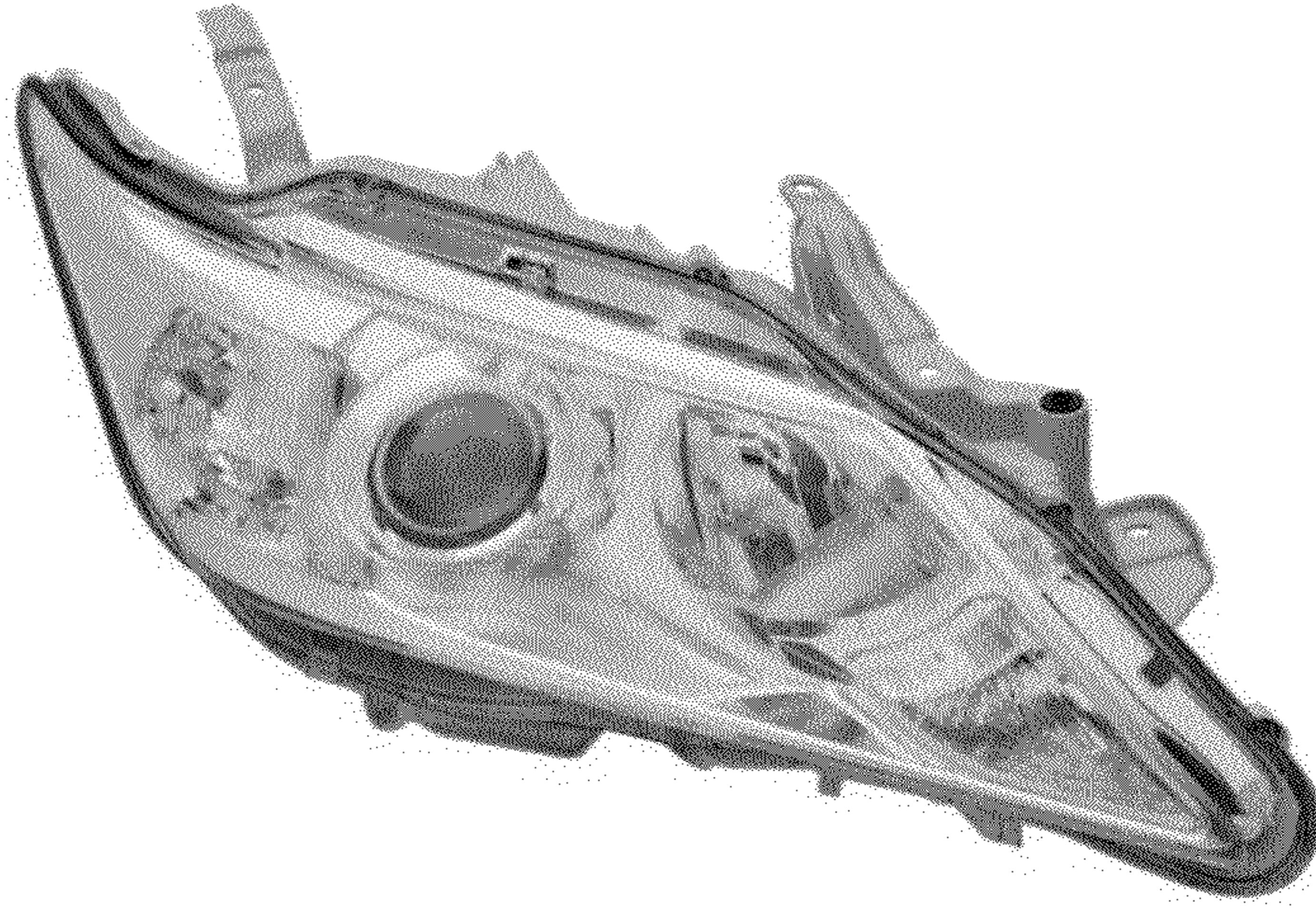


FIG. 1

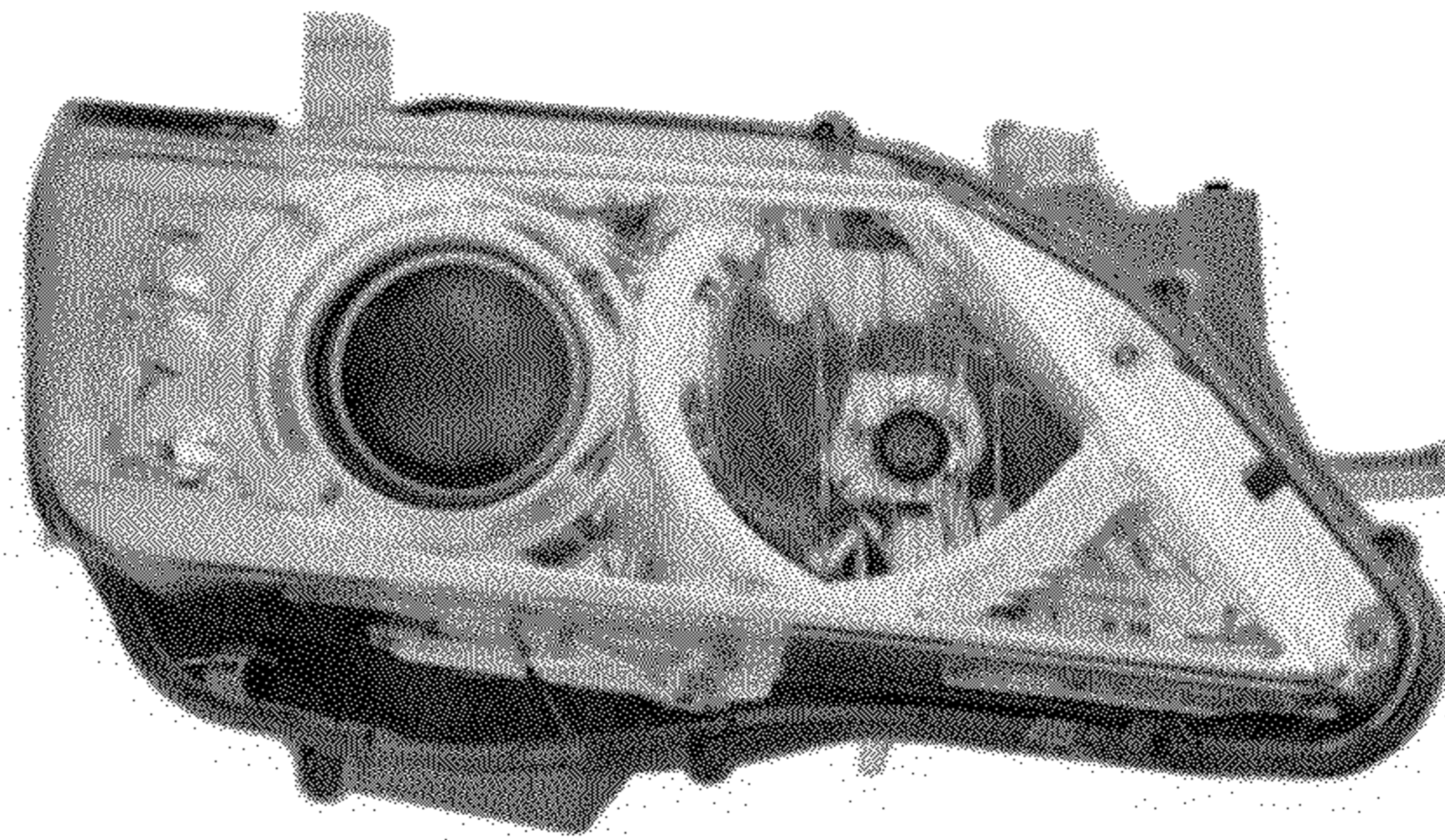


FIG. 2

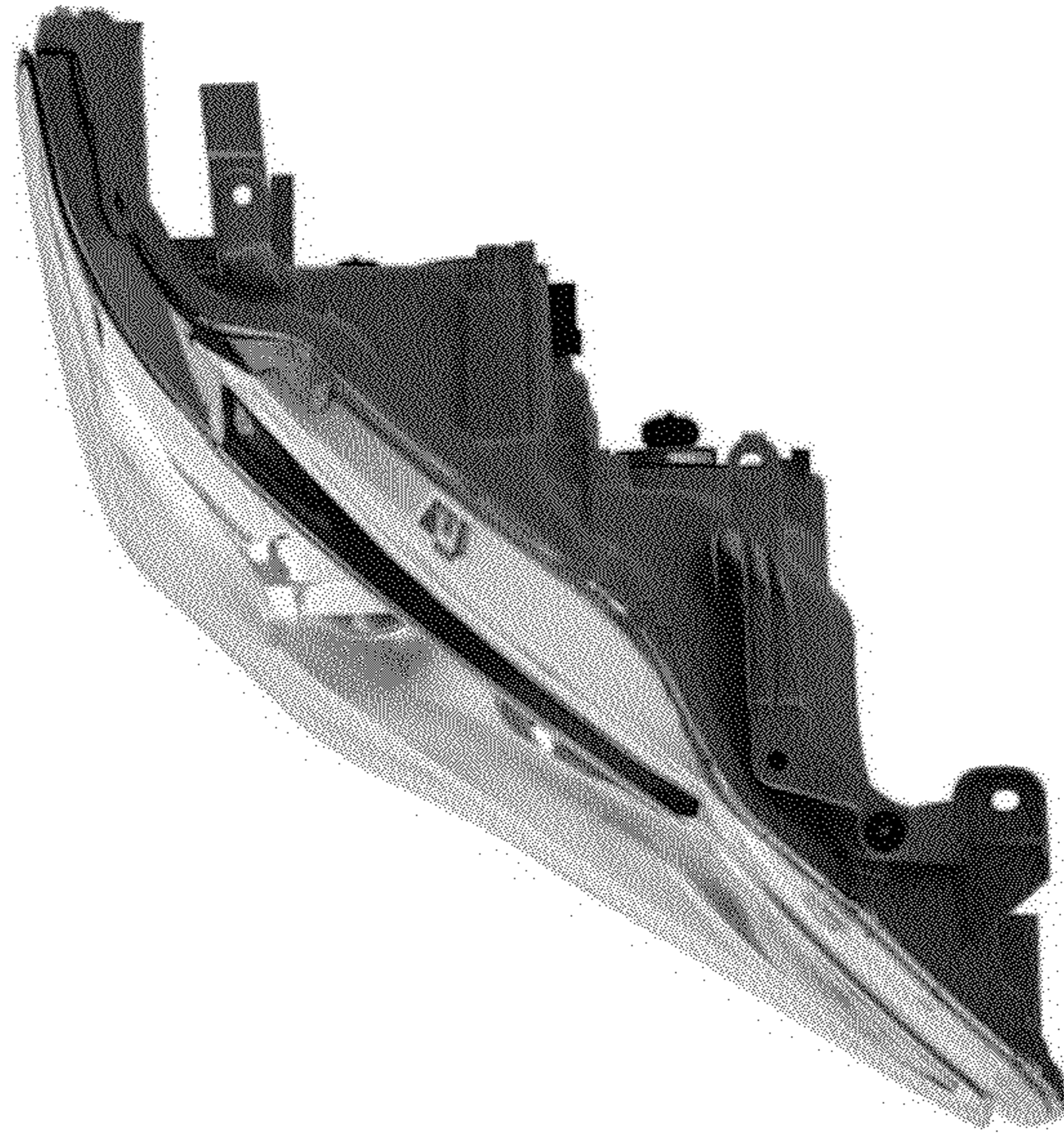


FIG. 3

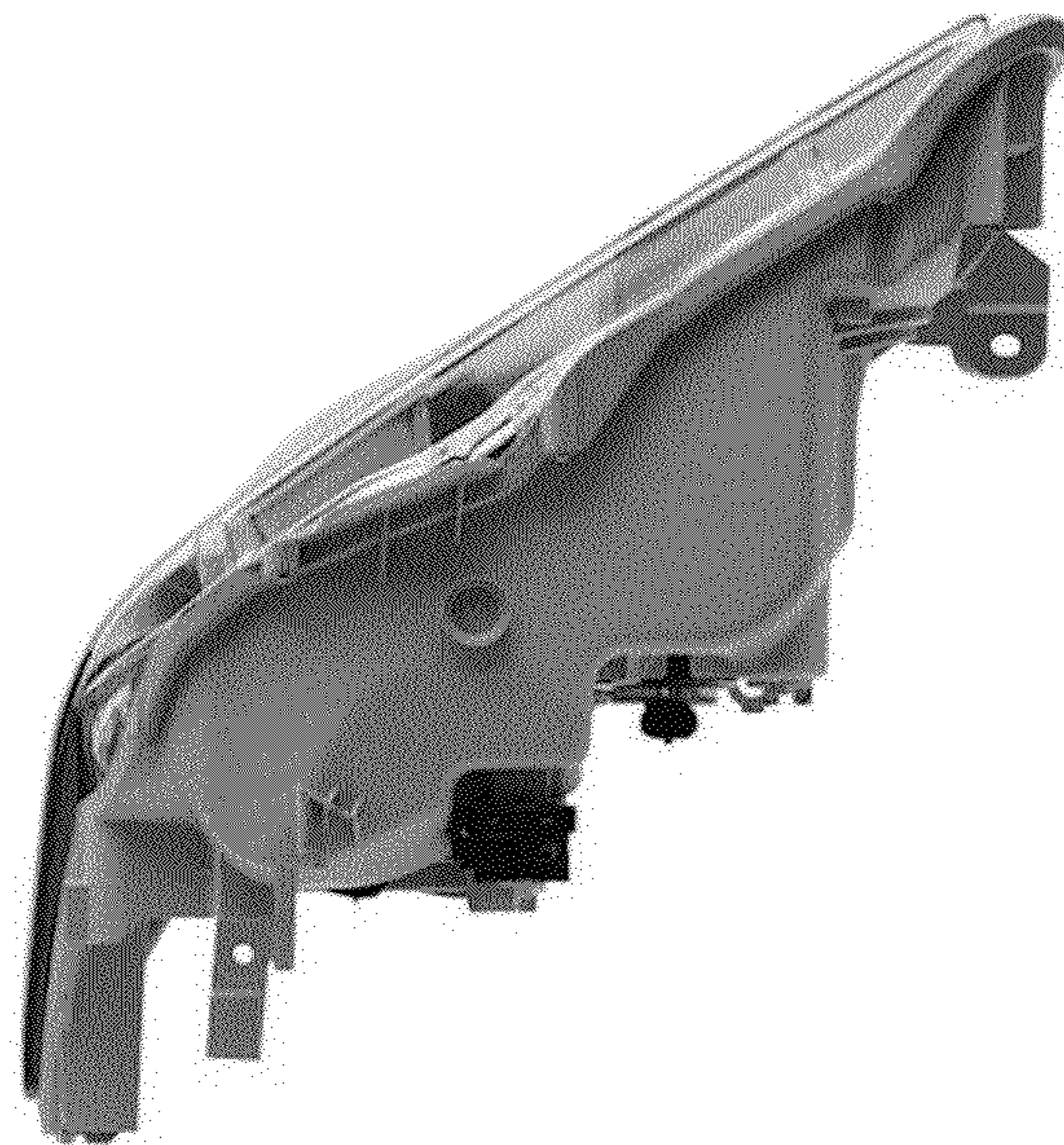


FIG. 4

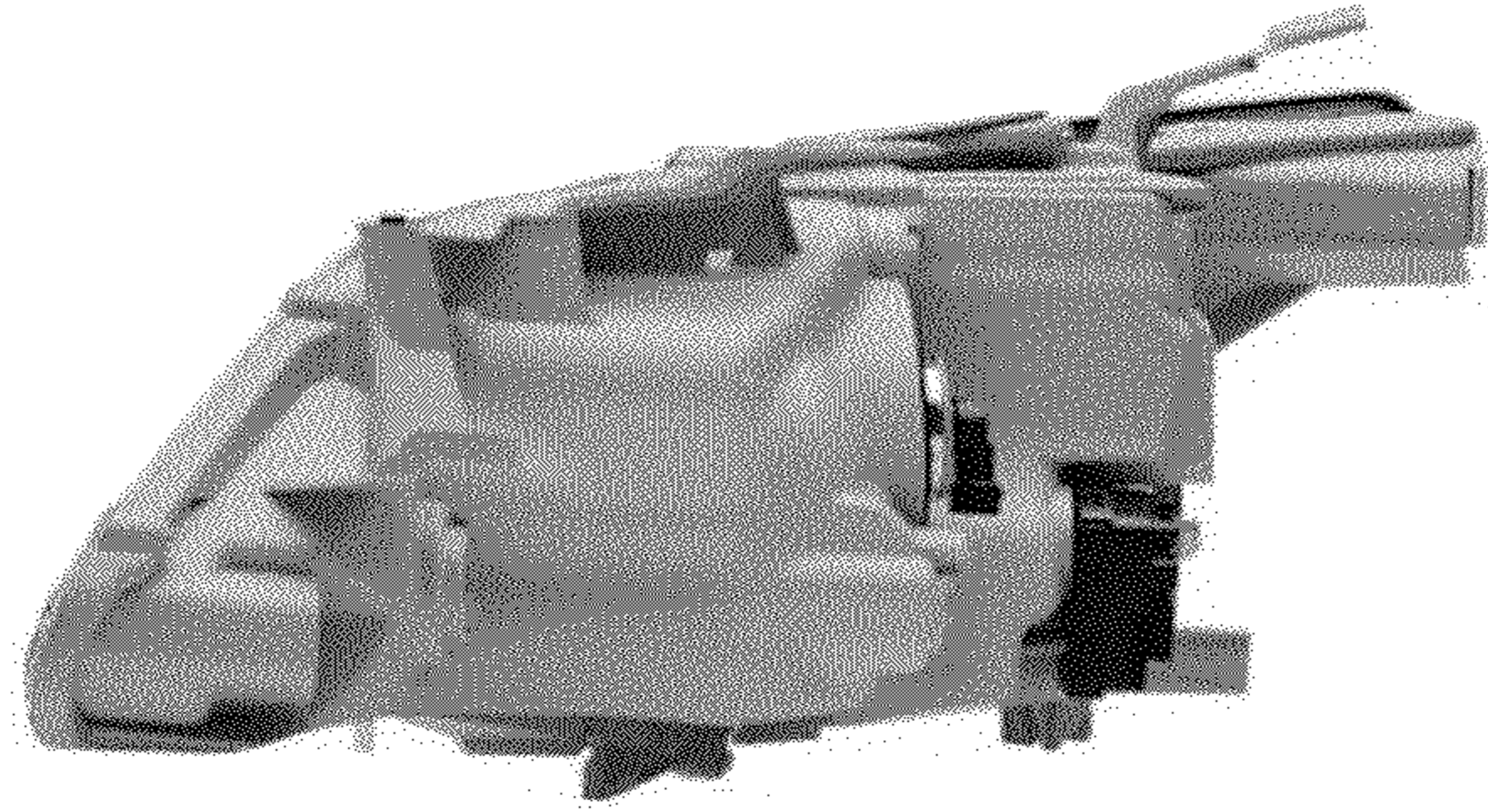


FIG. 5

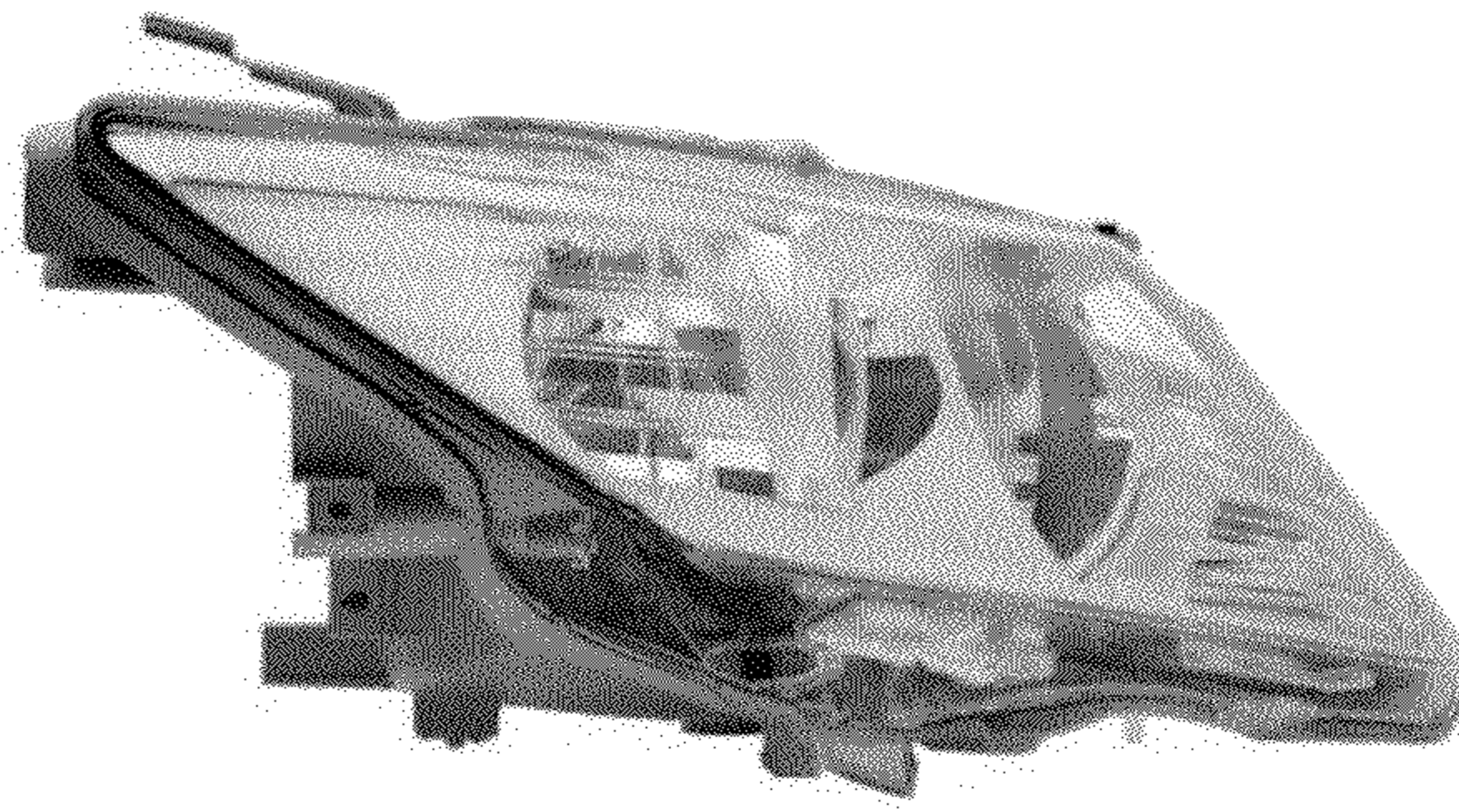


FIG. 6