



US00D735904S

(12) **United States Design Patent**
Qiu

(10) **Patent No.:** **US D735,904 S**

(45) **Date of Patent:** **** Aug. 4, 2015**

(54) **LAMP**

(71) Applicant: **Ningbo Futai Electric Limited**, Ningbo (CN)

(72) Inventor: **Fujun Qiu**, Ningbo (CN)

(73) Assignee: **Ningbo Futai Electric Limited**, Ningbo (CN)

(**) Term: **14 Years**

(21) Appl. No.: **29/479,947**

(22) Filed: **Jan. 22, 2014**

(51) **LOC (10) Cl.** **26-04**

(52) **U.S. Cl.**
USPC **D26/2**

(58) **Field of Classification Search**
USPC D26/1-4; 313/313, 315, 316, 317, 318,
313/493; 315/52, 53, 56, 57, 58
See application file for complete search history.

(56) **References Cited**

U.S. PATENT DOCUMENTS

D531,741 S * 11/2006 Takahashi D26/2
D538,953 S * 3/2007 Mama D26/2

D548,369 S * 8/2007 Bembridge D26/2
D549,360 S * 8/2007 An D26/2
D550,864 S * 9/2007 Hernandez et al. D26/2
D553,267 S * 10/2007 Yuen D26/2
D602,614 S * 10/2009 Takahashi et al. D26/2
D629,535 S * 12/2010 Lee D26/2
D662,234 S * 6/2012 Zhou D26/2

* cited by examiner

Primary Examiner — Marcus Jackson

(74) *Attorney, Agent, or Firm* — Schmeiser, Olsen & Watts, LLP

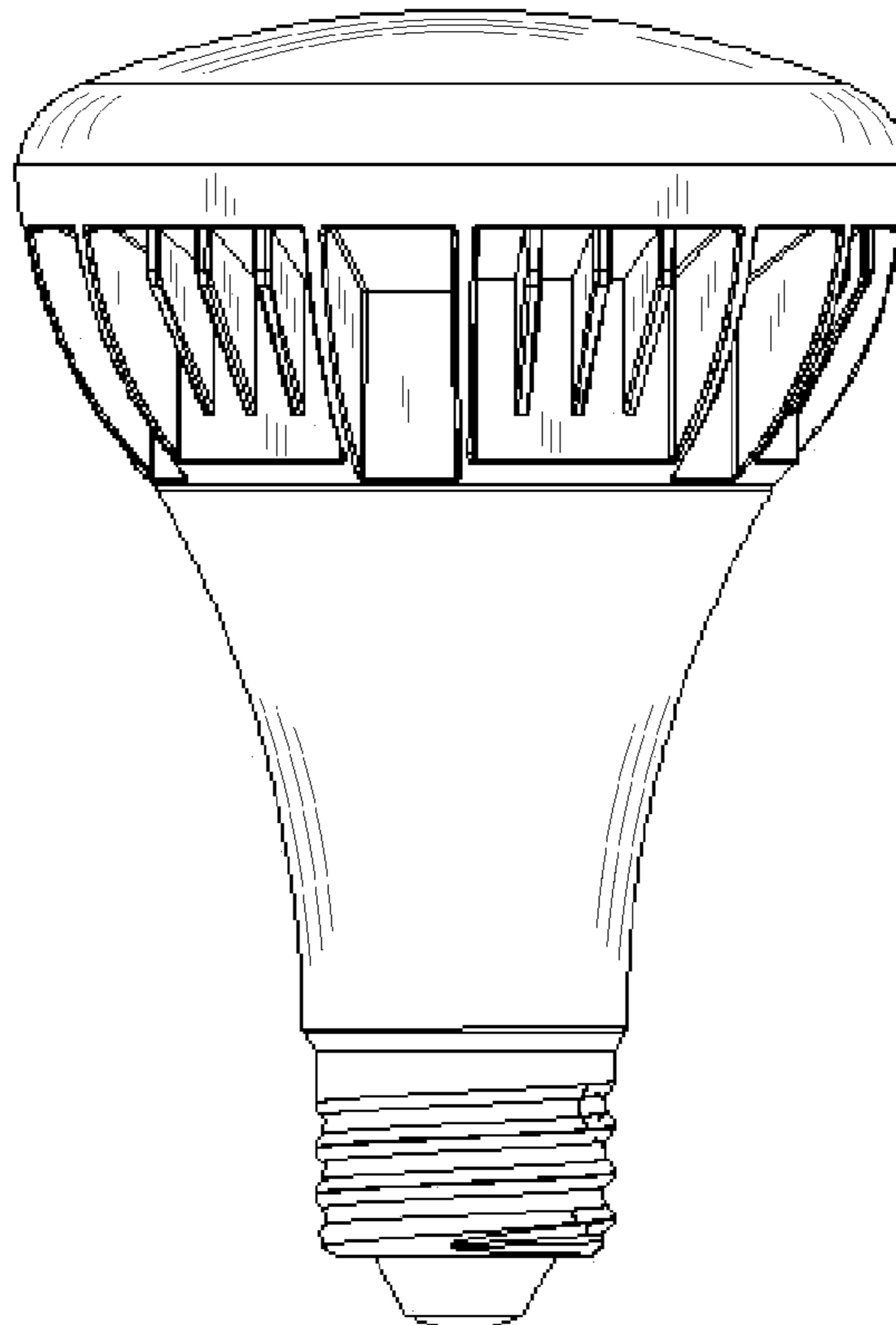
(57) **CLAIM**

The ornamental design for a lamp, as shown and described.

DESCRIPTION

FIG. 1 is a front elevational view of a lamp showing my new design;
FIG. 2 is a front perspective view thereof;
FIG. 3 is a top plan view thereof; and,
FIG. 4 is a bottom plan view thereof.

1 Claim, 3 Drawing Sheets



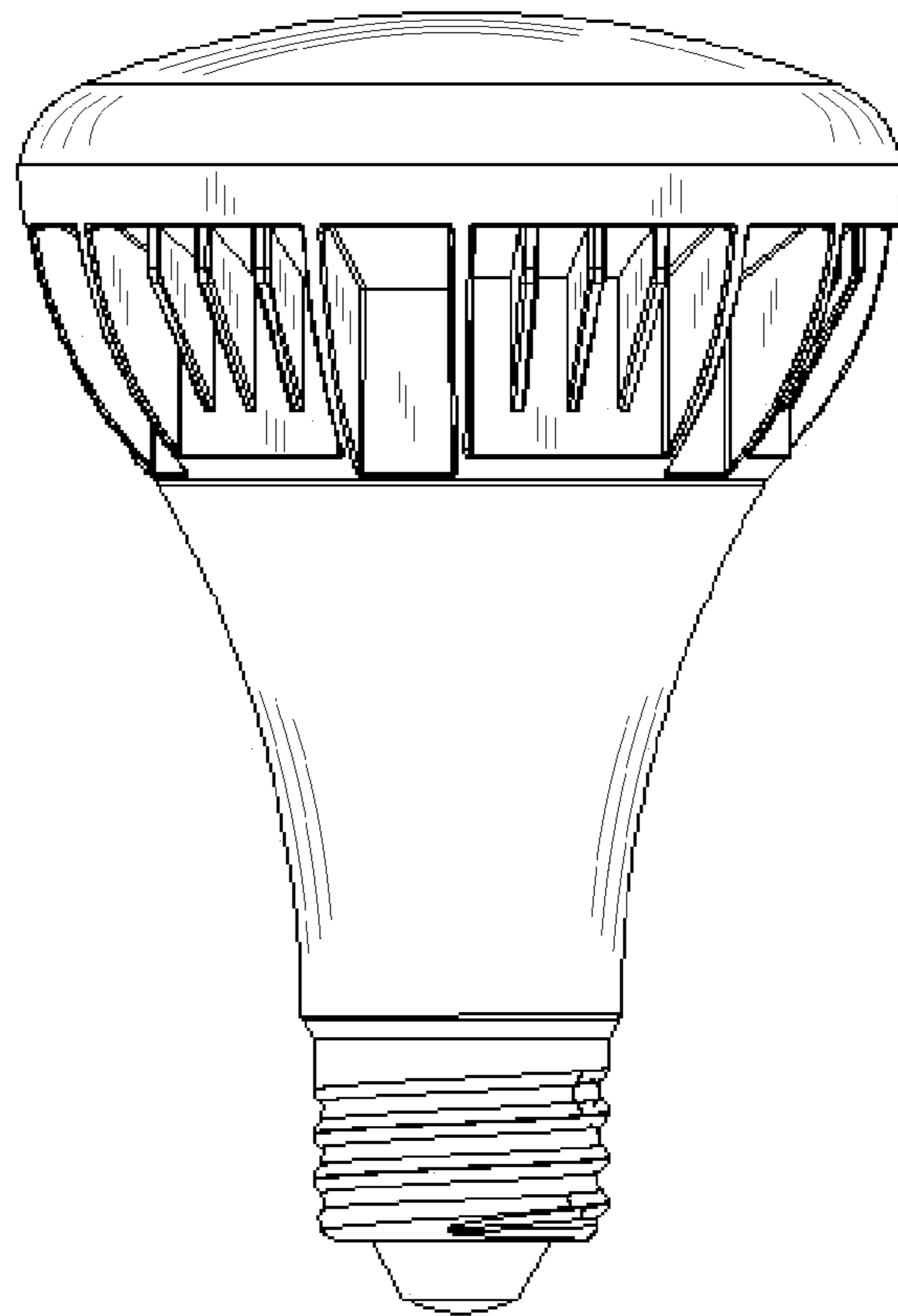


FIG 1

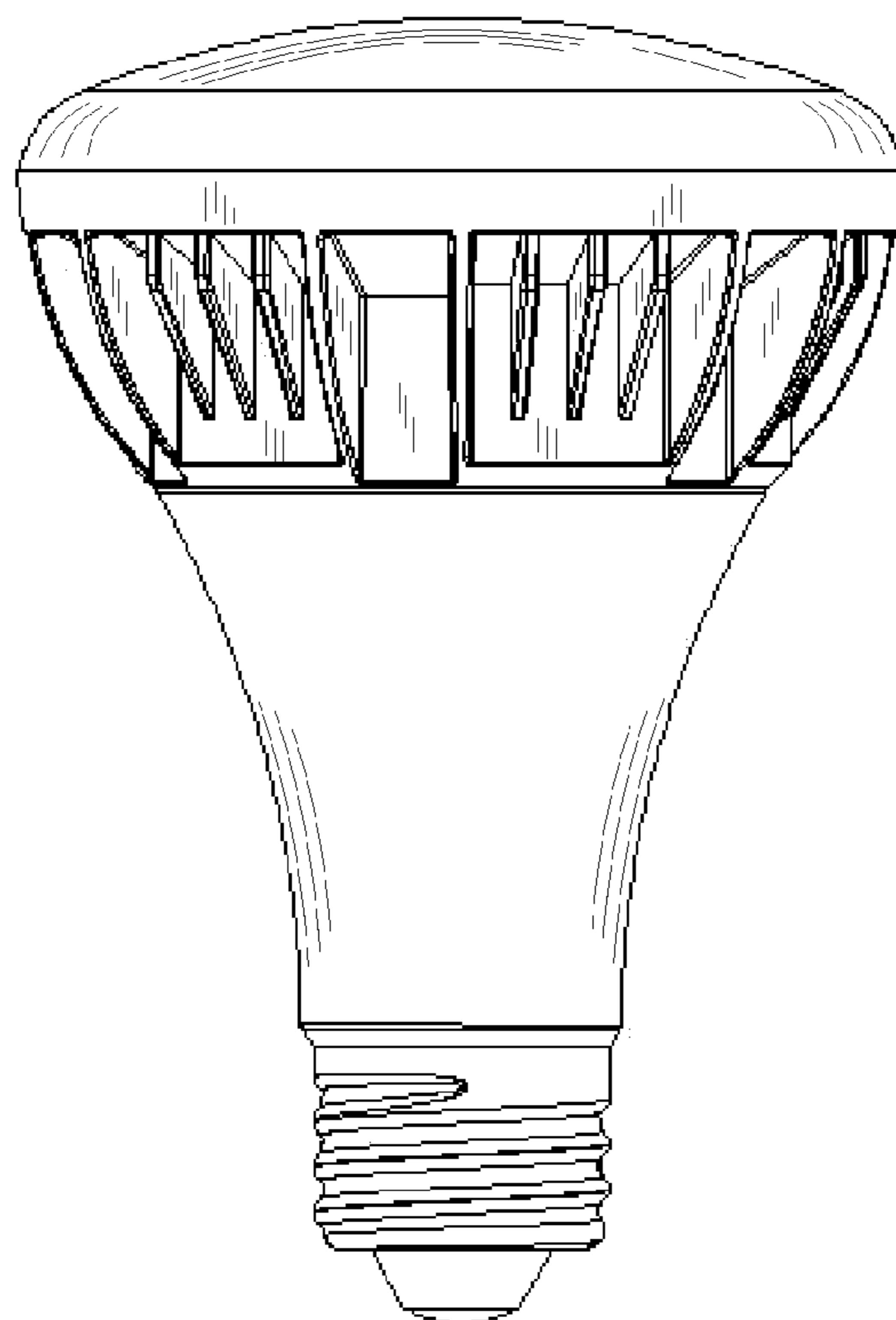


FIG2

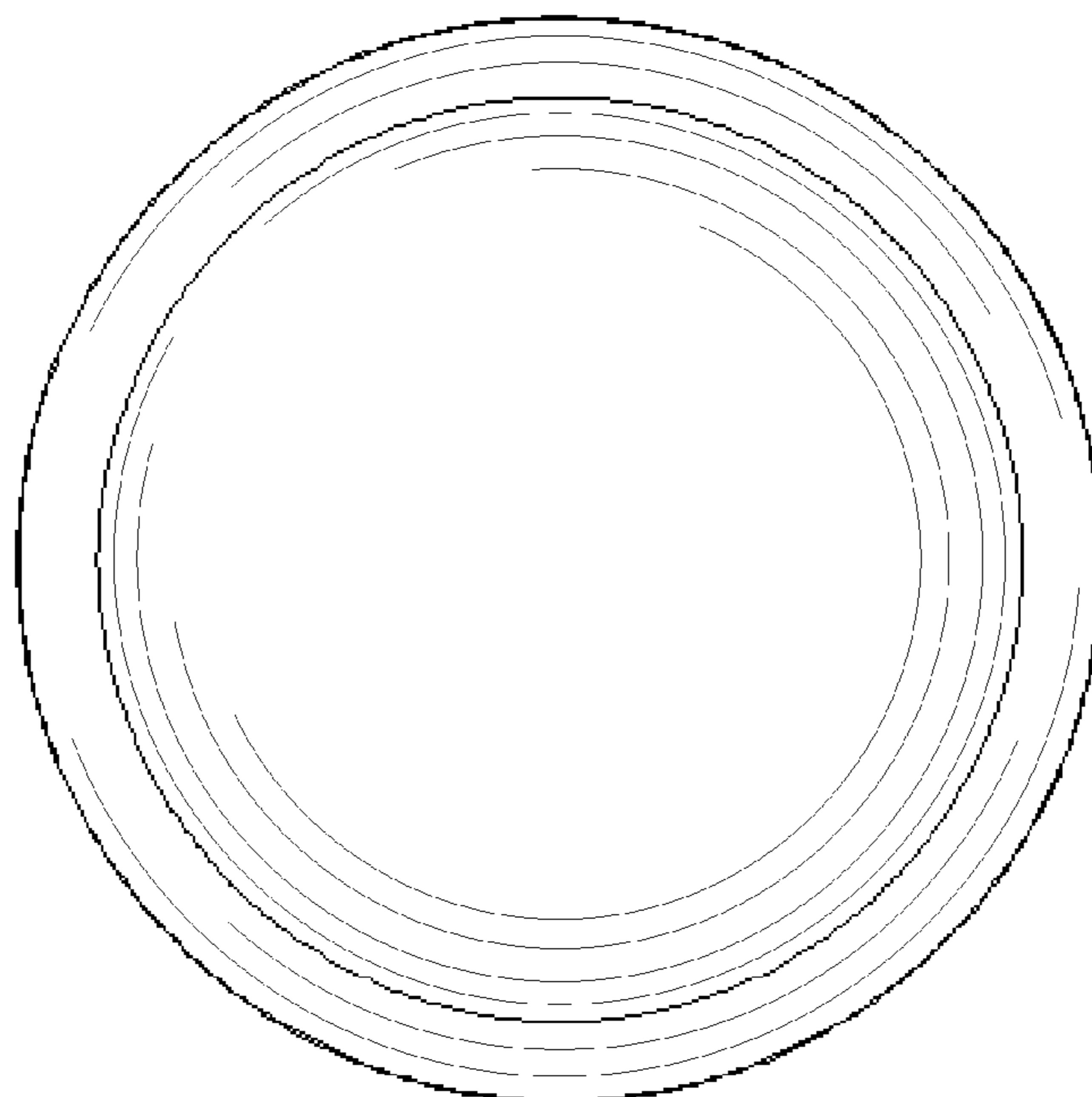


FIG3

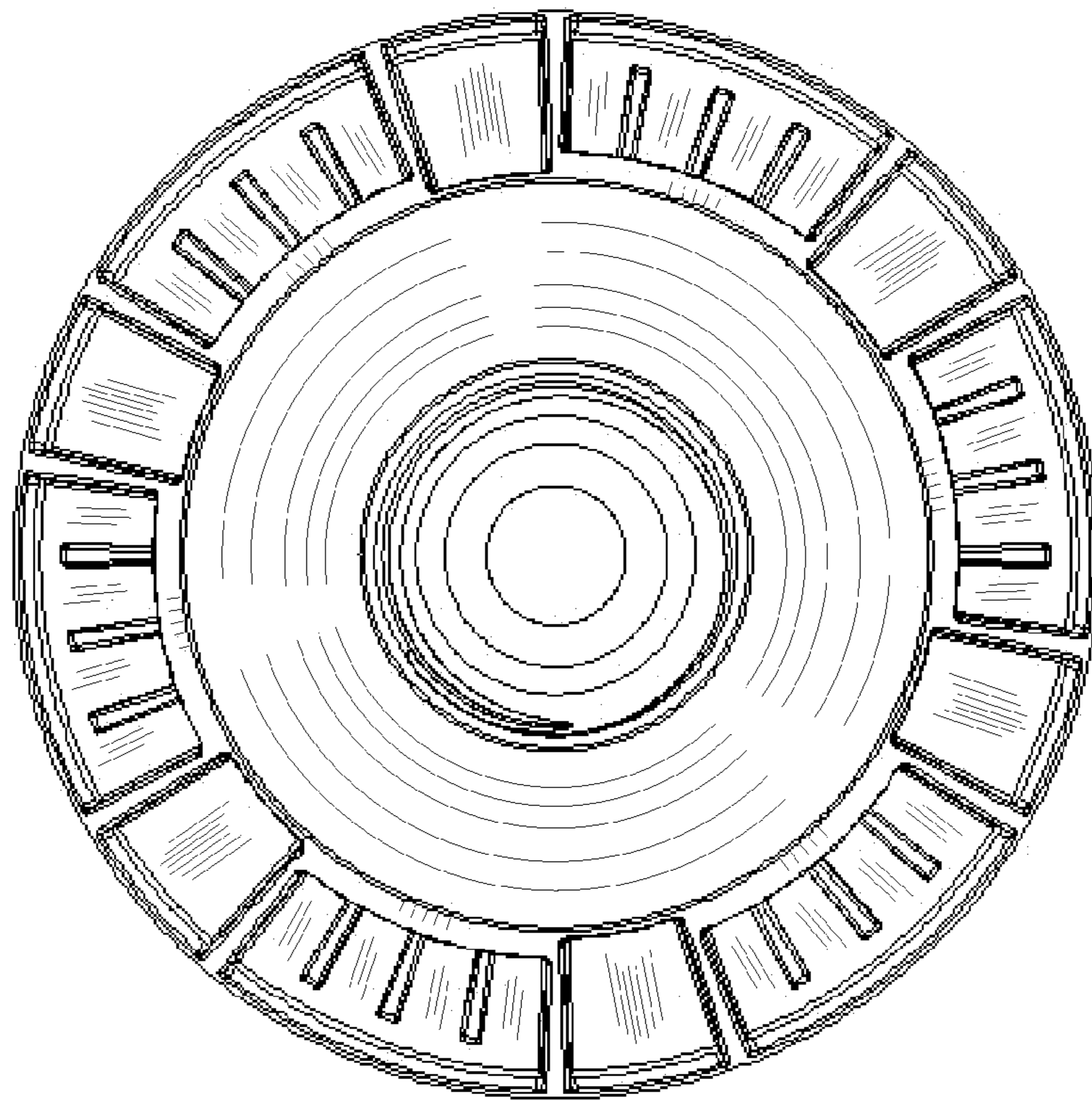


FIG4