



US00D735903S

(12) **United States Design Patent**  
**Li**

(10) **Patent No.:** **US D735,903 S**

(45) **Date of Patent:** **\*\* Aug. 4, 2015**

(54) **LED DOWNLIGHT**

(56) **References Cited**

(71) Applicant: **SHEN ZHEN YI ZHI TONG**  
**TRADING CO., LTD.**, Shenzhen,  
Guangdong (CN)

U.S. PATENT DOCUMENTS

D553,266 S *	10/2007	Maxik .....	D26/2
D566,300 S *	4/2008	Lo .....	D26/2
D584,838 S *	1/2009	To et al. ....	D26/2
D646,802 S *	10/2011	Guohui .....	D26/2
D695,426 S *	12/2013	Tu .....	D26/2

(72) Inventor: **Bin Li**, Guangdong (CN)

\* cited by examiner

(73) Assignee: **SHEN ZHEN YI ZHI TONG**  
**TRADING CO., LTD.**, Shenzhen (CN)

*Primary Examiner* — Marcus Jackson

(\*\*) Term: **14 Years**

(57) **CLAIM**

The ornamental design for a LED downlight, as shown and described.

(21) Appl. No.: **29/477,224**

**DESCRIPTION**

(22) Filed: **Dec. 20, 2013**

FIG. 1 is a front elevational view of a LED downlight;  
FIG. 2 is a rear elevational view thereof;  
FIG. 3 is a left side view thereof;  
FIG. 4 is a right side view thereof;  
FIG. 5 is a top plan view thereof;  
FIG. 6 is a bottom plan view thereof;  
FIG. 7 is a first perspective view thereof;  
FIG. 8 is a second perspective view thereof;  
FIG. 9 is a third perspective view thereof; and,  
FIG. 10 is a fourth perspective view thereof.

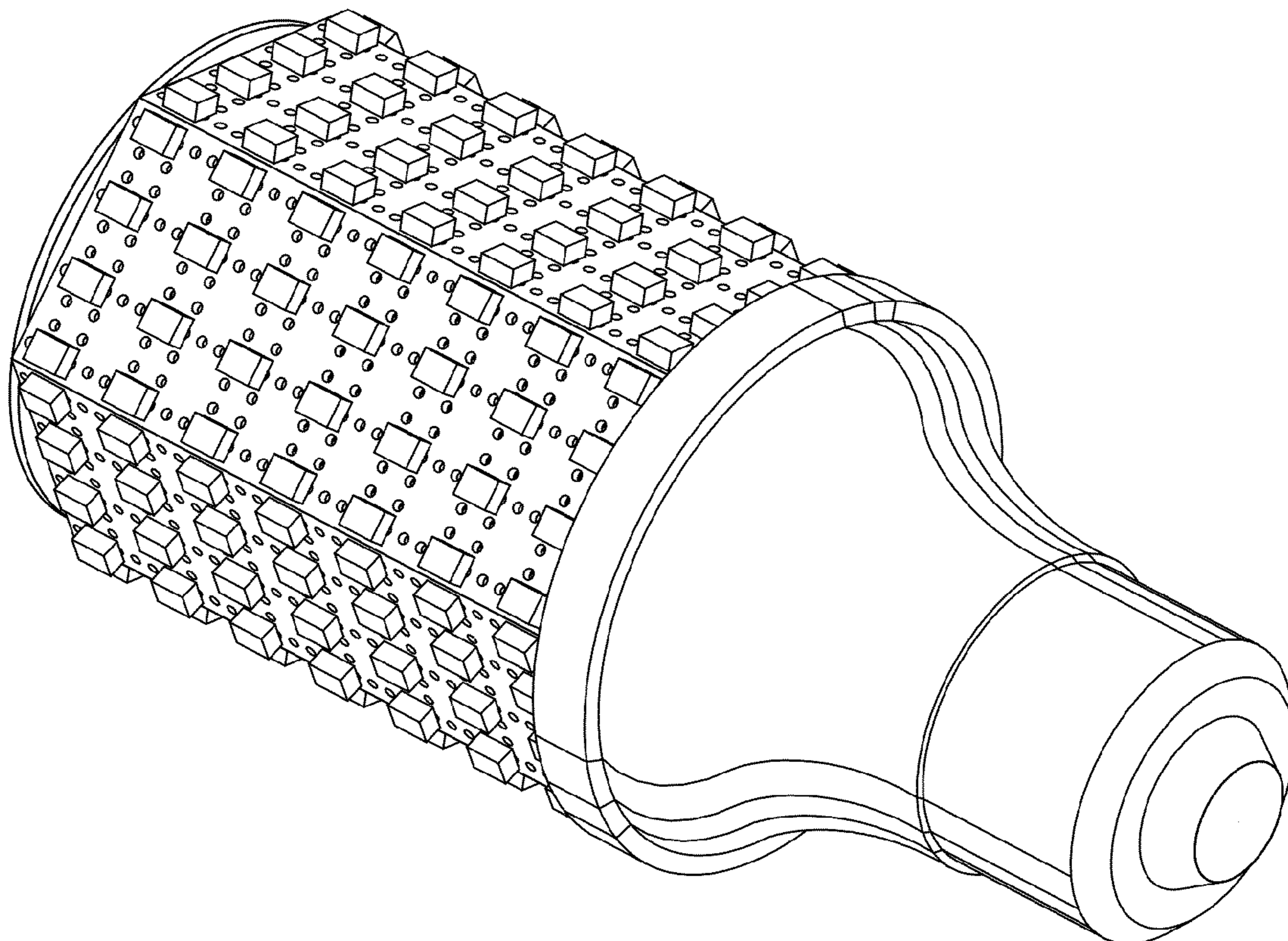
(51) **LOC (10) Cl.** ..... **26-04**

(52) **U.S. Cl.**  
USPC ..... **D26/2**

(58) **Field of Classification Search**  
USPC ..... D26/1-4; 313/313, 315, 316, 317, 318,  
313/493; 315/52, 53, 56, 57, 58

See application file for complete search history.

**1 Claim, 8 Drawing Sheets**



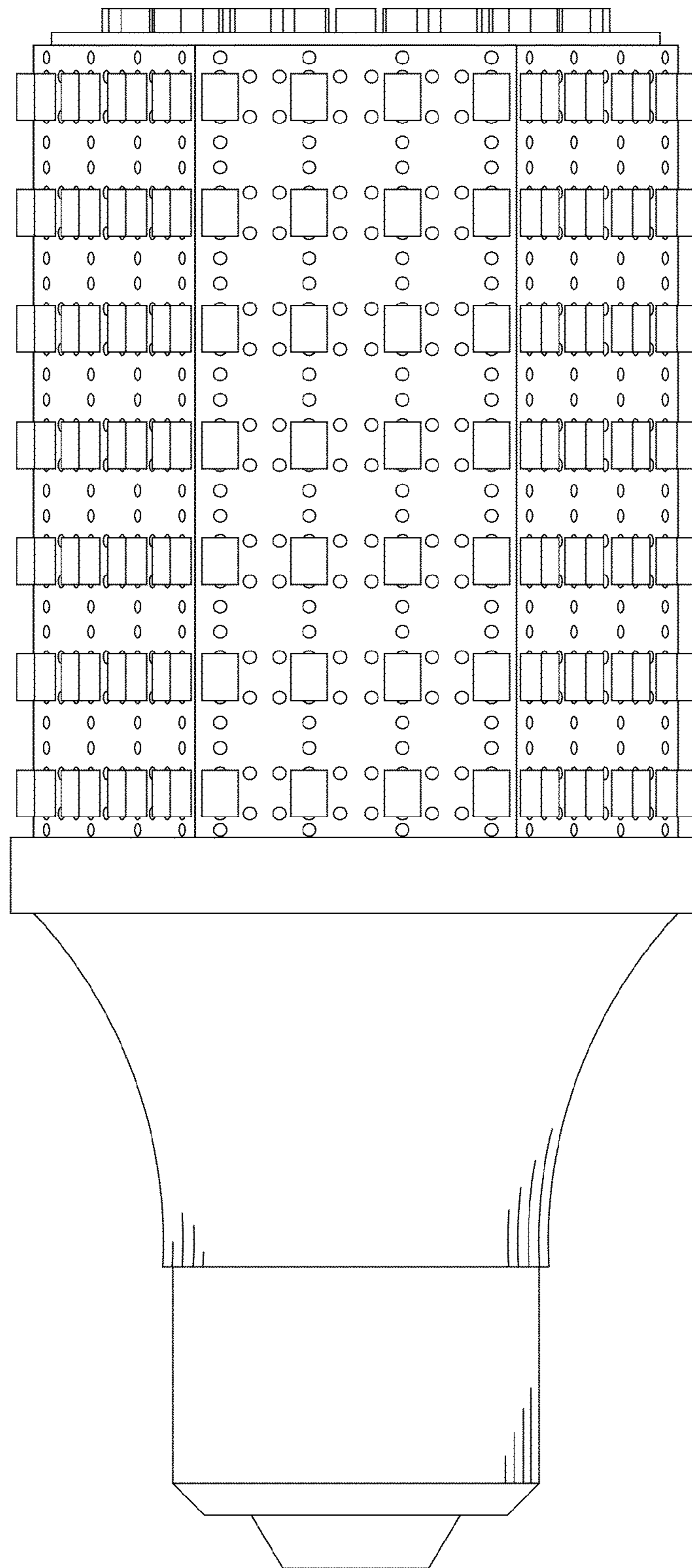


Fig. 1

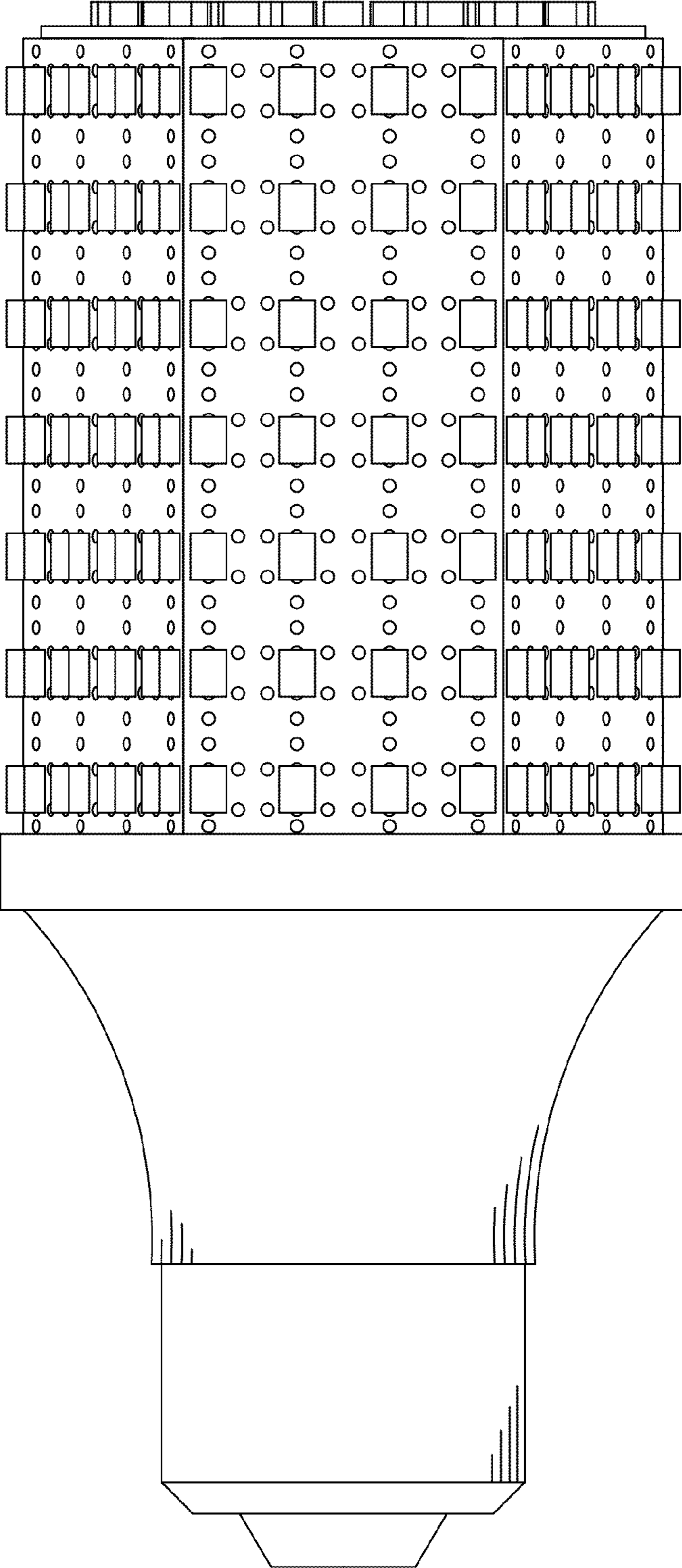


Fig. 2

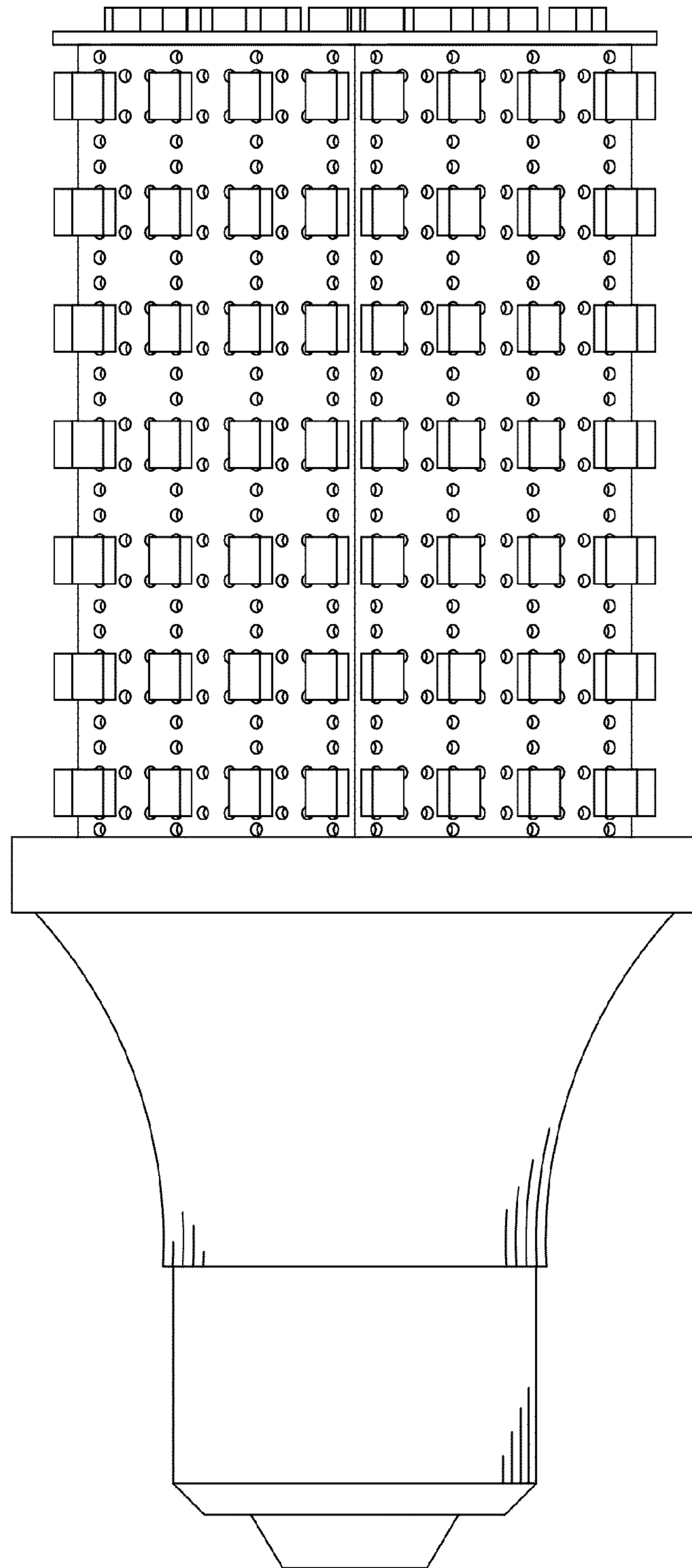


Fig. 3

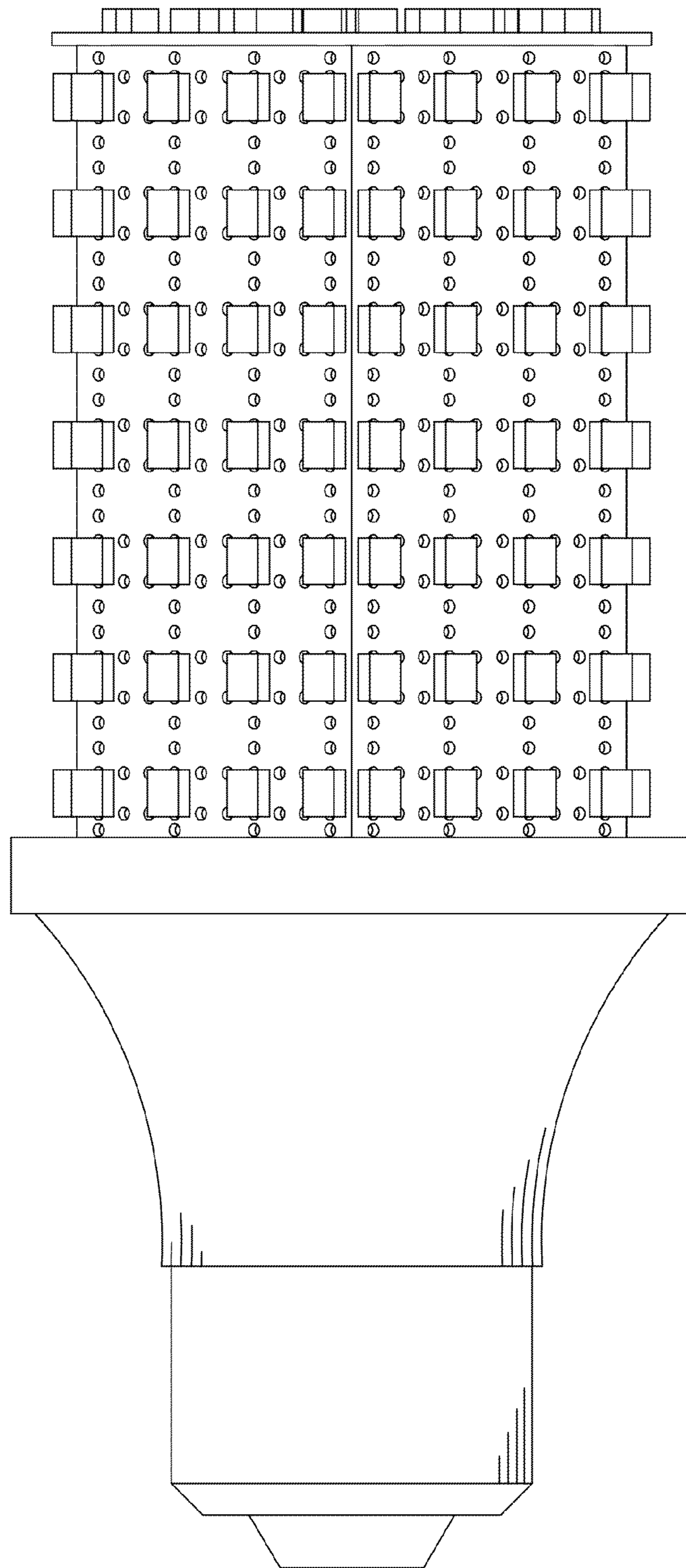


Fig. 4

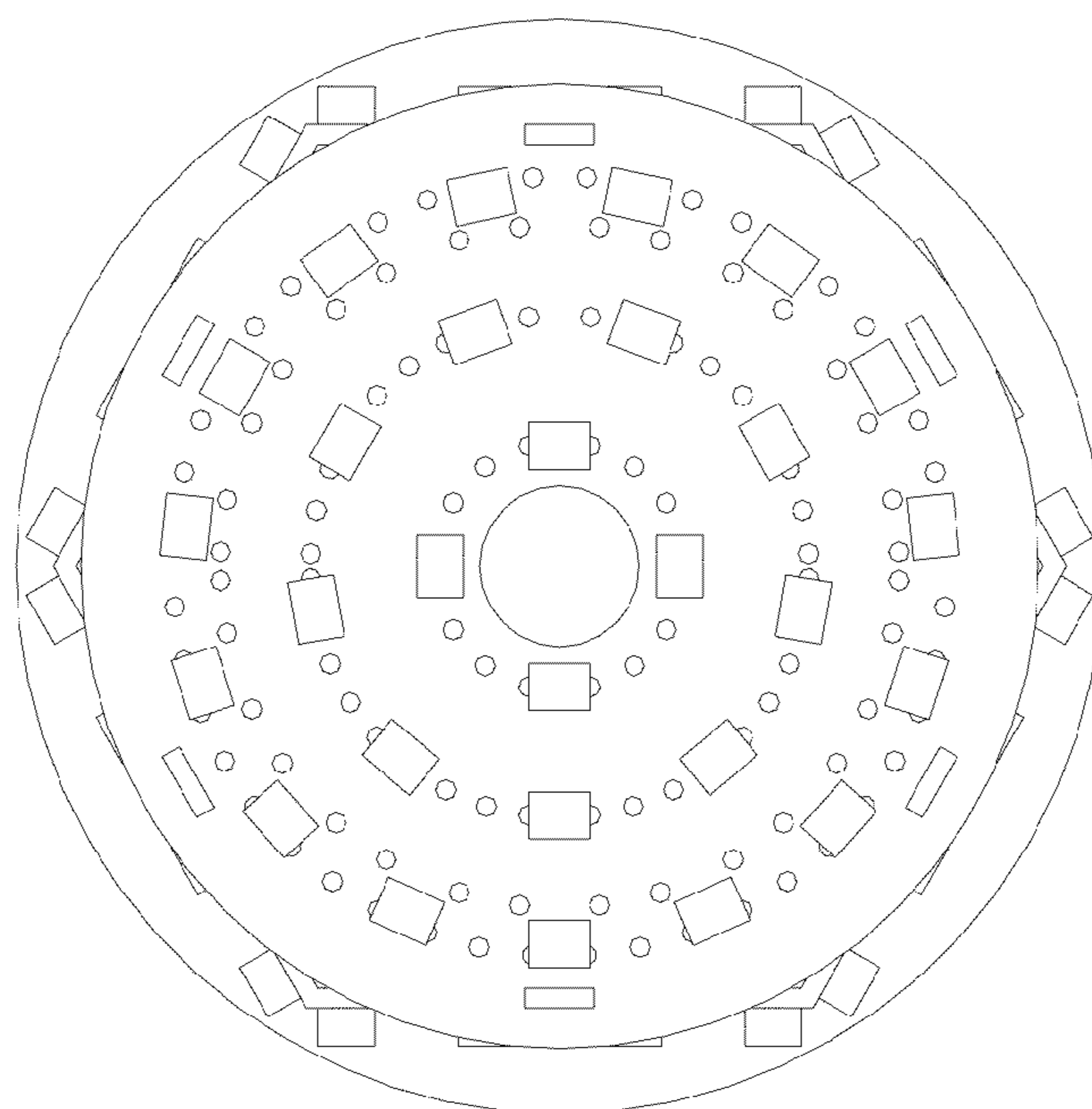


Fig. 5

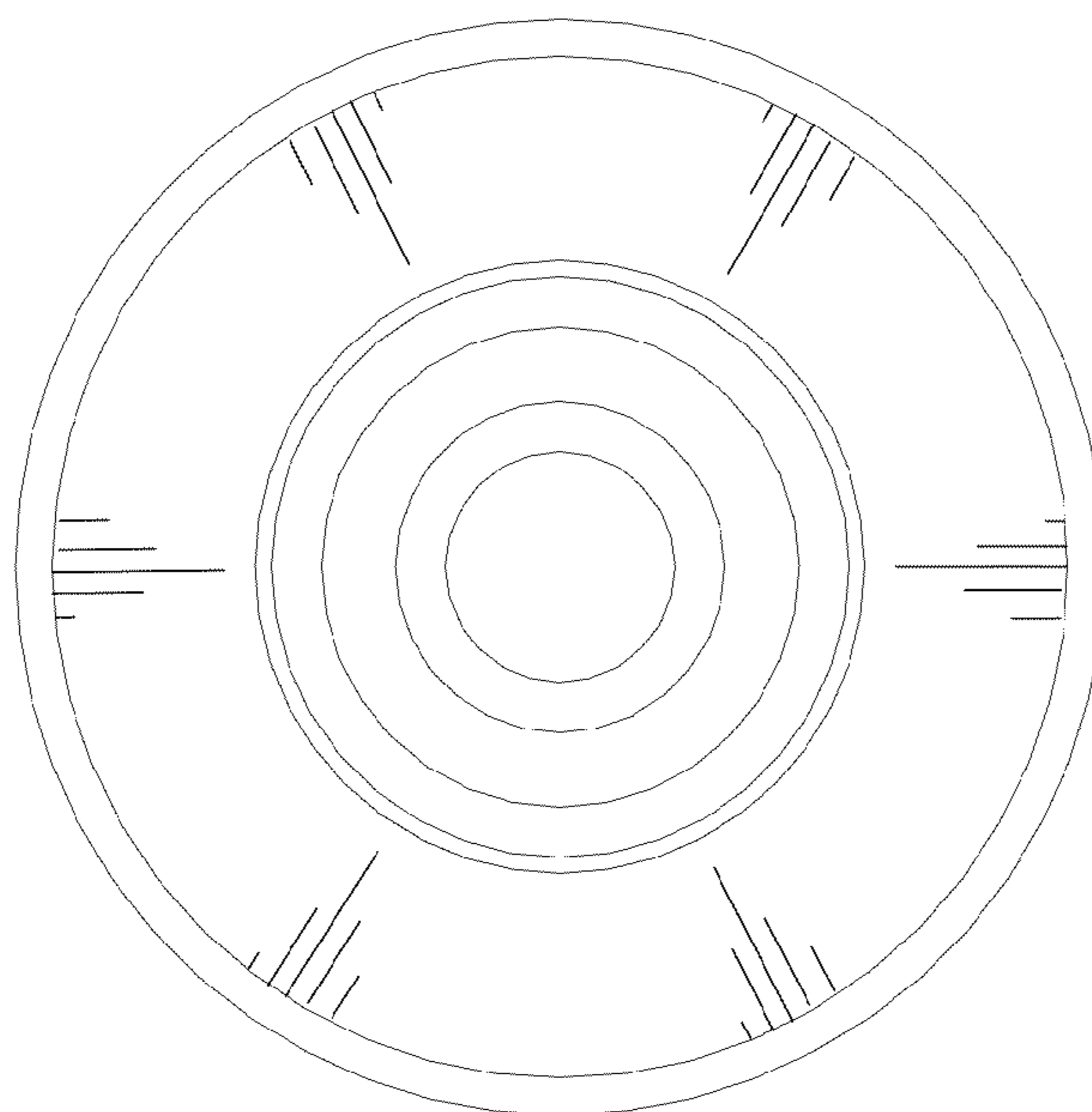


Fig. 6

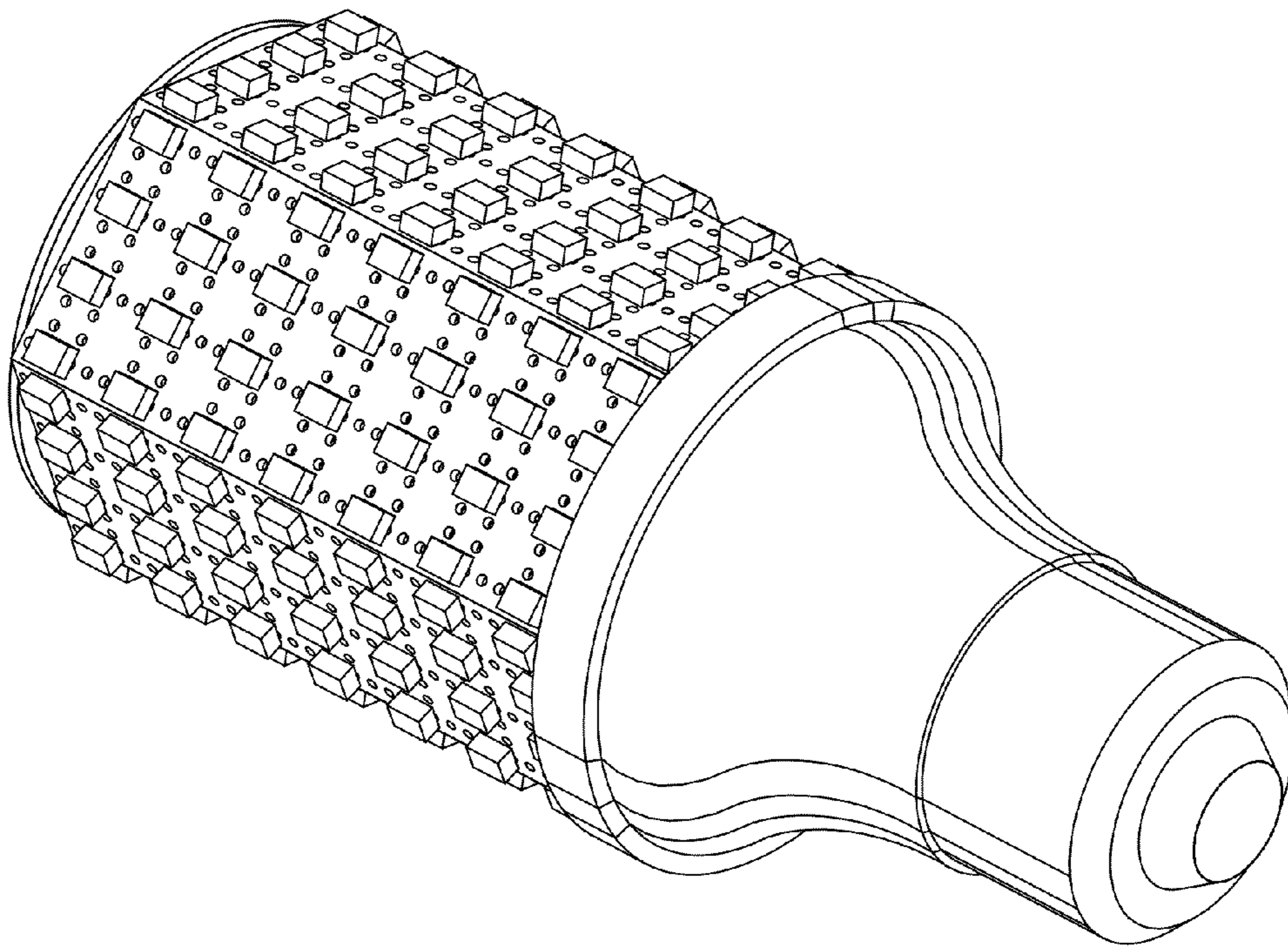


Fig. 7

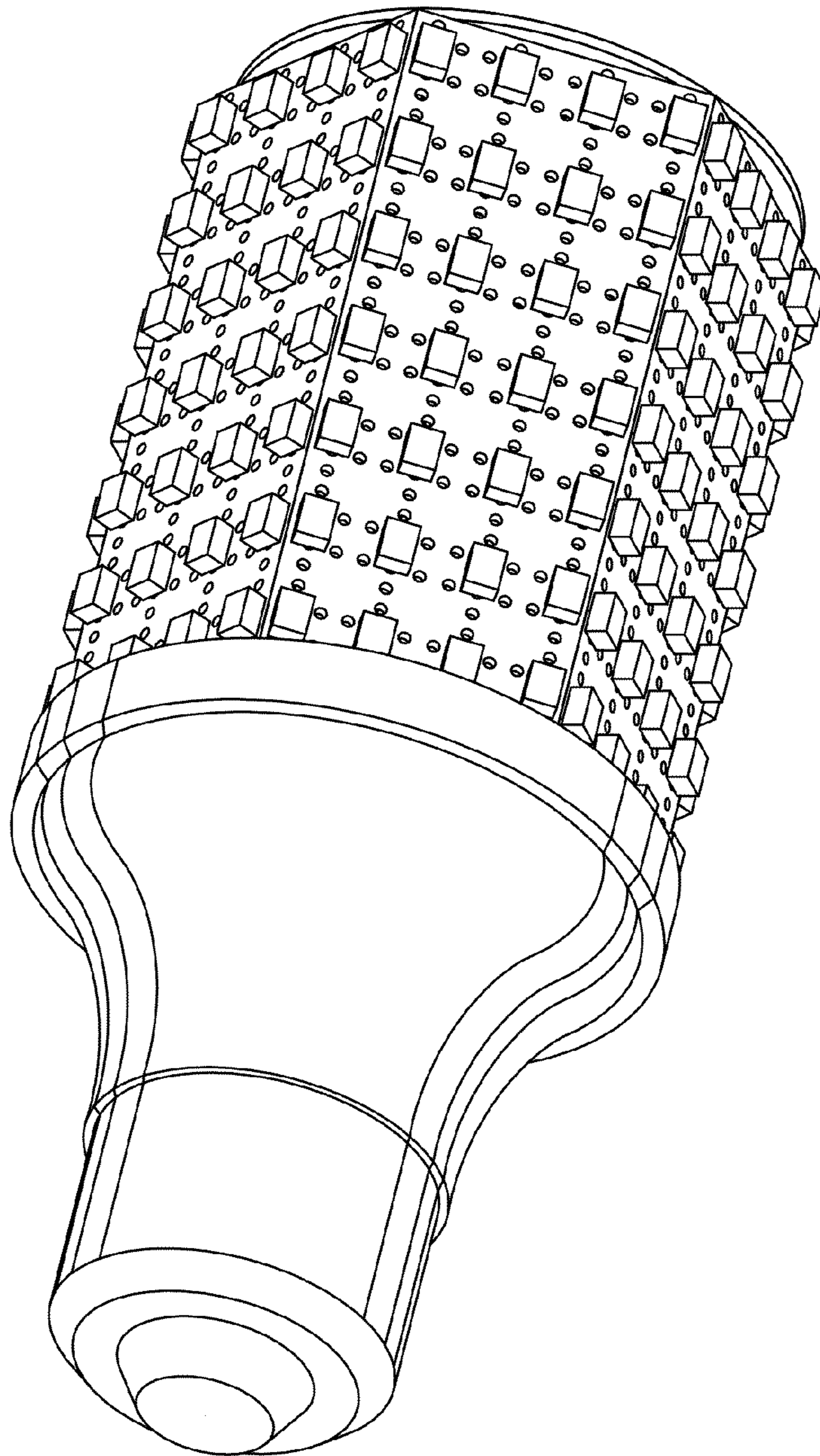


Fig. 8



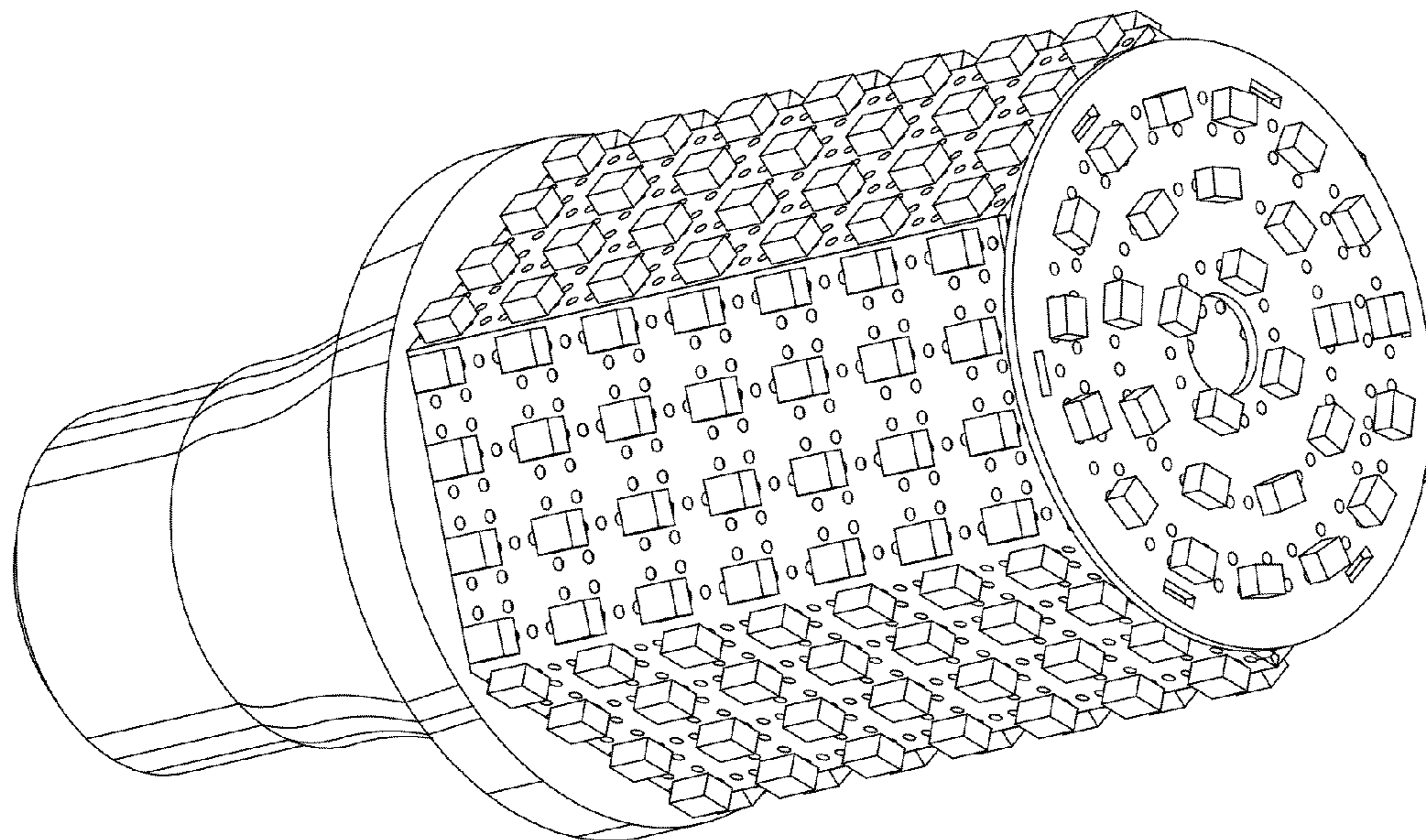


Fig. 9

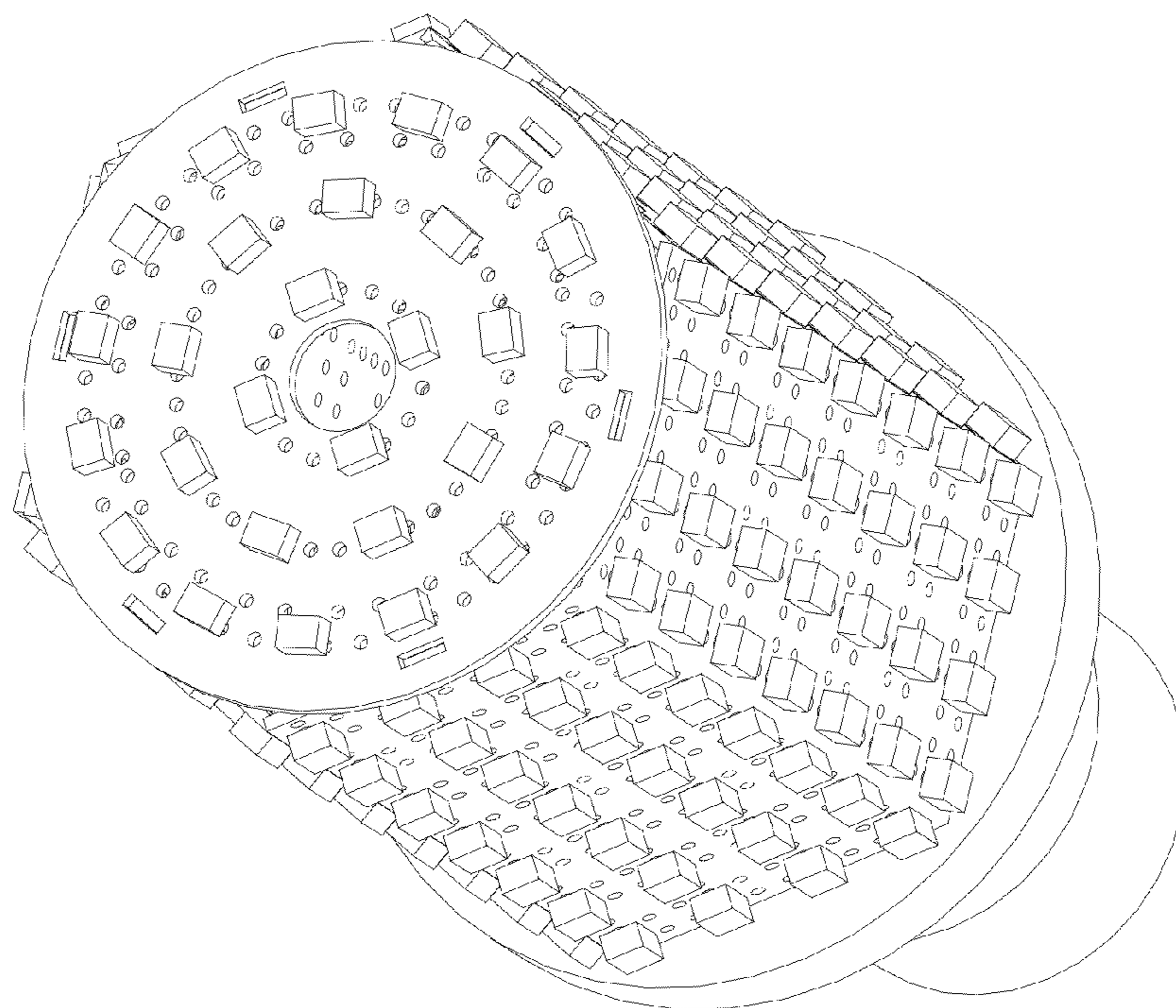


Fig. 10