



US00D735902S

(12) **United States Design Patent**  
**Pickard et al.**

(10) **Patent No.:** **US D735,902 S**  
(45) **Date of Patent:** **\*\* Aug. 4, 2015**

(54) **SOLID STATE DIRECTIONAL LAMP**

*Primary Examiner* — Marcus Jackson

(71) Applicant: **Cree, Inc.**, Durham, NC (US)

(74) *Attorney, Agent, or Firm* — Brinks Gilson & Lione

(72) Inventors: **Paul Pickard**, Pasadena, CA (US);  
**Nicholas W. Medendorp, Jr.**, Raleigh,  
NC (US)

(57) **CLAIM**

The ornamental design for a solid state directional lamp, as shown and described.

(73) Assignee: **Cree, Inc.**, Durham, NC (US)

(\*\*) Term: **14 Years**

**DESCRIPTION**

(21) Appl. No.: **29/473,197**

(22) Filed: **Nov. 20, 2013**

**Related U.S. Application Data**

(62) Division of application No. 29/394,990, filed on Jun. 23, 2011, now Pat. No. Des. 696,436.

(51) **LOC (10) Cl.** ..... **26-04**

(52) **U.S. Cl.**  
USPC ..... **D26/2**

(58) **Field of Classification Search**  
USPC ..... D26/1-4; 313/313, 315, 316, 317, 318,  
313/493; 315/52, 53, 56, 57, 58  
See application file for complete search history.

The present application is related to U.S. patent application Ser. No. 13,167,351 (still pending), filed Jun. 23, 2011, and titled "Retroreflective, Multi-Element Design for a Solid State Directional Lamp"; U.S. patent application No. 13,167,394 (still pending), filed Jun. 23, 2011, and titled "Solid State Directional Lamp Including a Retroreflective, Multi-Element Directional Lamp Optic"; U.S. patent application No. 13,167,387 (still pending), filed Jun. 23, 2011, and titled "Hybrid Solid State Emitter Printed Circuit Board for Use in a Solid State Directional Lamp"; and U.S. patent application Ser. No. 13,167,410 (still pending), filed Jun. 23, 2011, and titled "Solid State Retroreflective Directional Lamp," the entirety of each of which are hereby incorporated by reference.

FIG. 1 is a front perspective view of a solid state directional lamp showing my new design;

FIG. 2 is a front view of the solid state directional lamp of FIG. 1;

FIG. 2 is a side view of the solid state directional lamp of FIG. 1;

FIG. 3 is a top view of the solid state directional lamp of FIG. 1;

FIG. 4 is a bottom view of the solid state directional lamp of FIG. 1;

FIG. 6 is a rear view of the solid state directional lamp of FIG. 1; and,

FIG. 7 is a rear perspective view of the solid state directional lamp of FIG. 1.

The ornamental design which is claimed is shown in solid lines in the drawings. Any broken or phantom lines in the drawings form no part of the claimed design.

(56) **References Cited**

**U.S. PATENT DOCUMENTS**

4,630,182 A 12/1986 Moroi et al.  
6,414,801 B1 7/2002 Roller

(Continued)

**FOREIGN PATENT DOCUMENTS**

DE 10 2009 010213 8/2010  
EP 1 371 901 12/2003

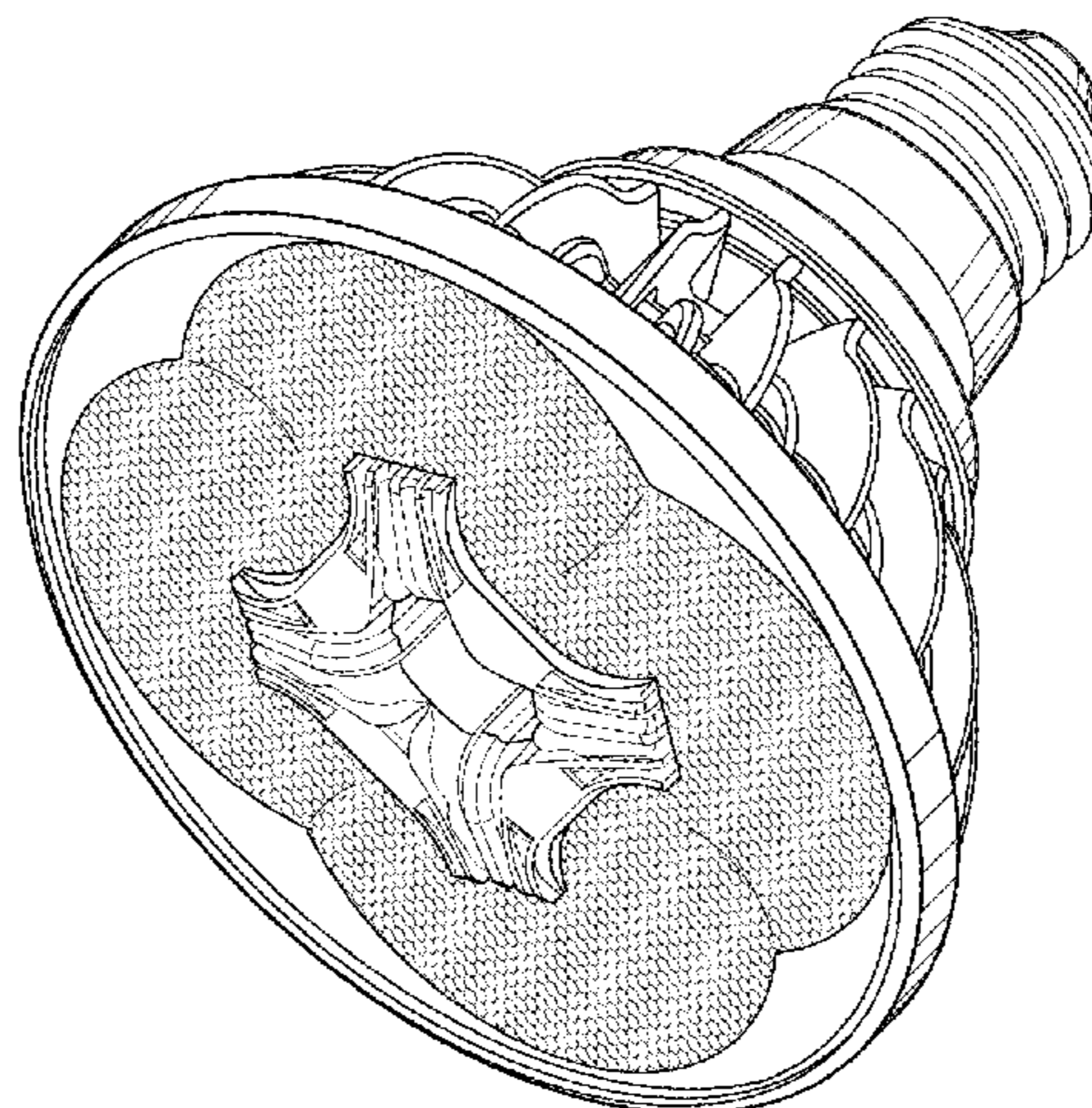
(Continued)

**OTHER PUBLICATIONS**

International Search Report and Written Opinion for PCT/US2012/042394, dated Sep. 17, 2012, 10 pages.

(Continued)

**1 Claim, 5 Drawing Sheets**



(56)

References Cited

U.S. PATENT DOCUMENTS

D532,532	S	11/2006	Maxik	
D541,957	S	5/2007	Wang	
D544,110	S	6/2007	Hooker et al.	
D566,300	S	4/2008	Lo	
7,360,925	B2	4/2008	Coushaine	
D581,555	S	11/2008	To et al.	
D582,578	S	* 12/2008	Tsai et al.	D26/2
D584,838	S	1/2009	To et al.	
D593,223	S	5/2009	Komar	
D594,995	S	* 6/2009	Komar	D26/2
D601,722	S	* 10/2009	Foo	D26/2
D610,274	S	2/2010	Cho	
D610,722	S	2/2010	Bi	
7,777,430	B2	8/2010	Catalano et al.	
D624,215	S	9/2010	Moon et al.	
7,794,115	B2	9/2010	Hellinger et al.	
D629,534	S	* 12/2010	Song	D26/2
D631,571	S	1/2011	Bobel	
D631,989	S	* 2/2011	Bobel	D26/2
7,997,769	B2	8/2011	Foo	
D658,790	S	5/2012	Lee	
D663,057	S	7/2012	Pan	
D670,414	S	* 11/2012	Guohui	D26/2
D679,033	S	3/2013	Dungan et al.	
2003/0016536	A1	1/2003	Lin	
2004/0114366	A1	6/2004	Smith	
2004/0114393	A1	6/2004	Galli	
2005/0111234	A1	5/2005	Martin et al.	
2005/0219840	A1	10/2005	Holder	
2006/0109654	A1	5/2006	Coushaine et al.	
2006/0125418	A1	6/2006	Bourgault	
2009/0046464	A1	2/2009	Liu et al.	
2009/0059559	A1	3/2009	Pabst et al.	
2009/0196045	A1	8/2009	Shuai et al.	
2010/0001309	A1	1/2010	Wang et al.	
2010/0046223	A1	2/2010	Li et al.	
2010/0079059	A1	4/2010	Roberts et al.	
2010/0091499	A1	4/2010	Jiang et al.	
2010/0254128	A1	10/2010	Pickard et al.	
2010/0265701	A1	10/2010	Man	
2011/0013420	A1	1/2011	Coleman et al.	
2011/0089830	A1	4/2011	Pickard et al.	
2011/0101861	A1	5/2011	Yoo	
2011/0141715	A1	6/2011	Uchida et al.	
2012/0019138	A1	1/2012	Maxik et al.	
2012/0140466	A1	6/2012	Yang et al.	
2012/0268930	A1	10/2012	Lu	

FOREIGN PATENT DOCUMENTS

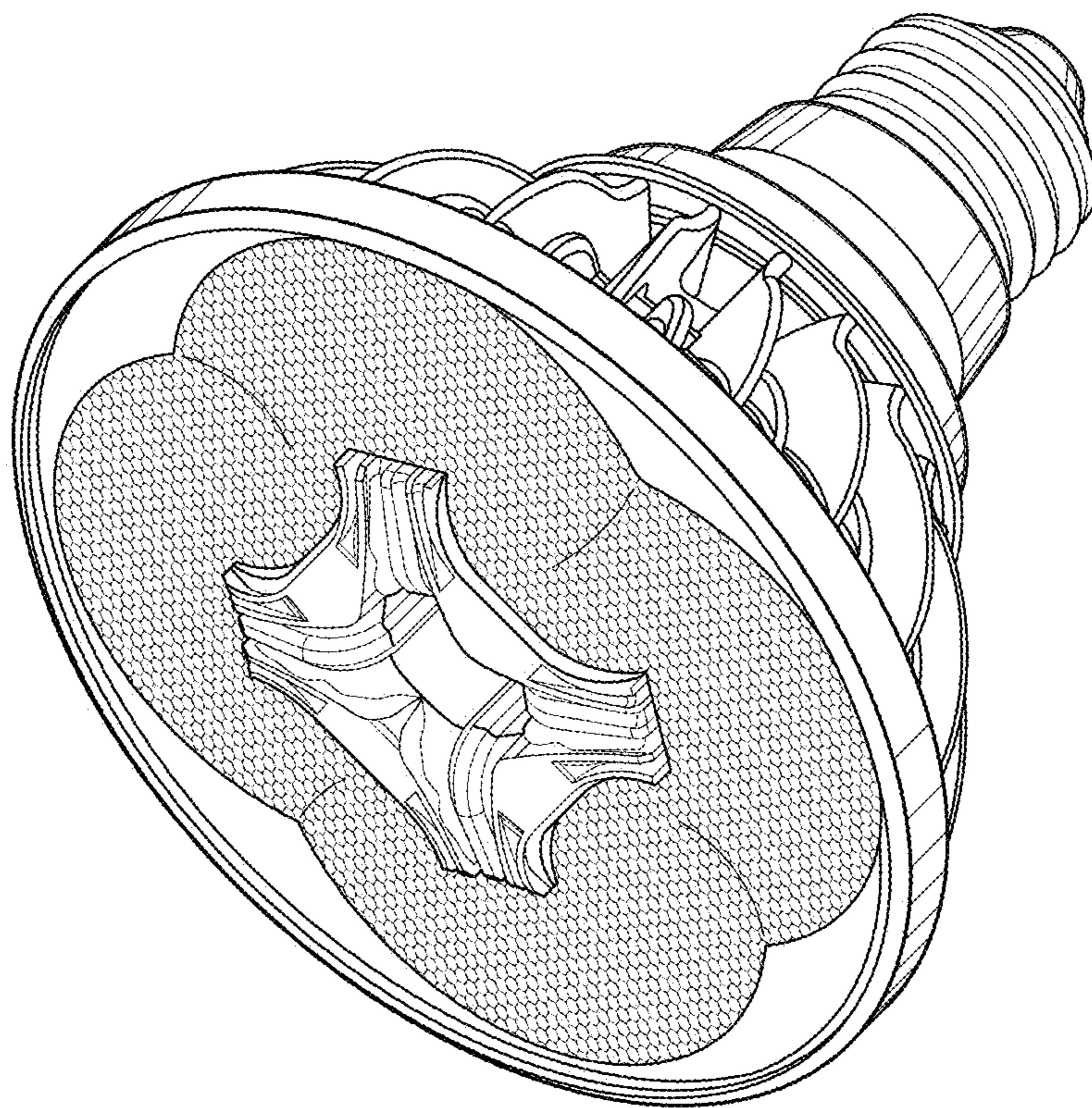
EP	2 211 094	7/2010
EP	1 736 701	12/2012
FR	2 937 795	4/2010
GB	2 453 718 A	4/2009
JP	2004 039594	5/2004
JP	2004296245 A	10/2004
WO	2010/039178 A1	4/2010
WO	2010/088303 A1	8/2010

OTHER PUBLICATIONS

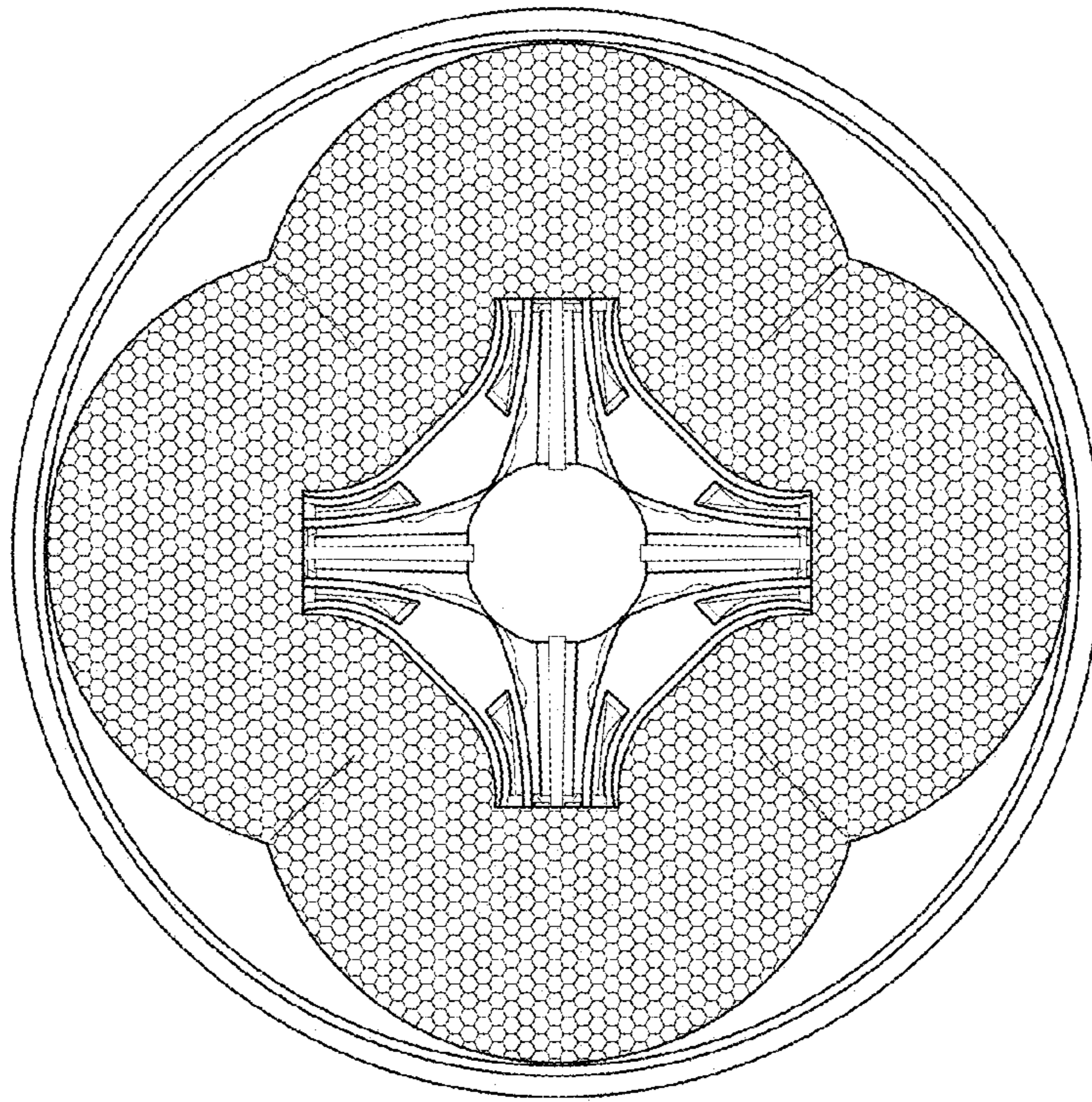
International Search Report and Written Opinion for PCT/US2012/041822, dated Sep. 28, 2012, 12 pages.  
 International Search Report and Written Opinion for PCT/US2012/042395, dated Nov. 26, 2012, 7 pages.  
 International Search Report and Written Opinion for PCT/US2012/041825, dated Apr. 3, 2013, 10 pages.  
 Office Action for U.S. Appl. No. 13/167,394, dated May 14, 2013, 14 pages.  
 Office Action for U.S. Appl. No. 13/167,387, dated Jun. 5, 2013, 9 pages.  
 Office Action for U.S. Appl. No. 13/167,351, dated Jun. 12, 2013, 13 pages.  
 Notice of Allowance for U.S. Appl. No. 13/167,394, date mailed Aug. 30, 2013, 9 pages.  
 Notice of Allowance for U.S. Appl. No. 29/394,990, date mailed Aug. 13, 2013, 7 pages.  
 Office Action for U.S. Appl. No. 13/167,410, dated Aug. 20, 2013, 9 pages.  
 Office Action for U.S. Appl. No. 13/167,351, dated Nov. 13, 2013, 14 pages.  
 Office Action for U.S. Appl. No. 13/167,387, dated Dec. 16, 2013, 10 pages.  
 International Preliminary Report on Patentability and Written Opinion of the International Searching Authority for PCT/US2012/041822, dated Dec. 23, 2013, 5 pages.  
 International Preliminary Report on Patentability and Written Opinion of the International Searching Authority for PCT/US2012/041825, dated Dec. 23, 2013, 5 pages.  
 International Preliminary Report on Patentability and Written Opinion of the International Searching Authority for PCT/US2012/042395, dated Dec. 23, 2013, 4 pages.  
 International Preliminary Report on Patentability and Written Opinion of the International Searching Authority for PCT/US2012/042394, dated Dec. 23, 2013, 6 pages.  
 Machine English translation of JP 2004296245 to Yokoya et al.  
 Notice of Allowance for U.S. Appl. No. 13/167,410, date mailed Feb. 3, 2014, 9 pages.

\* cited by examiner



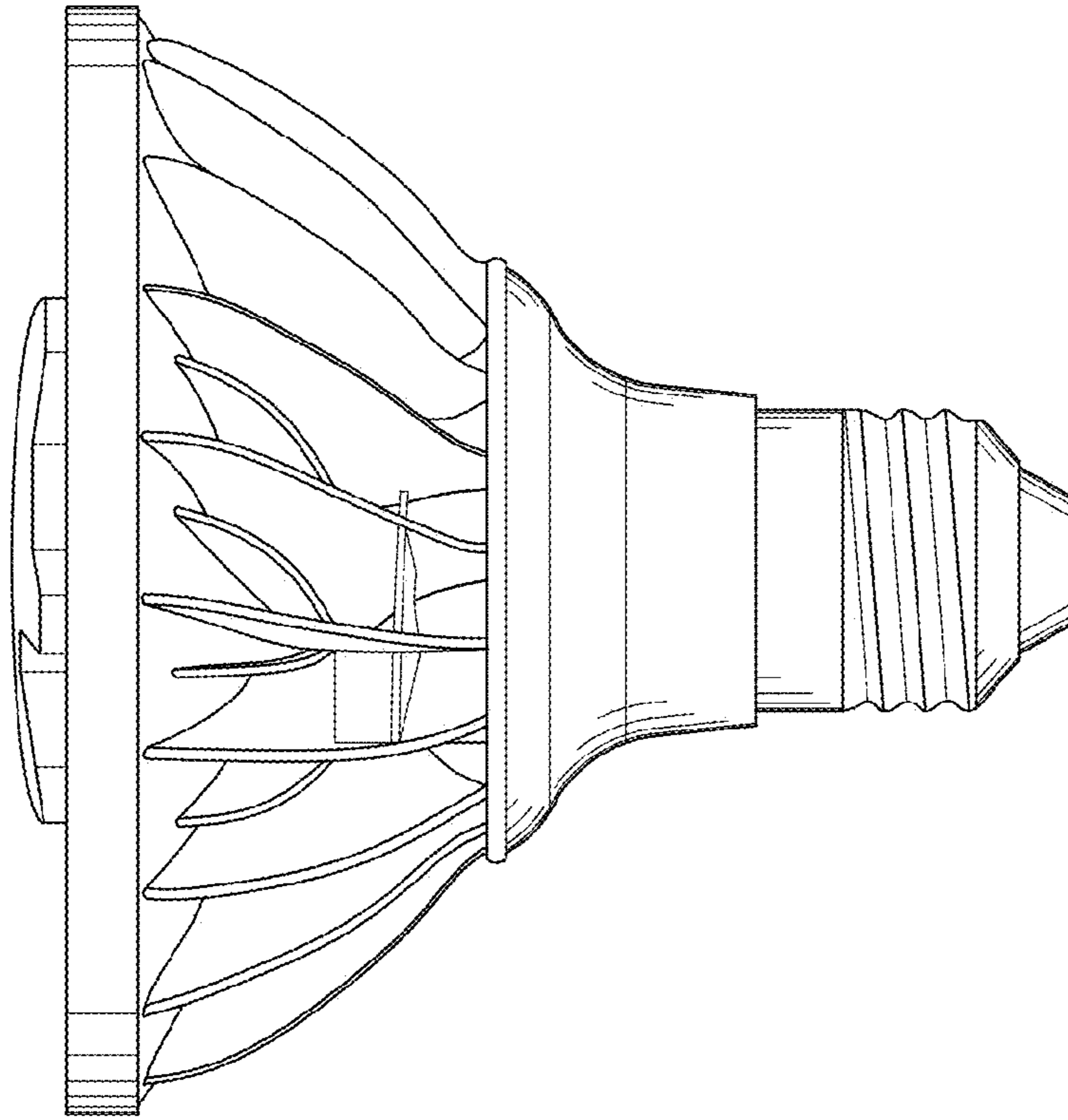


*FIG. 1*

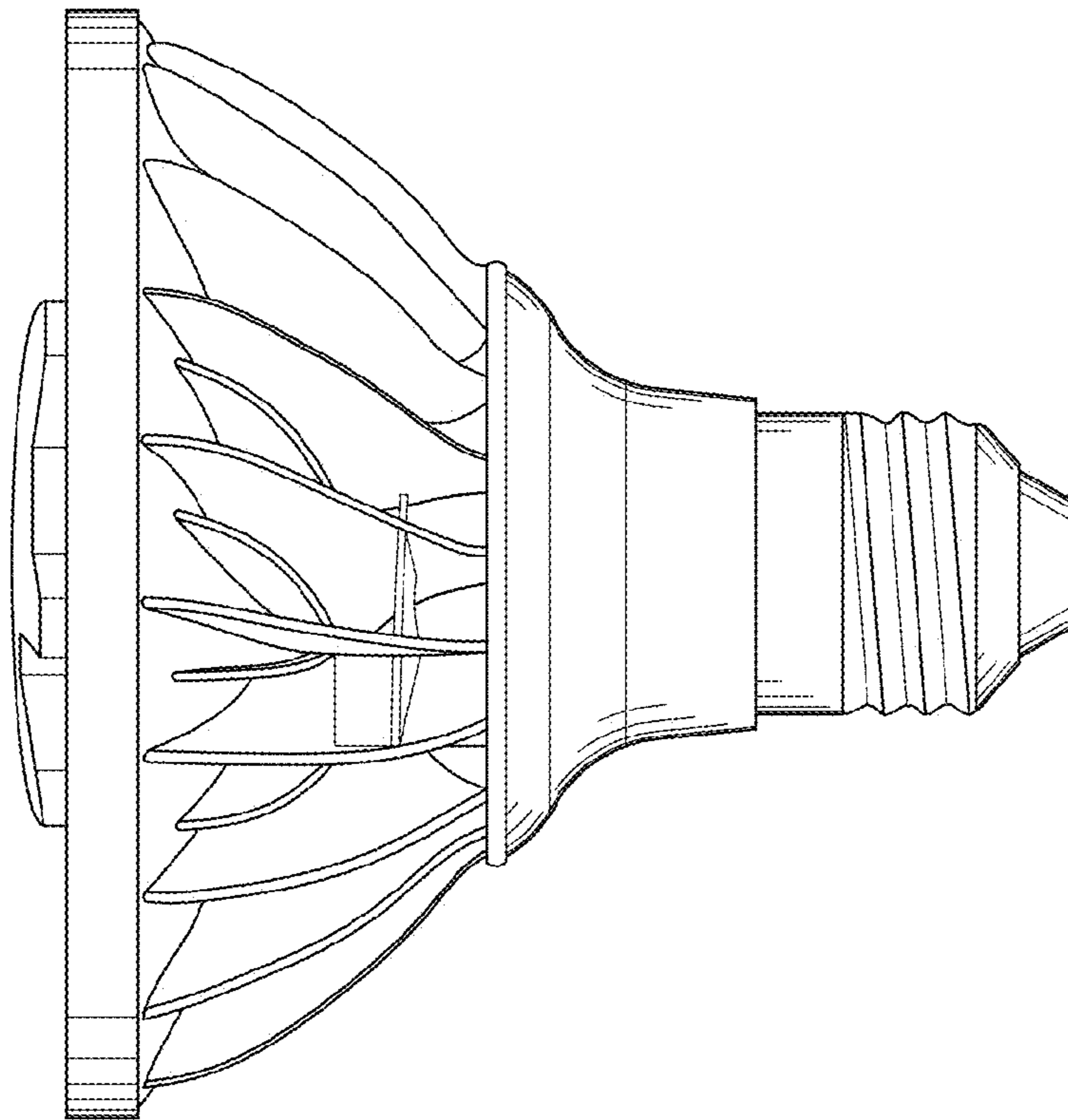


*FIG. 2*

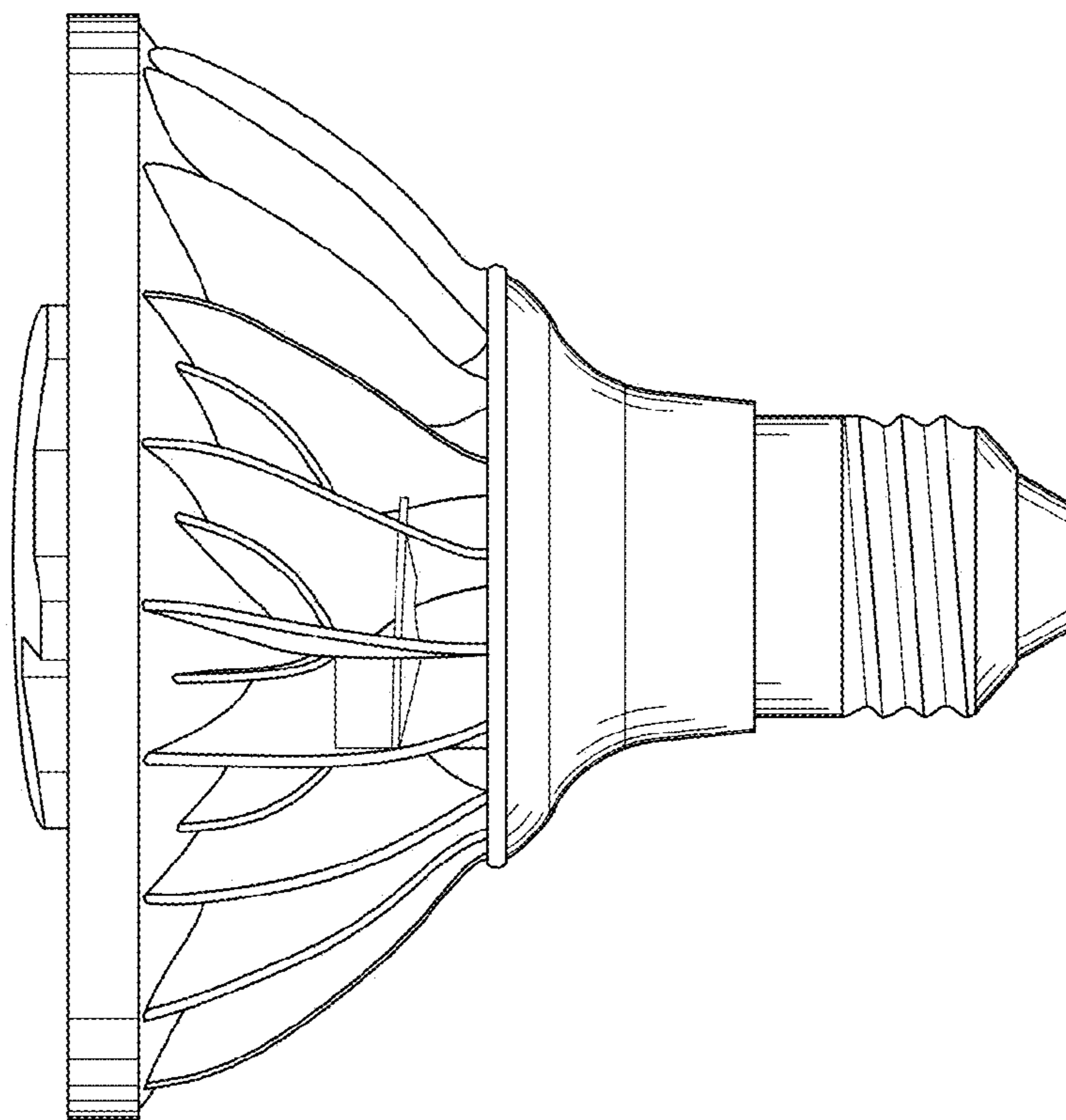




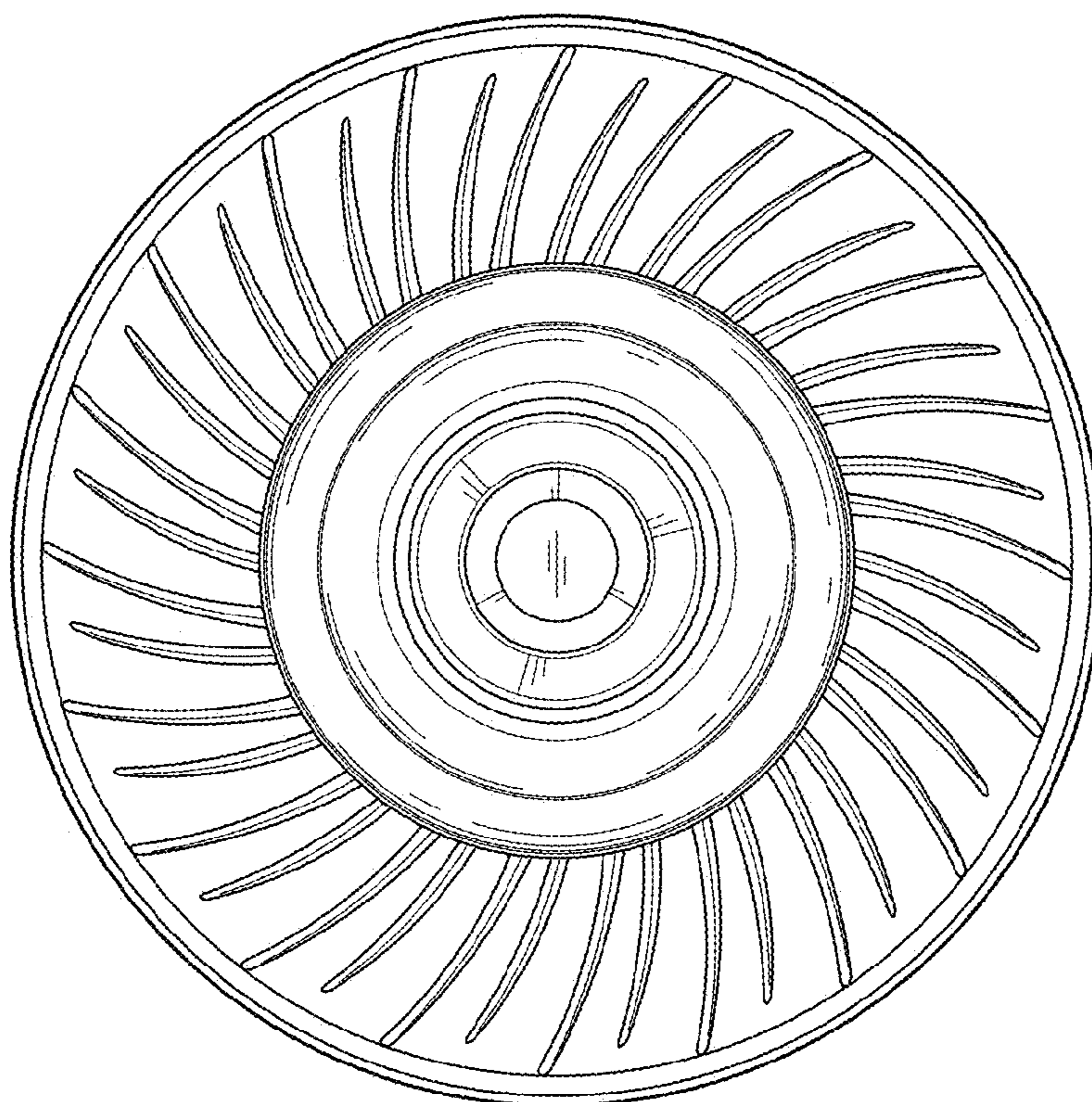
*FIG. 3*



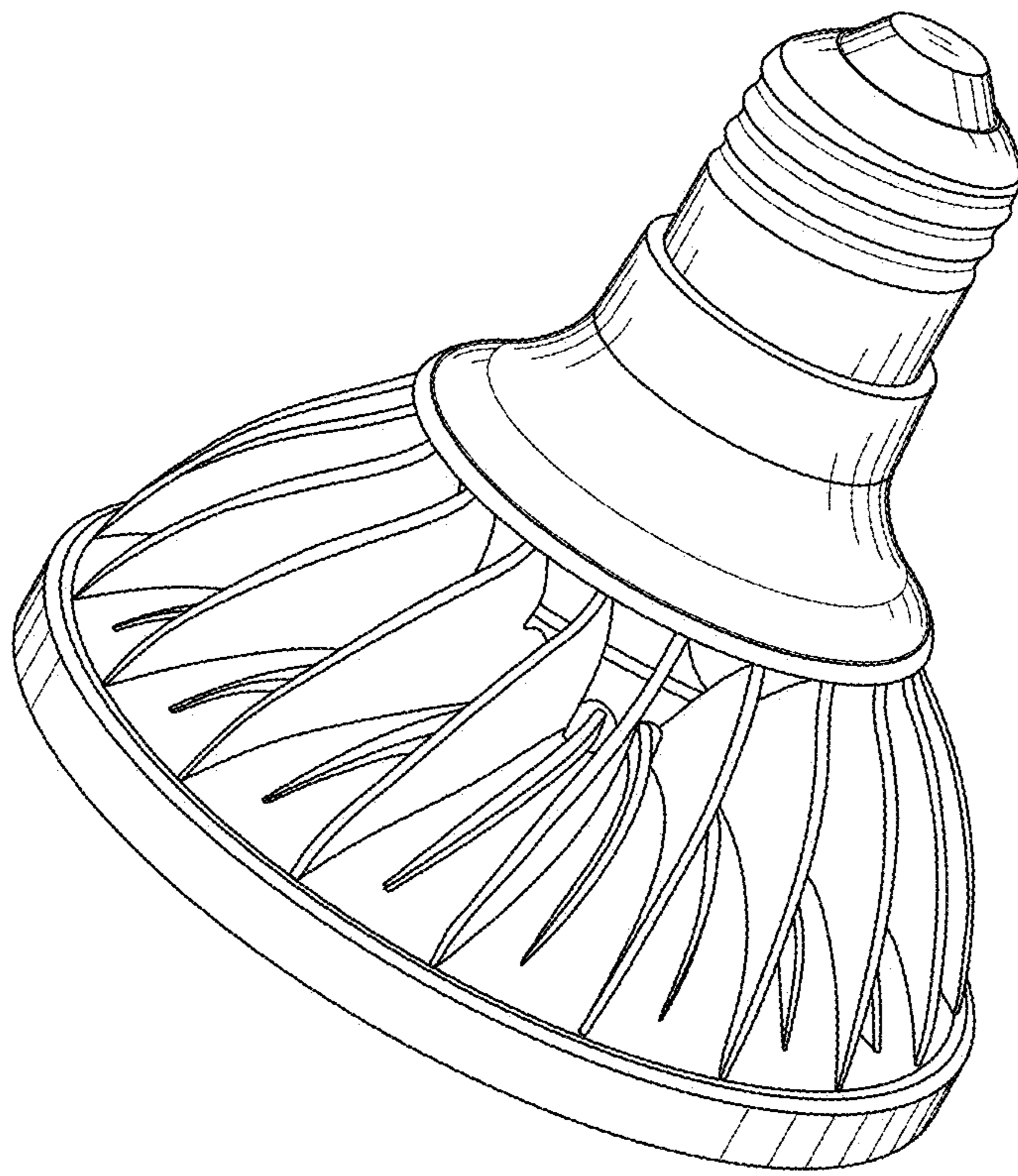
*FIG. 4*



*FIG. 5*



*FIG. 6*



*FIG. 7*