



US00D735901S

(12) **United States Design Patent**  
**Webb et al.**

(10) **Patent No.:** **US D735,901 S**  
(45) **Date of Patent:** **\*\* Aug. 4, 2015**

- (54) **FROSTED LED BULB**
- (71) Applicant: **Switch Bulb Company, Inc.**, San Jose, CA (US)
- (72) Inventors: **Andrew Webb**, San Jose, CA (US); **David Titzler**, Palo Alto, CA (US); **Alex Rochat**, Emeryville, CA (US); **Rob Swinton**, San Francisco, CA (US); **Jeff Salazar**, Palo Alto, CA (US)
- (73) Assignee: **Switch Bulb Company, Inc.**, San Jose, CA (US)
- (\*\*) Term: **14 Years**
- (21) Appl. No.: **29/472,695**
- (22) Filed: **Nov. 14, 2013**

D531,741 S	11/2006	Takahashi	
D534,665 S	1/2007	Egawa et al.	
D538,953 S	3/2007	Mama	
D615,220 S	5/2010	Crane et al.	
D651,327 S	12/2011	Hsiao et al.	
D654,193 S *	2/2012	Tong et al.	D26/2
D656,252 S *	3/2012	Engl et al.	D26/2
D663,869 S	7/2012	Choi et al.	
D679,035 S *	3/2013	Le et al.	D26/2

**OTHER PUBLICATIONS**

Notice of Allowance received for U.S. Appl. No. 29/404,806, mailed on Oct. 1, 2012, 8 pages.  
Notice of Allowance received for U.S. Appl. No. 29/445,849, mailed on Aug. 7, 2013, 9 pages.

\* cited by examiner

*Primary Examiner* — Marcus Jackson

(74) *Attorney, Agent, or Firm* — Morrison & Foerster LLP

**Related U.S. Application Data**

- (63) Continuation of application No. 29/445,849, filed on Feb. 18, 2013, now Pat. No. Des. 696,437, which is a continuation of application No. 29/404,806, filed on Oct. 25, 2011, now Pat. No. Des. 676,582.
- (51) **LOC (10) Cl.** ..... **26-04**
- (52) **U.S. Cl.**  
USPC ..... **D26/2**
- (58) **Field of Classification Search**  
USPC ..... D26/1-4; 313/313, 315, 316, 317, 318, 313/493; 315/52, 53, 56, 57, 58  
See application file for complete search history.

(57) **CLAIM**

The ornamental design for a frosted LED bulb, as shown and described.

**DESCRIPTION**

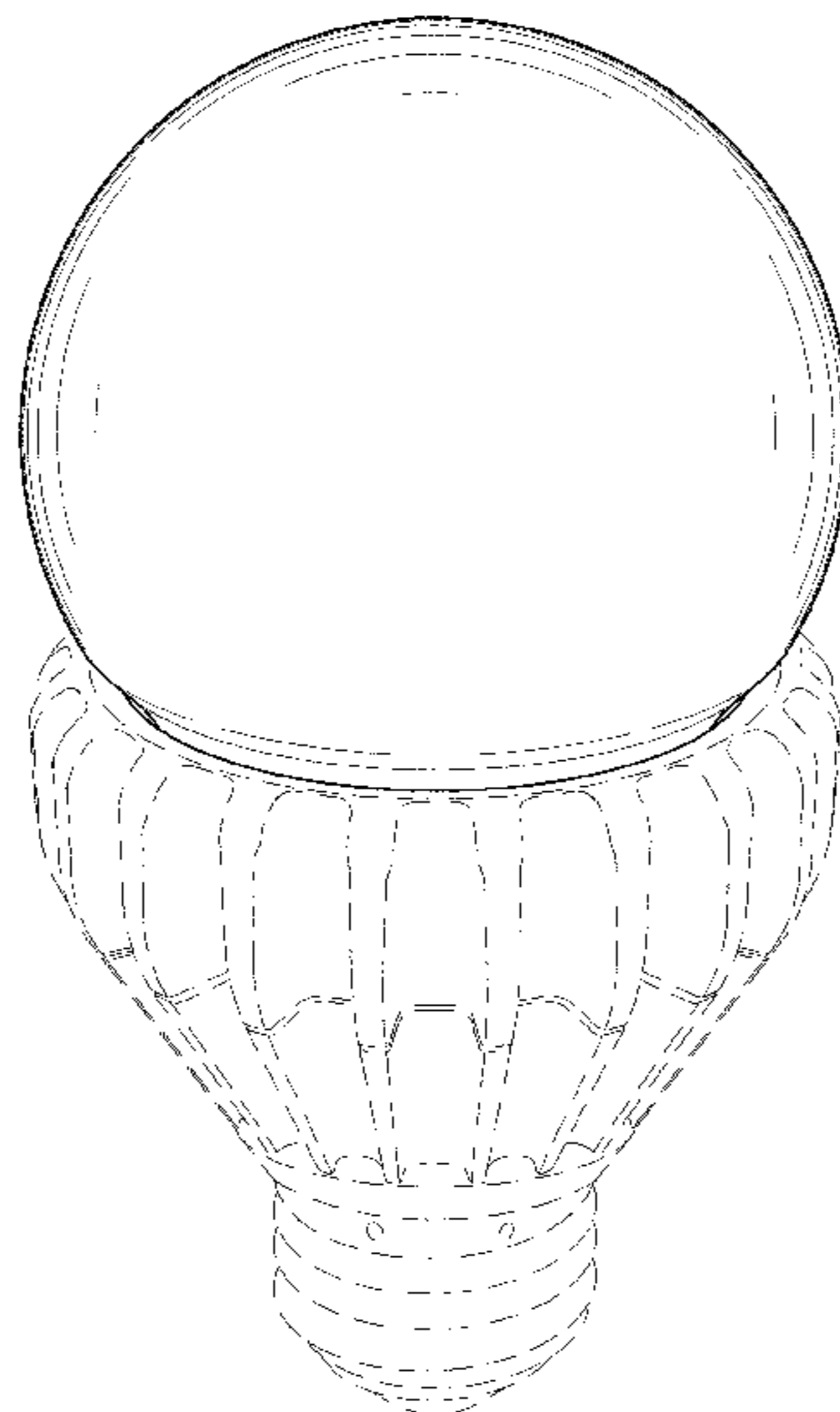
FIG. 1 is a perspective view of a first embodiment of a frosted LED bulb;  
FIG. 2 is a side view of the first embodiment;  
FIG. 3 is a top view of the first embodiment;  
FIG. 4 is a bottom view of the first embodiment;  
FIG. 5 is a perspective view of a second embodiment of a frosted LED bulb;  
FIG. 6 is a side view of the second embodiment;  
FIG. 7 is a top view of the second embodiment; and,  
FIG. 8 is a bottom view of the second embodiment.  
The broken lines illustrating portions of the frosted LED bulb form no part of the claimed design.

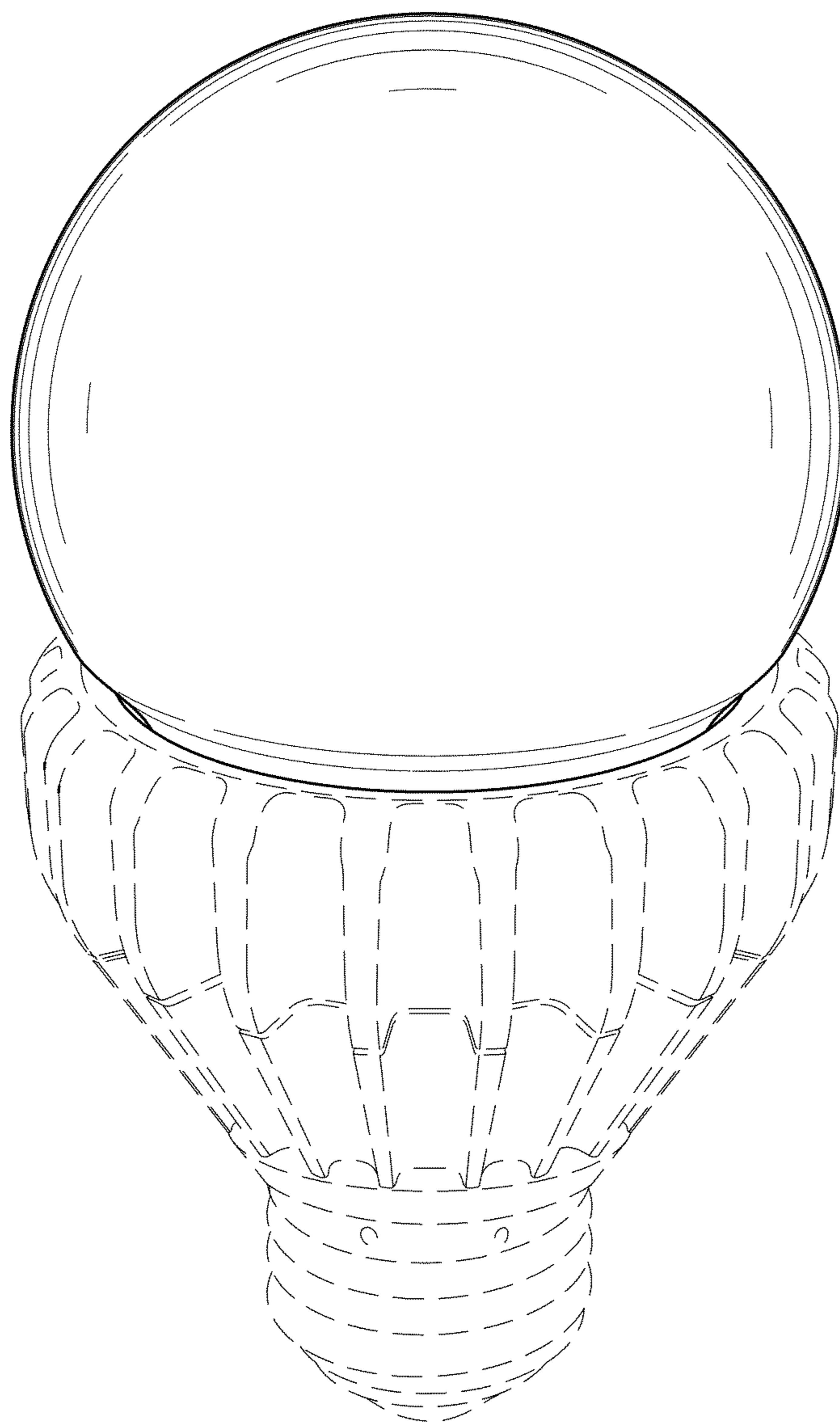
(56) **References Cited**

**U.S. PATENT DOCUMENTS**

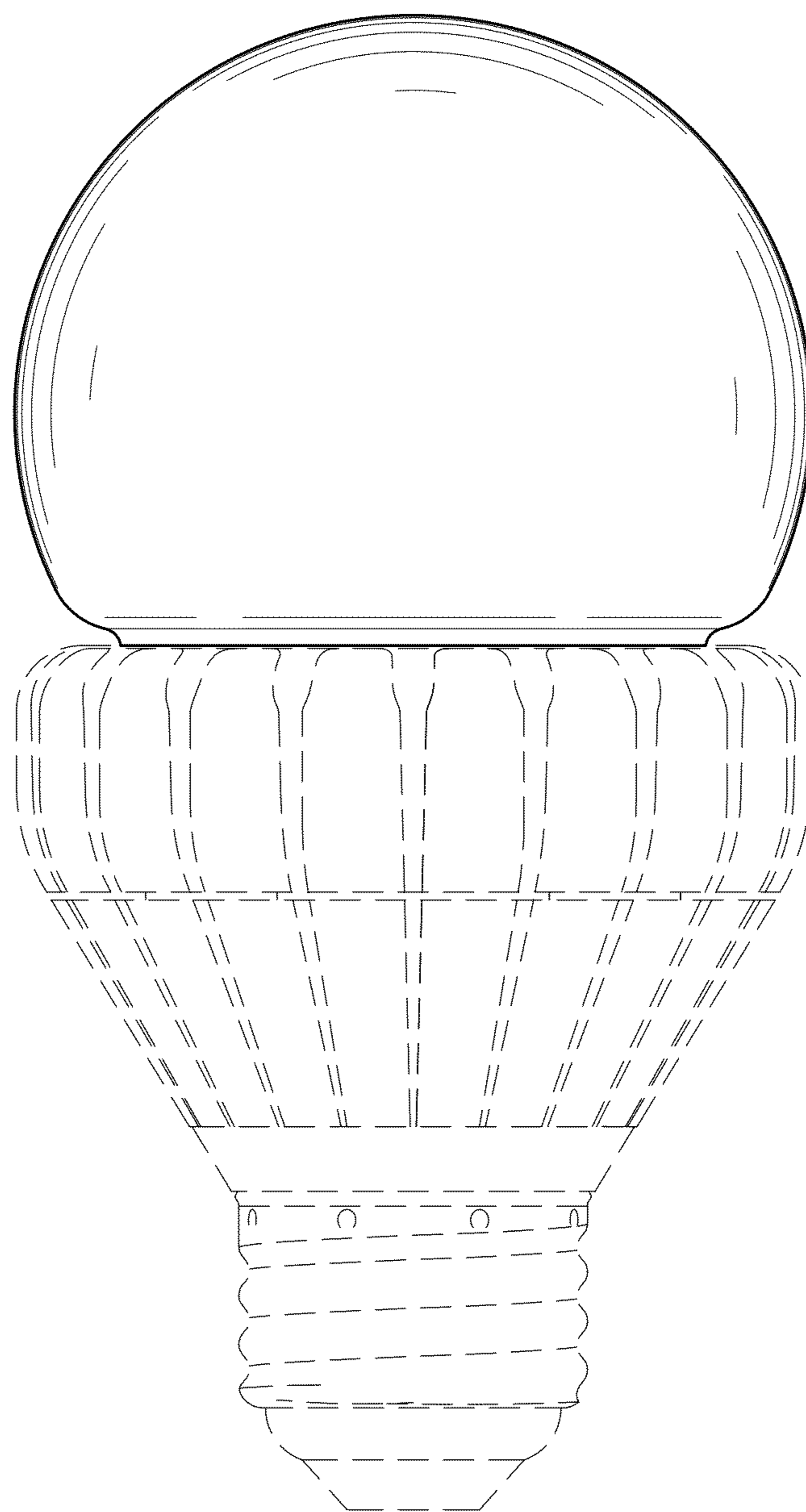
- D508,575 S 8/2005 Buschmann et al.
- D528,227 S 9/2006 Chou et al.

**1 Claim, 6 Drawing Sheets**

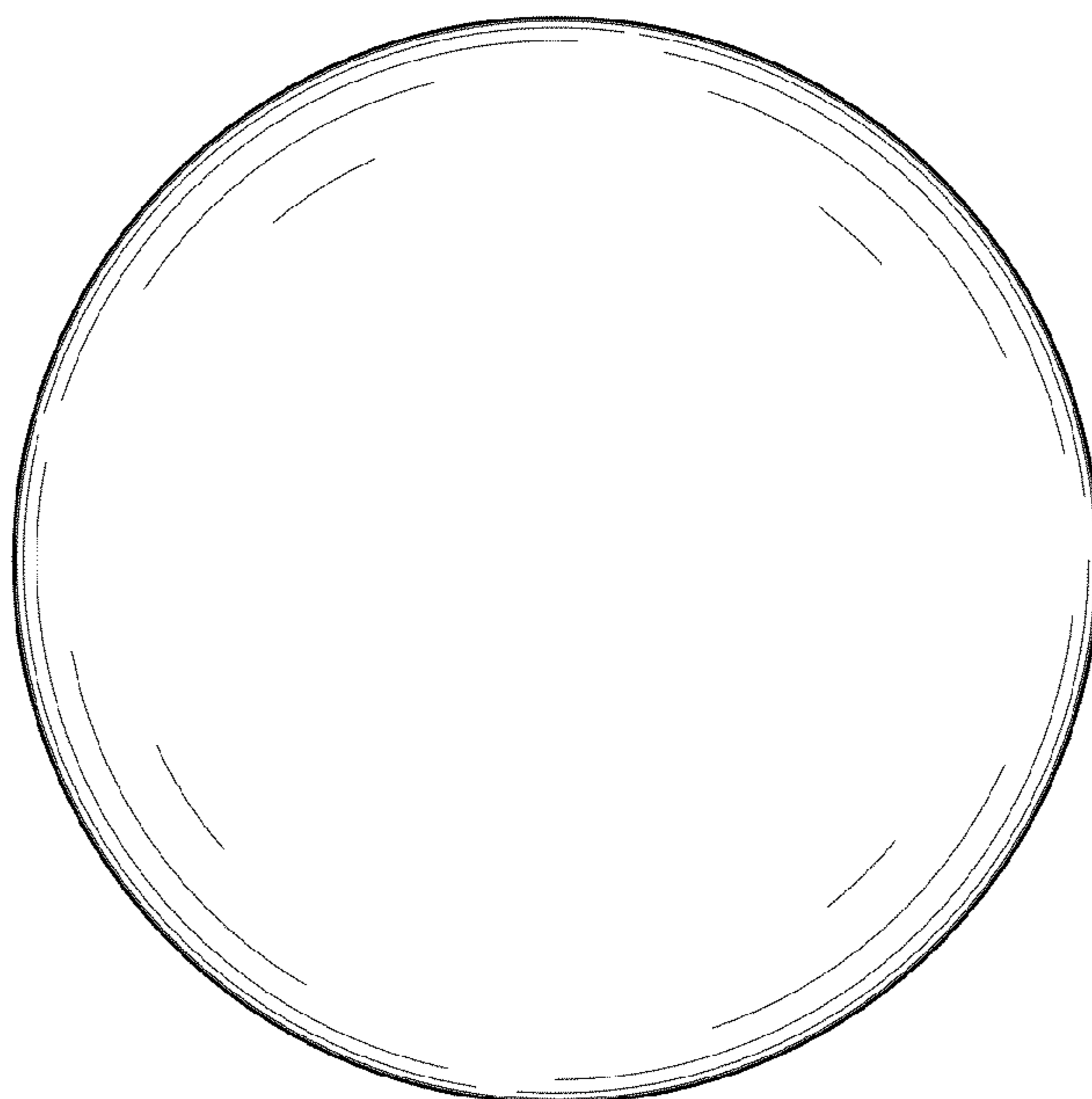




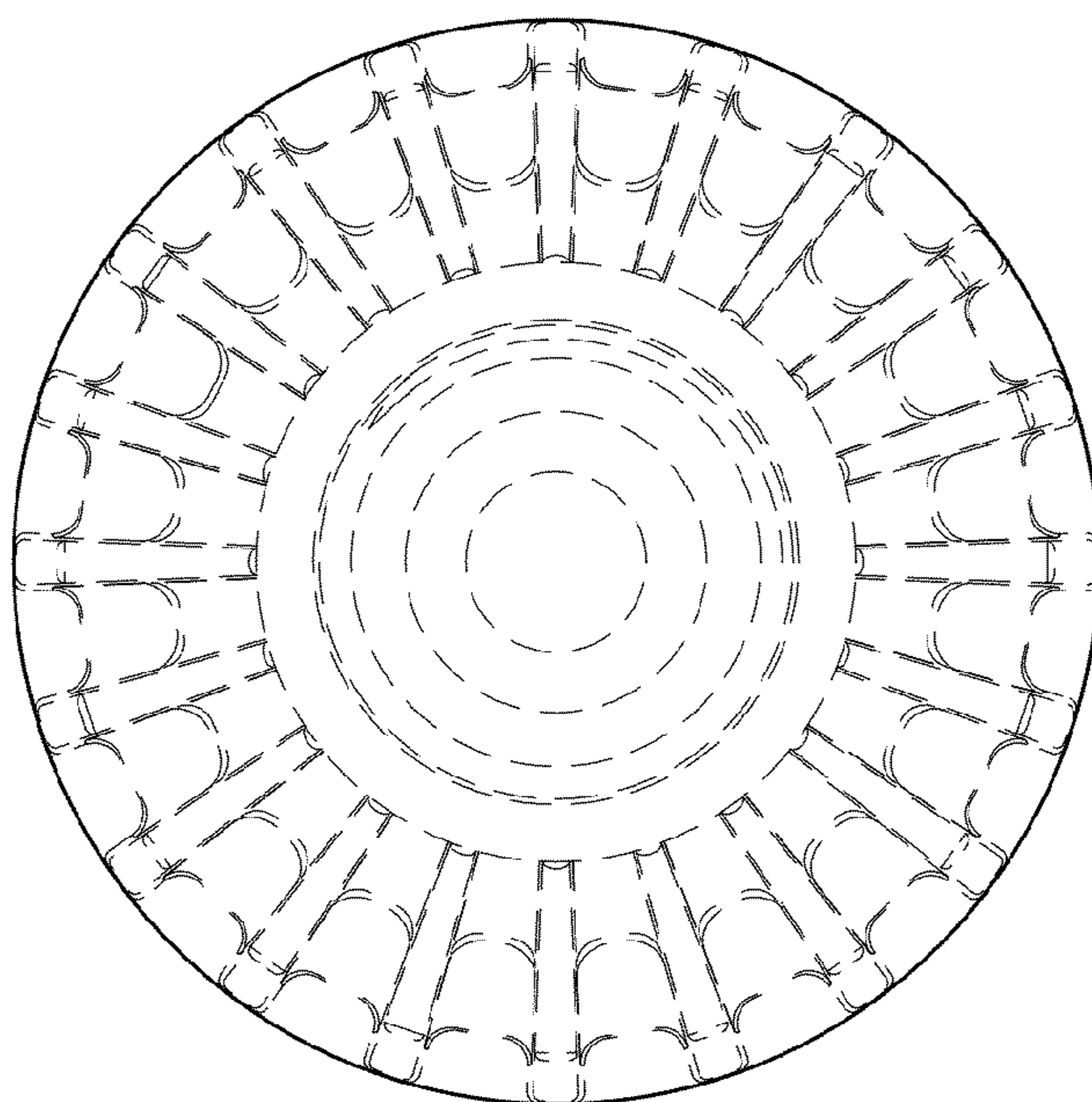
**FIG. 1**



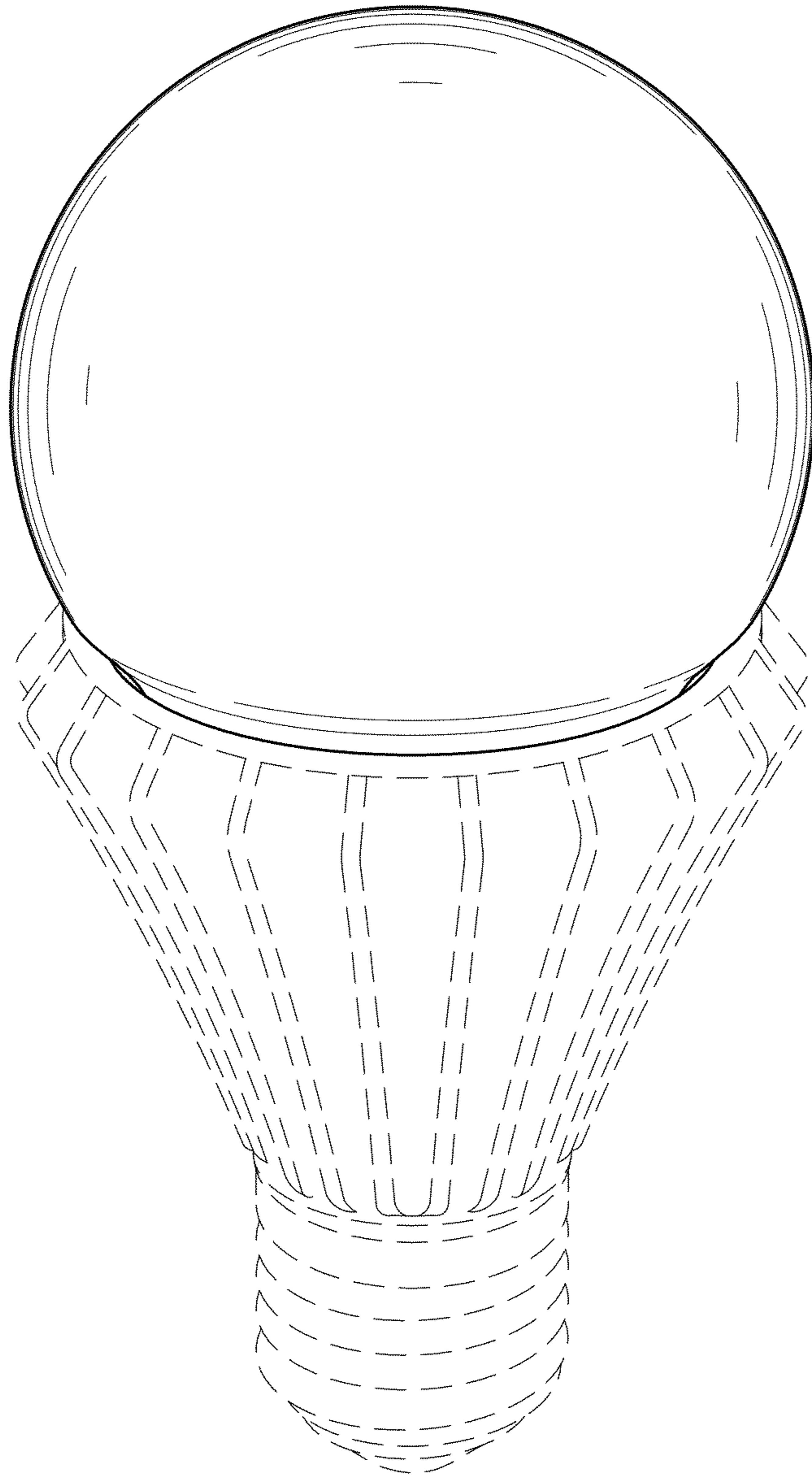
**FIG. 2**



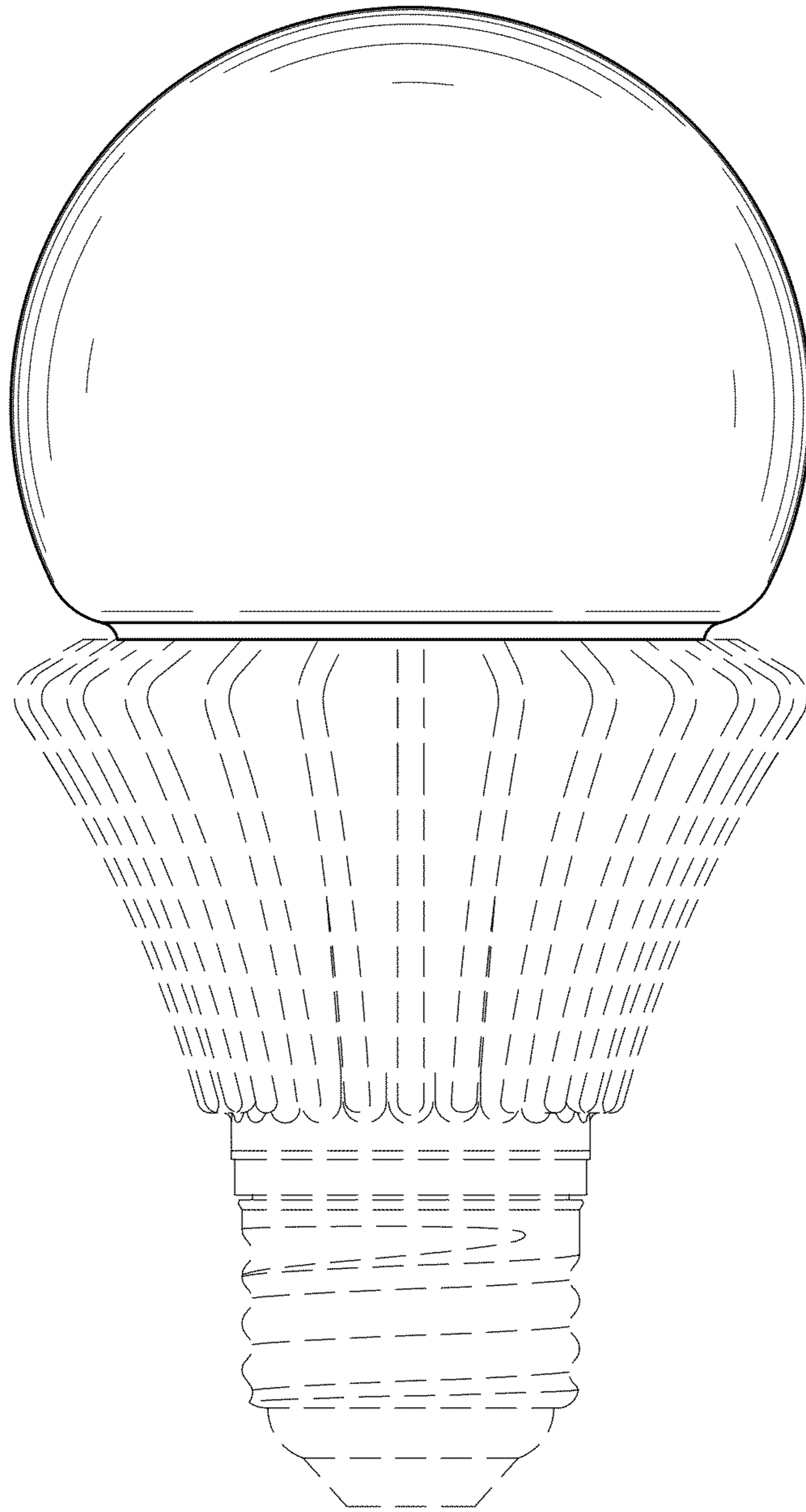
*FIG. 3*



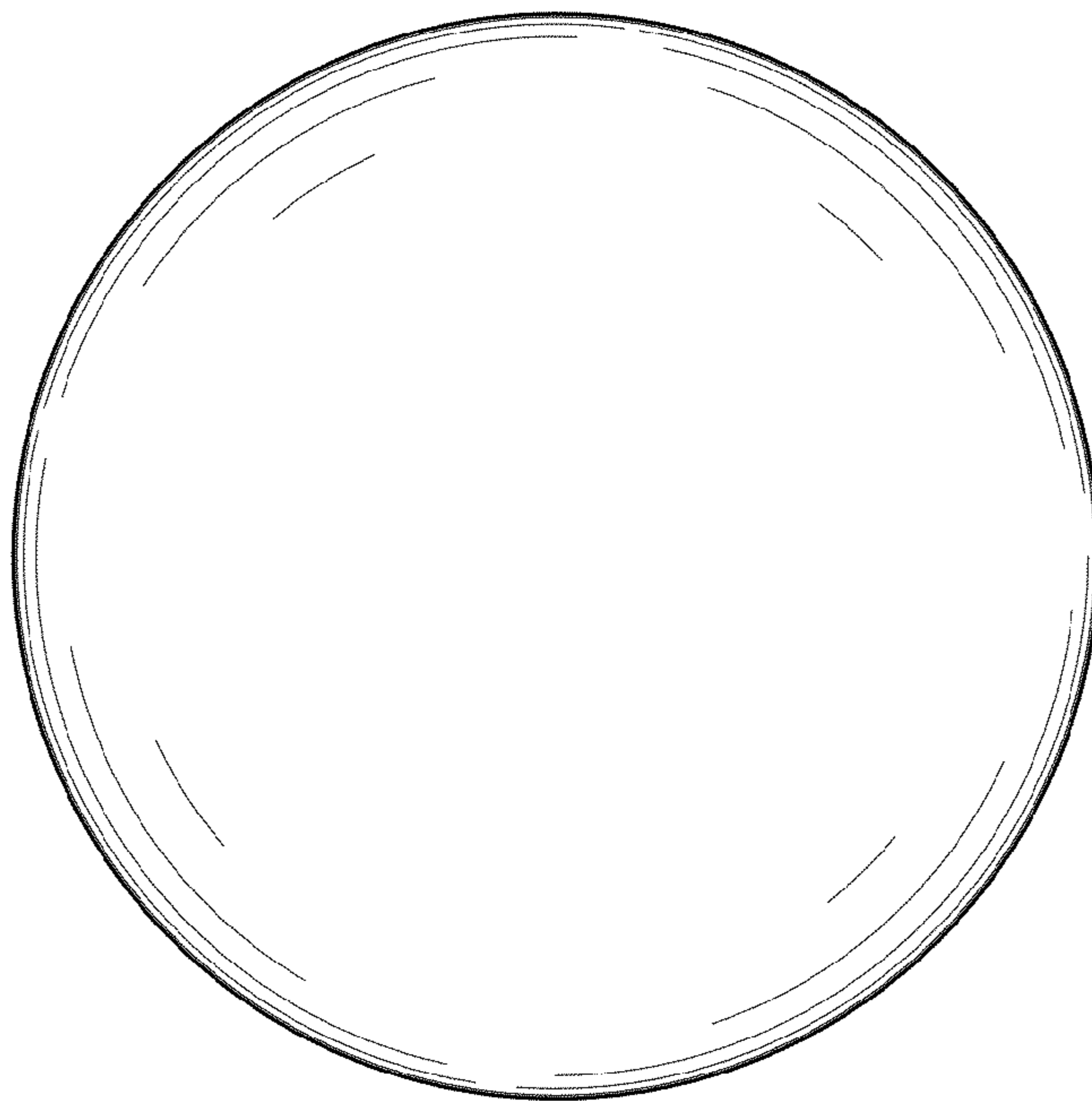
*FIG. 4*



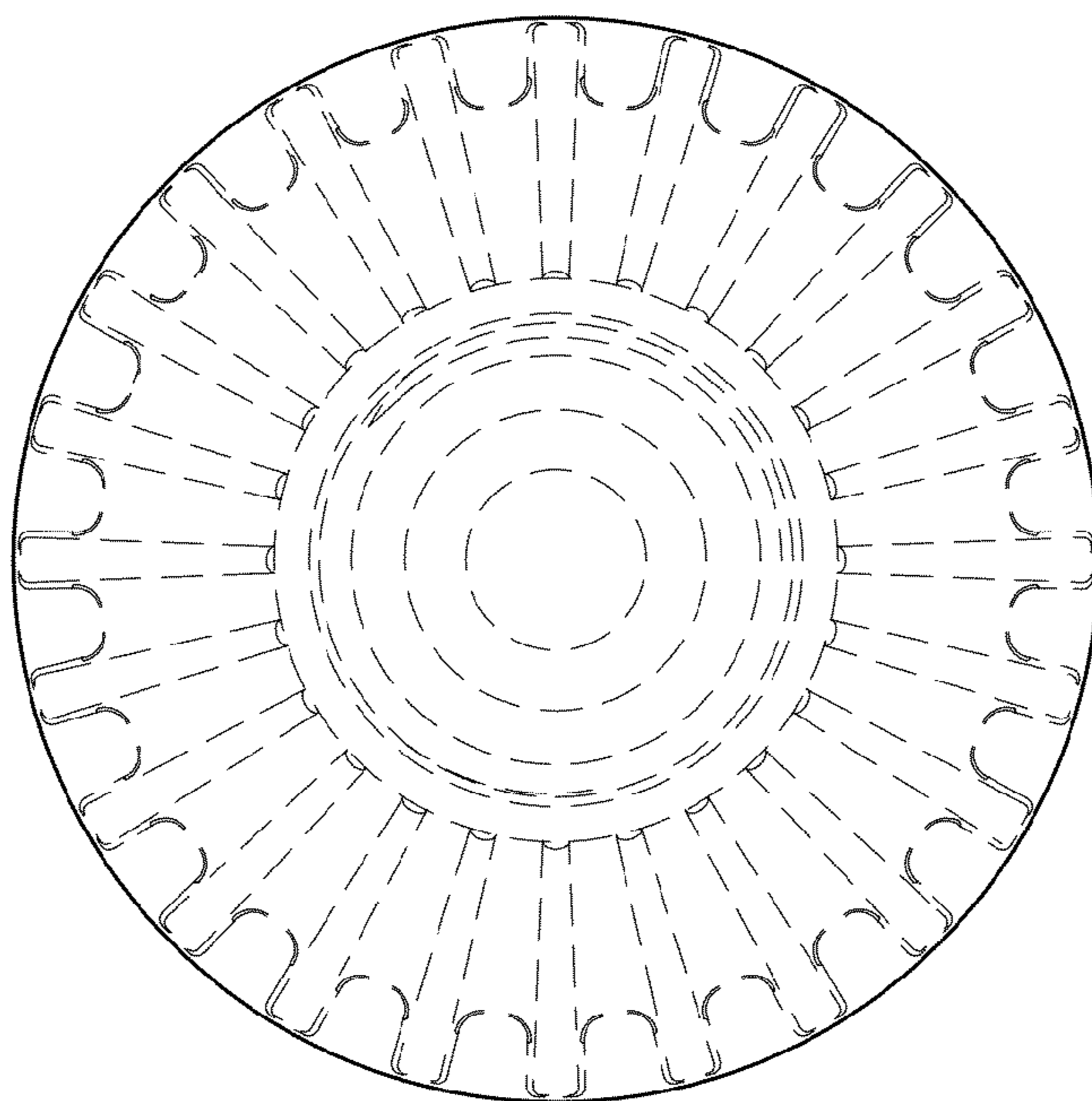
**FIG. 5**



**FIG. 6**



*FIG. 7*



*FIG. 8*