



US00D735900S

(12) **United States Design Patent**
Bukkems et al.

(10) **Patent No.:** **US D735,900 S**
(45) **Date of Patent:** **** Aug. 4, 2015**

(54) **LED TUBE FOR A LED BULB**

(71) Applicant: **KONINKLIJKE PHILIPS N.V.**,
Eindhoven (NL)

(72) Inventors: **Peter Johannes Martinus Bukkems**,
Deurne (NL); **Johannes Petrus Maria**
Ansems, Hulsel (NL); **Zhen Ning Yao**,
Shanghai (CN); **Cheng Ming Pu**,
Shanghai (CN); **Zhaobin Guo**, Shanghai
(CN)

(73) Assignee: **KONINKLIJKE PHILIPS N.V.**,
Eindhoven (NL)

(**) Term: **14 Years**

(21) Appl. No.: **29/467,455**

(22) Filed: **Sep. 19, 2013**

(30) **Foreign Application Priority Data**

Mar. 21, 1920 (EM) 002206870-0001

(51) **LOC (10) Cl.** **26-04**

(52) **U.S. Cl.**
USPC **D26/1**

(58) **Field of Classification Search**

USPC D26/1-4; 313/313, 315, 316, 317, 318,
313/493; 315/52, 53, 56, 57, 58

See application file for complete search history.

(56) **References Cited**

U.S. PATENT DOCUMENTS

D256,949 S * 9/1980 Patel D23/386
D424,218 S * 5/2000 Yu D26/2

* cited by examiner

Primary Examiner — Marcus Jackson

(57) **CLAIM**

The ornamental design for a LED tube for a LED bulb, as shown.

DESCRIPTION

FIG. 1 is a perspective view showing my design;

FIG. 2 is a front elevational view thereof;

FIG. 3 is a rear elevational view thereof;

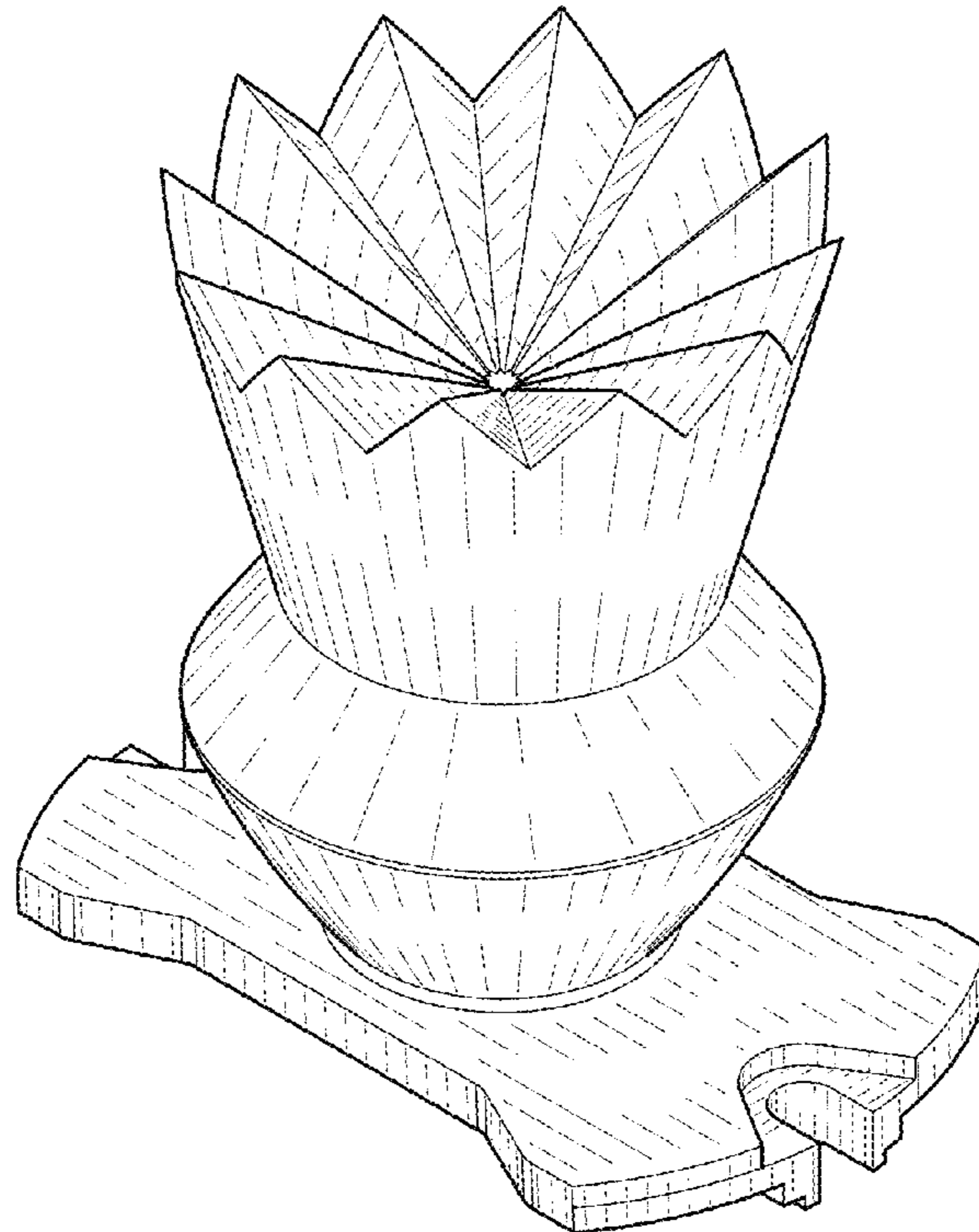
FIG. 4 is a right side elevational view thereof;

FIG. 5 is a left side elevational view thereof;

FIG. 6 is a top plan view thereof; and,

FIG. 7 is a bottom plan view thereof.

1 Claim, 4 Drawing Sheets



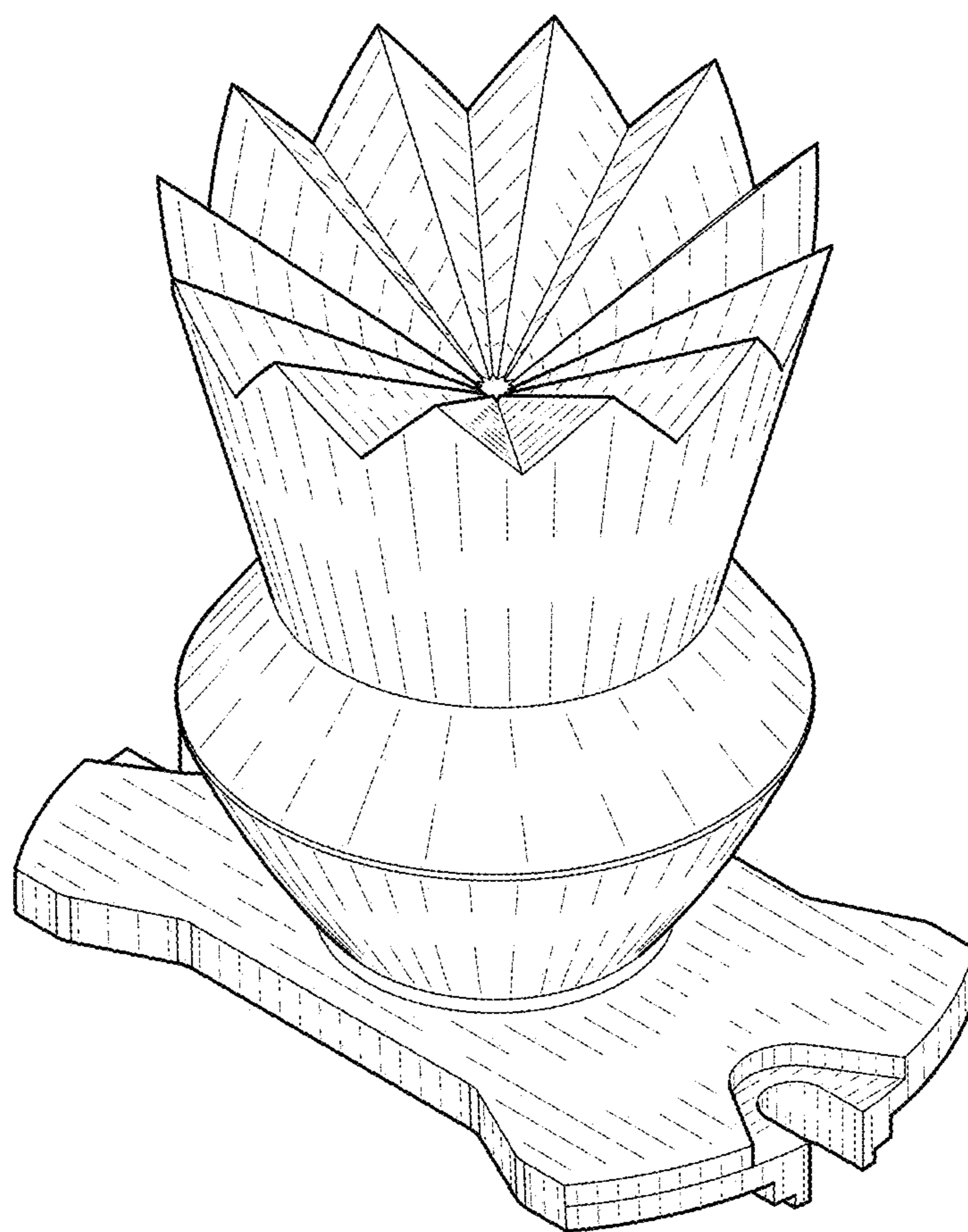


FIG. 1

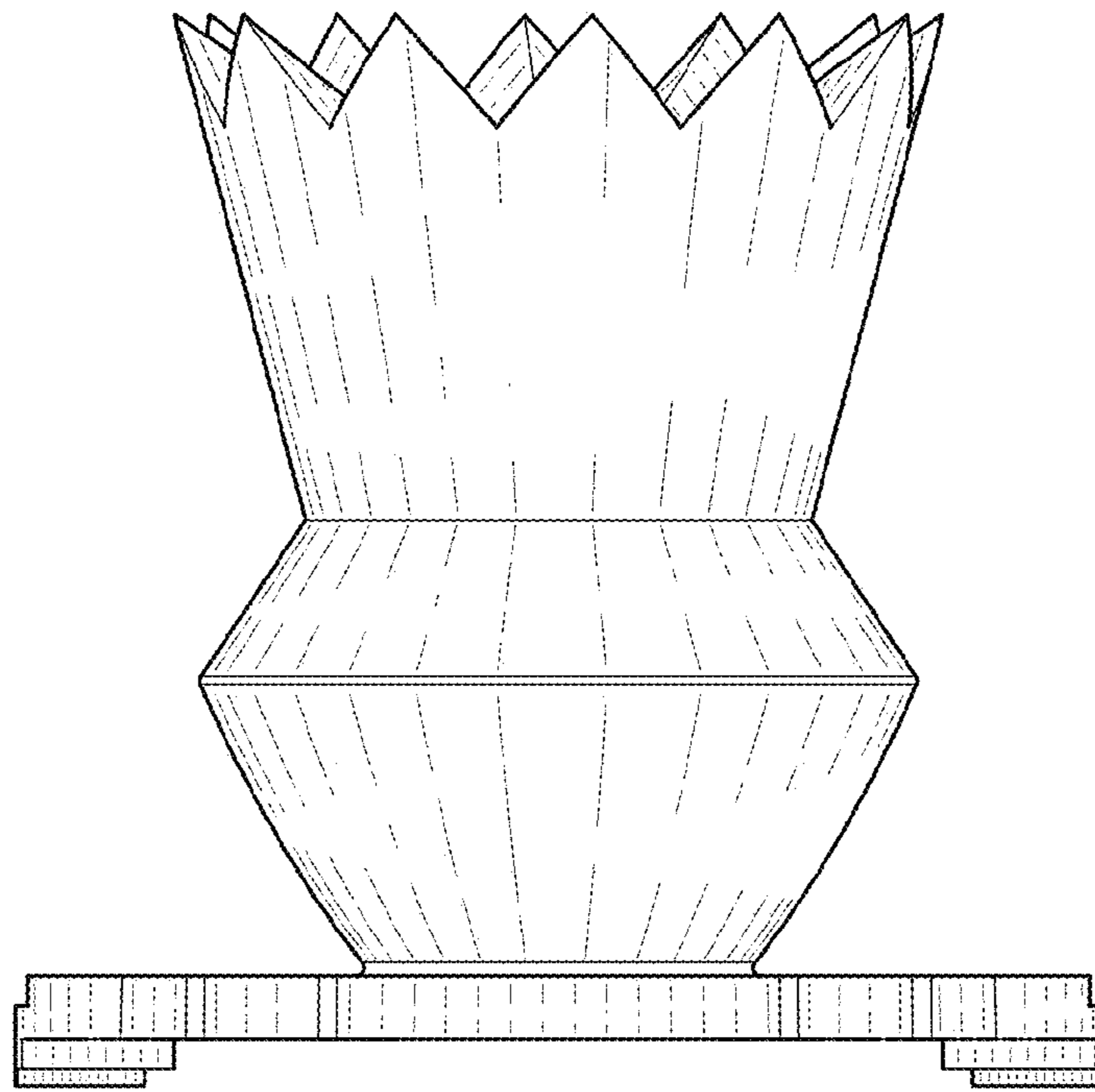


FIG. 2

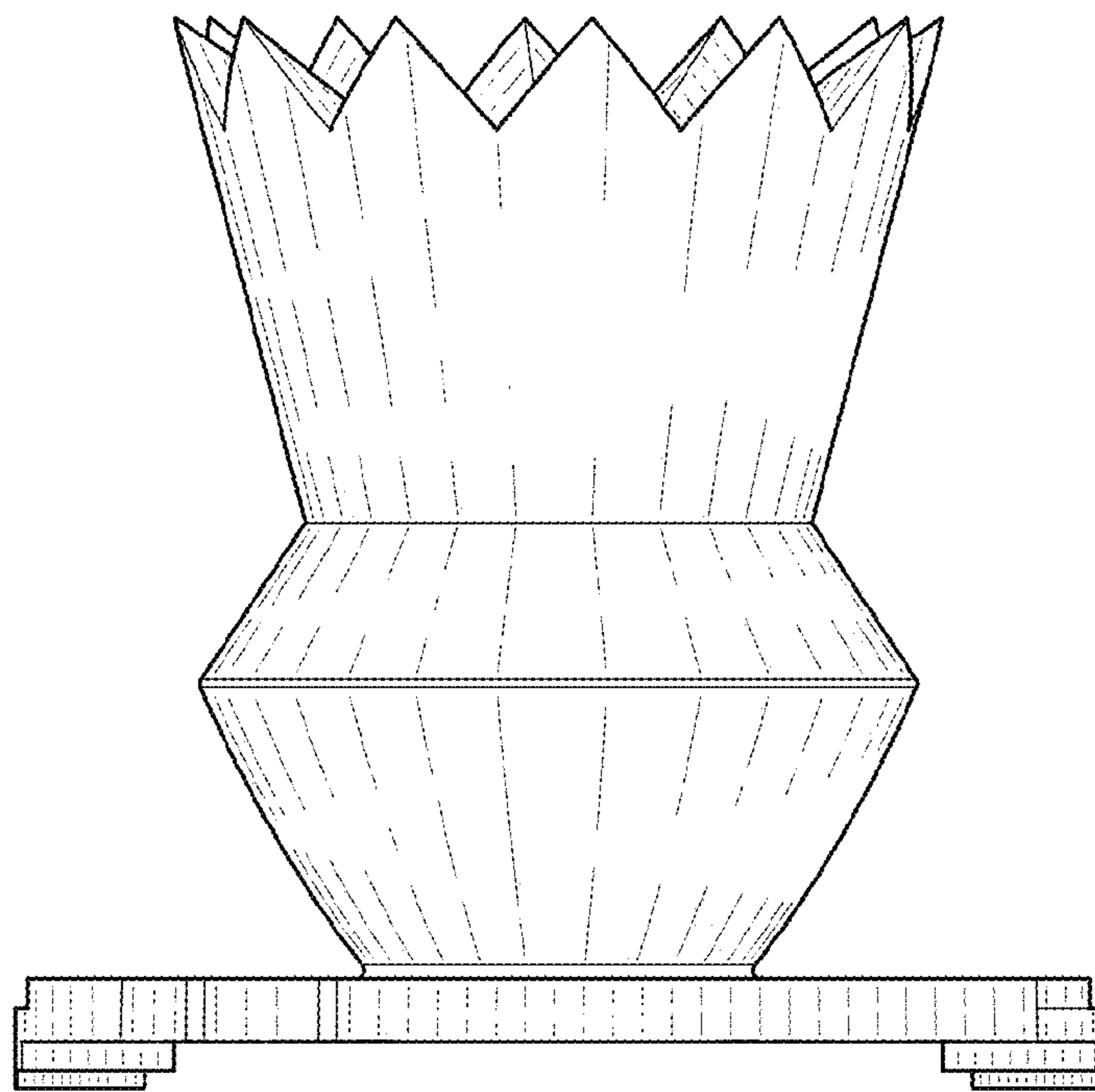


FIG. 3

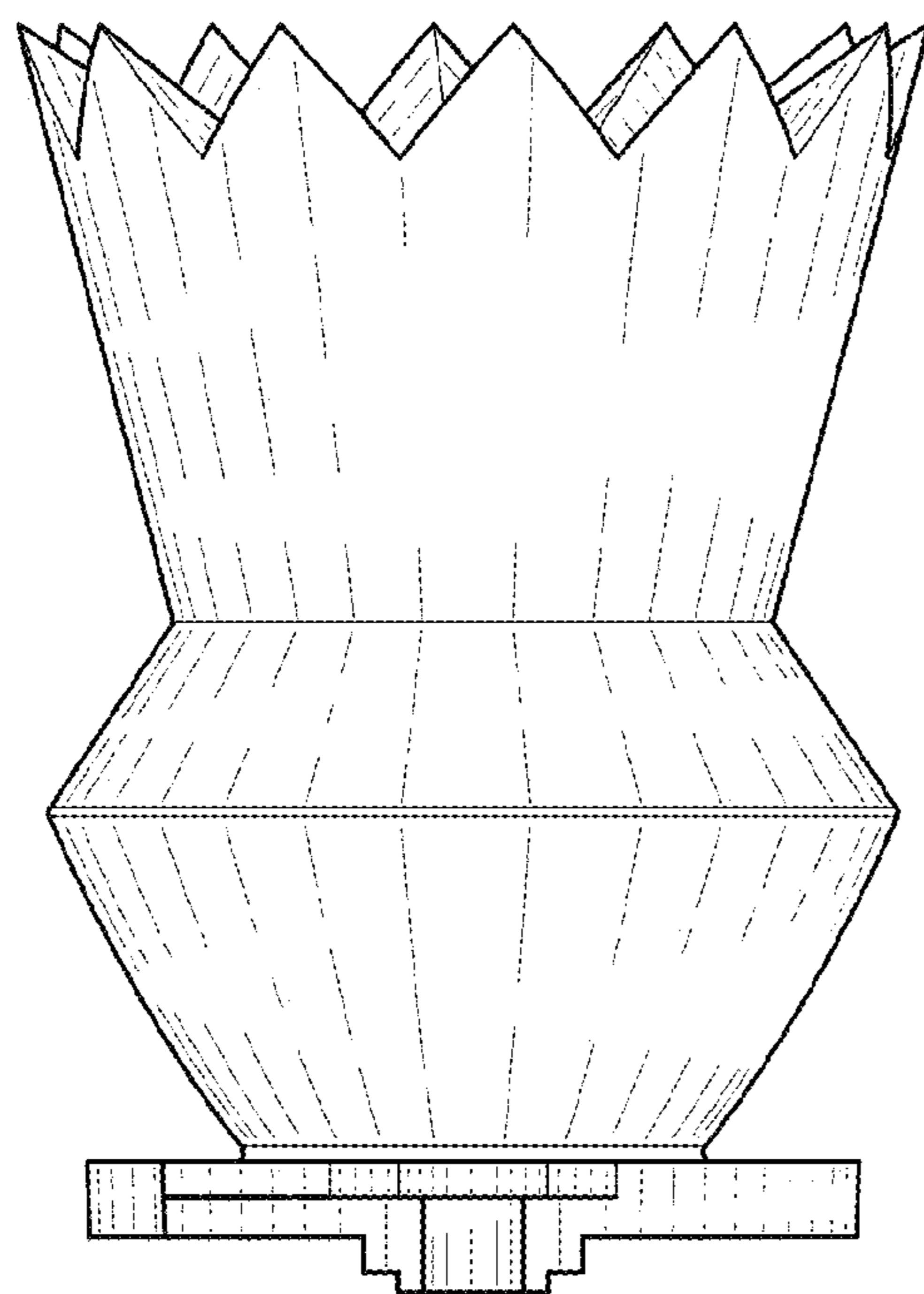


FIG. 4

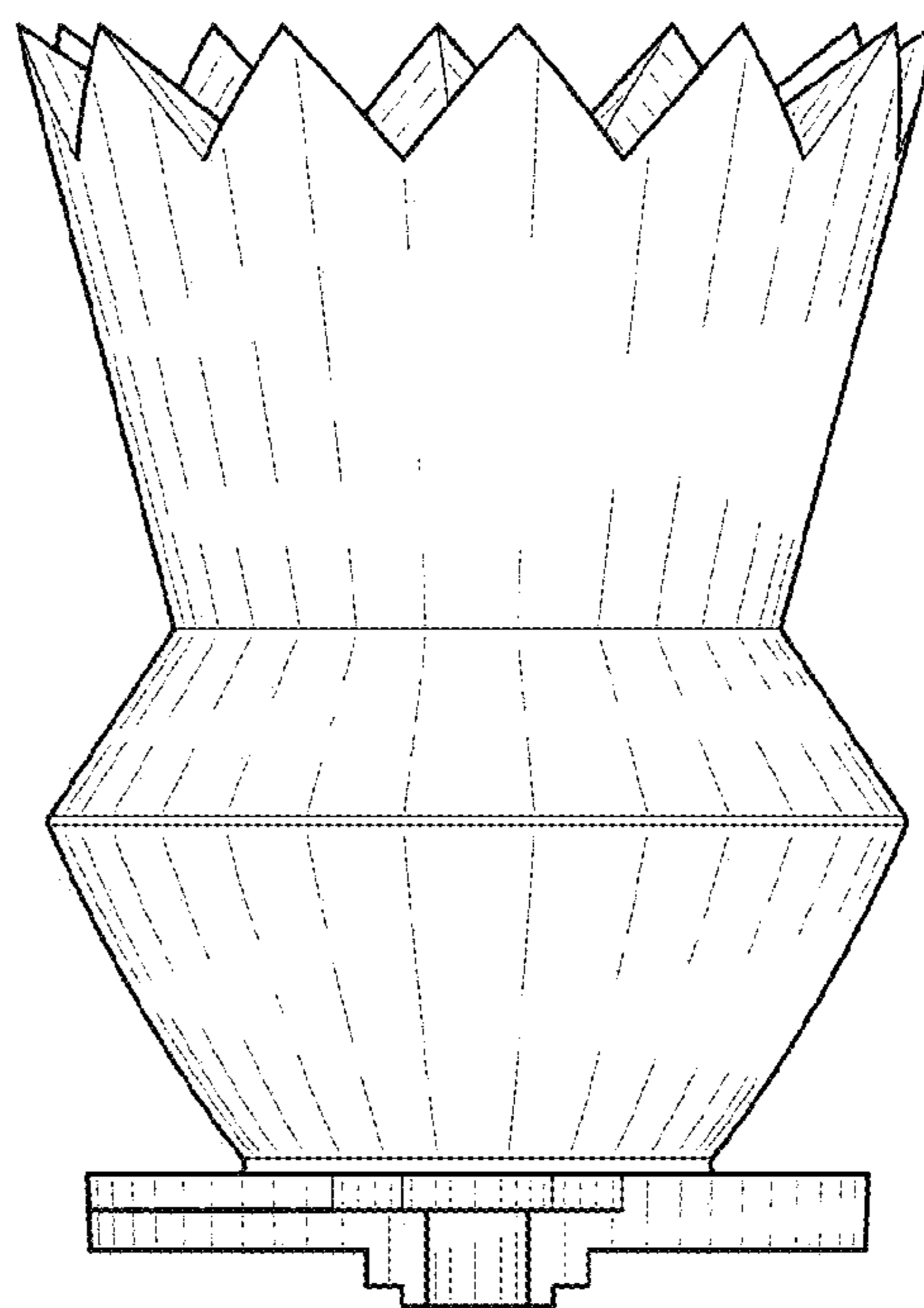


FIG. 5

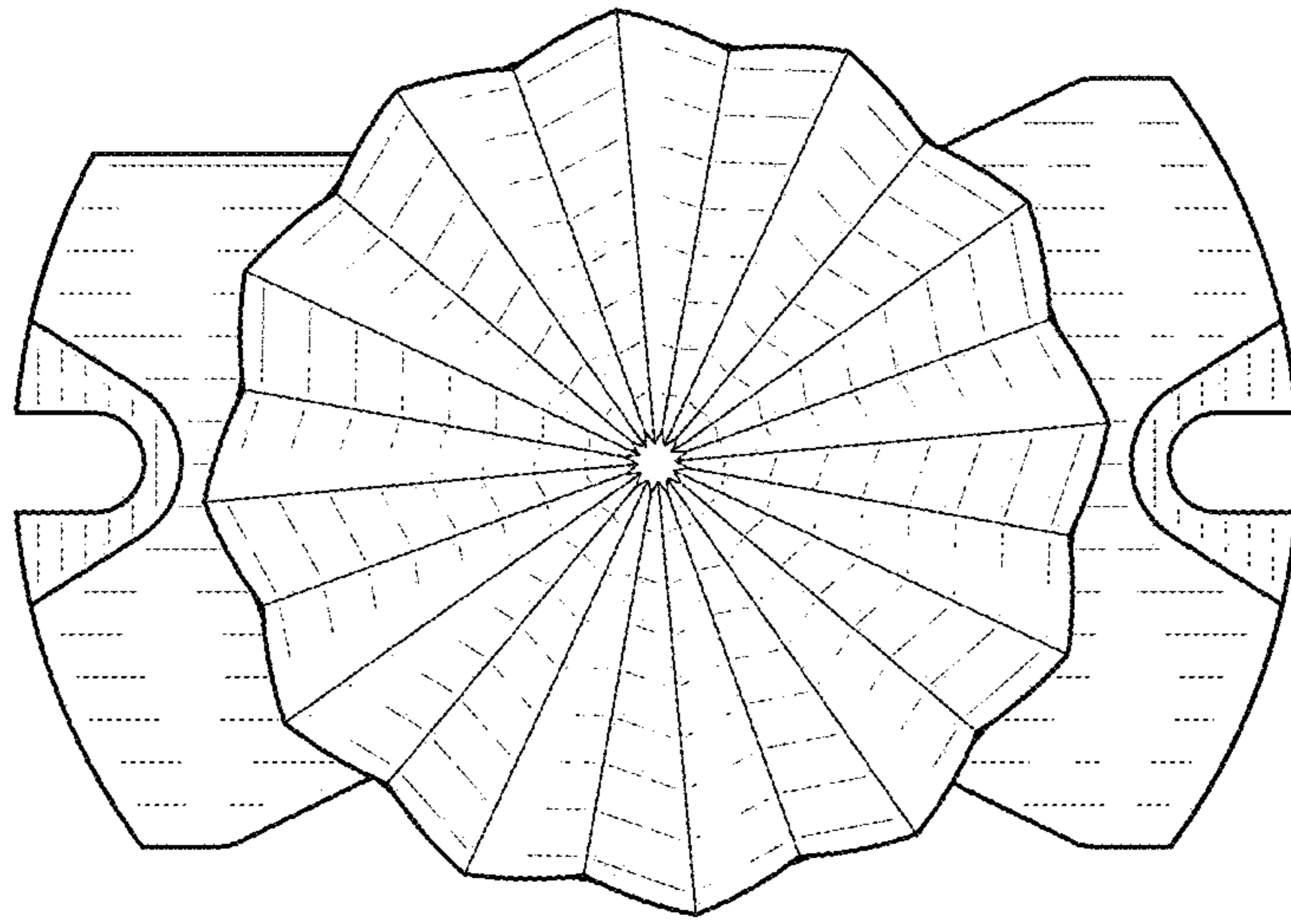


FIG. 6

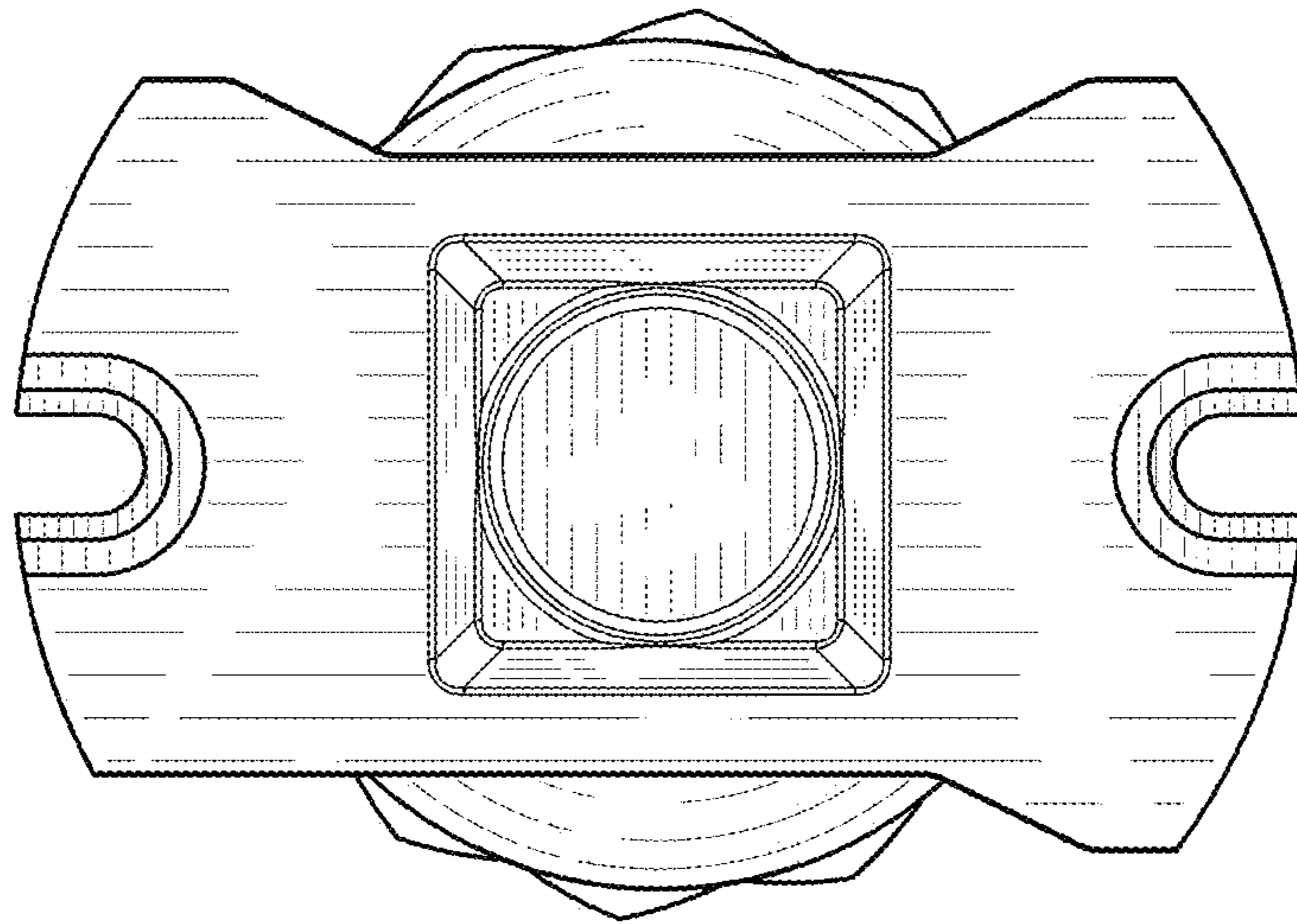


FIG. 7