

US00D735897S

(12) **United States Design Patent**
Møller et al.

(10) **Patent No.:** **US D735,897 S**

(45) **Date of Patent:** **** Aug. 4, 2015**

(54) **ACCESSORY ELEMENT FOR WINDOW SYSTEM**

(71) Applicant: **VKR Holding A/S**, Hørsholm (DK)

(72) Inventors: **Brent Møller**, Gentofte (DK); **Claes Lindgren**, Farum (DK)

(73) Assignee: **VKR Holding A/S** (DK)

(**) Term: **14 Years**

(21) Appl. No.: **29/499,788**

(22) Filed: **Aug. 19, 2014**

Related U.S. Application Data

(62) Division of application No. 29/440,683, filed on Dec. 26, 2012, now Pat. No. Des. 714,470.

(51) **LOC (10) Cl.** **25-01**

(52) **U.S. Cl.**
USPC **D25/136**

(58) **Field of Classification Search**
USPC D25/133, 134, 136, 135; 52/200, 60,
52/235, 489.1, 718.04, 800.15, 800.17,
52/469

See application file for complete search history.

(56) **References Cited**

U.S. PATENT DOCUMENTS

2,865,312 A * 12/1958 Cookson 52/520
3,197,935 A * 8/1965 Clancy et al. 52/718.04

4,546,586 A * 10/1985 Knudson 52/469
4,569,175 A * 2/1986 Abciuk 52/506.07
D659,264 S * 5/2012 Wennerholm D25/136
2005/0095060 A1 * 5/2005 Buttau et al. 403/252

* cited by examiner

Primary Examiner — Doris Clark

(74) *Attorney, Agent, or Firm* — Merek, Blackmon & Voorhees, LLC

(57) **CLAIM**

The ornamental design for an accessory element for window system, as shown and described.

DESCRIPTION

FIG. 1 is a perspective view taken from the front, bottom and right side of an accessory element for window system;

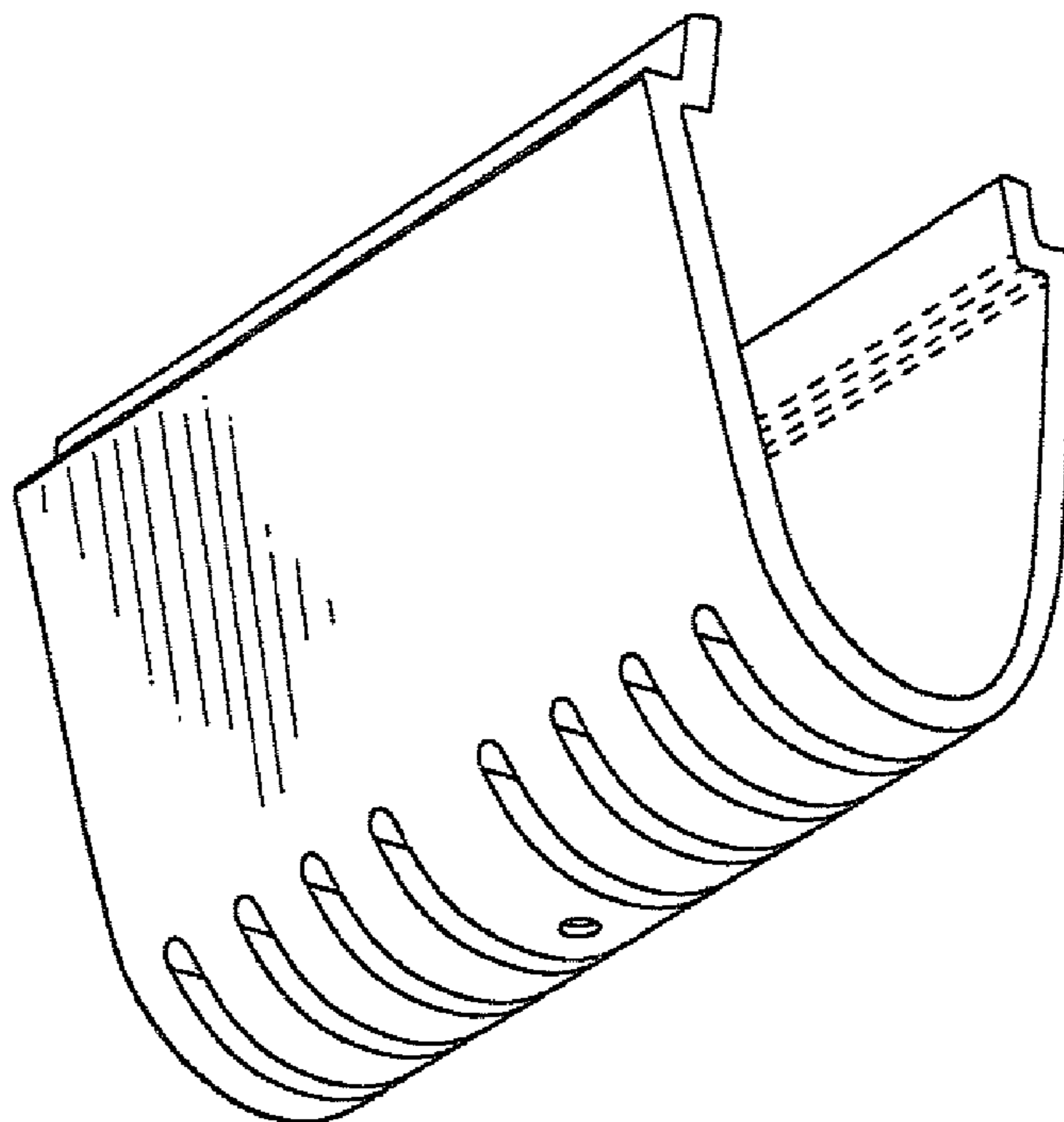
FIG. 2 is a perspective view taken from the front, top and right side of the accessory element for window system of FIG. 1; and,

FIG. 3 is a bottom plan view of the accessory element for window system of FIG. 1.

The left side of the accessory element for window system of FIG. 1 is a mirror image of the right side, and the rear of the accessory element for window system of FIG. 1 is a mirror image of the front.

The broken lines of the drawings disclose environmental structure that forms no part of the claimed design.

1 Claim, 1 Drawing Sheet



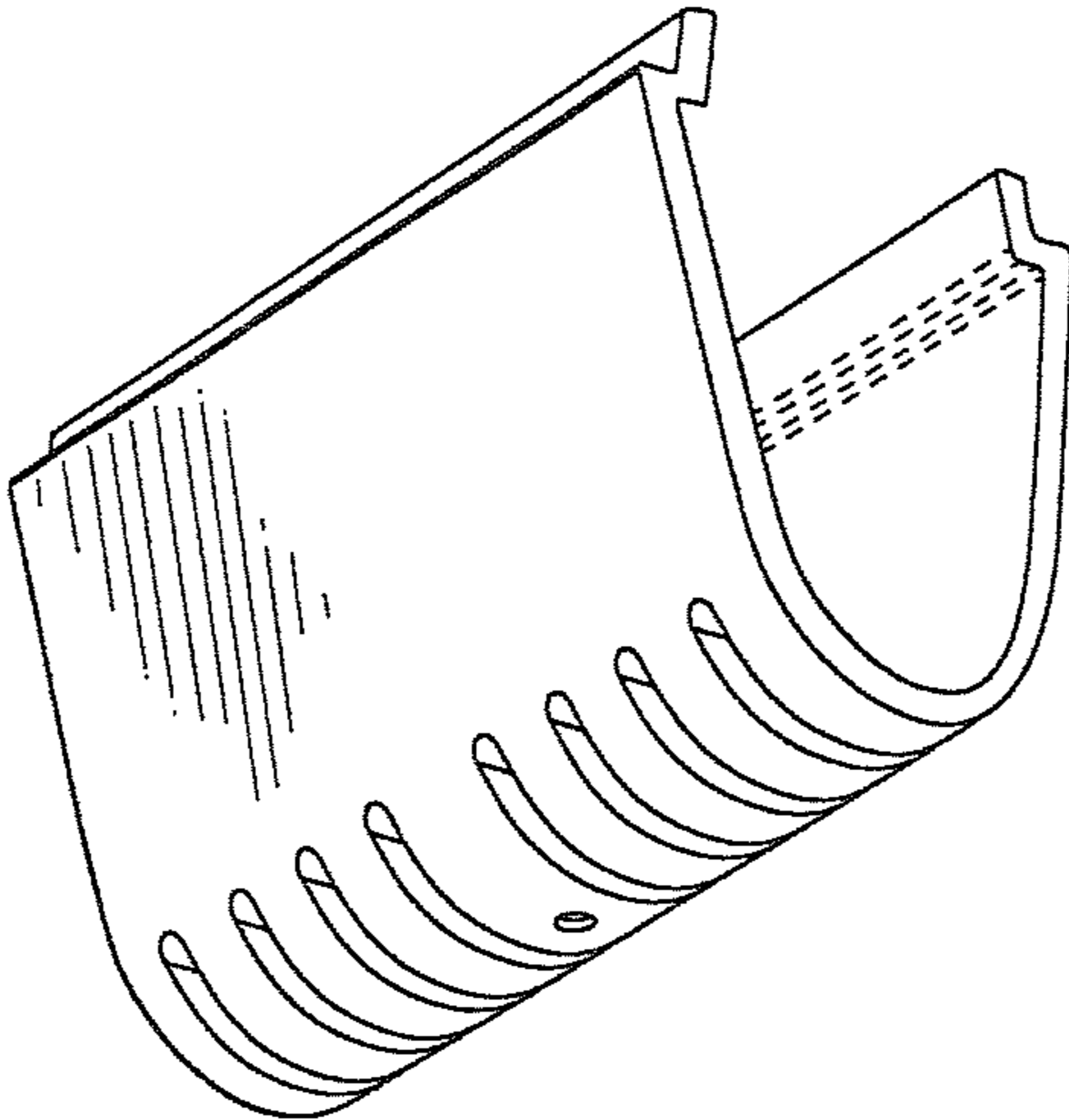


Fig. 1

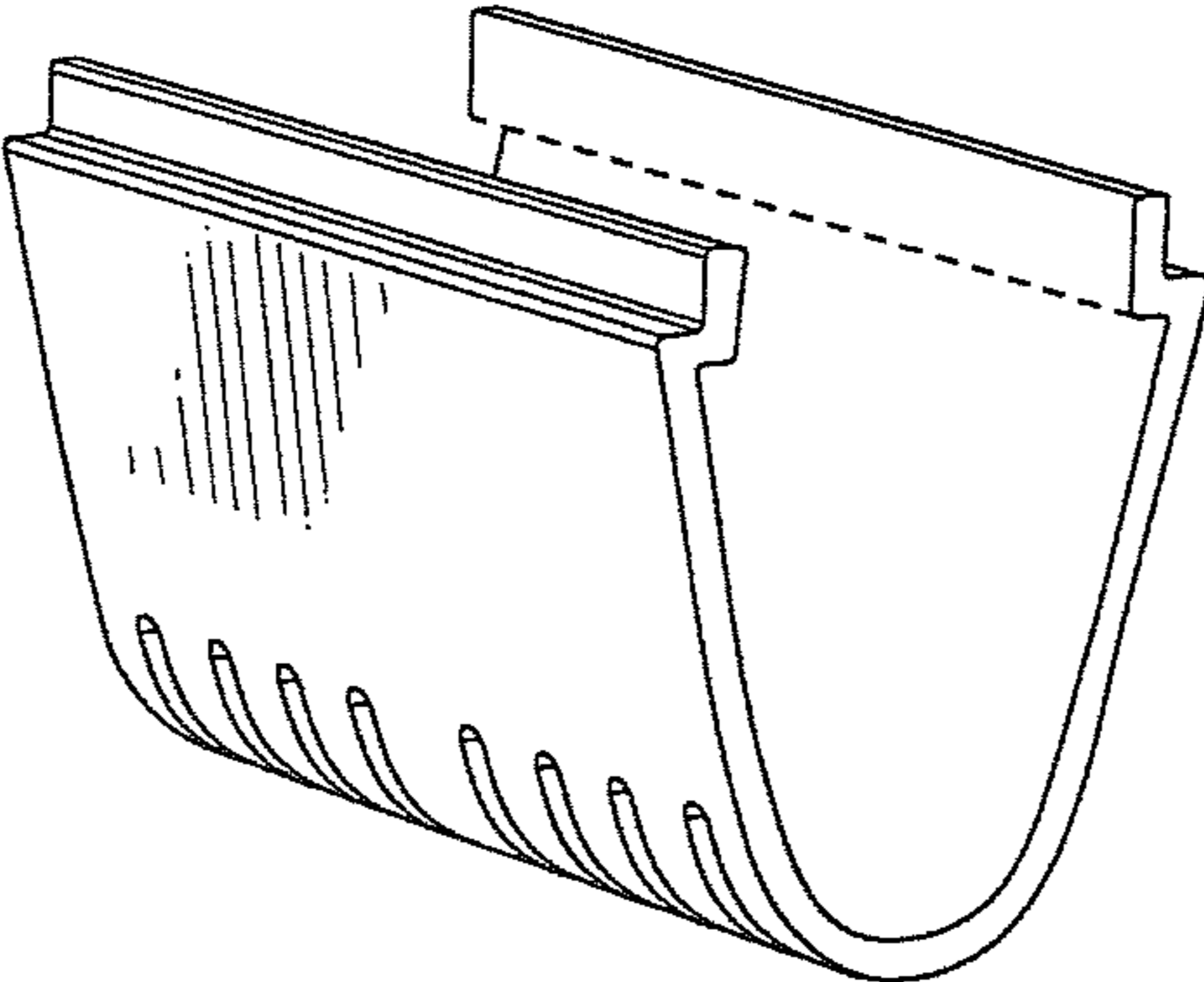


Fig. 2

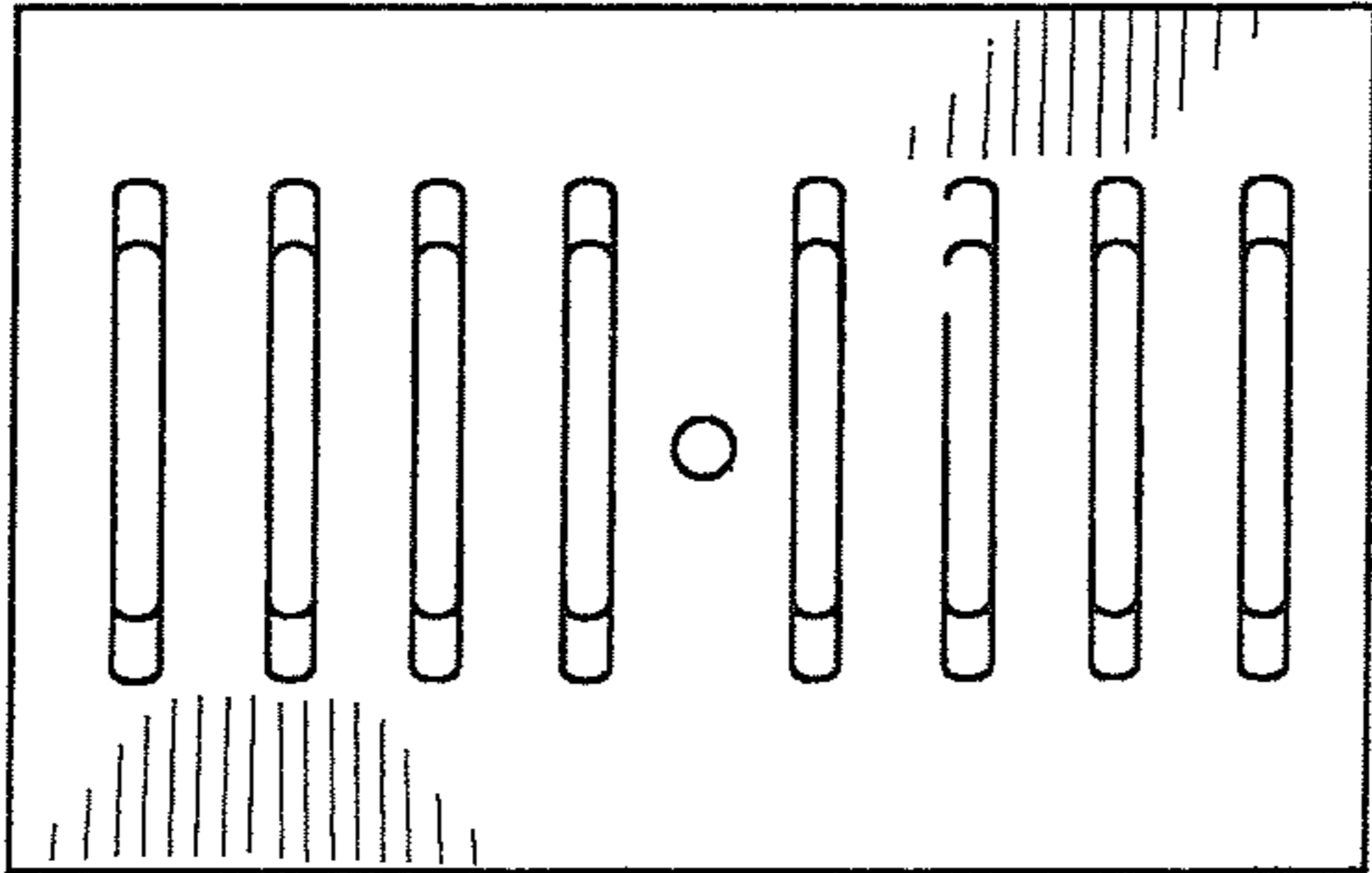


Fig. 3