

US00D735896S

(12) **United States Design Patent**
Reusing et al.

(10) **Patent No.:** **US D735,896 S**
(45) **Date of Patent:** **** Aug. 4, 2015**

- (54) **HELIX ADAPTOR FOR A PILE**
- (71) Applicant: **GOLIATHTECH INC.**, Magog (CA)
- (72) Inventors: **Julian L. Reusing**, Magog (CA);
Predrag Pudar, Montréal (CA)
- (73) Assignee: **GOLIATHTECH INC.**, Magog,
Quebec (CA)
- (**) Term: **14 Years**
- (21) Appl. No.: **29/471,021**
- (22) Filed: **Oct. 28, 2013**
- (30) **Foreign Application Priority Data**
Aug. 22, 2013 (CA) 152577
- (51) **LOC (10) Cl.** **08-08**
- (52) **U.S. Cl.**
USPC **D25/133**
- (58) **Field of Classification Search**
USPC D8/14; 52/698, 705, 651.04; 405/252.1,
405/285, 231, 228; D25/133; 175/19;
172/100
See application file for complete search history.

- D698,043 S * 1/2014 Fries et al. D25/133
- 2003/0159839 A1 * 8/2003 Perko 172/100
- 2010/0263929 A1 * 10/2010 Ditillo 175/19

* cited by examiner

Primary Examiner — Doris Clark
(74) *Attorney, Agent, or Firm* — McDonnell Boehnen
Hulbert & Berghoff LLP

(57) **CLAIM**
The ornamental design for a helix adaptor for a pile, as shown
and described.

DESCRIPTION

FIG. 1 is a perspective view of a helix adaptor for a pile, according to our new design shown connected to an end of a pile in stippled lines;

FIG. 2 is a front elevation view of the helix adaptor for a pile of FIG. 1;

FIG. 3 is a rear elevation view thereof;

FIG. 4 is a left side elevation view thereof;

FIG. 5 is a right side elevation view thereof;

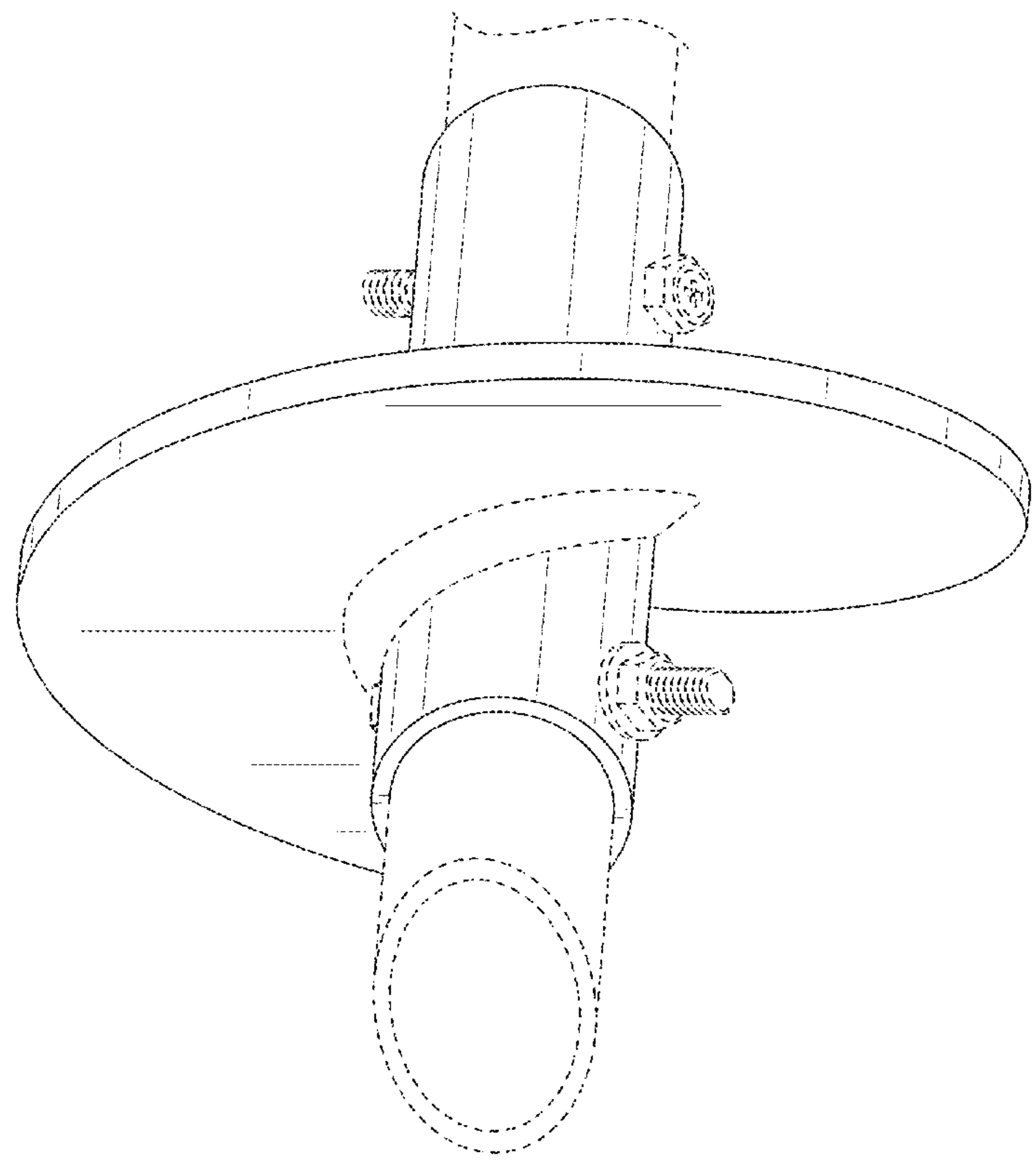
FIG. 6 is a top plan view thereof; and,

FIG. 7 is a bottom plan view thereof.

Throughout the Figures, where shown the dotted lines showing additional structure of the helix adaptor for a pile or the environment are for illustrative purposes only and form no part of the claimed design.

- (56) **References Cited**
U.S. PATENT DOCUMENTS
D634,860 S * 3/2011 Kimble D25/133

1 Claim, 7 Drawing Sheets



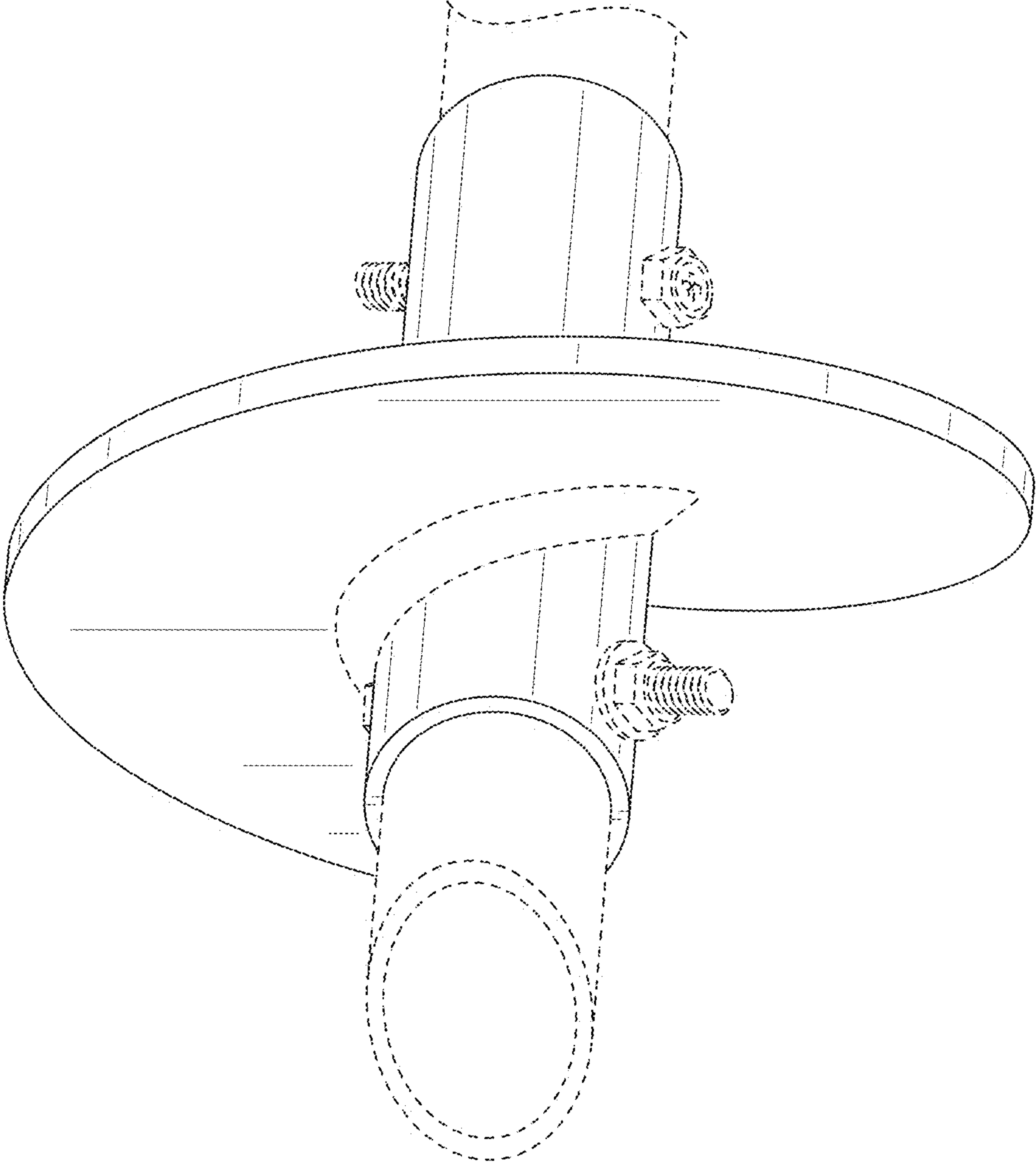


FIG. 1

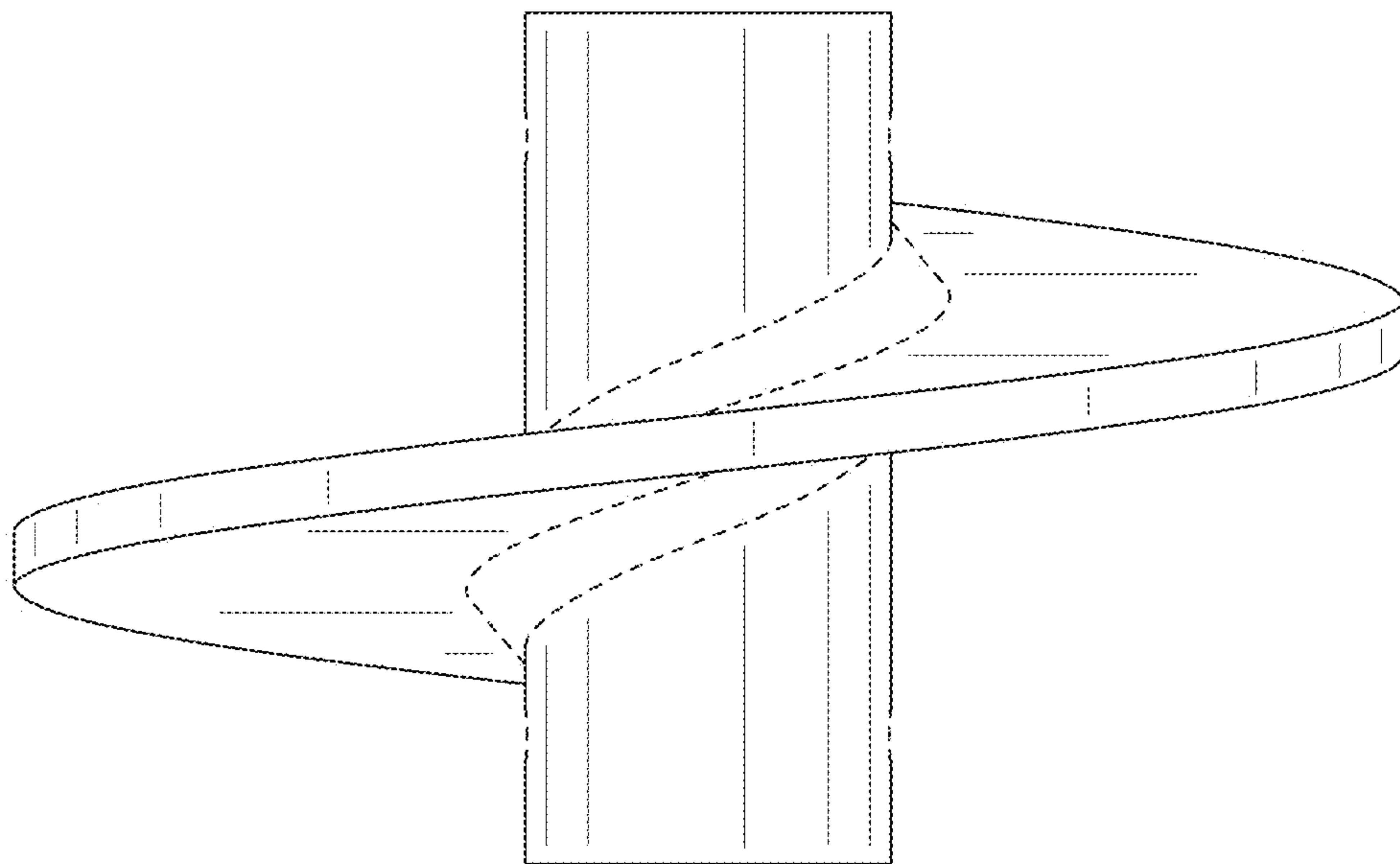


FIG. 2

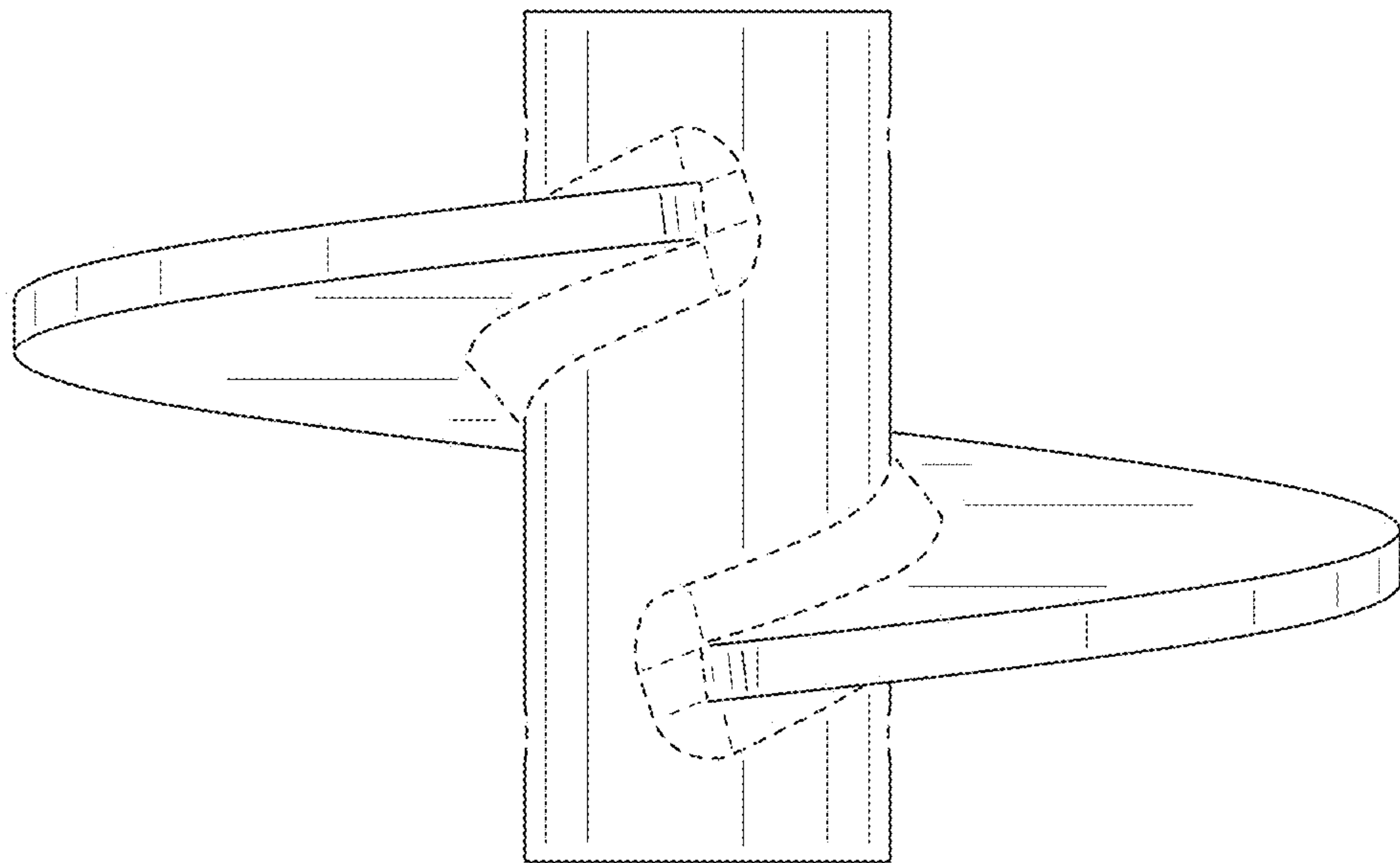


FIG. 3

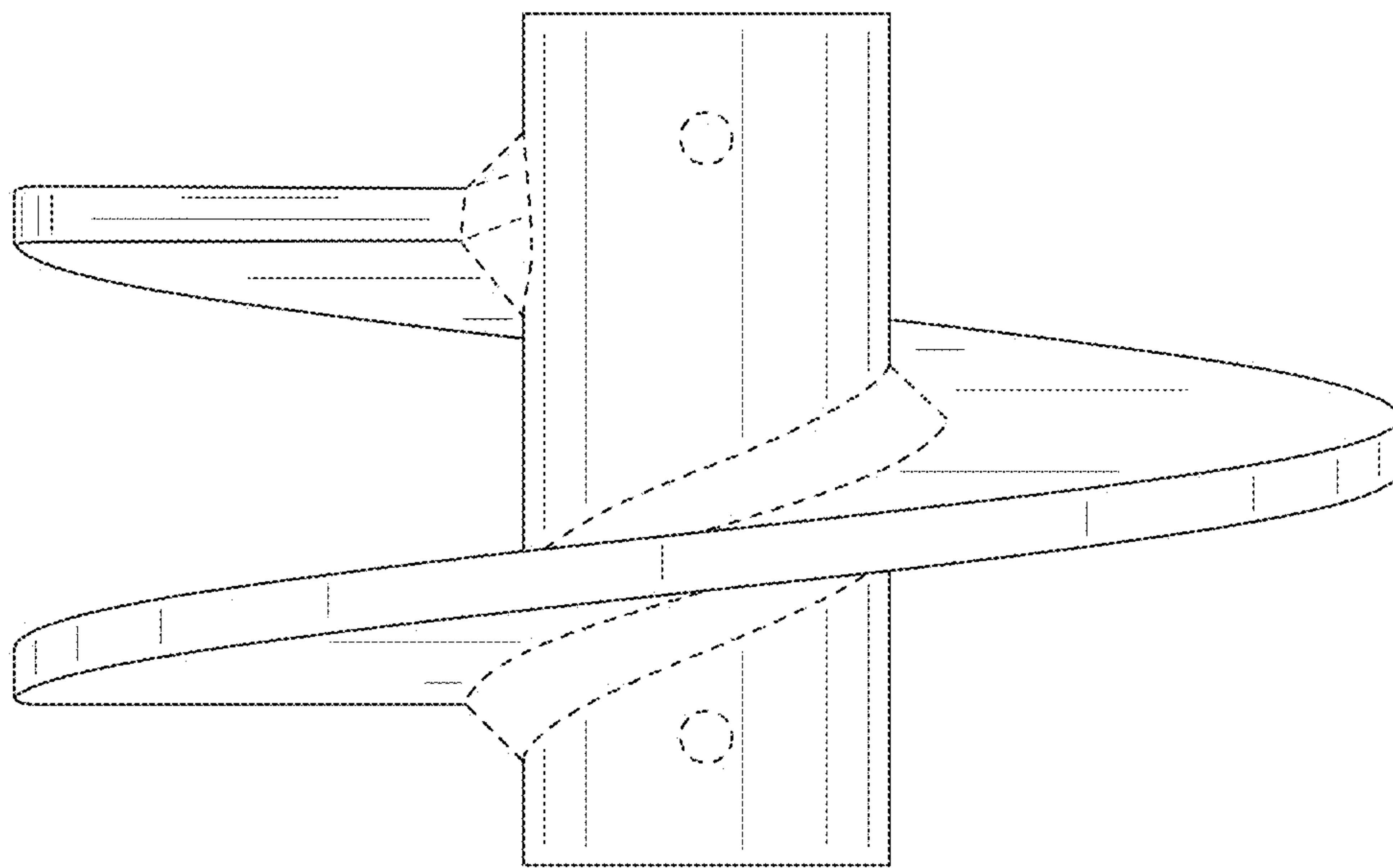


FIG. 4

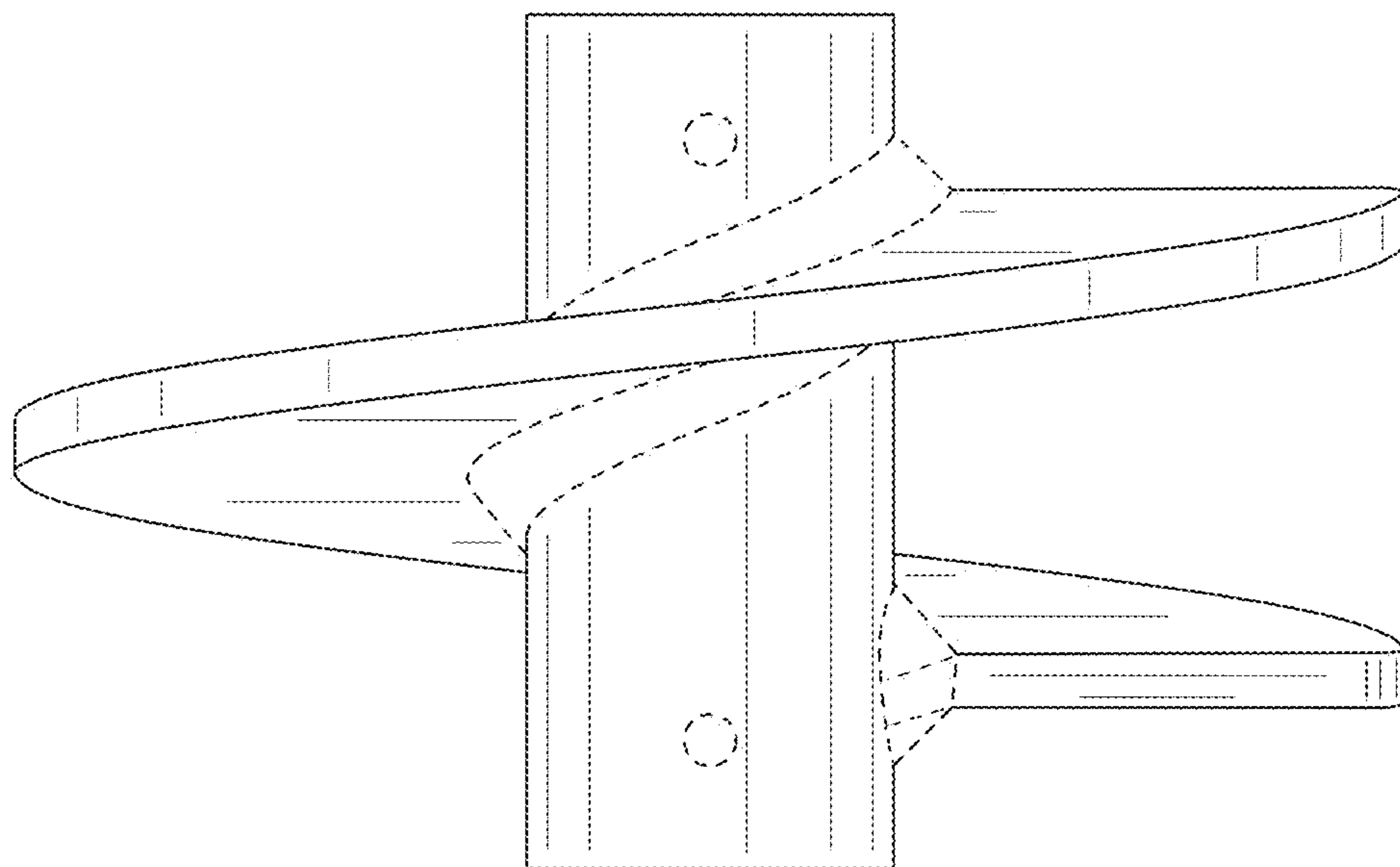


FIG. 5

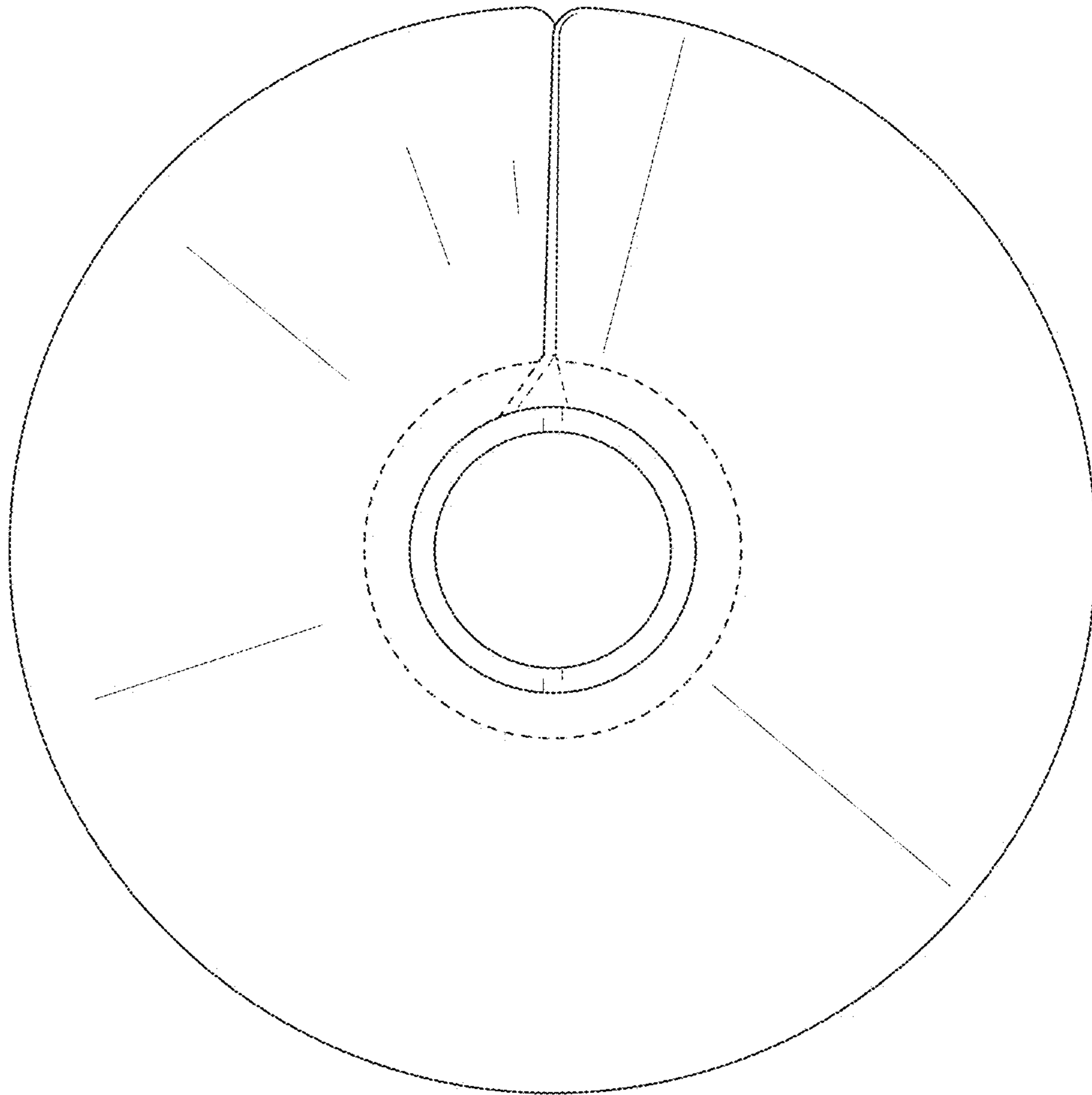


FIG. 6

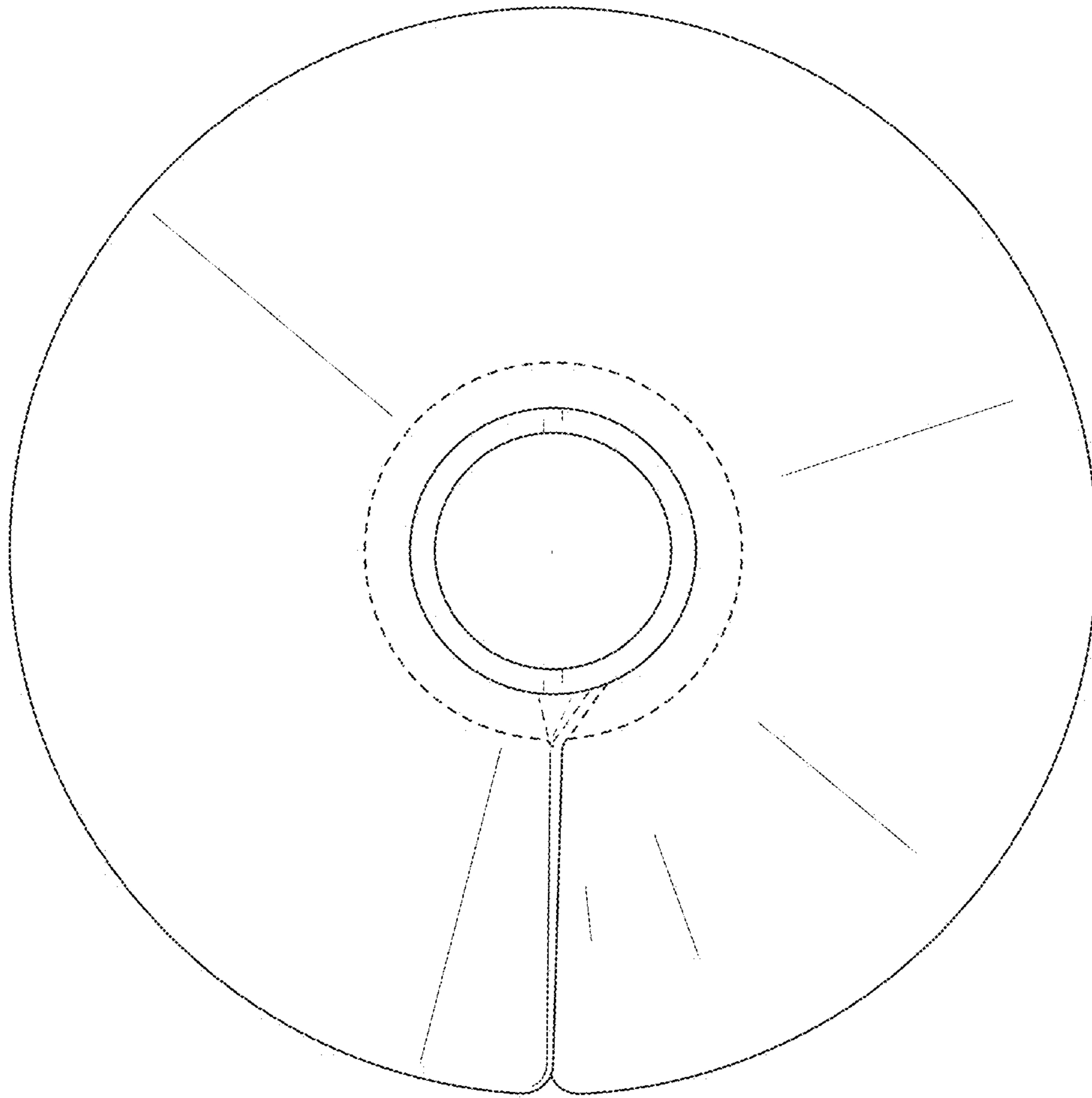


FIG. 7