



US00D735890S

(12) **United States Design Patent**
Gleason

(10) **Patent No.:** **US D735,890 S**

(45) **Date of Patent:** **** *Aug. 4, 2015**

(54) **PERMEABLE PAVER**

(56) **References Cited**

(71) Applicant: **Dwayne A. Gleason**, Riverside, CA
(US)

U.S. PATENT DOCUMENTS

(72) Inventor: **Dwayne A. Gleason**, Riverside, CA
(US)

D278,935	S	*	5/1985	Scheiwiller	D25/118
D431,305	S	*	9/2000	Barth et al.	D25/113
D509,001	S	*	8/2005	McLean	D25/113
D526,066	S	*	8/2006	Schneider	D25/113
D547,882	S	*	7/2007	Metten	D25/113
7,425,106	B2	*	9/2008	Altmann et al.	404/39
D584,424	S	*	1/2009	Schneider	D25/113
D634,859	S	*	3/2011	Barkman	D25/113
D663,439	S	*	7/2012	Edwards	D25/113
D674,115	S	*	1/2013	Merriam	D25/113
2003/0007834	A1	*	1/2003	Bolduc et al.	404/41
2012/0057933	A1	*	3/2012	Gebhart	404/41

(73) Assignee: **Orco Block Co., Inc.**, Stanton, CA (US)

(*) Notice: This patent is subject to a terminal disclaimer.

(**) Term: **14 Years**

* cited by examiner

(21) Appl. No.: **29/486,237**

Primary Examiner — Anhdao Doan

(22) Filed: **Mar. 27, 2014**

(74) *Attorney, Agent, or Firm* — Rutan & Tucker LLP; Hani Z. Sayed

Related U.S. Application Data

(62) Division of application No. 29/430,668, filed on Aug. 28, 2012, now Pat. No. Des. 704,859.

(51) **LOC (10) Cl.** **25-01**

(52) **U.S. Cl.**
USPC **D25/113**

(58) **Field of Classification Search**
USPC D25/102, 103, 106, 109, 112–118, 136,
D25/138, 152, 159–162, 164;
D21/484–491, 499–504; 405/16, 284,
405/286; 52/503–505, 574, 575, 596–612;
404/27–42

See application file for complete search history.

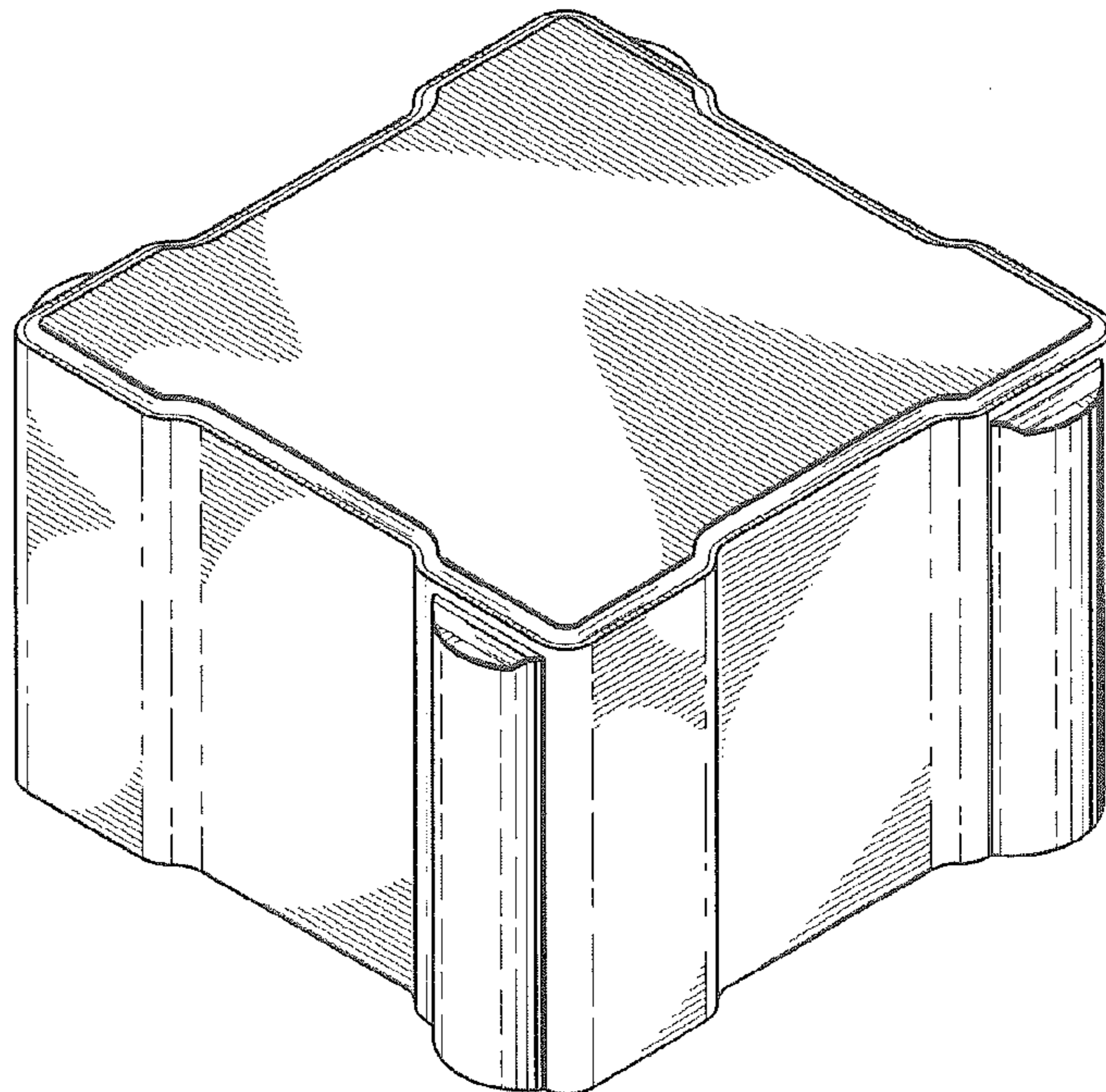
(57) **CLAIM**

The ornamental design for permeable paver, as shown and described.

DESCRIPTION

FIG. 1 is a front, left side, and top perspective view of a permeable paver showing my new design;
FIG. 2 is a front elevation view thereof, the rear, left and right side elevation views being identical;
FIG. 3 is a top plan view thereof; and,
FIG. 4 is a bottom plan view thereof.

1 Claim, 1 Drawing Sheet



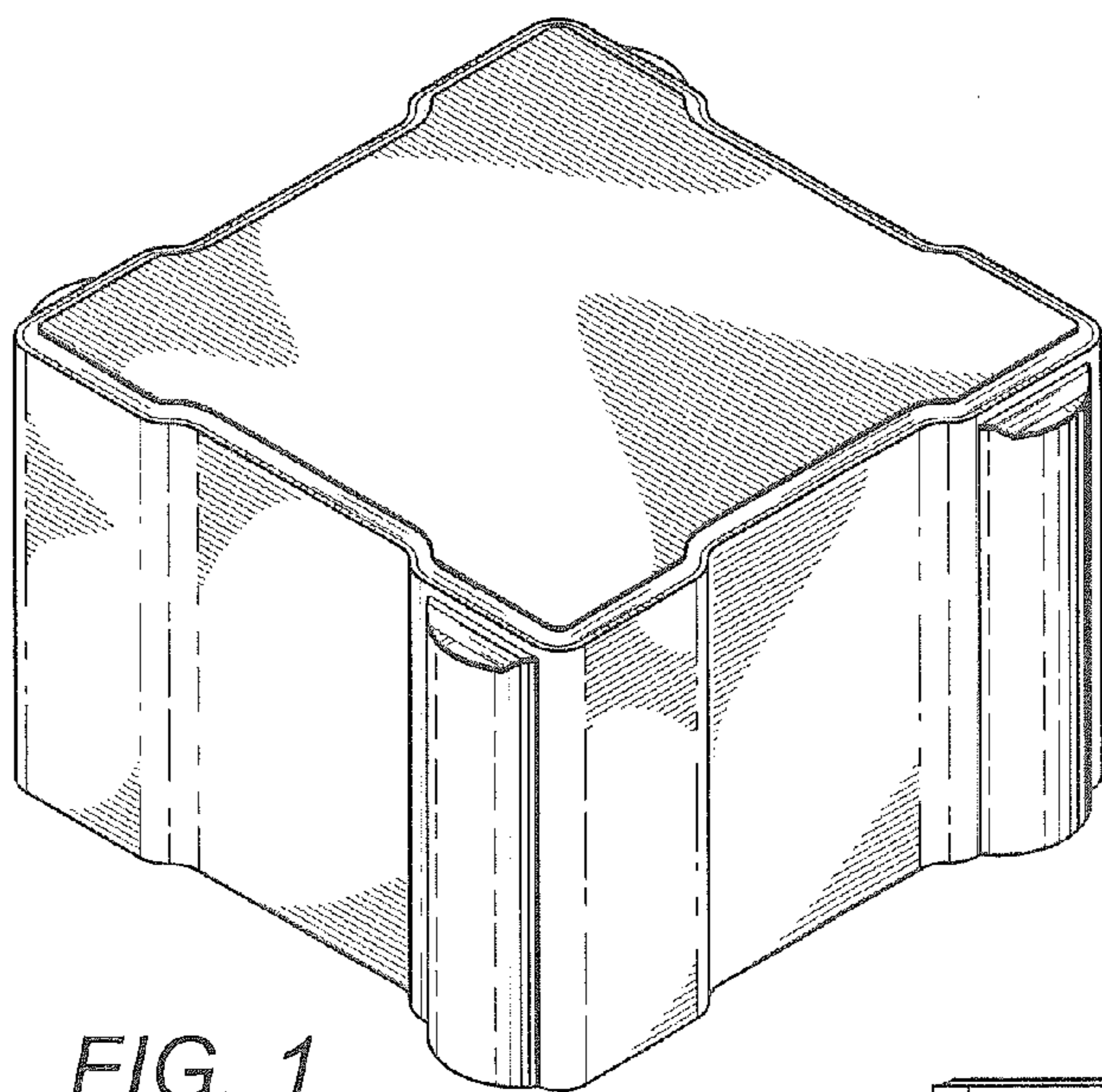


FIG. 1

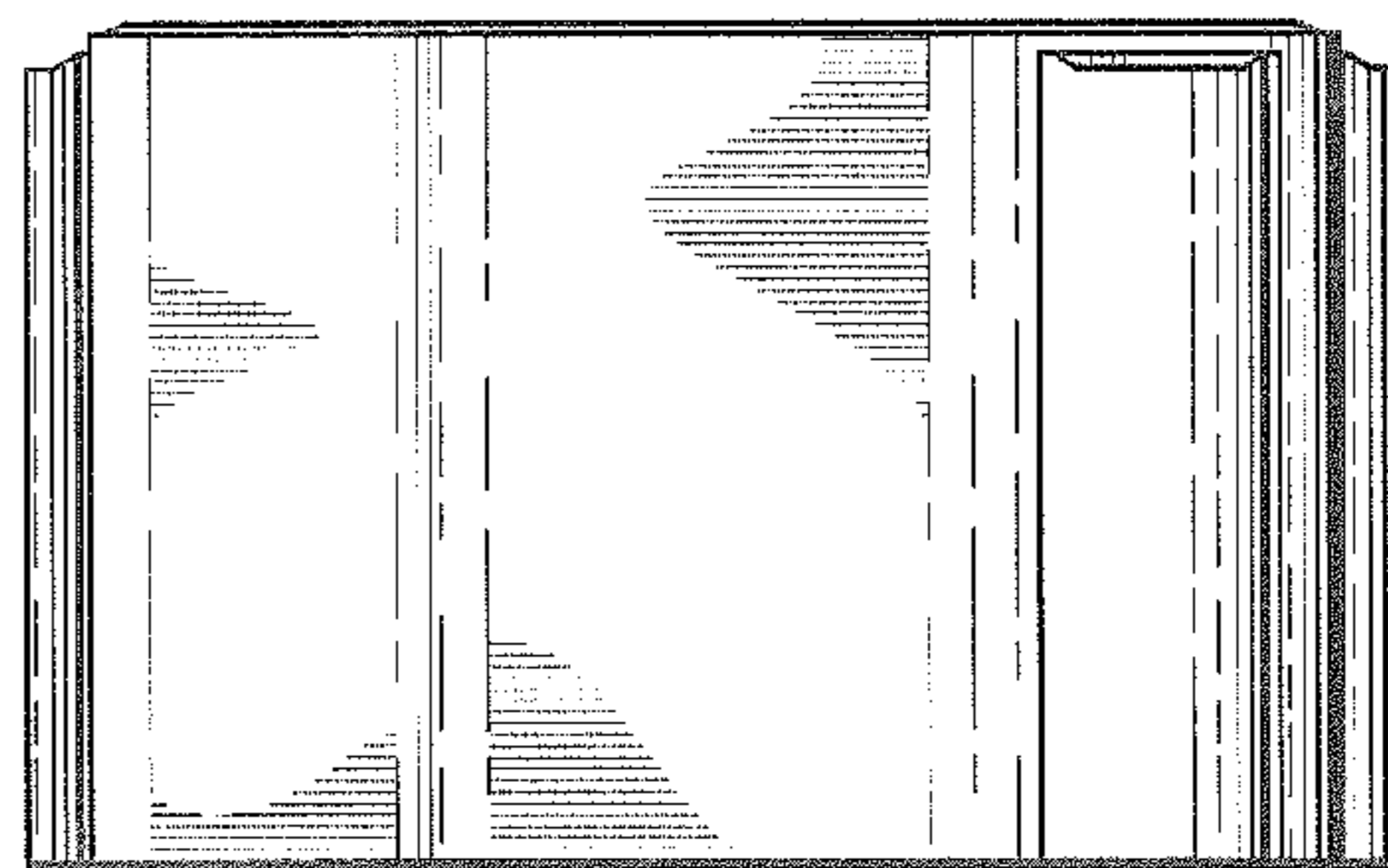


FIG. 2

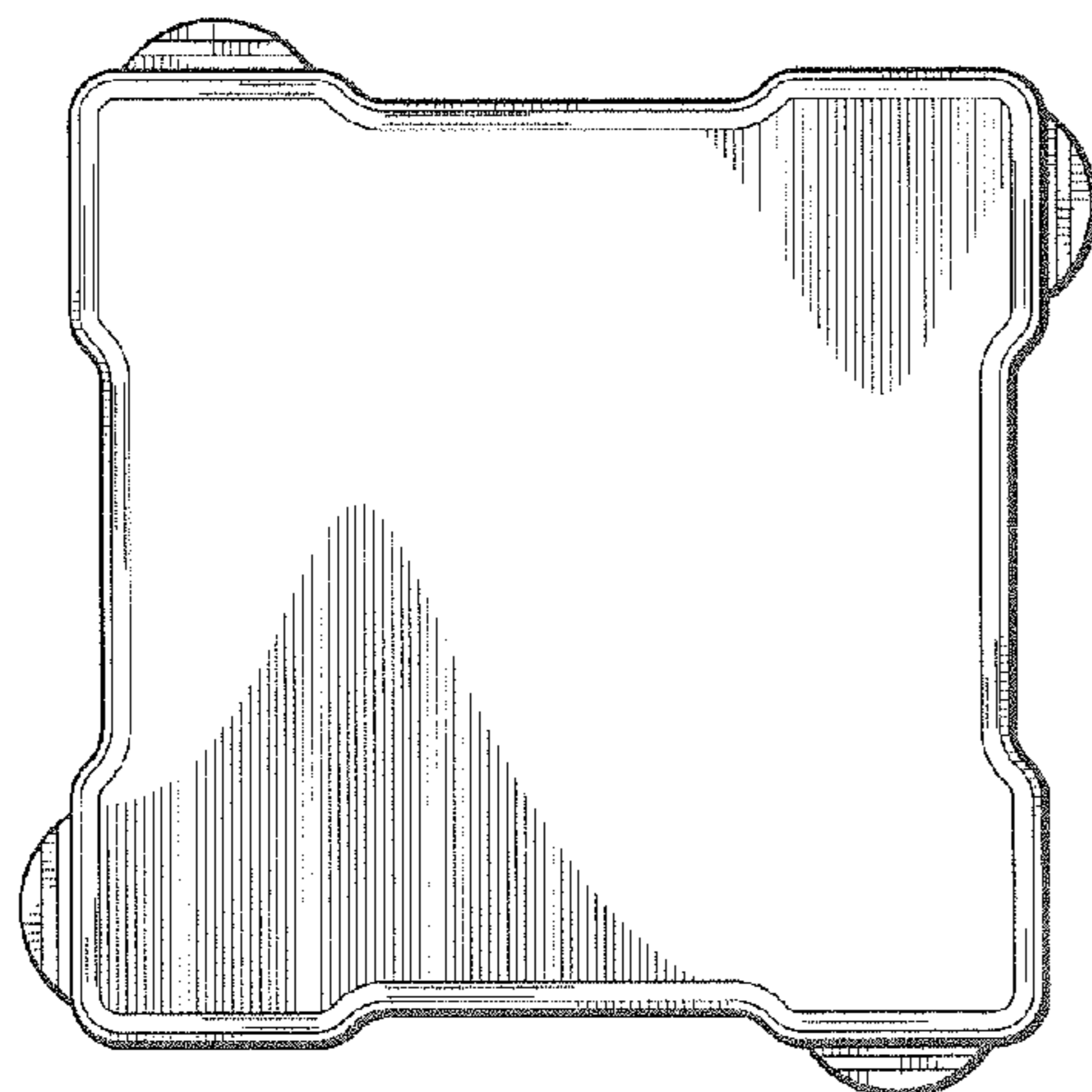


FIG. 3

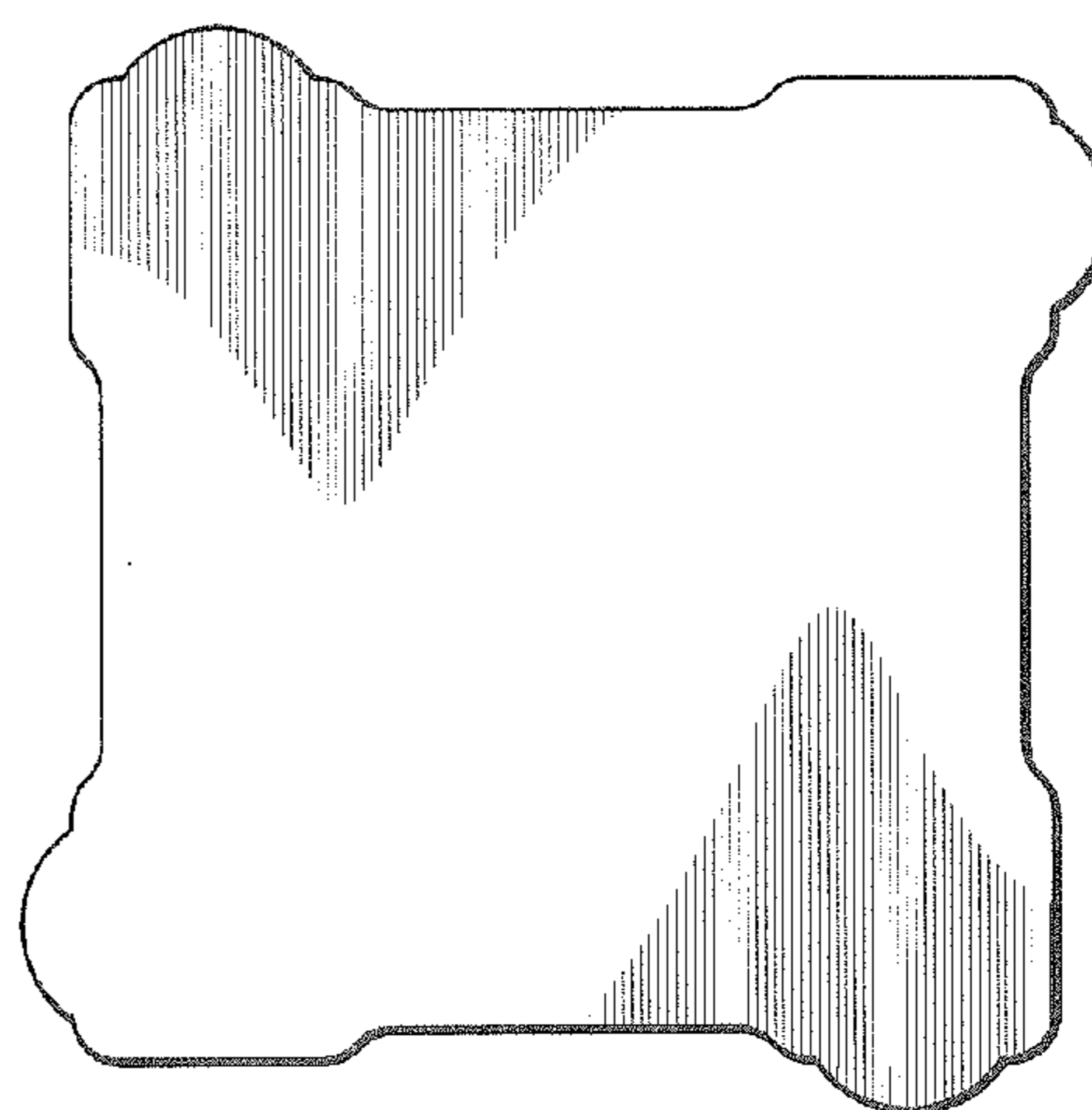


FIG. 4